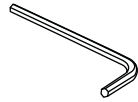


# ASSEMBLY INSTRUCTIONS

## Zia Side Table



1 Pc SMALL SCREW  
1 Pc LARGE SCREW



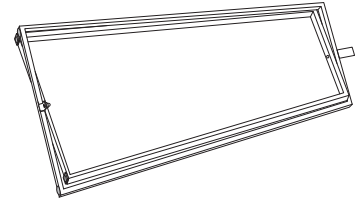
1 Pc ALLEN KEY



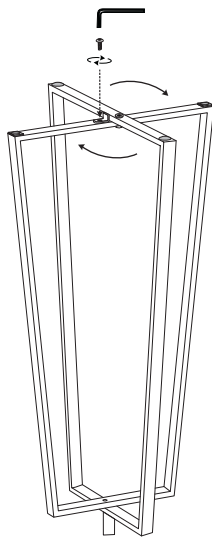
WASHER



1 PC TOP

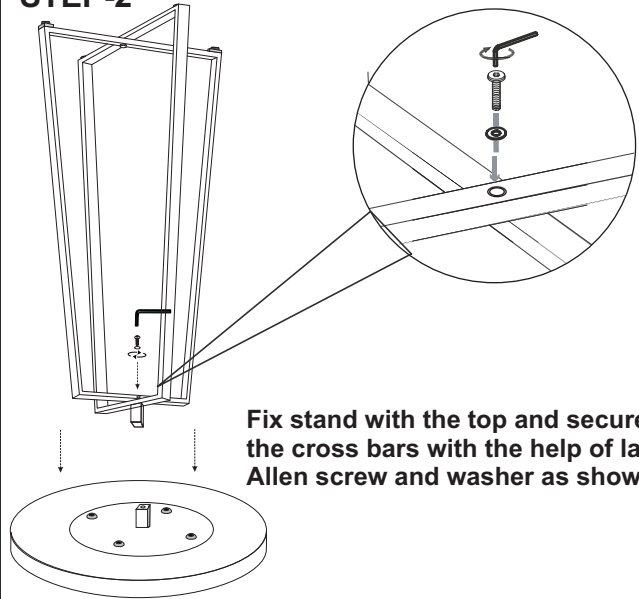


1 PC METAL STAND



Unfold the stand and secure both frames together with help of small Allen screw as shown.

### STEP-2



Fix stand with the top and secure the cross bars with the help of large Allen screw and washer as shown.

**READY TO USE**

