

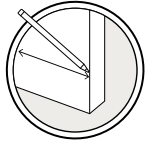
Carina

CAR - SQ135

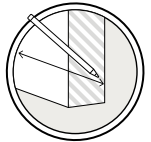
135° Glass-To-Glass Panel Clip



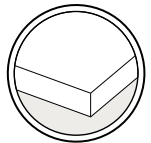
Do not measure images. Use specified dimensions.



Measure from finished edge of glass.

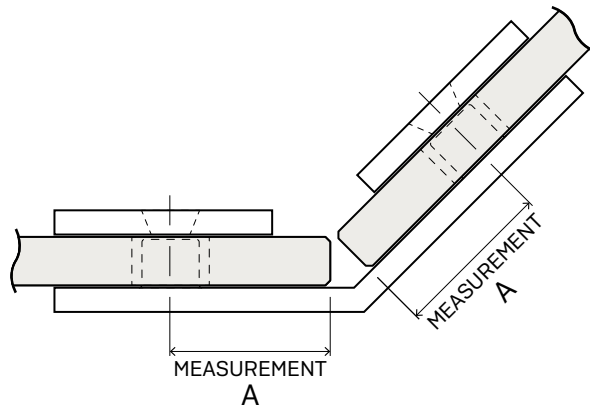


Measure from mitered edge of glass.

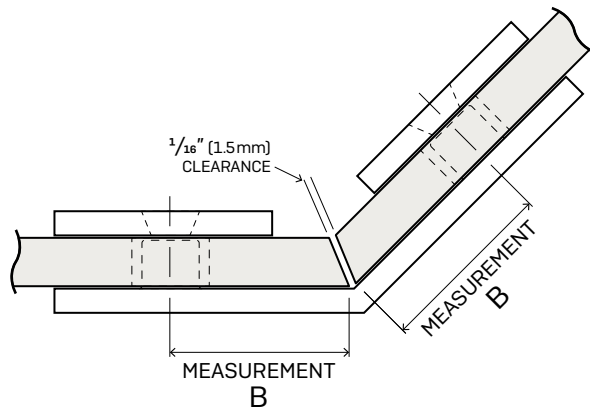


Use monolithic glass.

> Use 3/8" to 1/2" (10 to 12 mm) Thick Tempered Glass Only

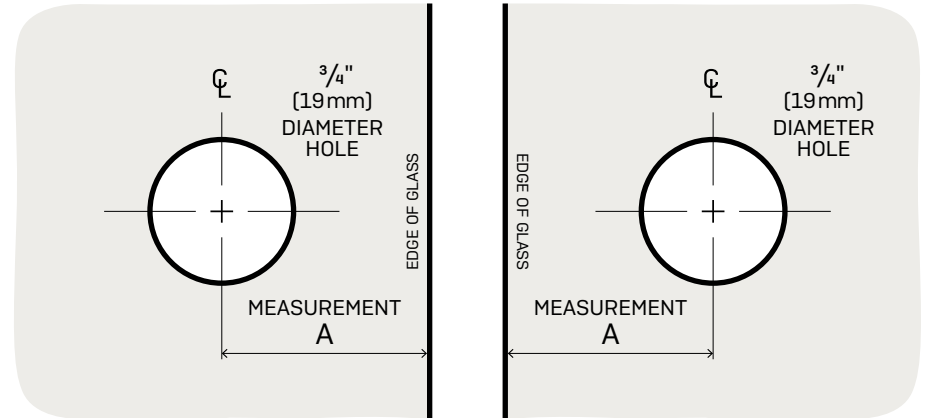


Glass Thickness	A
3/8" [10mm]	1 5/16" [33mm]
1/2" [12mm]	1 1/4" [32mm]



Glass Thickness	B
3/8" [10mm]	1 7/16" [37mm]
1/2" [12mm]	1 7/16" [37mm]

TEMPLATE OPTION FOR STANDARD FLAT POLISHED SQUARE CUT GLASS



TEMPLATE OPTION FOR 22.5° MITERED GLASS (TYPICAL INSTALLATION)

