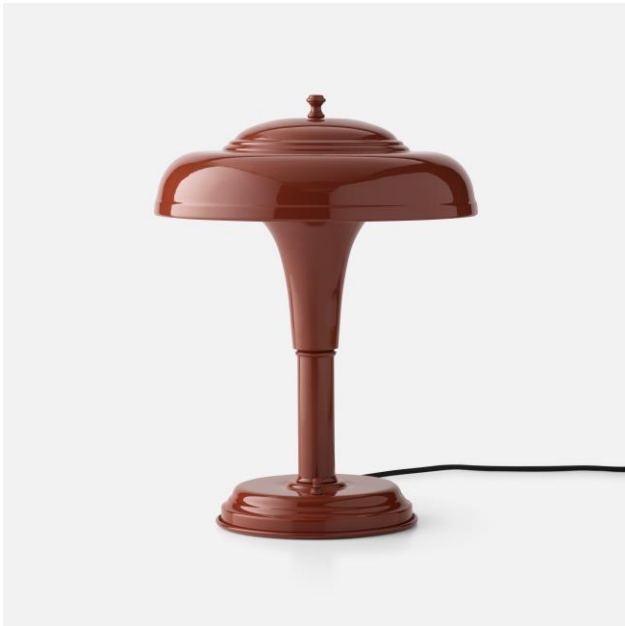


# SCHOOLHOUSE

## Graduate Lamp



**Application:** Table Lamp

**Product Origin:** Processed and assembled in Portland, Oregon using ethically-sourced domestic and global components.

**UL Listed:** Yes

**Max Wattage:** 40 W

**Voltage:** 120 Volts

**Location Rating:** Damp

**Dimensions:**

Overall: 16.125" H x 12.375" W x 12.375" D

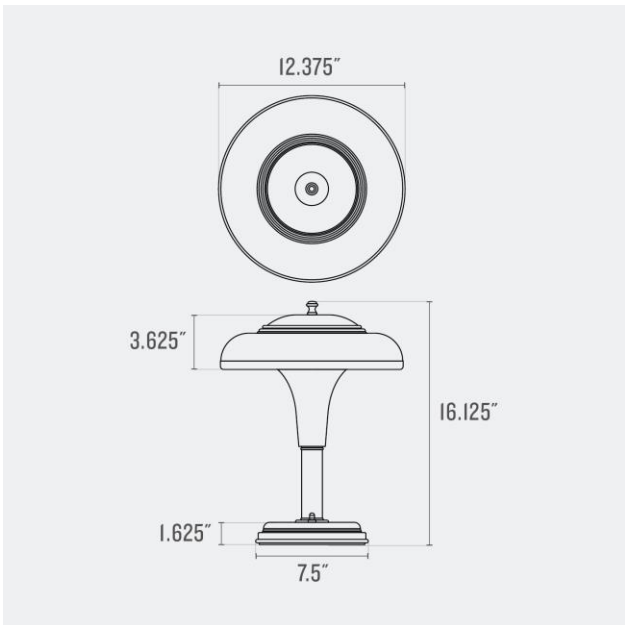
Shade: 3.625" H x 12.375" W x 12.375" D

Base: 1.625" H x 7.5" W x 7.5" D

**Materials:** Steel

**Cord Length:** 8'

One year guarantee



### Color Option(s)



Butterscotch  
(BU)



Black, Gloss  
(BkG)



Paprika, Gloss  
(PPA-G)



Lichen-Gloss  
(LN-G)

### Cord Option(s)



Black Cloth  
Covered Vinyl  
(BCV)