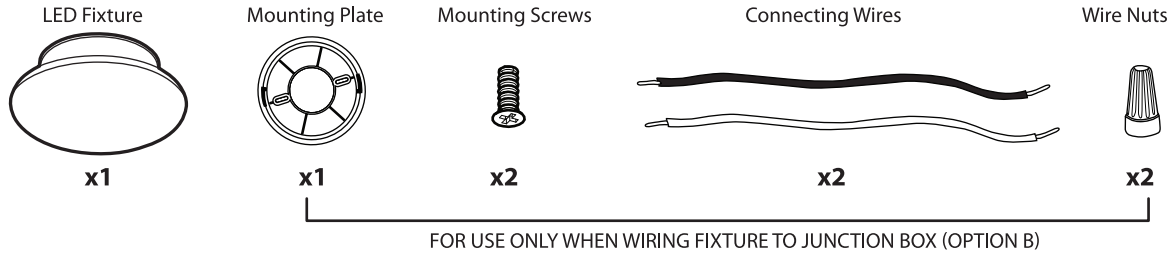


LED UTILITY LIGHT FIXTURE MANUAL

PARTS INCLUDED

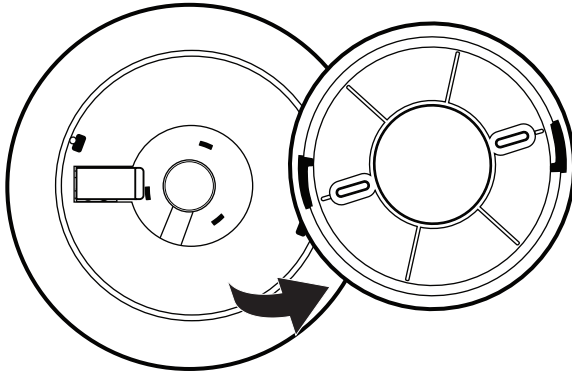


THIS DEVICE IS NOT INTENDED FOR USE WITH EMERGENCY EXITS OR PORTABLE LUMINAIRES

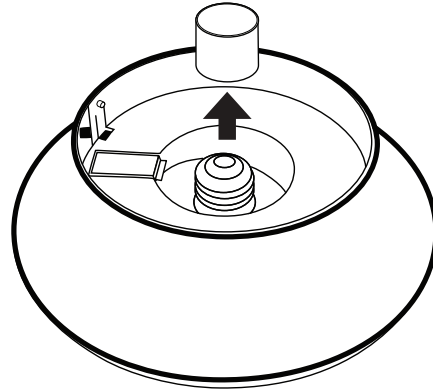
OPTION A

SIMPLY SCREW INTO EXISTING LIGHT SOCKET

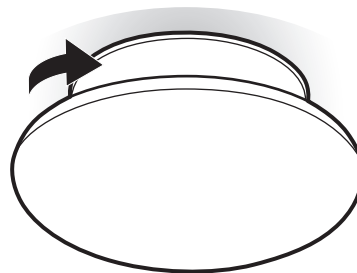
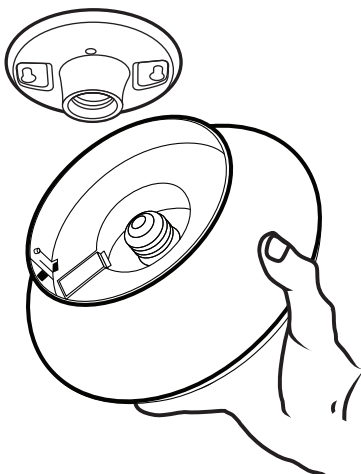
1 Remove mounting plate from fixture by turning plate counter-clockwise.



2 Remove cap to expose screw base. Note: Do not remove screw base cap if you're wiring the fixture to junction box.



3 Screw LED fixture into socket just like a light bulb.



Motion Sensor will turn fixture on when motion is detected up to 9 feet away from fixture. Fixture will turn off after 10 minutes if no motion is detected. Sensitivity of motion sensor will be affected by obstructions such as walls, doors, etc. Relocate the fixture to a different socket if obstruction prohibits operation of the sensor.





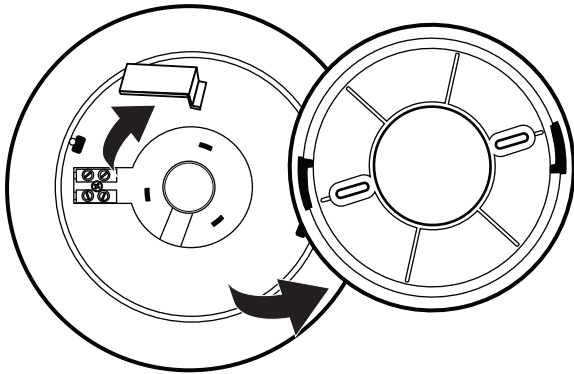
WARNING: TURN OFF THE MAIN POWER AT THE CIRCUIT BREAKER BEFORE INSTALLING THE FIXTURE IN ORDER TO PREVENT POSSIBLE ELECTRIC SHOCK.

WARNING: These products may represent a possible shock or fire hazard if improperly installed. Products should be installed in accordance with these installation instructions and current electrical codes. If you're unfamiliar with proper electrical wiring obtain the services of a qualified person.

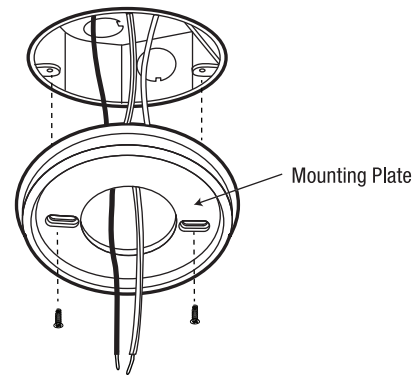
OPTION B

WIRE DIRECTLY TO JUNCTION BOX

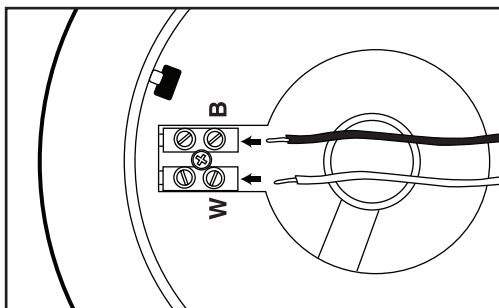
- 1** Remove mounting plate from fixture by turning plate counter-clockwise. Remove cap to expose terminal block.



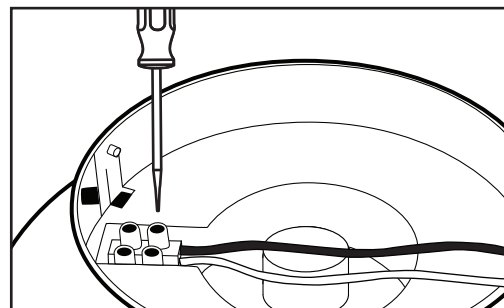
- 2** Install mounting plate to junction box, using provided screws. Make sure side labeled "faces ceiling" faces the ceiling.



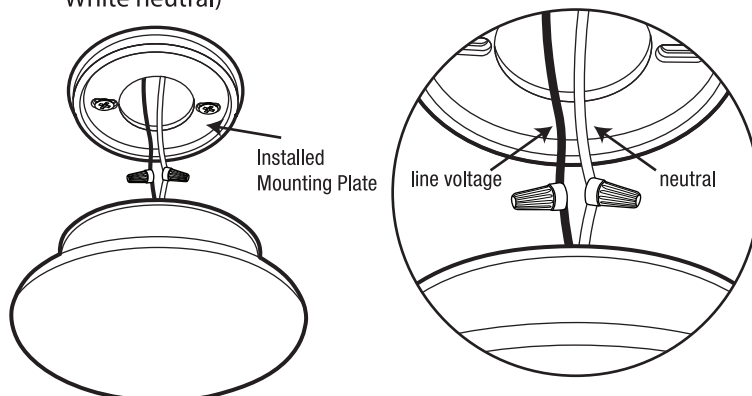
- 3** Insert provided wires into fixture terminal. Insert black wire into B slot. White wire into W slot.



- 4** Secure wires by tightening terminal screws into wires with small flat-head screwdriver.



- 5** Connect fixture wires to junction box wires using provided wire nuts. (Black line voltage, White neutral)



- 6** Line up pin guides on fixture to notches on mounting bracket and twist fixture clock-wise until it locks into place.

