

NEED HELP?
Call or Email us first

Our service team is ready to answer your questions...
1-800-265-1833 (English) / 1-800-567-2513 (French)
IN CANADA - ressalescanada@canarmna.ca - IN USA - ressalesusa@canarmna.ca

Monday – Friday
8 AM - 5 PM EST.



INSTRUCTIONS PERTAINING TO RISK OF FIRE OR INJURY TO PERSONS
READ ALL INSTRUCTIONS

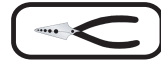
IMPORTANT SAFETY INSTRUCTIONS

SAVE THESE INSTRUCTIONS

TOOLS AND MATERIALS REQUIRED:



Phillips
Screwdriver



Wire Cutters



Pliers



Wrench

Wiring supplies
as required by
local electrical
code

SAFETY PRECAUTIONS:

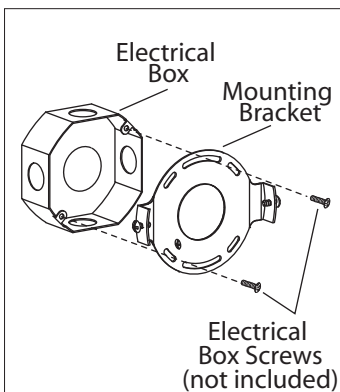
1. TURN OFF ELECTRICAL POWER BEFORE STARTING INSTALLATION OF LIGHT FIXTURE.
2. THIS PRODUCT MUST BE INSTALLED IN ACCORDANCE WITH THE APPLICABLE INSTALLATION CODE BY A PERSON FAMILIAR WITH THE CONSTRUCTION AND OPERATION OF THE PRODUCT AND THE HAZARDS INVOLVED.
3. FIRMLY ATTACH THE FIXTURE GROUND WIRE (BARE COPPER) TO THE MOUNTING BRACKET WITH THE GROUND SCREW (BY WRAPPING AROUND THE GROUND SCREW) AND THEN CONNECT IT TO THE HOUSE SUPPLY GROUND WIRE WITH A WIRE NUT.
4. REGULAR ON/OFF WALL SWITCH FOR THIS FIXTURE. IF A DIMMER WALL SWITCH IS PRESENT, REMOVE IT AND REPLACE WITH A ON/OFF SWITCH.
5. WORK TEMPERATURE: -40°F ~ 95°F (-40°C ~ 35°C)
6. TO CLEAN THE FIXTURE, TURN OFF THE POWER, WAIT FOR IT TO COOL, AND WIPE THE FIXTURE WITH A CLEAN, SOFT CLOTH.

NOTE: Product may not look exactly as shown in figures.

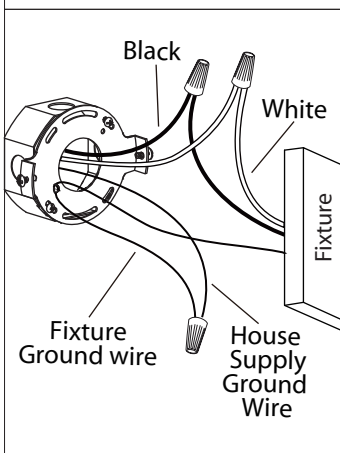
INSTALLATION:

Important to know

- This fixture requires a 120 VAC, 60 Hz power source.
- Motion sensor: turns light ON automatically when motion is detected and turns light OFF automatically when motion stops.
- Dusk to dawn sensor keeps the light OFF during the day light hours.
- Compatible with E26 A19 Dimmable LED, Edison/Vintage incandescent bulbs.

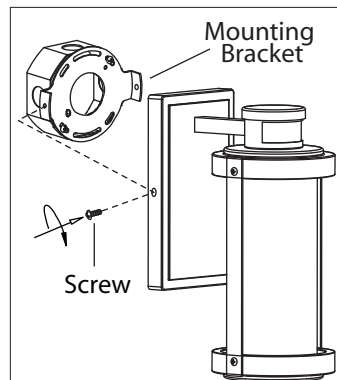


1. Mount the mounting bracket to electrical box using electrical box screws (not included).



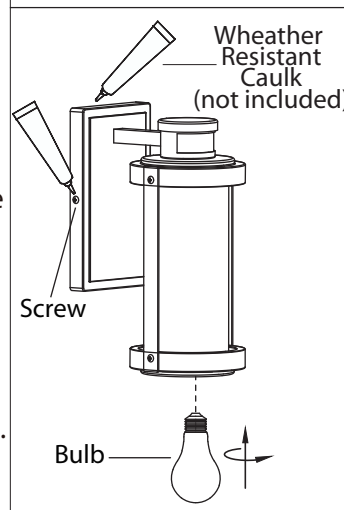
2. Firmly attach the fixture ground wire (bare copper) to the mounting bracket with the ground screw (by wrapping around the ground screw) and then connect it to the house supply ground wire with a wire nut. Connect black wire from fixture to black wire in outlet box and connect the white wire from fixture to white wire in electrical box.

3. Once connections of wires are completed, carefully tuck wires and wire nuts into the electrical box making sure no bare wire (on the black and white) is visible at the wire nuts.



4. Attach fixture to mounting bracket by tightening the 2 screws.

5. Install specified bulb type and wattage (not included).



6. After Installation, seal around the top and side perimeter between the fixture and the wall surface with weather resistant caulk. **The bottom should be left un-caulked to prevent moisture build-up.** Apply a small amount of weather resistant caulk around the side perimeter between the screws and mounting plate.

Modes of Operation

Day and Night mode:

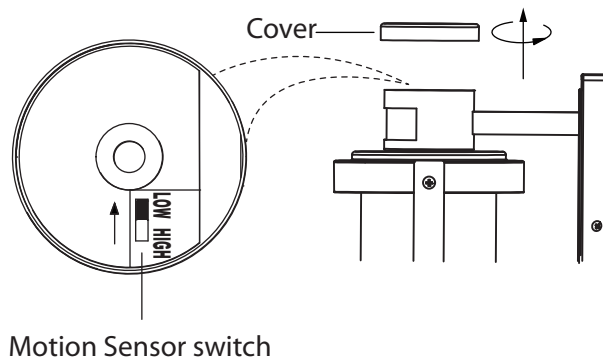
- Turn power on at the switch or at the circuit breaker (dependent on your installation), light will turn on.
- Wait approximately 20 seconds as the sensor warms up, light will now move into Test mode.
- While in Test mode Light will turn on at the lowest level (30% brightness).
- When motion is detected, light will turn on at the highest level (100% brightness), light will stay on at highest level as long as the motion continues. (Note, a red LED on motion sensor flashes when motion is detected)
- When the motion stops, wait 5 seconds, light will return to its lowest level (30% brightness).

Note: Test mode will take approximately 2 minutes, when complete light will go into Auto mode.

Night mode:

- At dusk, light turns on in low light setting (30%). When motion is detected, the light will go into its high light setting (100%).
- Light will stay at high level brightness until motion stops, after 2 minutes with no motion, light will revert to its lowest level (30%). (Note, a red LED on motion sensor flashes when motion is detected)
- At dawn when daylight is detected the light will turn off within 1 minute.

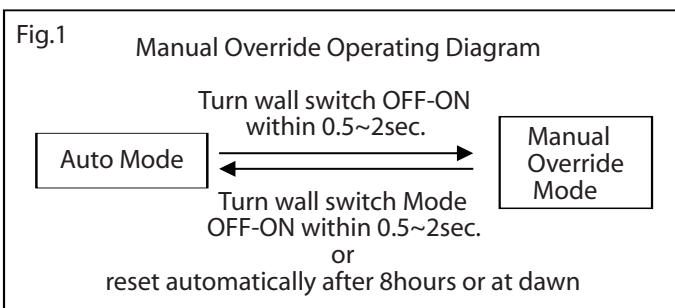
Note: If you don't want low brightness, turn the motion sensor switch on the top of the fixture from "HIGH" to "LOW" level .



Manual override:

- To switch from Auto to manual override mode, turn the wall switch "OFF"; and back "ON" within 2 seconds. In manual mode the light will stay on approximately 8 hours or until the Dusk-to-Dawn sensor detects light in the morning. (See Fig.1)

Note: To keep the light functioning normally in Auto mode, always leave the wall switch in the "on" position.



Performance:

- For optimum performance, this fixture should be mounted 4.9-6.5 feet (1.5~2m) above the ground, 32.8 feet (10m) detection is possible if sensor view is clear.
- Light sensor has an average viewing range of 180 degrees.
- Light sensor will react quicker to motion across its path than motion directly towards it.
- Clean the sensor regularly to assure maximum sensitivity.

Note: For optimum performance, mount this light as far as possible from a known heat source (Furnace vent/ Air conditioner) or facing in the direction of a reflective surface or a light source.

Troubleshooting

Symptom	Possible Cause	Solution
Light doesn't work in Test Mode.	Wall switch or circuit breaker is off. Incorrect wiring.	Turn on a switch or circuit breaker. Check wire connections.
Light fixture does not turn on when there is motion.	Wall switch or circuit breaker is off.	Turn on a switch or circuit breaker.
Light does not come on in any mode.	Incorrect wiring. Bulb is dead or possibly loose.	Check wire connections. Replace bulb, tighten as required.
Light fixture does not turn on in early evening. Light does not work correctly at dark.	Light from another source interferes with the sensor. Excessive light from Sun, street lamp interfering with sensor.	Remove/block/cover interfering light or reflective surface. Relocate to fixture away from the light source.
Light stays at 100% brightness.	False trigger caused by heat source, AC unit.	Eliminate/deflect any heat source or relocate light fixture.
Light fixture comes on during daytime or too early before dusk.	Light fixture may be installed in a shady area.	If possible remove interference causing shade, relocate fixture.
Light bulb flickers when operating at low level (30%).	Light bulb is non dimmable or not operating correctly.	Replace light bulb with correct type.
Light stays on after dawn when in manual over ride.	Ambient light level is too low for the sensor to work correctly.	Correct any lighting issues and or relocate fixture.