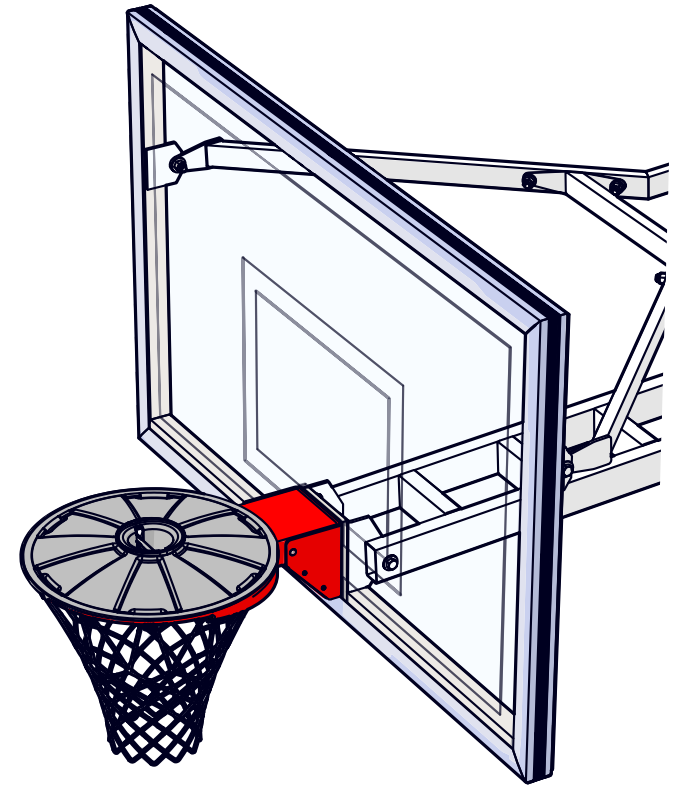




RIM BLOCKER

MODEL NO.  
**B2699**



**Please Do Not Return This Product to the Store!**

Contact Escalade® Sports customer service department at:  
 Phone: 1-888-USA-GOAL Toll-Free!  
 Fax: 1-866-873-3536 Toll-Free!  
 E-mail: [customerservice@escaladesports.com](mailto:customerservice@escaladesports.com)



Escalade® Sports products may be manufactured and/or licensed under the following patents.  
 6120397, 5816957, 5769744, 5119741, 4911085, 4717157, D460140, D420563, 8414431  
 Additional patents may be pending. One or more of the listed patents and/or pending patents may cover specific product.

---

## PRE - ASSEMBLY TIPS

---

1. **Read this manual carefully before starting assembly.** Read each step completely before beginning each step.
2. **Some smaller parts may be shipped inside larger parts. Check inside all parts and cartons before assembling or ordering parts.**
3. **To make assembly easier, use the Hardware Identifier on page 3 to identify and sort all parts. Check all cartons for kits. All hardware may not be located in one kit.**
4. **Do not tighten until instructed to do so. If parts are tightened too soon, parts may not easily fit together. Leave nuts slightly loose until you are instructed to tighten them.**
6. **Save these instructions and your proof of purchase (receipt) in the event that the manufacturer has to be contacted for replacement parts.**

### Required Tools:

- Ladder
- Lock

**ESCALADE<sup>®</sup>**  
**S P O R T S**

### **Please Do Not Return This Product To The Store!**

Contact Escalade<sup>®</sup> Sports customer service department at:

Phone: 1-800-USA-GOAL Toll – Free !

Fax: 1-866-873-3536 Toll – Free !

E-mail: [basketball@escaladesports.com](mailto:basketball@escaladesports.com)

### Escalade Sports

Physical Location: Mailing Address: (Correspondence Only)

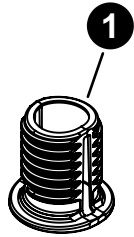
817 Maxwell Ave.

PO Box 889

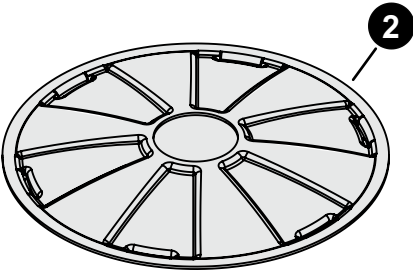
Evansville, IN 47711

Evansville, IN 47706

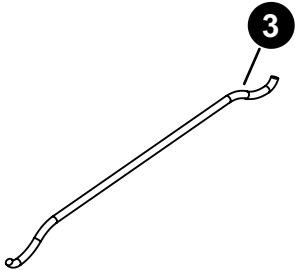
PARTS LIST (NOT ACTUAL SIZE)



SCREW  
3M-9132-00  
QTY. 1



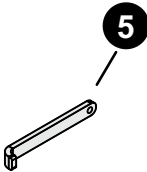
RIM COVER  
3M-9131-00  
QTY. 1



CROSS BAR  
2S-9477-00  
QTY. 1

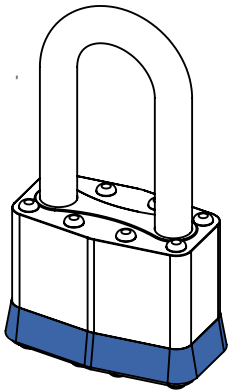


NUT  
3M-9133-00  
QTY. 1



LOCK BAR  
2S-9478-00  
QTY. 1

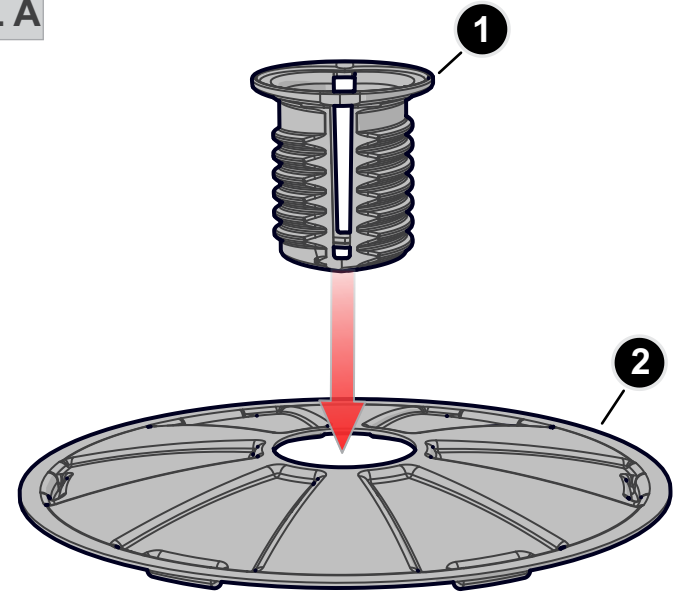
**\*Lock not included**



Recommended shackle size: 1/4" Diameter

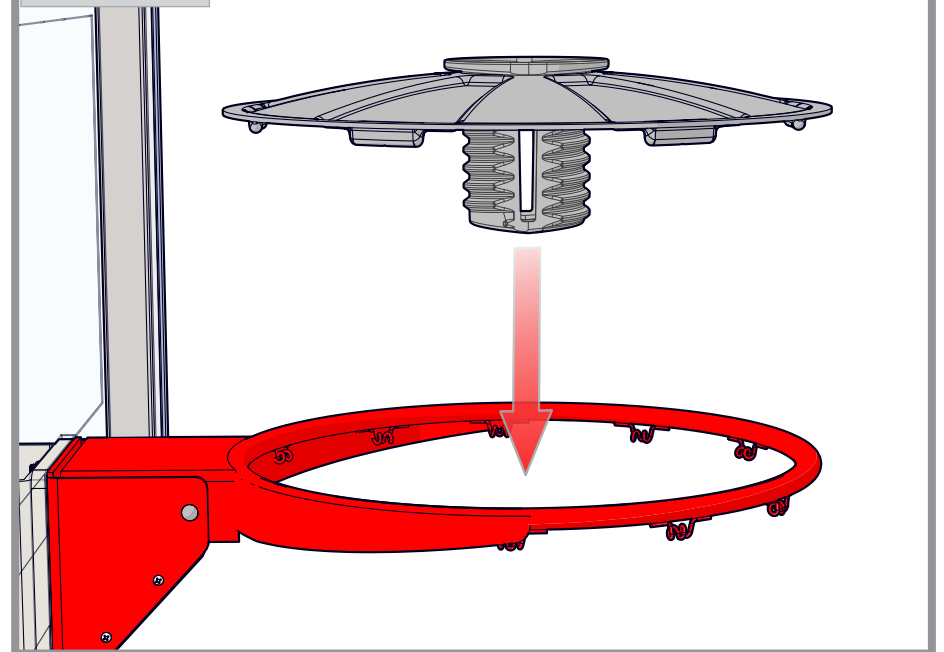
1. Insert Screw (#1) into Rim Cover (#2) as shown in **Detail A**.

**DETAIL A**



2. Place Rim Cover assembly centered on the Rim as shown in **Detail B**.

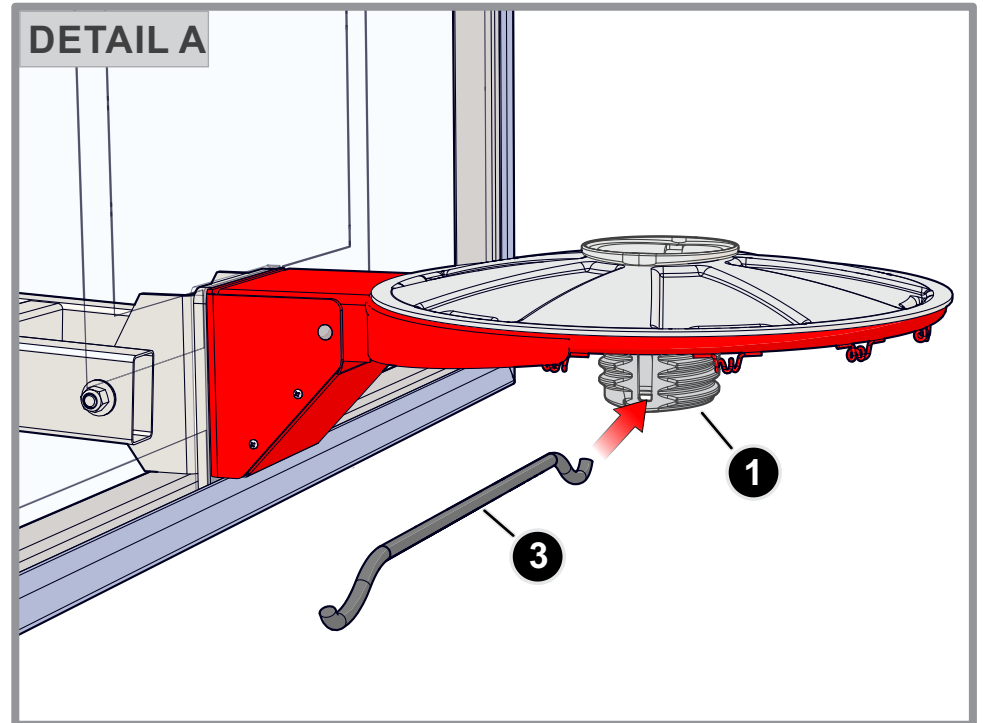
**DETAIL B**



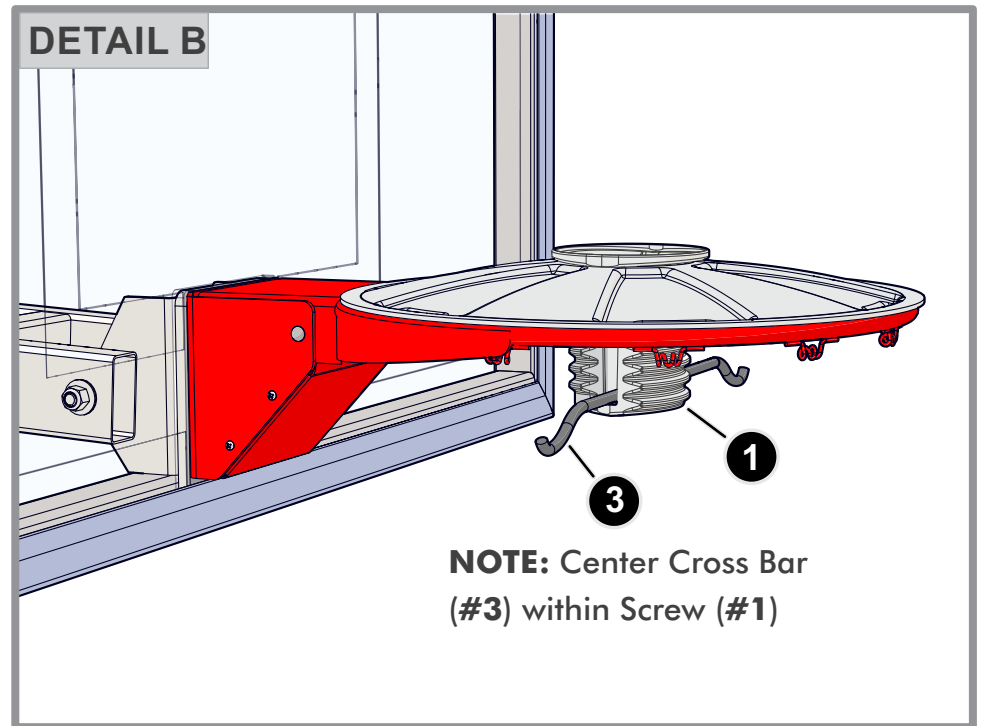
**NOTE**

NET IS NOT SHOWN FOR CLARITY, Rim Blocker can be installed with net attached to Rim.

3. Insert Cross Bar (#3) through the Screw slot as shown in **Detail A**.



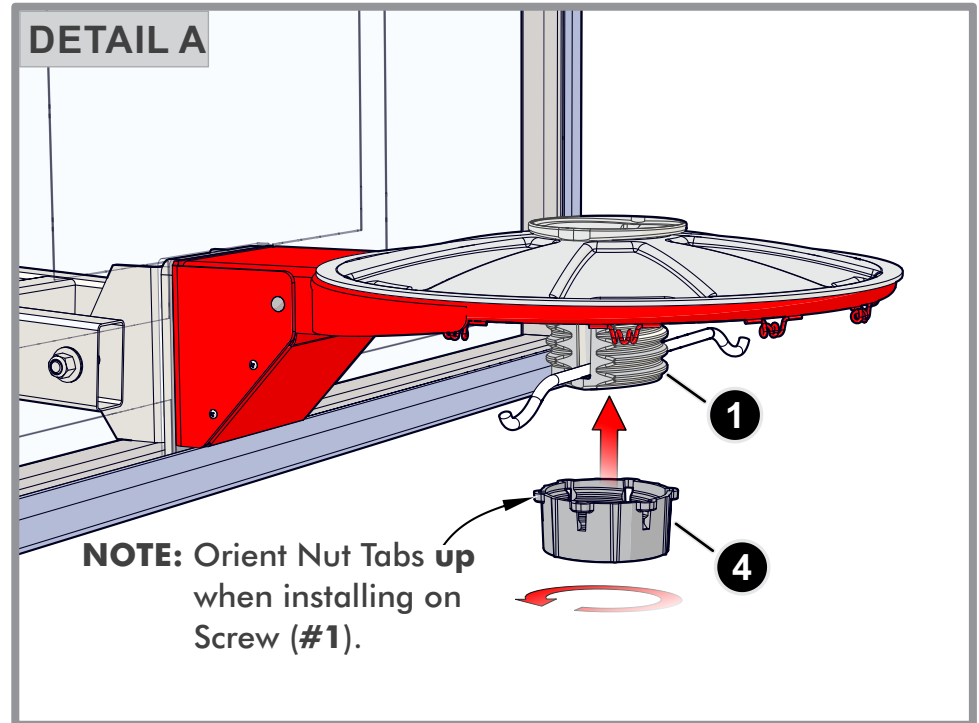
4. Center Cross Bar (#3) within the Screw (#1) as shown in **Detail B**.



5. Screw Nut (#4) onto Screw (#1) as shown in **Detail A**.

**NOTE**

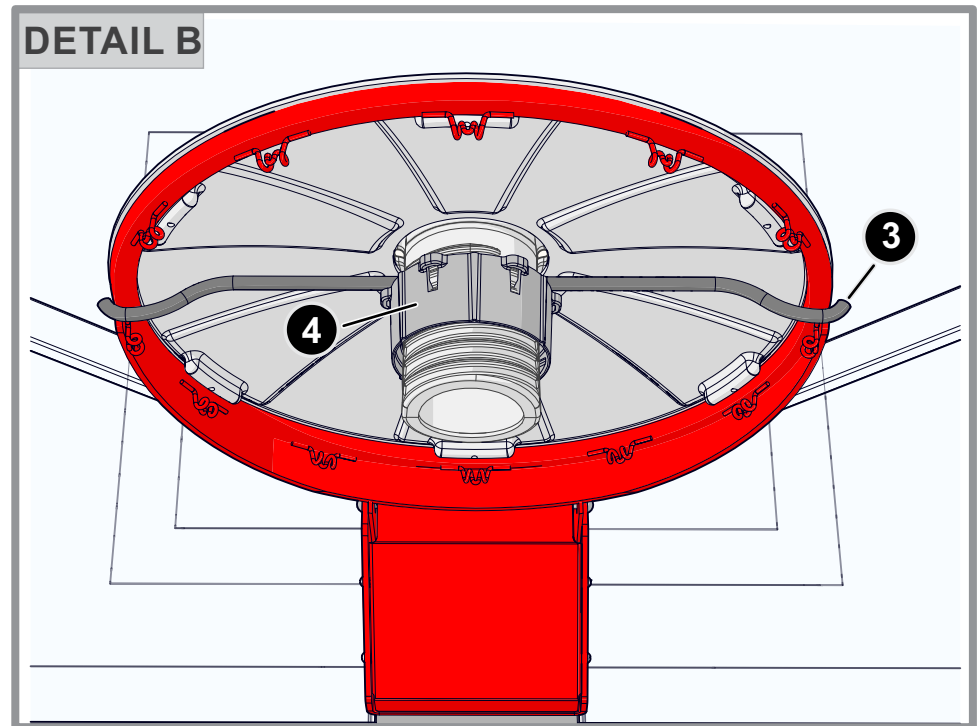
Orient Nut tabs up when installing on Screw (#1).



6. While keeping the Cross Bar (#3) centered, tighten the screw (#4) until the rim is firmly clamped between the Cross bar and the Rim Cover. See **Detail B**.

**NOTE**

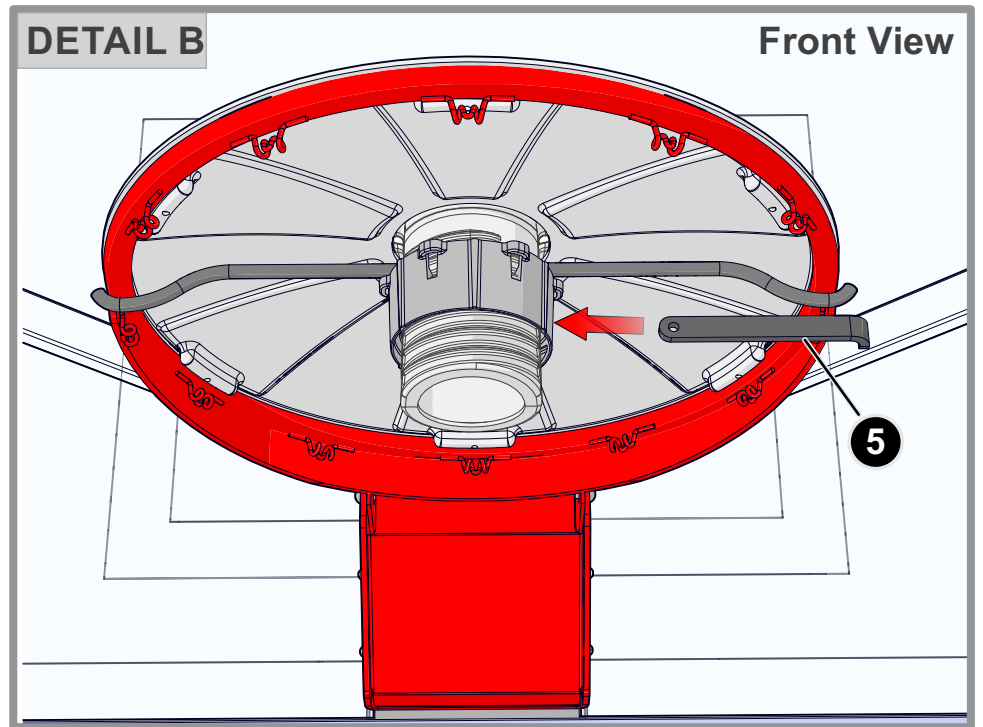
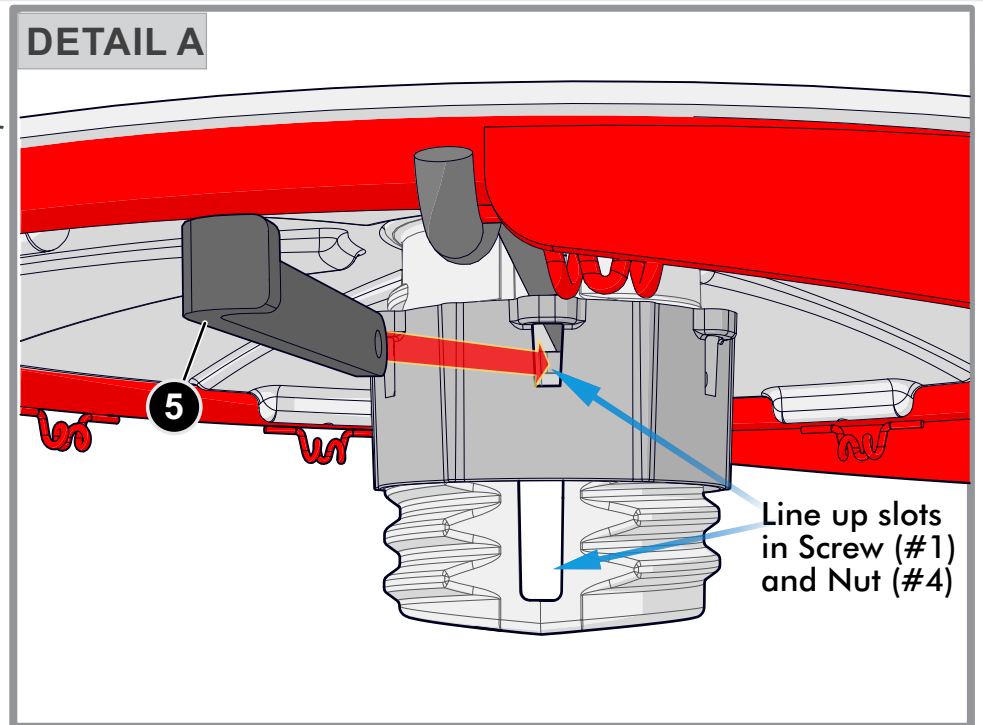
**DO NOT** overtighten Nut (#4) to Screw (#1) this could damage the parts.



7. Line up slots in Screw (#1) and Nut (#4). Then, insert Lock Bar (#5) through the Nut slot. See **Detail A.** & **Detail B.**

**NOTE**

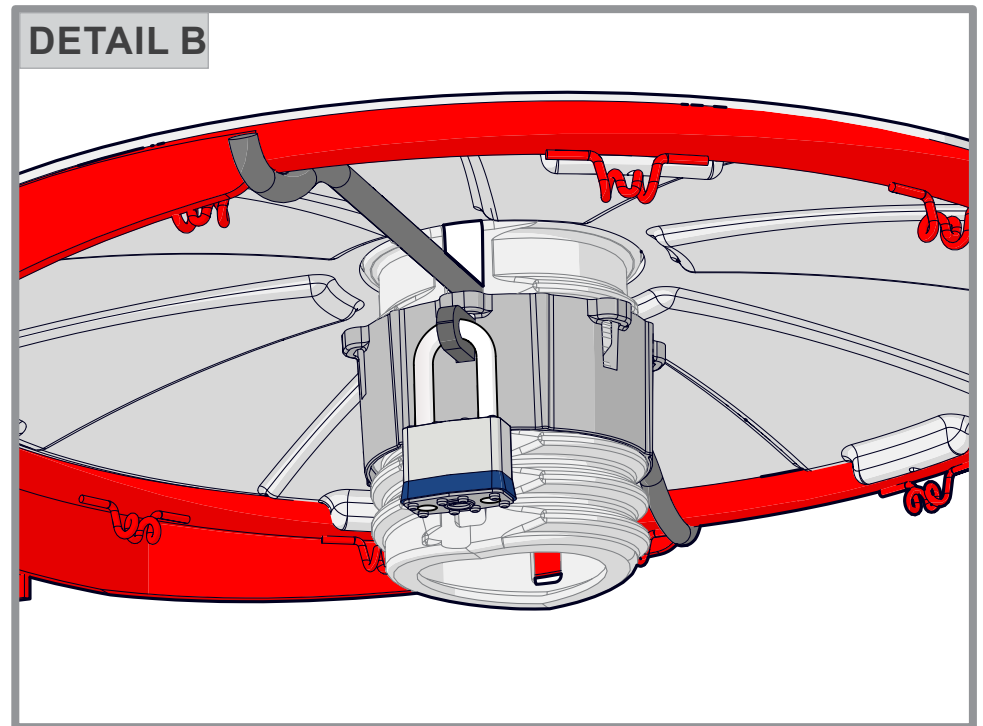
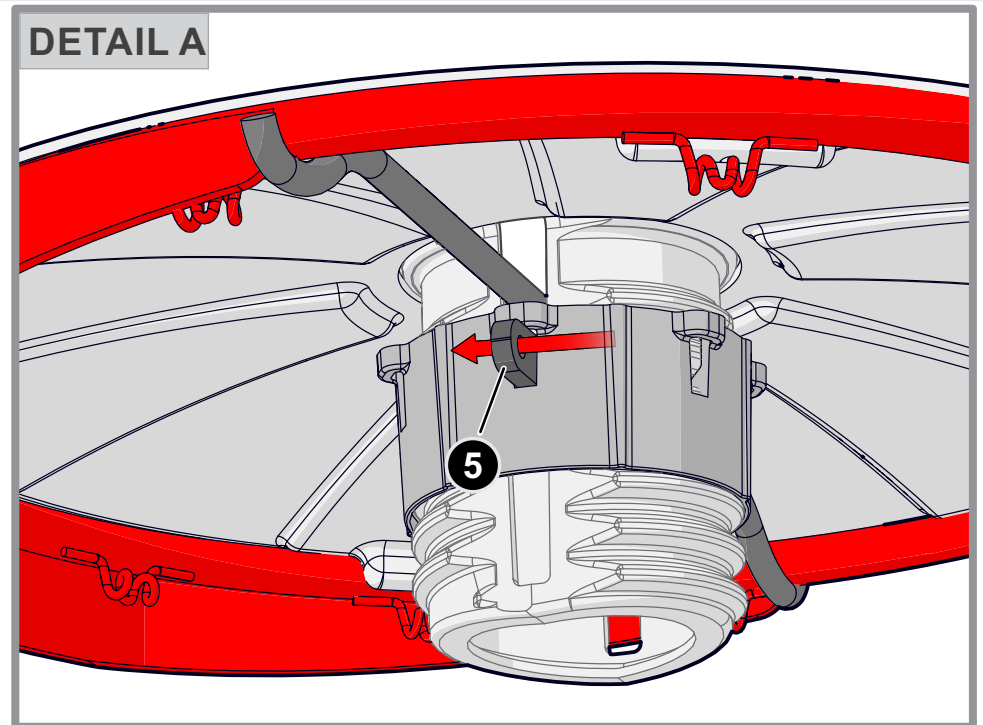
Nut (#4) may have to be loosened slightly to line up slots.



### LOCKOUT FEATURE:

A lock can be purchased from a local hardware store to lock the Rim Blocker and prevent undesired play.

8. Insert lock shackle through the Lock Bar (#5) to lock the Rim Blocker. See **Detail A** & **Detail B**.





## **90 DAY LIMITED WARRANTY**

**WARRANTY COVERAGE:** Escalade® Sports warrants to the original Consumer Purchaser that any Product of its manufacture is free from defects in material and workmanship. THIS WARRANTY IS VOID IF THE PRODUCT HAS BEEN DAMAGED BY ACCIDENT, UNREASONABLE USE, NEGLIGENCE, IMPROPER SERVICE, FAILURE TO FOLLOW INSTRUCTIONS PROVIDED WITH THE PRODUCT OR OTHER CAUSES NOT ARISING OUT OF DEFECTS IN MATERIAL OR WORKMANSHIP.

### **NOT COVERED BY THIS WARRANTY**

- Any merchandise subjected to abuse, negligence, improper installation, vandalism, acts of God, alteration of product, or any other events beyond the control of Escalade® Sports.

**Contact Escalade Sports Customer Service department at:**

Phone: 1-888-872-4625      Warranty Dept.

Or Write Escalade® Sports at: Escalade® Sports - P.O. Box 889, Evansville, IN 47706 - Attn: Warranty Dept.

Or E-mail us at: [basketball@escaladesports.com](mailto:basketball@escaladesports.com)