

# Installation and Care Guide

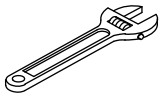
## Volume Control Valve

Français, page "Français-1"  
Español, página "Español-1"

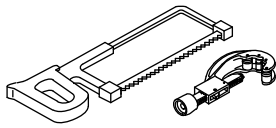
1205547-2-B

THE BOLD LOOK  
OF **KOHLER**®

## Tools and Materials



Adjustable  
Wrench



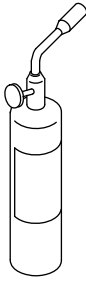
Hacksaw or  
Tubing Cutter



Sealant Tape



Solder



Propane  
Torch

### Plus:

- 1/2" or 3/4" nominal copper tubing & fittings

## Before You Begin



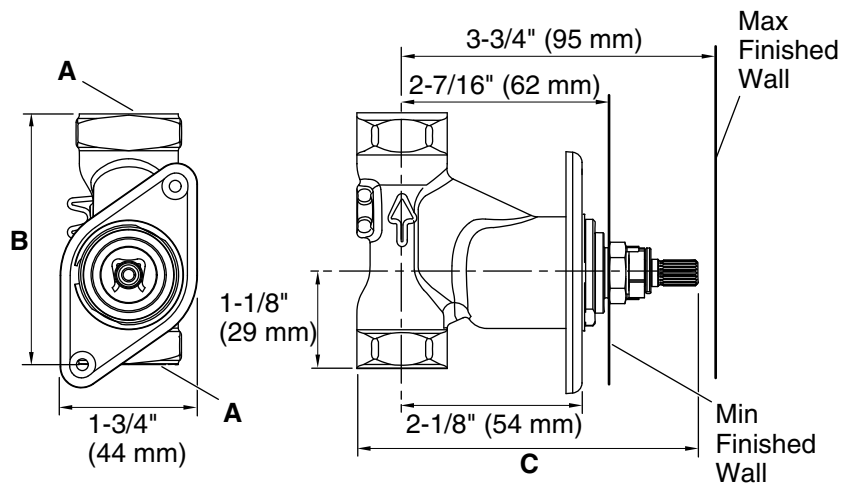
**WARNING:** Cancer and Reproductive Harm –  
[www.P65Warnings.ca.gov](http://www.P65Warnings.ca.gov)



**CAUTION: Risk of property damage.** Do not apply direct heat to the valve body. Excessive heat will damage the rubber valve seals and plaster guard, resulting in the potential for leaking. If desired, carefully remove the internal valve components before soldering. Reassemble and securely tighten the internal valve components.

**NOTICE:** Do not force the handle in any direction. Forcing the handle will damage the valve.

- Observe all local plumbing and building codes.
- Shut off the main water supply.
- Carefully plan the installation before beginning. Carefully read the entire instructions. Component location, spacing, and situational requirements can vary.
- Do not discard the plaster guard from the valve until instructed to do so.



	<b>A</b>	<b>B</b>	<b>C</b>
K-2974	1/2" NPT	3" (76 mm)	4" (102 mm)
K-2977	3/4" NPT	3-3/16" (81 mm)	4-1/8" (105 mm)

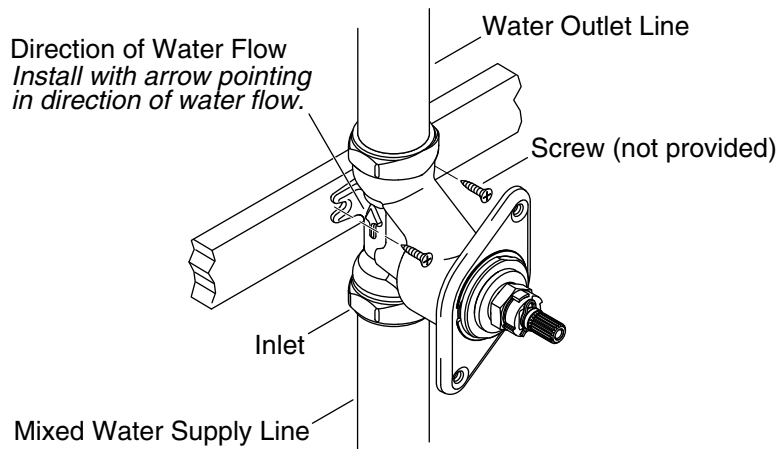
## Install the Valve

### Construct the Framing and Install the Rough Plumbing

- Determine the desired location for the volume control valve and construct suitable stud and support framing.
- Use the appropriate diameter of copper tubing and fittings upstream and downstream of the valve.

### Prepare the Rough Wall

- Provide a 2-7/8" (73 mm) to 3-1/8" (79 mm) diameter hole in the rough wall material for the plaster guard.



## Complete the Installation

- Flush the mixed water supply line to remove any debris.
- Use thread sealant and connect the mixed water supply line to the valve inlet port. The valve is marked with an arrow to identify the required water flow direction.
- Connect the water outlet line to the valve.
- Secure the water supply tubing to the support framing.
- Secure the valve with screws as shown.

**IMPORTANT!** Finished wall surface should not extend beyond the installed plaster guard.

- Complete the finished wall.
- Turn on the water supply to the volume control valve and check for leaks.
- Turn off the water.
- Remove and discard the plaster guard.

## Warranty

### **KOHLER® Faucet Lifetime Limited Warranty**

Kohler Co. warrants its Faucets\* manufactured after January 1, 1997, to be leak and drip free during normal residential use for as long as the original consumer purchaser owns his or her home. If the Faucet should leak or drip during normal use, Kohler Co. will, free of charge,