

homestyles

20 05436 0932

Storage Island



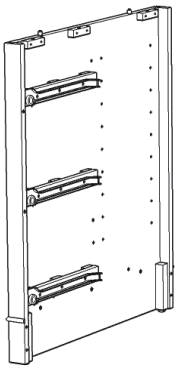
IMPORTANT

Carefully remove all the parts from the carton and place them individually on a soft cloth to prevent scratches or other damage.

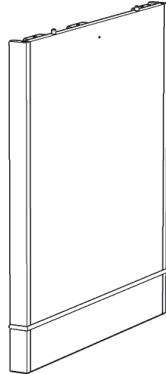
Carefully and strictly follow these assembly instructions to ensure a completed product as designed.

Do not use power tools above 8 volts to assemble.

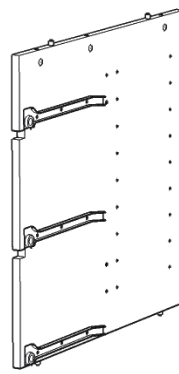
Part List



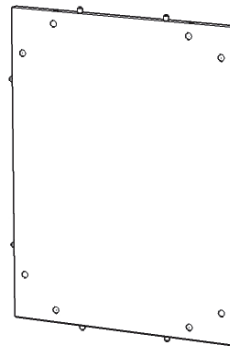
B.
Side Panel
1 pc.



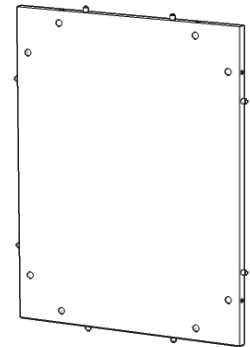
C.
Side Panel
1 pc.



D.
Middle Panel
1 pc.

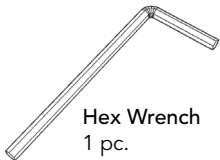


G.
Back Panel
1 pc.



H.
Back Panel
1 pc.

Hardware List



Hex Wrench
1 pc.



Cam Lock Screw
33 pcs. (+2 extra)



M6x32
Head Cap Bolt
14 pcs. (+1 extra)



Flat Washer
14 pcs. (+1 extra)



Spring Washer
14 pcs. (+1 extra)



Small Hex Wrench
1 pc.



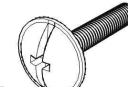
Cam Lock
33 pcs. (+6 extra)



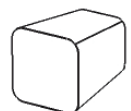
M3.5x32
Wood Screw
4 pcs. (+1 extra)



Adjustable Pin
24 pcs. (+1 extra)



M4x25
Machine Screw
12 pcs.



Knob
12 pcs.

Cartons 20 05436 0931 and 0933 are also needed for assembly.

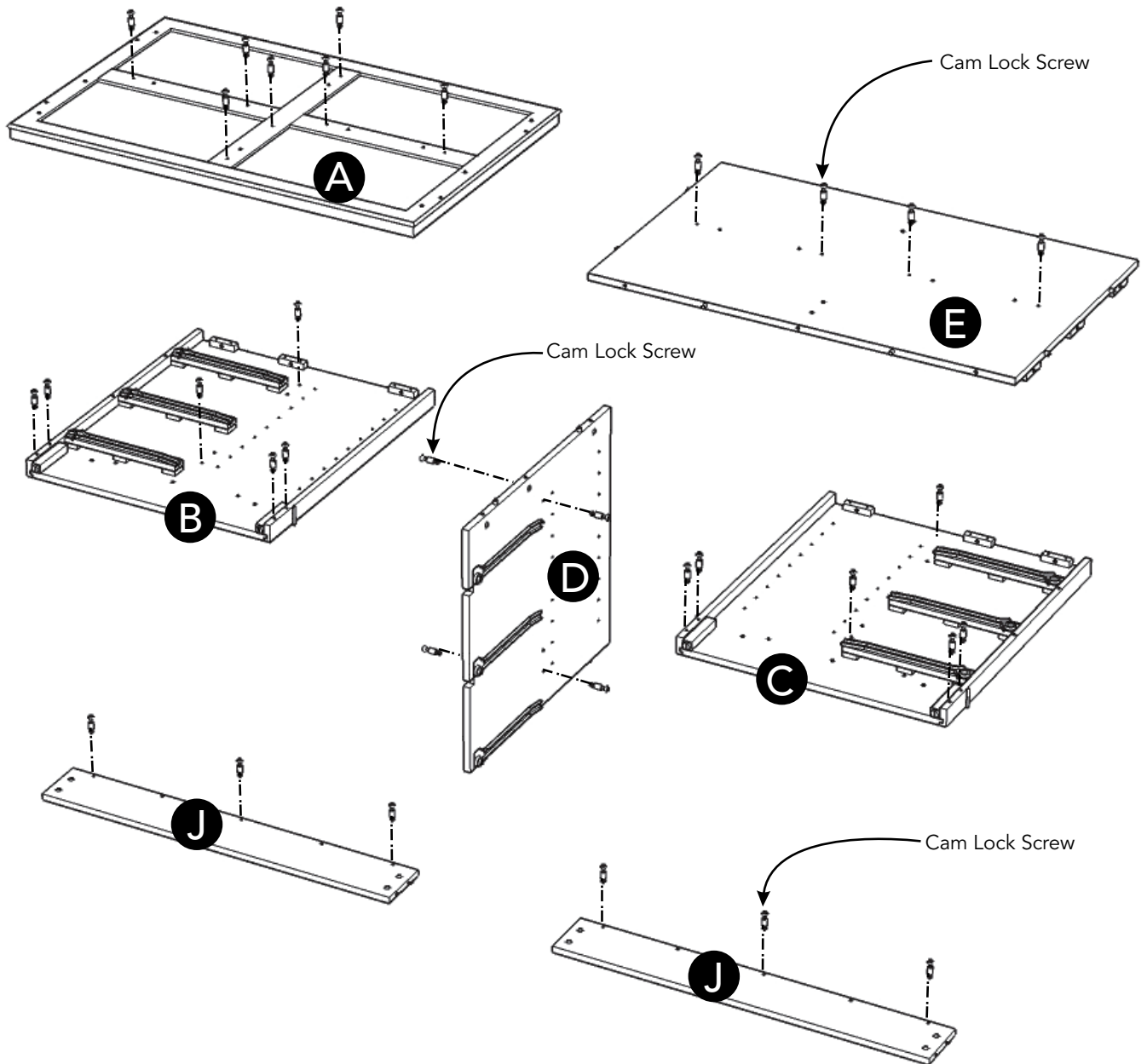
Tool(s) required for assembly: Phillips screwdriver, Level, Drill (8 volts or less), 3/16" Drill Bit, 3/8" Drill Bit

Home Styles Customer Service: www.homestyles-furniture.com,
servicedesk@homestyles-furniture.com, 888-680-7460, 877-831-0319

Assembly Instructions 2/8

IMPORTANT

- Use a soft cloth between these parts and the floor.
- Do not use power tools above 8 volts to assemble.
- Do not tighten all the screws until each part is properly assembled.
- The unit must be level to work properly. Use the included adjustable levelers to level.
- Keep Hex Wrench as the bolts may need to be tightened in the future.



STEP 1

Insert Cam Lock Screws into pre-drilled holes in Top (A), Side Panels (B), (C), Middle Panel (D), Bottom (E) and Plinths (J), then tighten. (See Figure 1)

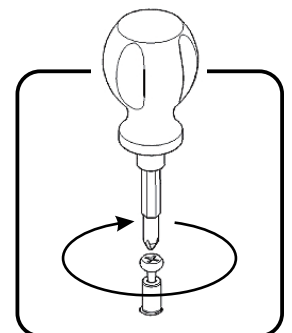


Figure 1

Assembly Instructions 3/8

STEP 2

Attach Back Panels (G) and (H) to Middle Panel (D) with Cam Locks. (See Figure 2)

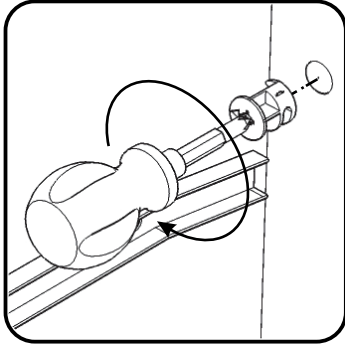
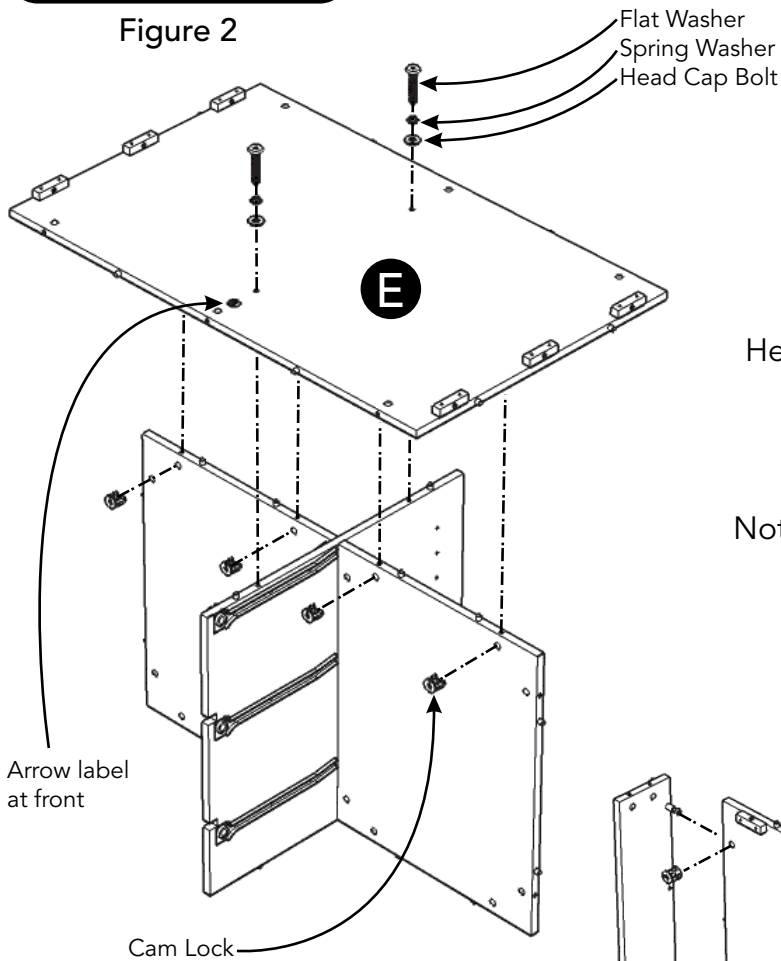
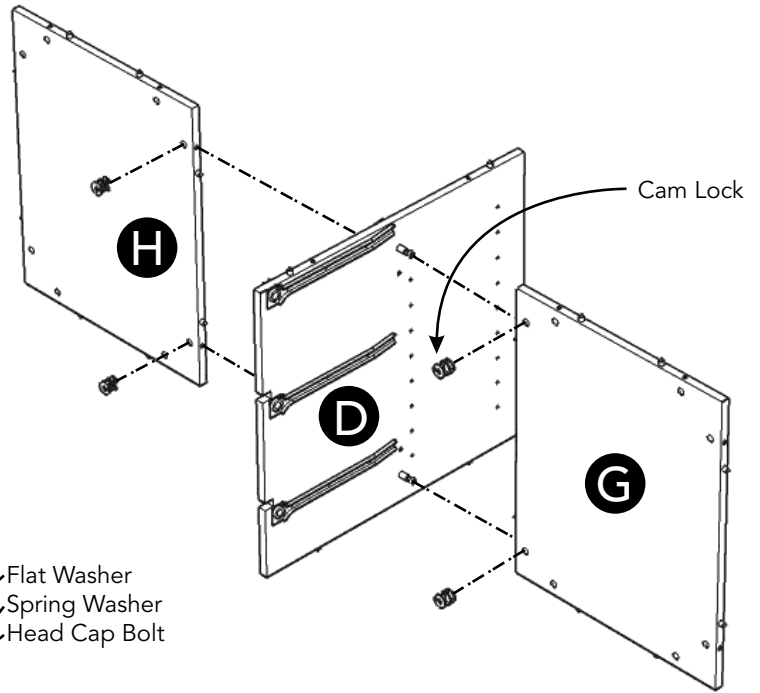


Figure 2



STEP 3

Attach Base (E) to unit with Cam Locks, Flat Washers, Spring Washers and Head Cap Bolts, tightening bolts only halfway. (See Figure 3)

Tighten all bolts used in this step.

Note: Arrow label indicates front of Bottom (E).

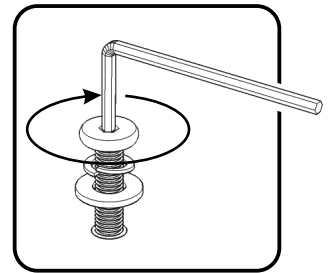
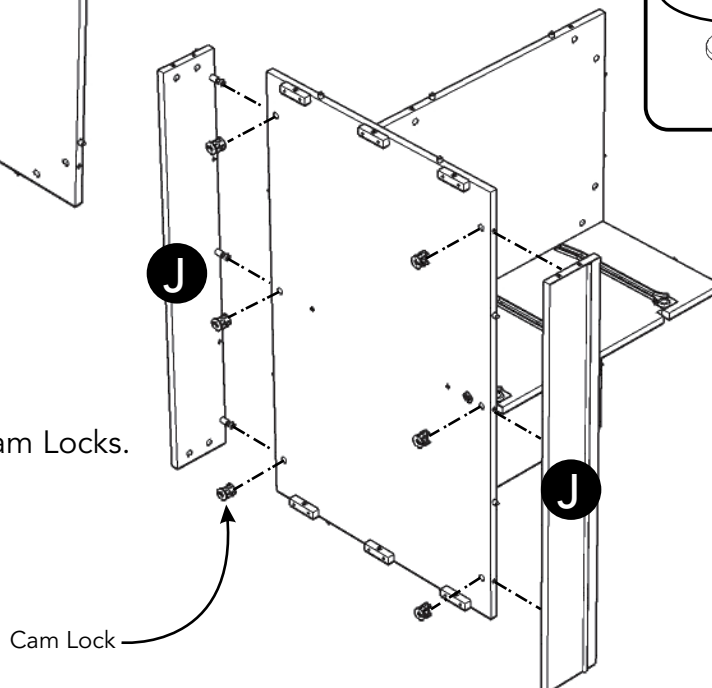


Figure 3

STEP 4

Attach Plinths (J) to unit with Cam Locks.



Assembly Instructions 4/8

STEP 5

Attach unit to Side Panel (C) with Cam Locks, Flat Washers, Spring Washers and Head Cap Bolts, tightening bolts only halfway.

Attach Rails (I) to unit with Wood Screws, into pre-drilled holes. (See Figure 4)

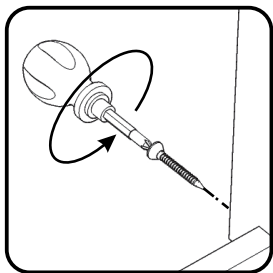
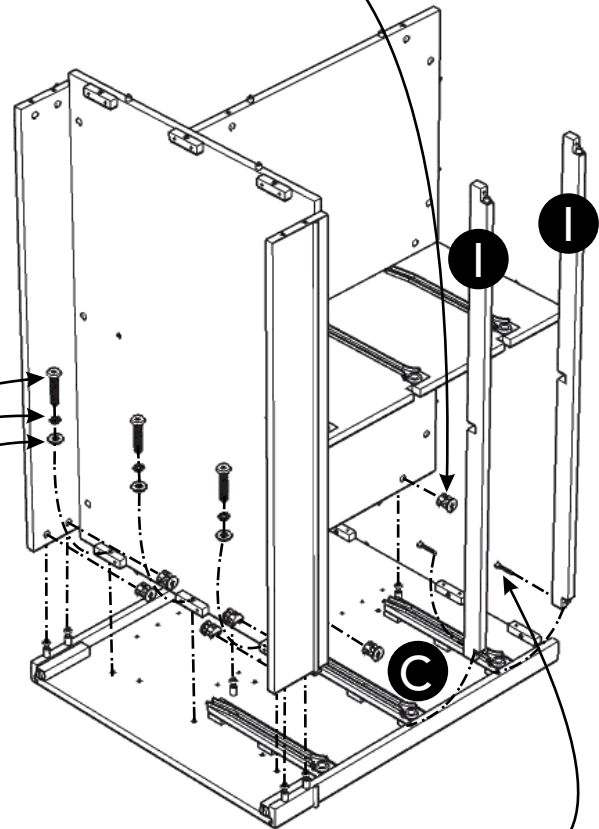


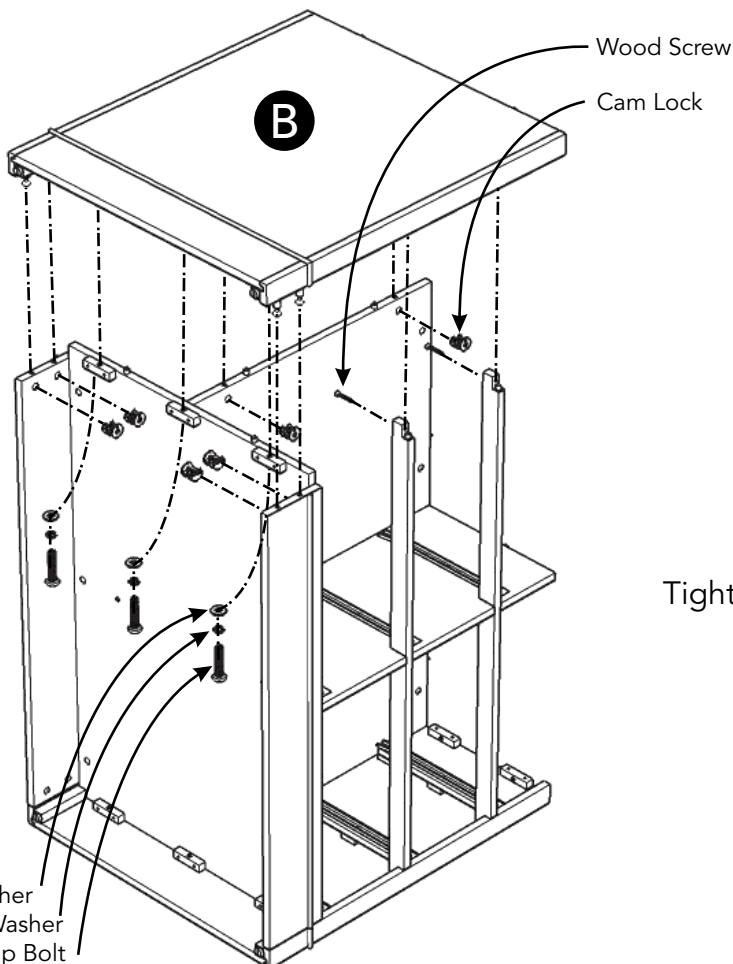
Figure 4

Head Cap Bolt
Spring Washer
Flat Washer

Cam Lock



Wood Screw



STEP 6

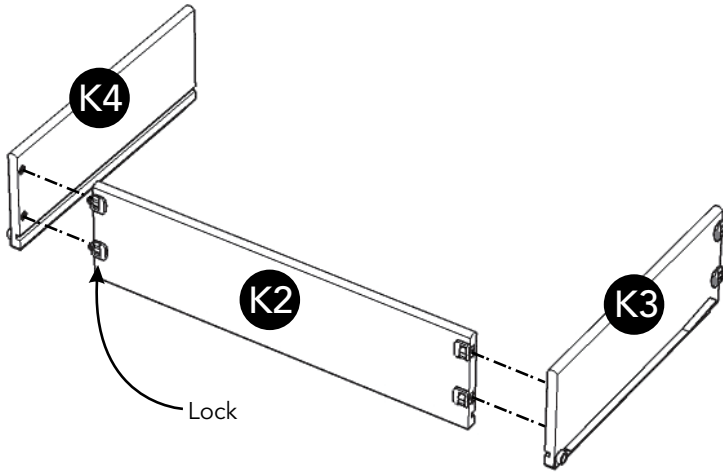
Attach Side Panel (B) to unit with Cam Locks, Wood Screws, Flat Washers, Spring Washers and Head Cap Bolts, tightening bolts only halfway.

Tighten all bolts used in Steps 5 and 6.

Turn unit to its' upright position.

Assembly Instructions 5/8

Drawer (K)



STEP 7

Attach Drawer Sides (K3) and (K4) to Drawer Back (K2), then flip Locks. (See Figures 5 and 6)

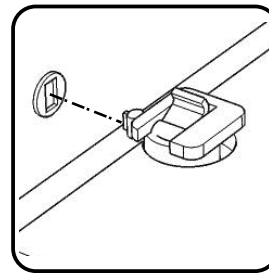


Figure 5

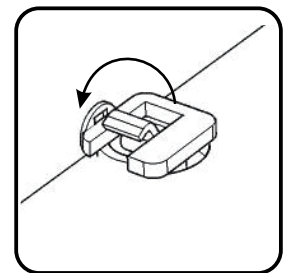
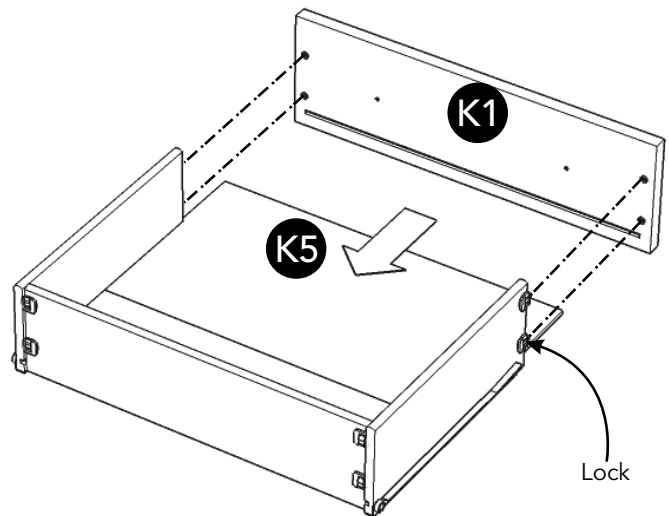
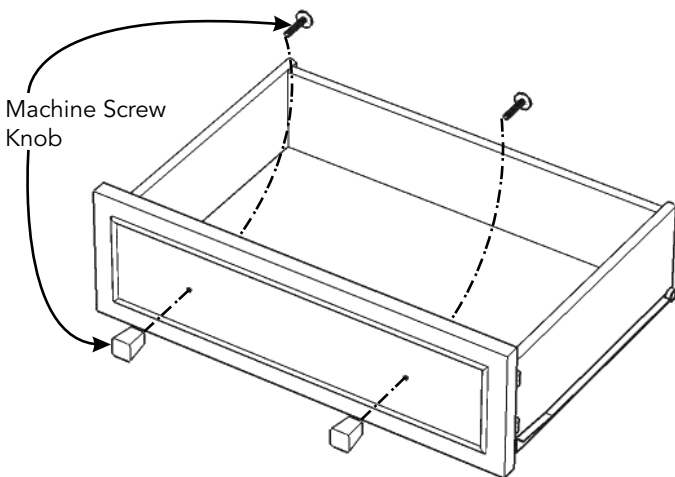


Figure 6

STEP 8

Slide Drawer Bottom (K5) into grooves in unit.

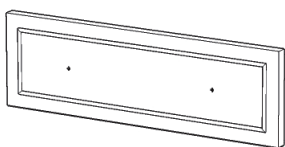
Attach Drawer Front (K1) to unit, then flip Locks.



STEP 9

Attach Knobs with Machine Screws.

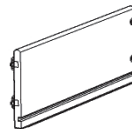
Part List



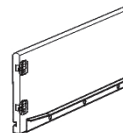
K1.
Drawer Front
2 pcs.



K2.
Drawer Back
2 pcs.



K3.
Drawer Side
2 pcs.



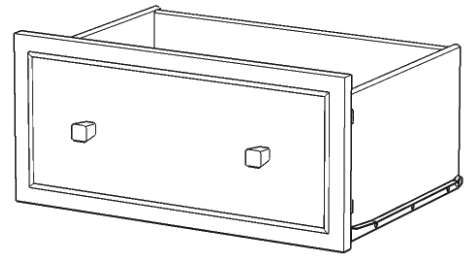
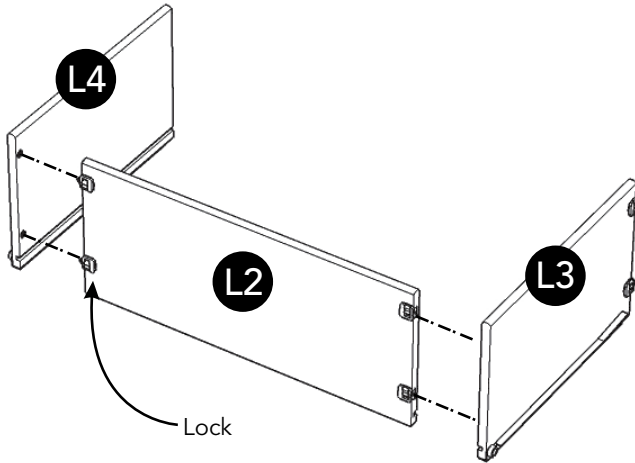
K4.
Drawer Side
2 pcs.



K5.
Drawer Bottom
2 pcs.

Assembly Instructions 6/8

Drawer (L)



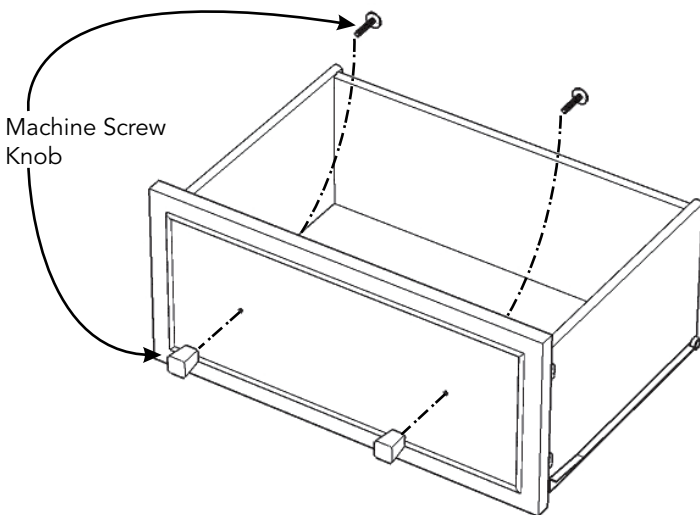
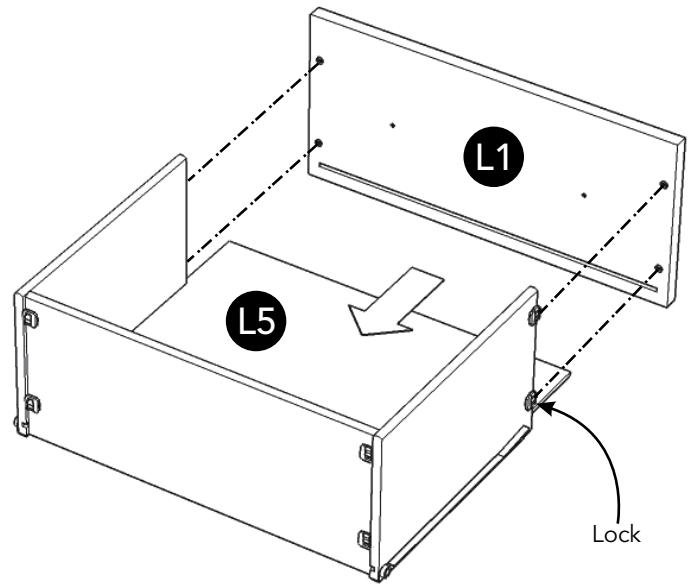
STEP 10

Attach Drawer Sides L3) and (L4) to Drawer Back (L2), then flip Locks.

STEP 11

Slide Drawer Bottom (L5) into grooves in unit.

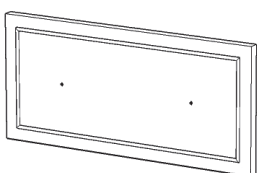
Attach Drawer Front (L1) to unit, then flip Locks.



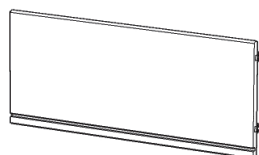
STEP 12

Attach Knobs with Machine Screws.

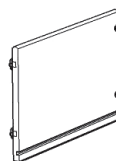
Part List



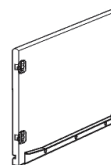
L1.
Drawer Front
4 pcs.



L2.
Drawer Back
4 pcs.



L3.
Drawer Side
4 pcs.



L4.
Drawer Side
4 pcs.



L5.
Drawer Bottom
4 pcs.

Assembly Instructions 7/8

STEP 13

Attach Top (A) to unit from Step 6 with Cam Locks, Flat Washers, Spring Washers and Head Cap Bolts, tightening bolts only halfway.

Tighten all bolts used in this step.

Level unit by adjusting the adjustable levelers on bottom of unit. (See Figure 7)

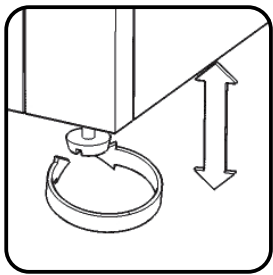
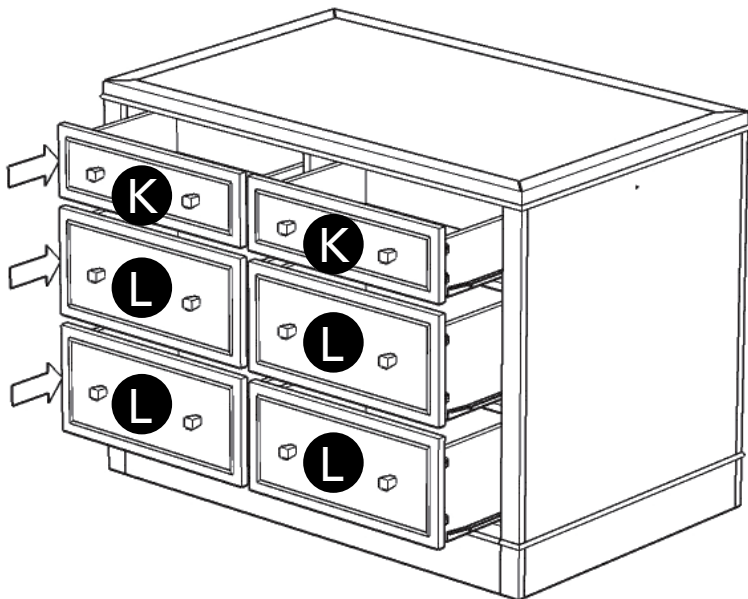
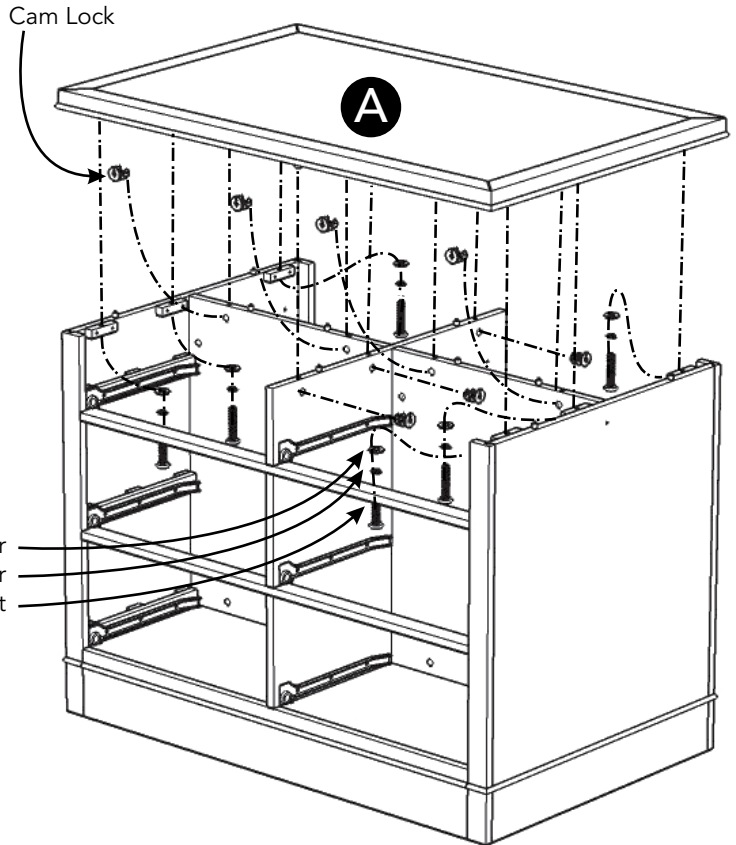


Figure 7



STEP 14

Slide Drawers (K) and (L) into position.

STEP 15

Insert Adjustable Pins into side panels at desired level. (See Figure 8)

Place Shelves (F) into position.

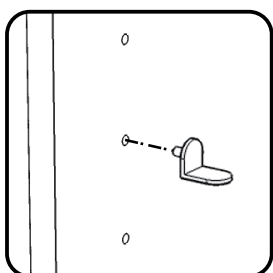
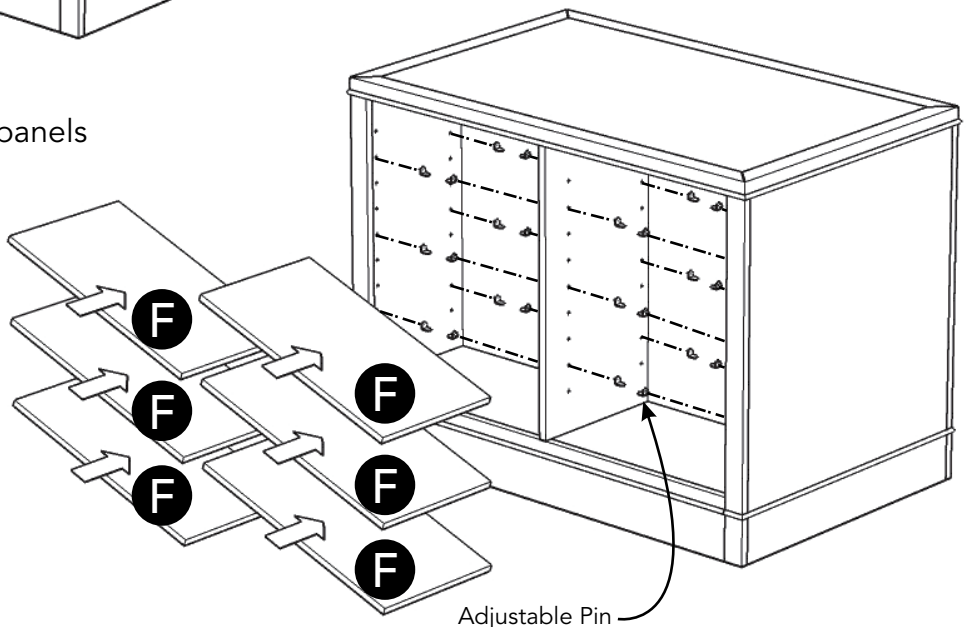


Figure 8



Assembly Instructions 8/8

Per regulatory requirements, a Tip-over Restraint is included. Follow Step 16 to install it.

STEP 16

Drill a 3/16" hole 1/2" deep 1" below top of unit in middle of side panel that is against a wall.

Place unit at desired location.

Drill a 3/8" hole in wall in-line with pre-drilled hole at top of unit.

Move unit.

Insert Anchor into the wall hole and attach Bracket with Wall Screw.

Attach Bracket at pre-drilled hole at top of unit with Wood Screw.

Move unit back into place.

Slide Tip-over Restraint through Bracket on wall and Bracket on unit.
(See Figure 9)

Put tie end of Tip-over Restraint into lock end of Tip-over Restraint and pull until tight.

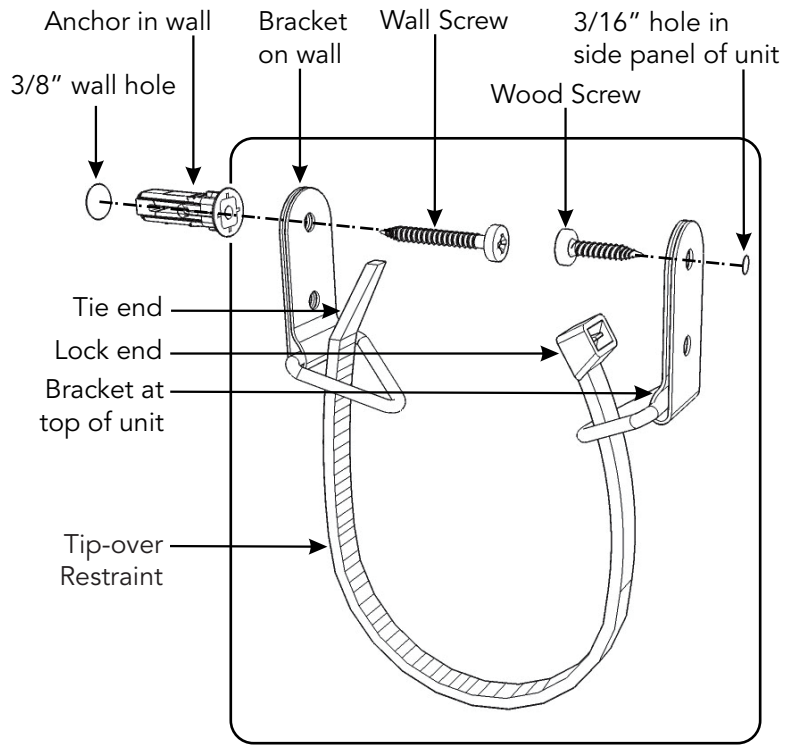
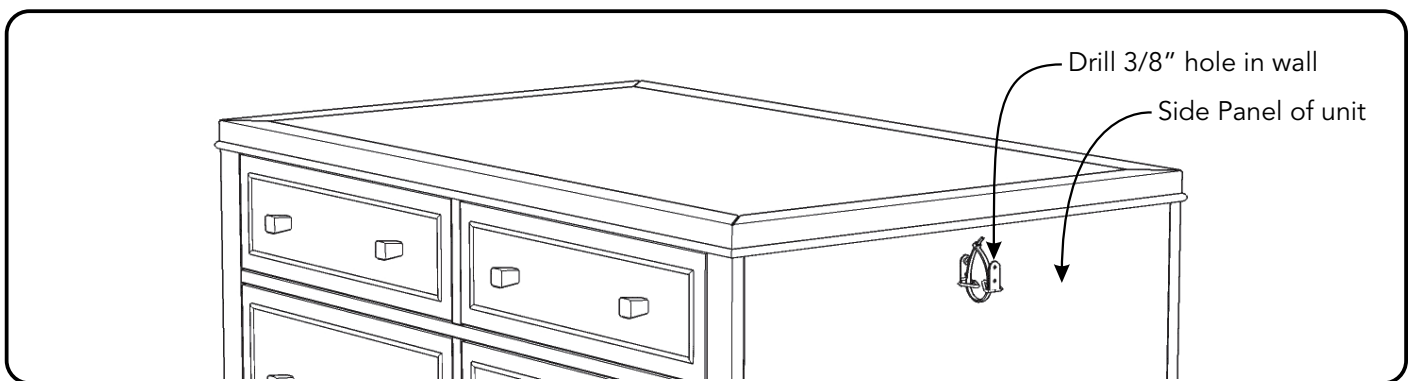
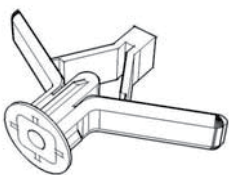


Figure 9



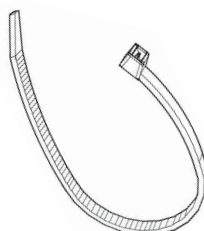
Hardware List



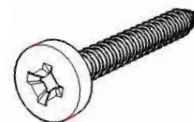
Anchor
1 pc. (+1 extra)



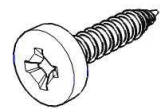
Bracket
2 pcs. (+1 extra)



Tip-over Restraint
1 pc. (+1 extra)



M3.5x40
Wall Screw
1 pc. (+1 extra)



M3.5x16
Wood Screw
1 pc. (+1 extra)

CARE INSTRUCTIONS

NEVER

allow liquids to remain on furniture.
Absorption causes parts to warp
and split and finishes to delaminate.

NEVER

use glass cleaners on
finished furniture. Ammonia
chemically attacks the finish.



Do not use power tools
above 8 volts to assemble.

**PREVENT
CRACKING**



Do not place
in direct sunlight.

**PREVENT
FADING**



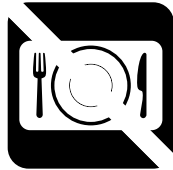
Do not write
directly on surface.

**PREVENT
MARKING**



Do not place hot
objects on surface.

**PREVENT
FINISH DAMAGE**



Do not use rubber
based placemats.

**PREVENT
DISCOLORING**



Do not use commercial
waxes and polishes.

**PREVENT
YELLOWING**

CLEAN

with a soft cloth moistened
in lukewarm soap and water.
Buff with a dry clean cloth.



Home Styles will provide replacements free of charge for missing or damaged hardware or parts within 30 days of purchase. Digital images of the defective parts may be required. If the product was not purchased from an authorized retail affiliate, Home Styles is under no obligation to provide replacement parts. Parts are not available for fully assembled items nor are parts available for sale. Replacements for missing or damaged hardware or parts may be requested at:

www.homestyles-furniture.com/customer-service/replacement-parts

Home Styles Customer Service: www.homestyles-furniture.com,
servicedesk@homestyles-furniture.com, 888-680-7460, 877-831-0319