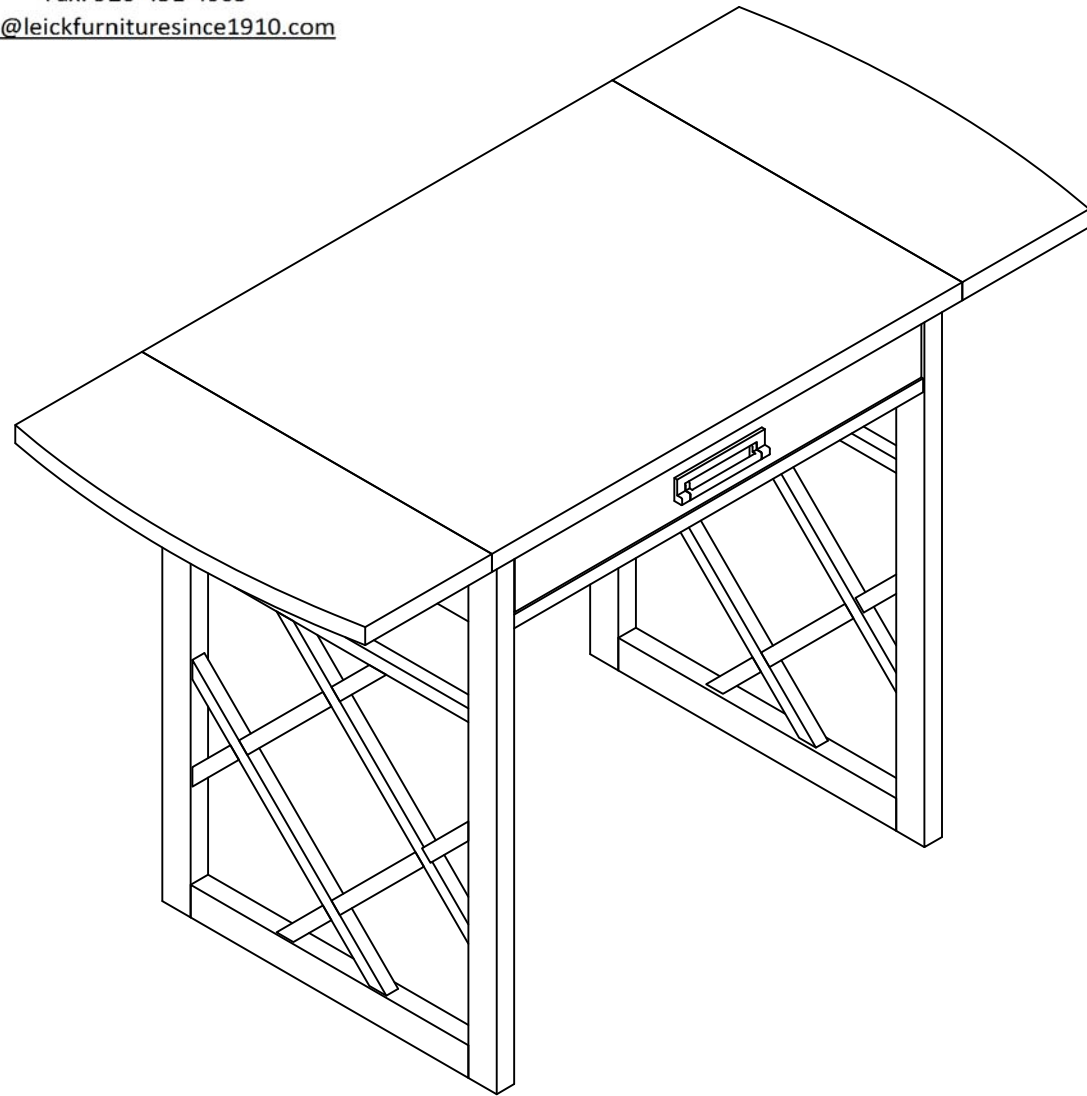




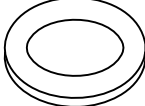

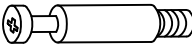

ITEM# 81420  
 Chocolate Oak Drop Leaf  
 Computer/Writing Desk

**Leick**  
 Home  
 SINCE 1910

2219 S. 19th St.  
 Sheboygan, WI 53081  
 Ph: 920-451-4060  
 Fax: 920-451-4063  
[info@leickfurnituresince1910.com](mailto:info@leickfurnituresince1910.com)



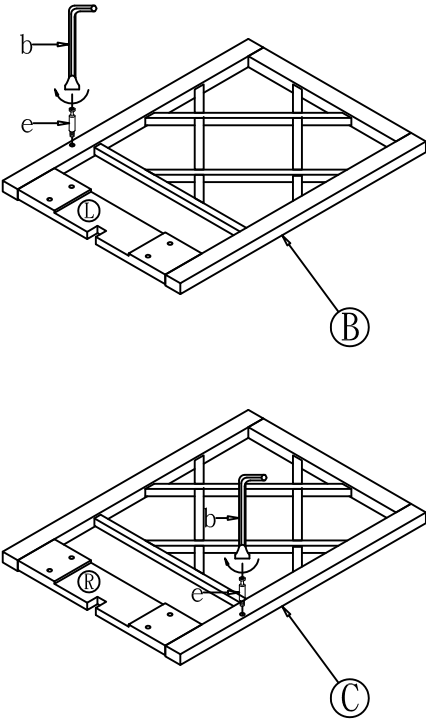
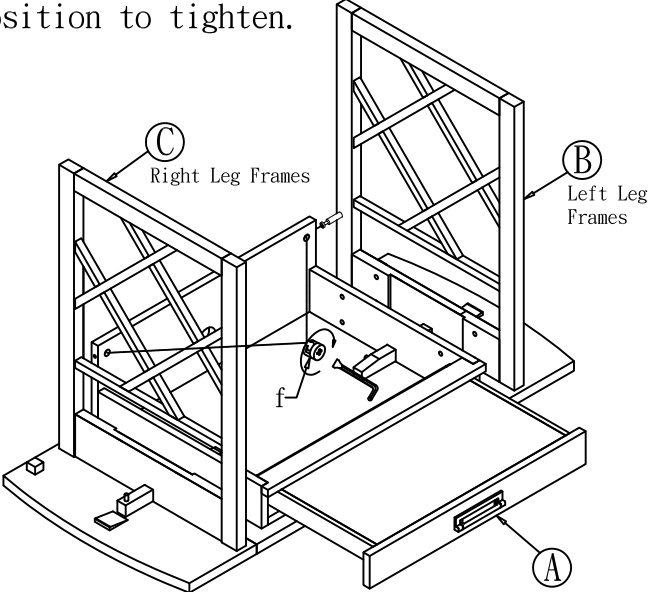
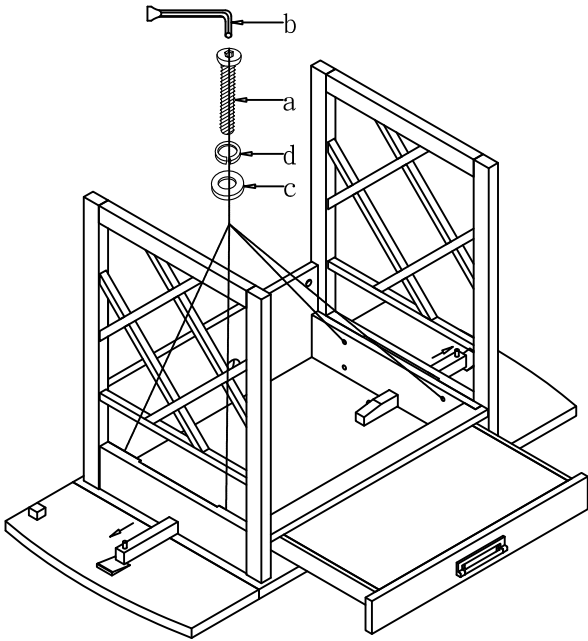
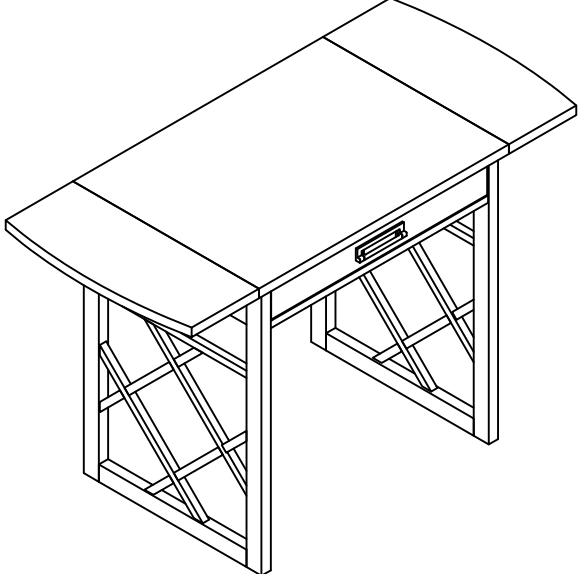
Hardware List

Item	Description	Qty
a	 Bolt 1/4" * 1 1/4"	8PCS
b	 Wrench	1PC
c	 Flat Washer 1/4" * 16mm	8PCS
d	 Lock Washer	8PCS
e	 Pin	2PCS
f	 Cam	2PCS

# Parts List

Item	Description	Qty
A	Top Assembly	1PC
B	Left Leg Frame	1PC
C	Right Leg Frame	1PC

# Assembly Instructions

<p><b>step 1</b> Screw two pins into two leg frames by using wrench.</p> 	<p><b>step 2</b> Place the top assembly upside down on a soft surface and pull out two wooden slides to each side. Install the cams on back panel to fix the leg frames. Note that on the cam there is an arrow showing the orientation of the cam to the pin. Adjust the cams in right position to tighten.</p> 
<p><b>step 3</b> Fasten the leg frames with (8) bolts, flat washers and lock washers.</p> 	<p><b>step 4</b> Place the desk right side up. (Using the wood glides underneath the top for keeping the top flat and folding the leaf.)</p>  <p>Wire management hole on back of desk: pull the disk out, run wires, and snap disk back in place.</p> 