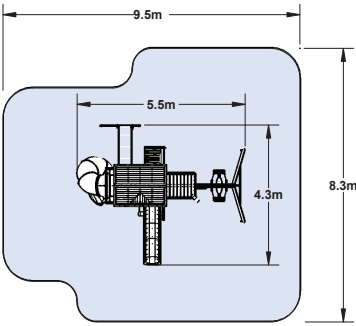


SKYLINE II PLAY SYSTEM-F23931

INSTALLATION AND OPERATING INSTRUCTIONS



WARNING

To reduce the risk of serious injury or death, you must read and follow these instructions. Keep and refer to these instructions often and give them to any future owner of this play set.

Manufacturer contact information provided below.

OBSTACLE FREE SAFETY ZONE -31' 2" x 27' area requires Protective Surfacing. See page 3.

MAXIMUM VERTICAL FALL HEIGHT - 6' 7"

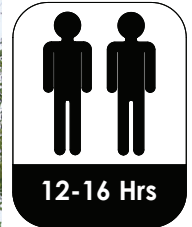
CAPACITY - 13 Users Maximum, Ages 3 to 10; Weight Limit 110 lbs. (49.9 kg) per child.

RESIDENTIAL HOME USE ONLY. Not intended for public areas such as multi-unit residences, schools, churches, nurseries, day cares or parks.

Warning. Only for domestic use.

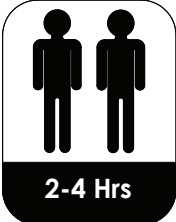


FORT



Two person assembly

TUBE SLIDE



Two person assembly



KidKraft, Inc.
4630 Olin Road
Dallas, Texas 75244 USA
customerservice@kidkraft.com
canadacustomerservice@kidkraft.com
1.800.933.0771
972.385.0100
For online parts replacement visit
<https://parts.kidkraft.com/>

KidKraft Netherlands BV
Olympisch Stadion 29
1076DE Amsterdam
The Netherlands
europecustomerservice@kidkraft.com
+31 20 305 8620 M-F from 09:00 to 17:30
(GMT+1)
For online parts replacement visit
<https://parts.kidkraft.eu/>

Table of Contents

Warnings and Safe Play Instructions.....	pg. 2
Protective Surfacing Guidelines.....	pg. 3
Instructions for Proper Maintenance.....	pg. 4
About Our Wood – Limited Warranty.....	pg. 5
Keys to Assembly Success.....	pg. 6
Part ID.....	pg. 7-17
Step-By-Step Instructions.....	pg. 18-96
Installation of I.D./Warning Plaque.....	pg. 97
Registration.....	Last Page
9403931	Rev 06/04/2019

Warnings and Safe Play Instructions



CONTINUOUS ADULT SUPERVISION REQUIRED. Most serious injuries and deaths on playground equipment have occurred while children were unsupervised! Our products are designed to meet mandatory and voluntary safety standards. Complying with all warnings and recommendations in these instructions will reduce the risk of serious or fatal injury to children using this play system. Go over the warnings and safe play instructions regularly with your children and make certain that they understand and follow them. Remember on-site adult supervision is required for children of all ages.



WARNING

SERIOUS HEAD INJURY HAZARD

Installation over concrete, asphalt, dirt, grass, carpet and other hard surface creates a risk of serious injury or death from falls to the ground. Install and maintain shock absorbing material under and around play-set as recommended on page 3 of these instructions.

COLLISION HAZARD

Place play-set on level ground at least 2m from any obstruction such as a garage or house, fences, poles, trees, sidewalks, walls, landscape timbers, rocks, pavement, planters, garden borders, overhanging branches, laundry lines, and electrical wires. (See OBSTACLE FREE SAFETY ZONE on cover)

CHOKING HAZARD/SHARP EDGES & POINTS

Adult assembly required. This product contains small parts and parts with sharp edges and points. Keep parts away from children until fully assembled.

WARNING LABEL

Owners shall be responsible for maintaining the legibility of the warning labels.

STRANGULATION HAZARD

- NEVER allow children to play with ropes, clotheslines, pet leashes, cables, chains or cord-like items when using this play-set or to attach these items to play-set.
- NEVER allow children to wear loose fitting clothing, ponchos, hoods, scarves, capes, necklaces, items with draw-strings, cords or ties when using this play-set.
- NEVER allow children to wear bike or sport helmets when using this play-set.

Failure to prohibit these items, even helmets with chin straps, increases the risk of serious injury and death to children from entanglement and strangulation.

TIP OVER HAZARD

Choose a level location for the equipment. This can reduce the likelihood of the play set tipping over and loose-fill surfacing materials washing away during heavy rains.

DO NOT allow children to play on the play-set until the assembly is complete and the unit is properly anchored.

Never add extra length to chain or rope. The chains or ropes provided are the maximum length designed for the swinging element(s).



WARNING – Safe Play Instructions

- ✓ Observe capacity limitations of your play-set. See front cover.
- ✓ Dress children with well fitting and full foot enclosing footwear.
- ✓ Teach children to sit with their full weight in the center of the swing seat to prevent erratic swing motion or falling off.
- ✓ Check for splintered, broken or cracked wood; missing, loose, or sharp edged hardware. Replace, tighten and or sand smooth as required prior to playing.
- ✓ Verify that suspended climbing ropes, rope ladders, chain or cable are secured at both ends and cannot be looped back on itself as to create an entanglement hazard.
- ✓ On sunny and or hot days, check the slide and other plastic rides to assure that they are not very hot as to cause burns. Cool hot slide and rides with water and wipe dry prior to using.
- ✓ Orientate slide such that it gets the least amount of exposure to the sun.
- ✗ Do not allow children to wear open toe or heel footwear like sandals, flip-flops or clogs.
- ✗ Do not allow children to walk, in front, between, behind or close to moving rides.
- ✗ Do not let children twist swing chains or ropes or loop them over the top support bar. This may reduce the strength of the chain or rope and cause premature failure.
- ✗ Do not let children get off rides while they are in motion.
- ✗ Do not permit climbing on equipment when it is wet.
- ✗ Do not permit rough play or use of equipment in a manner for which it was not intended. Standing on or jumping from the roof, elevated platforms, swings, climbers, ladders or slide can be dangerous.
- ✗ Do not allow children to swing empty rides or seats.
- ✗ Do not allow children to go down slide head first or run up slide.

! Protective Surfacing - Reducing Risk of Serious Head Injury From Falls.

One of the most important things you can do to reduce the likelihood of serious head injuries is to install shock-absorbing protective surfacing under and around your play equipment. The protective surfacing should be applied to a depth that is suitable for the equipment height in accordance with ASTM F1292. There are different types of surfacing to choose from; whichever product you select, follow these guidelines:

Loose-Fill Materials

- Maintain a minimum depth of 9 inches of loose-fill materials such as wood mulch/chips, engineered wood fiber (EWF), or shredded/recycled rubber mulch for equipment up to 8 feet high; and 9 inches of sand or pea gravel for equipment up to 5 feet high. NOTE: An initial fill level of 12 inches will compress to about a 9-inch depth of surfacing over time. The surfacing will also compact, displace, and settle, and should be periodically raked and refilled to maintain at least a 9-inch depth.
- Use a minimum of 6 inches of protective surfacing for play equipment less than 4 feet in height. If maintained properly, this should be adequate. (At depths less than 6 inches, the protective material is too easily displaced or compacted.)

NOTE: Do not install home playground equipment over concrete, asphalt, or any other hard surface. A fall onto a hard surface can result in serious injury to the equipment user. Grass and dirt are not considered protective surfacing because wear and environmental factors can reduce their shock absorbing effectiveness. Carpeting and thin mats are not adequate protective surfacing. Ground level equipment -- such as a sandbox, activity wall, playhouse or other equipment that has no elevated play surface -- does not need any protective surfacing.

- Use containment, such as digging out around the perimeter and/or lining the perimeter with landscape edging. Don't forget to account for water drainage.
- Periodically rake, check and maintain the depth of the loose-fill surfacing material. Marking the correct depth on the play equipment support posts will help you to see when the material has settled and needs to be raked and or replenished. Be sure to rake and evenly redistribute the surfacing in heavily used areas.
- Do not install loose fill surfacing over hard surfaces such as concrete or asphalt.

Poured-In-Place Surfaces or Pre-Manufactured Rubber Tiles

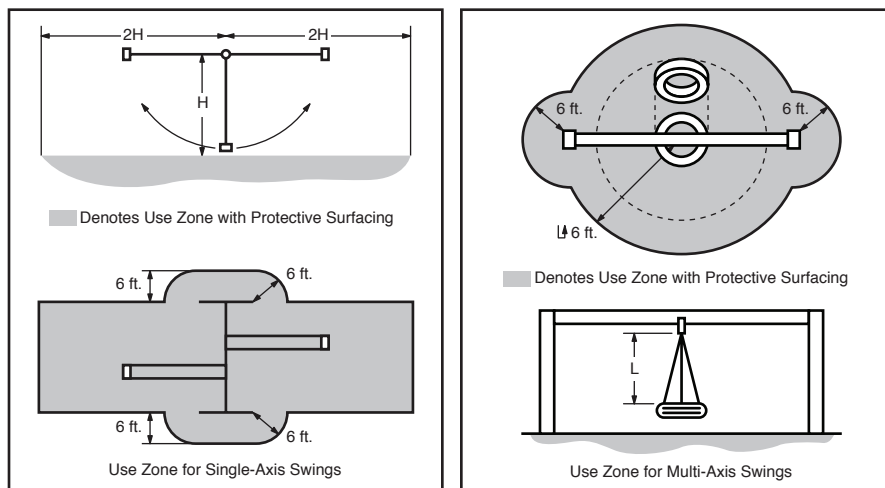
You may be interested in using surfacing other than loose-fill materials - like rubber tiles or poured-in-place surfaces.

- Installations of these surfaces generally require a professional and are not "do-it yourself" projects.
- Review surface specifications before purchasing this type of surfacing. Ask the installer/manufacturer for a report showing that the product has been tested to the following safety standard: ASTM F1292 *Standard Specification for Impact Attenuation of Surfacing Materials within the Use Zone of Playground Equipment*. This report should show the specific height for which the surface is intended to protect against serious head injury. This height should be equal to or greater than the fall height - vertical distance between a designated play surface (*elevated surface for standing, sitting, or climbing*) and the protective surfacing below - of your play equipment.
- Check the protective surfacing frequently for wear.

Placement

Proper placement and maintenance of protective surfacing is essential. Refer to diagram on front cover. Be sure to;

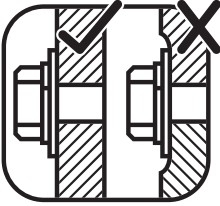
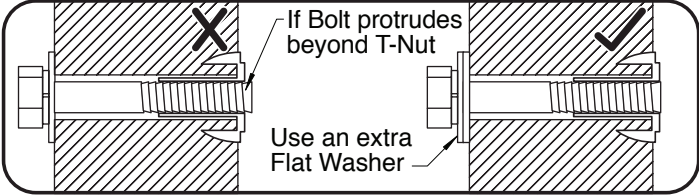
- Extend surfacing at least 2m from the equipment in all directions.
- For to-fro swings, extend protective surfacing in front of and behind the swing to a distance equal to twice the height of the top bar from which the swing is suspended.
- For tire swings, extend surfacing in a circle whose radius is equal to the height of the suspending chain or rope, plus 6 feet in all directions.



Instructions for Proper Maintenance

Your KidKraft Play System is designed and constructed of quality materials with your child's safety in mind. As with all outdoor products used by children, it will weather and wear. To maximize the enjoyment, safety and life of your Play Set, it is important that you, the owner, properly maintain it.

Check the following at the beginning of the play season:

<p>HARDWARE:</p> <ul style="list-style-type: none"> ✓ Check metal parts for rust. If found, sand and repaint using a non-lead paint complying with 16 CFR 1303. ✓ Inspect and tighten all hardware. On wood assemblies DO NOT OVER-TIGHTEN as to cause crushing and splintering of wood. ✓ Check for sharp edges or protruding screw threads, add washers if required.   <p>SHOCK ABSORBING SURFACING:</p> <ul style="list-style-type: none"> ✓ Check for foreign objects. Rake and check depth of loose fill protective surfacing materials to prevent compaction and maintain appropriate depth. Replace as necessary. (See Protective Surfacing, page 3) 	<p>GROUND STAKES (ANCHORS):</p> <ul style="list-style-type: none"> ✓ Check for looseness, damage or deterioration. Should firmly anchor unit to ground during use. Re-secure and or replace, if necessary. <p>SWING HANGERS:</p> <ul style="list-style-type: none"> ✓ Check that bolts are secure and tight. Quick clips should be completely closed and threaded clips screwed tight. ✓ If squeaking occurs lubricate bushings with oil or WD-40®. <p>SWINGS, ROPES AND RIDES:</p> <ul style="list-style-type: none"> ✓ Reinstall if removed during cold season. Check all moving parts including swing seats, ropes, chains and attachments for wear, rust and other deterioration. Replace as needed. ✓ Check that ropes are tight, secure at both ends and cannot loop back as to create an entrapment. <p>WOOD PARTS:</p> <ul style="list-style-type: none"> ✓ Check all wood members for deterioration, structural damage and splintering. Sand down splinters and replace deteriorated wood members. As with all wood, some checking and small cracks in grain is normal. ✓ Unprotected, they will appear weathered over time. Periodic application of an exterior water repellent or stain (water-based) will help improve appearance and life.
----------------------------------------------------------------------------------------------------------------------------------------------------------------------------------------------------------------------------------------------------------------------------------------------------------------------------------------------------------------------------------------------------------------------------------------------------------------------------------------------------------------------------------------------------------------------------------------------------------------------------------------------------------------------------------------------------------------------------------------------------------------------------------------------------------------------------------------------------------------------------------------------------	----------------------------------------------------------------------------------------------------------------------------------------------------------------------------------------------------------------------------------------------------------------------------------------------------------------------------------------------------------------------------------------------------------------------------------------------------------------------------------------------------------------------------------------------------------------------------------------------------------------------------------------------------------------------------------------------------------------------------------------------------------------------------------------------------------------------------------------------------------------------------------------------------------------------------------------------------------------------------------------------------------------------------------------------------------------------------------------------------------------------------------------------------------------------------------------------------------------------------------------------------------------------------------------------------------------------------------------------------------------------------

Check twice a month during play season:

<p>HARDWARE:</p> <ul style="list-style-type: none"> ✓ Inspect for tightness. Must be firmly against, but not crushing the wood. DO NOT OVER-TIGHTEN. This will cause splintering of wood. ✓ Check for sharp edges or protruding screw threads. Add washers if required. 	<p>SHOCK ABSORBING SURFACING:</p> <ul style="list-style-type: none"> ✓ Rake and check depth of loose fill protective surfacing materials to prevent compaction and maintain appropriate depth. Replace as necessary. (See Protective Surfacing, page 3)
---------------------------------------------------------------------------------------------------------------------------------------------------------------------------------------------------------------------------------------------------------------------------------------------------------------	-------------------------------------------------------------------------------------------------------------------------------------------------------------------------------------------------------------------------------------------------------------------------------

Check once a month during play season:

<p>SWING HANGERS:</p> <ul style="list-style-type: none"> ✓ Check that they are secure and orientated correctly. Hook should rotate freely and perpendicular to support beam. ✓ If squeaking occurs lubricate bushings with oil or WD-40®. 	<p>SWINGS AND RIDES:</p> <ul style="list-style-type: none"> ✓ Check swing seats, all ropes, chains and attachments for fraying, wear, excessive corrosion or damage. Replace if structurally damaged or deteriorated.
--------------------------------------------------------------------------------------------------------------------------------------------------------------------------------------------------------------------------------------------------------------------------	---------------------------------------------------------------------------------------------------------------------------------------------------------------------------------------------------------------------------------------------

Check at the end of the play season:

<p>SWINGS AND RIDES:</p> <ul style="list-style-type: none"> ✓ To prolong their life, remove swings and store inside when outside temperature is below 32°F/0°C. Below freezing, plastic parts may become more brittle. 	<p>SHOCK ABSORBING SURFACING:</p> <ul style="list-style-type: none"> ✓ Rake and check depth of loose fill protective surfacing materials to prevent compaction and maintain appropriate depth. Replace as necessary. (See Protective Surfacing, page 3)
----------------------------------------------------------------------------------------------------------------------------------------------------------------------------------------------------------------------------------------------	-------------------------------------------------------------------------------------------------------------------------------------------------------------------------------------------------------------------------------------------------------------------------------

If you dispose of your play set: Please disassemble and dispose of your unit so that it does not create any unreasonable hazards at the time it is discarded. Be sure to follow your local waste ordinances.

About Our Wood

KidKraft Premium Play Systems uses only premium playset lumber, ensuring the safest product for your children's use. Although we take great care in selecting the best quality lumber available, wood is still a product of nature and susceptible to weathering which can change the appearance of your set.

What causes weathering? Does it affect the strength of my Play System?

One of the main reasons for weathering is the effects of water (moisture); the moisture content of the wood at the surface is different than the interior of the wood. As the climate changes, moisture moves in or out of the wood, causing tension which can result in checking and or warping. You can expect the following due to weathering. These changes will not affect the strength of the product:

1. **Checking** is surface cracks in the wood along the grain. A post (4" x 4") will experience more checking than a board (1" x 4") because the surface and interior moisture content will vary more widely than in thinner wood.
2. **Warping** results from any distortion (twisting, cupping) from the original plane of the board and often happens from rapid wetting and drying of the wood.
3. **Fading** happens as a natural change in the wood color as it is exposed to sun-light and will turn a grey over time.

How can I reduce the amount of weathering to my Play System?

At the factory we have coated the wood with a water repellent or stain. This coating decreases the amount of water absorption during rain or snow thus decreasing the tension in the wood. Sunlight will break down the coating, so we recommend applying a water repellent or stain on a yearly basis (see your local stain and paint supplier for a recommended product).

Most weathering is just the normal result of nature and will not affect safe play and enjoyment for your child. However if you are concerned that a part has experienced a severe weathering problem please call our consumer relations department for further assistance.

Complete and mail registration card to receive important product notifications and assure prompt warranty service.

5 Year Limited Warranty

KidKraft warrants that this product is free from defect in materials and workmanship for a period of one year from the original date of purchase. In addition, lumber is warranted for 5 years against structural failure due to rot and insect damage. All other parts, such as hardware, swings, rides, accessories, and slides carry a one-year warranty only.

This warranty applies to the original owner and registrant and is non-transferable.

Regular maintenance is required to assure the integrity of your Play System. This warranty does not cover any inspection cost.

This Limited Warranty does not cover:

- Labor for replacement of any defective item(s);
- Incidental or consequential damages;
- Cosmetic defects which do not affect performance or integrity;
- Vandalism; improper use or installation; acts of nature;
- Minor twisting, warping, checking, or any other natural occurring properties of wood that do not affect performance or integrity.

KidKraft products have been designed for safety and quality. Any modifications made to the original product could damage the structural integrity of the unit leading to failure and possible injury.

Kidkraft cannot assume any responsibility for modified products. Furthermore, modification voids any and all warranties.

This product is warranted for **RESIDENTIAL USE ONLY**. Under no circumstance should a KidKraft Play System be used in public settings such as schools, churches, playgrounds, parks, day cares and the like. Such use may lead to product failure and potential injury. Any and all public use will void this warranty.

KidKraft disclaims all other representations and warranties of any kind, express or implied.

This Warranty gives you specific legal rights. You may have other rights as well which vary from state to state or province to province. This warranty excludes all consequential damages, however, some states do not allow the limitation or exclusion of consequential damages, and therefore this limitation may not apply to you.

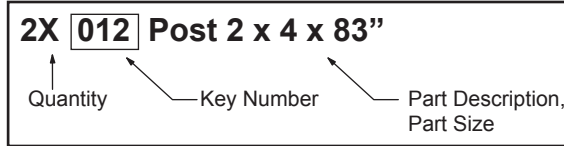
Keys to Assembly Success

Tools Required

<ul style="list-style-type: none"> • Tape Measure • Carpenters Level • Carpenters Square • Claw Hammer • Standard or Cordless Drill 	<ul style="list-style-type: none"> • #1, #2 & #3 Phillips or Robertson Bits or Screwdriver • Ratchet with extension (1/2" & 9/16" sockets) 	<ul style="list-style-type: none"> • Open End Wrench (7/16", 1/2" & 9/16") • Adjustable Wrench • 1/8" & 3/16" Drill Bits • Pencil 	<ul style="list-style-type: none"> • 3/16" Hex Key • 8' Step Ladder • Safety Glasses • Adult Helpers
----------------------------------------------------------------------------------------------------------------------------------------------------------------------------------------	----------------------------------------------------------------------------------------------------------------------------------------------------------------------------	-------------------------------------------------------------------------------------------------------------------------------------------------------------------------------------	------------------------------------------------------------------------------------------------------------------------------------------------

Part Identification Key





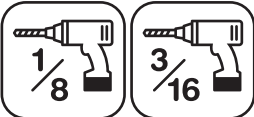



On each page, you will find the parts and quantities required to complete the assembly step illustrated on that page. Here is a sample.



Key Number: The first two digits represent the step number. The third digit represents the piece. Note that if the part is used in multiple steps then the number only reflects the first step it is used in.

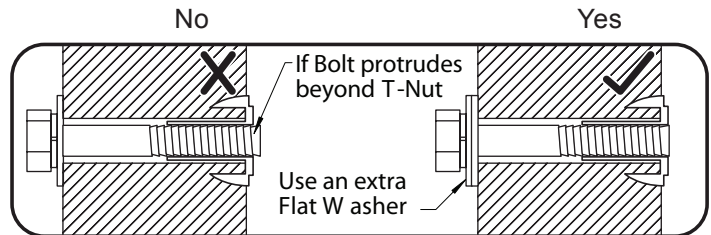
Symbols

Throughout these instructions symbols are provided as important reminders for proper and safe assembly.

<p>This identifies information that requires special attention. Improper assembly could lead to an unsafe or dangerous condition.</p> 	<p>Check that set or assembly is properly level before proceeding.</p> <p>Use Level</p> 
<p>Use Help</p>  <p>Use Help</p>  <p>Where this is shown, 2 or 3 people are required to safely complete the step. To avoid injury or damage to the assembly make sure to get help!</p>	<p>Pre-drill 1/8" & 3/16" Bit</p>  <p>Pre-drill a pilot hole before fastening screw or lag to prevent splitting of wood.</p>
<p>Measure Distance</p>  <p>Check that assembly is square before tightening bolts.</p> <p>Use a measuring tape to assure proper location.</p>	<p>Square Assembly</p>  <p>Tighten Bolts</p>  <p>This indicates time to tighten bolts, but not too tight! Do not crush the wood. This may create splinters and cause structural damage.</p>

CAUTION – Protrusion Hazard

Once the assembly is tightened, watch for exposed threads. If a thread protrudes from the T-Nut, remove the bolt and add washers to eliminate this condition. Extra washers have been provided for this purpose.

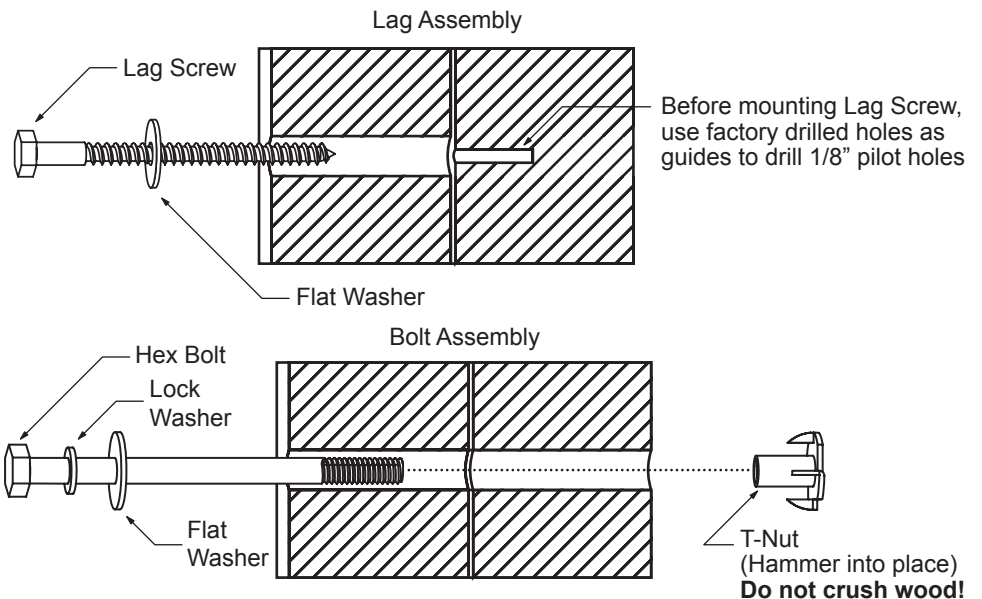


Proper Hardware Assembly

Lag screws require drilling pilot holes to avoid splitting wood. Only a flat washer is required. For ease of installation liquid soap can be used on all lag-type screws.

For bolts, tap T-Nut into hole with hammer. Insert the hex bolt through lock washer first then flat washer then hole. Because the assemblies need to be squared do not completely tighten until instructed. Pay close attention to diameter of the bolts. 5/16" is slightly larger than 1/4".

Note: Wafer head bolts with blue lock tight or a bolt with a Ny-Lok nut do NOT require a lock washer.



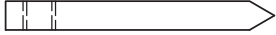
Part Identification (Reduced Part Size)

Nominal Size	Actual Size
1-1/4 x 1-1/2	1-1/4 x 1-1/2
1 x 2	5/8 x 1-3/8
1 x 3	5/8 x 2-3/8
1 x 4	5/8 x 3-3/8
1 x 5	5/8 x 4-3/8

1pc. - **[2727]** - 5/8 x 2-3/4 x 19-3/4" - Rockwall Top - Box 2 - 3632727



7pc. - **[0318]** - - Ground Stake 1-1/4 x 1-1/2 x 14" - Box 1 & 5 - 3650318



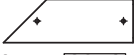
1pc. - **[8073]** - 1 x 2 x 22" - Dormer Bottom - Box 4 - 3638073



2pc. - **[2736]** - 1 x 2 x 26" - Bottom Window - Box 2 - 3632736



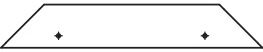
2pc. - **[8072]** - 1 x 3 x 6-3/4" - Dormer Side Burst - Box 4 - 3638072



1pc. - **[8071]** - 1 x 3 x 10-3/4" - Dormer Centre - Box 4 - 3638071



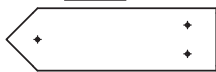
2pc. - **[8070]** - 1 x 3 x 13-5/8" - Dormer Side - Box 4 - 3638070



1pc. - **[2739]** - 1 x 4 x 10-5/8" - Spacer A - Box 2 - 3632739



2pc. - **[8613]** - 1 x 4 x 10-15/16" - Gable Board A - Box 4 - 3638613



1pc. - **[2740]** - 1 x 4 x 14" - Spacer B - Box 2 - 3632740



1pc. - **[8612]** - 1 x 4 x 16-1/8" - Centre Gable Board - Box 4 - 3638612



1pc. - **[8039]** - 1 x 4 x 26-1/2" - Wall Board - Box 2 - 3638039



4pc. - **[1975]** - 1 x 4 x 29" - Cedar Wall - Box 2 - 3631975

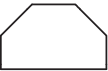


(2 NOT REQUIRED)

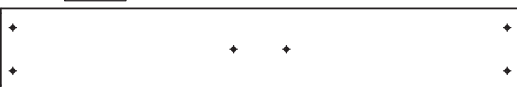
1pc. - **[2505]** - 1 x 4 x 29-3/4" - Top End Nest - Box 3 - 3632505



1pc. - **[8074]** - 1 x 4 x 5-1/2" - Dormer Burst - Box 4 - 3638074



9pc. - **[2514]** - 1 x 5 x 27" - Floor Board - Box 2 - 3632514



2pc. - **[2503]** - 1 x 5 x 32-1/2" - Wall Board - Box 4 - 3632503

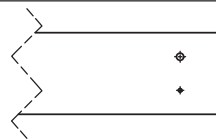
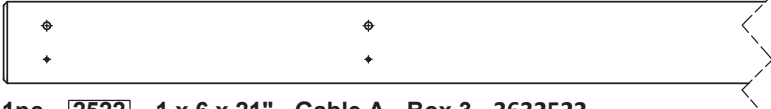


1pc. - **[2479]** - 1 x 5 x 38-1/2" - Floor Board - Box 2 - 3632479



Part Identification (Reduced Part Size)

1pc. - **[2494]** - 1 x 5 x 57" - Middle Back - Box 3 - 3632494



Nominal Size	Actual Size
1 x 6	5-1/4
5/4 x 2	15/16 x 1-1/2
5/4 x 3	15/16 x 2-1/4
5/4 x 4	15/16 x 3-1/4

1pc. - **[2522]** - 1 x 6 x 21" - Gable A - Box 3 - 3632522



4pc. - **[2603]** - 1 x 6 x 19-3/4" - Rock Board A - Box 2 - 3632603



3pc. - **[2604]** - 1 x 6 x 19-3/4" - Rock Board B - Box 2 - 3632604



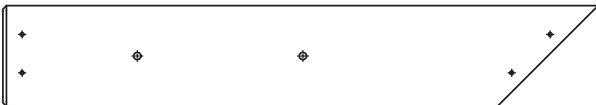
1pc. - **[2605]** - 1 x 6 x 19-3/4" - Access Board - Box 2 - 3632605



1pc. - **[2738]** - 5/8 x 5-1/4 x 31-1/2" - Crowsnest Floor Board - Box 2 - 3632738



2pc. - **[2519]** - 1 x 6 x 31" - SW Nest Wall - Box 3 - 3632519



12pc. - **[2478]** - 1 x 6 x 38-1/2" - Floor - Box 2 - 3632478



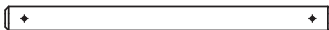
1pc. - **[2480]** - 1 x 6 x 57" - Back Top - Box 3 - 3632480



1pc. - **[2339]** - 1 x 6 x 25-3/8" - Crowsnest Floor - Box 2 - 3632339



2pc. - **[2517]** - 5/4 x 2 x 17" - Spindle - Box 4 - 3632517



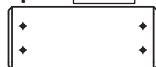
20pc. - **[2515]** - 5/4 x 2 x 33" - Long Spindle - Box 3 - 3632515



2pc. - **[2483]** - 5/4 x 3 x 34-1/4" - SW Table Top - Box 2 - 3632483



2pc. - **[2508]** - 5/4 x 4 x 7-3/4" - Short Rail - Box 4 - 3632508



Part Identification (Reduced Part Size)

Nominal Size	Actual Size
5/4 x 4	15/16 x 3-1/4
5/4 x 5	15/16 x 4-1/4

2pc. - **[2512]** - 5/4 x 4 x 11-1/4" - End Nest Board - Box 3 - 3632512



1pc. - **[2495]** - 5/4 x 4 x 13-5/8" - Bench Support - Box 2 - 3632495



1pc. - **[2498]** - 5/4 x 4 x 24-1/4" - Cafe Top - Box 2 - 3632498



1pc. - **[2506]** - 5/4 x 4 x 29-3/4" - Bottom Nest End - Box 3 - 3632506



1pc. - **[2520]** - 5/4 x 4 x 29-3/4" - End Nest Top - Box 2 - 3632520



2pc. - **[2507]** - 5/4 x 4 x 33-7/8" - Side Nest Top - Box 2 - 3632507



2pc. - **[2499]** - 5/4 x 4 x 34" - Roof Support Left - Box 3 - 3632499



2pc. - **[2518]** - 5/4 x 4 x 34" - Roof Support Right - Box 3 - 3632518



2pc. - **[2509]** - 5/4 x 4 x 39-1/4" - Lower Side - Box 3 - 3632509



1pc. - **[2493]** - 5/4 x 4 x 54-1/2" - Back Ground - Box 3 - 3632493



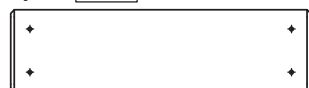
2pc. - **[2492]** - 5/4 x 4 x 57" - Front Top Bottom - Box 3 - 3632492



1pc. - **[2474]** - 5/4 x 4 x 88-43/64" - Ground SW - Box 3 - 3632474



2pc. - **[2487]** - 5/4 x 5 x 15-5/8" - Crowsnest Bottom Front - Box 2 - 3632487



2pc. - **[2488]** - 5/4 x 5 x 15-5/8" - Crowsnest Top Front - Box 3 - 3632488



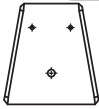
Part Identification (Reduced Part Size)

Nominal Size	Actual Size
5/4 x 5	15/16 x 4-1/4
5/4 x 6	15/16 x 5-1/4
5/4 x 4	1 x 3-1/2
2 x 3	1-1/2 x 2-1/4
2 x 4	1-1/2 x 3-1/4

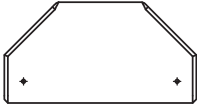
1pc. - **2524** - 5/4 x 5 x 32-7/8" - SL Bottom - Box 3 - 3632524



2pc. - **2485** - 5/4 x 6 x 5" - Seat Side - Box 2 - 3632485



1pc. - **8614** - 5/4 x 6 x 10" - Sunburst - Box 4 - 3638614



1pc. - **2497** - 5/4 x 6 x 29-1/2" - Seat - Box 3 - 3632497



1pc. - **2730** - 5/4 x 4 x 23" - Rockwall Brace - Box 3 - 3632730



2pc. - **2337** - 5/4 x 4 x 25-1/2" - Crowsnest Back - Box 4 - 3632337



2pc. - **2341** - 5/4 x 4 x 34-3/8" - Crowsnest Upright - Box 3 - 3632341



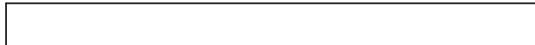
2pc. - **2737** - 1-3/8 x 1-3/4 x 13-3/4" - Ladder Step - Box 3 - 3632737



2pc. - **2516** - 2 x 3 x 25" - SW Nest Access Post - Box 3 - 3632516



1pc. - **8634** - 2 x 3 x 27-3/4" - Crowsnest Face B - Box 2 - 3638634



1pc. - **2733** - 2 x 3 x 32" - Rockwall Post - Box 2 - 3632733



1pc. - **2491** - 2 x 3 x 42-1/4" - Diagonal - Box 3 - 3632491



1pc. - **2496** - 2 x 4 x 3-1/4" - Seat Block - Box 4 - 3632496



2pc. - **2513** - 2 x 4 x 9" - Gusset - Box 4 - 3632513



Part Identification (Reduced Part Size)

Nominal Size	Actual Size
2 x 4	1 3/8 x 3-3/8
1-1/4 x 3-3/8	1-1/4 x 3-3/8

1pc. - **[2484]** - 2 x 4 x 13-1/2" - Bench Leg - Box 4 - 3632484



1pc. - **[8168]** - 2 x 4 x 26-1/4" - SL Support - Box 3 - 3638168



1pc. - **[2486]** - 2 x 4 x 29" - SW Mount - Box 2 - 3632486



2pc. - **[2510]** - 2 x 4 x 38" - Floor Support - Box 3 - 3632510



2pc. - **[2500]** - 2 x 4 x 38-3/8" - Crowsnest Post - Box 4 - 3632500



1pc. - **[2489]** - 2 x 4 x 38-1/2" - Floor End - Box 2 - 3632489



1pc. - **[8611]** - 2 x 4 x 41" - Gable Bottom - Box 4 - 3638611



1pc. - **[2482]** - 2 x 4 x 47-7/8" - Back Wall Support - Box 4 - 3632482



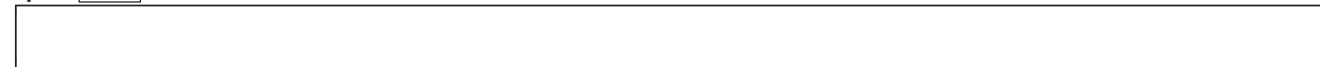
2pc. - **[8139]** - 2 x 4 x 62-7/8" - Rock Rail - Box 2 - 3638139



1pc. - **[2475]** - 2 x 4 x 68" - FR Floor Support - Box 2 - 3632475



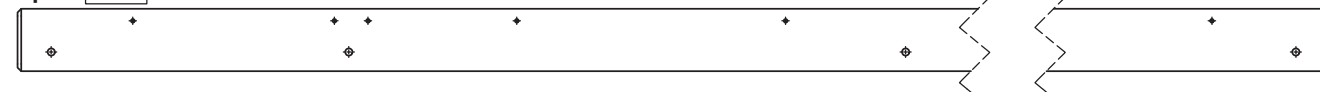
1pc. - **[2476]** - 2 x 4 x 68" - Floor Joist - Box 2 - 3632476



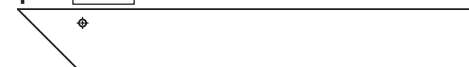
1pc. - **[2477]** - 2 x 4 x 68" - Back Floor Support - Box 2 - 3632477



2pc. - **[2473]** - 2 x 4 x 102" - Post - Box 4 - 3632473



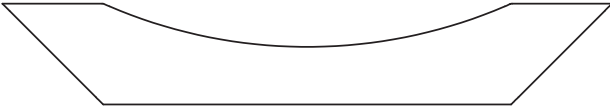
2pc. - **[2521]** - 1-1/4 x 3-3/8 x 23-3/4" - SW Side Post - Box 4 - 3632521



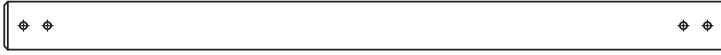
Part Identification (Reduced Part Size)

Nominal Size	Actual Size
2 x 6	1-1/4 x 5-1/4
2 x 3	1-3/8 x 2-1/2
2 x 4	1-3/8 x 3-3/8
2 x 2	1-1/2 x 1-1/2
2 x 6	1-1/2 x 5-3/8
2 x 3-3/8	2 x 3-3/8

1pc. - **2523** - 2 x 6 x 31-3/4" - Lower Gable - Box 3 - 3632523



4pc. - **2511** - 2 x 3 x 37-5/8" - Nest Post - Box 3 - 3632511



1pc. - **4919** - 2 x 4 x 5-3/8" - SW Rail Block - Box 4 - 3644919



3pc. - **2340** - 2 x 4 x 8-5/8" - Crowsnest Joist - Box 4 - 3632340



1pc. - **8069** - 2 x 4 x 10" - Dormer Cleat - Box 3 - 3638069



2pc. - **2338** - 2 x 4 x 27-1/2" - Crowsnest Face - Box 3 - 3632338



1pc. - **2501** - 2 x 4 x 38-1/2" - Crowsnest Top - Box 3 - 3632501



1pc. - **2502** - 2 x 4 x 38-1/2" - Crowsnest Floor End - Box 3 - 3632502



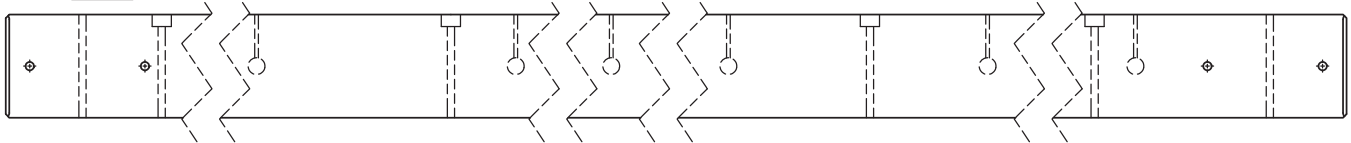
1pc. - **2472** - 2 x 4 x 46-1/2" - Heavy SW Support - Box 3 - 3632472



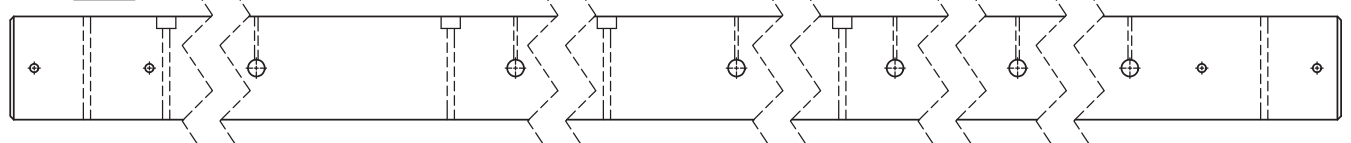
1pc. - **1856** - 2 x 4 x 48-5/16" - SW Upright - Box 3 - 3641856



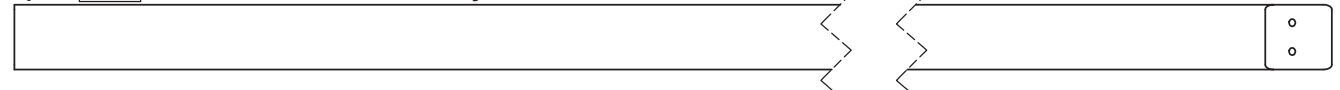
1pc. - **1248** - 2 x 6 x 94" - Front Beam - Box 3 - 3631248



1pc. - **1249** - 2 x 6 x 94" - Back Beam - Box 3 - 3631249



2pc. - **2471** - 2 x 3-3/8 x 86-11/16" - Heavy SW Post - Box 4 - 3632471



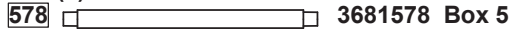
Part Identification (Reduced Part Size)

Nominal Size	Actual Size
2" x 4"	1 ³ / ₈ " x 3 ³ / ₈ "
2" x 3"	1 ³ / ₈ " x 2 ¹ / ₂ "
5/4" x 5"	1" x 4 ¹ / ₂ "
1" x 4"	5/8" x 3 ³ / ₈ "

(1) MK Ground 1 x 4 x 49-15/64



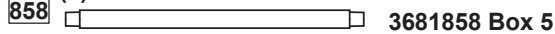
(3) Tennon Dowel 1 1/8" x 15 7/8"



(1) Short Diagonal 2 x 3 x 18"



(2) Tennon Dowel 1 1/8" x 18 5/8"



(1) MK Lower Back 5/4 x 5 x 34-1/8"



(1) Long Diagonal 2 x 3 x 42"



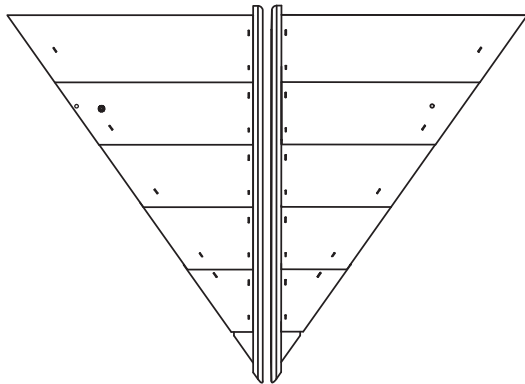
(2) MK Post 2 x 4 x 80-7/8"



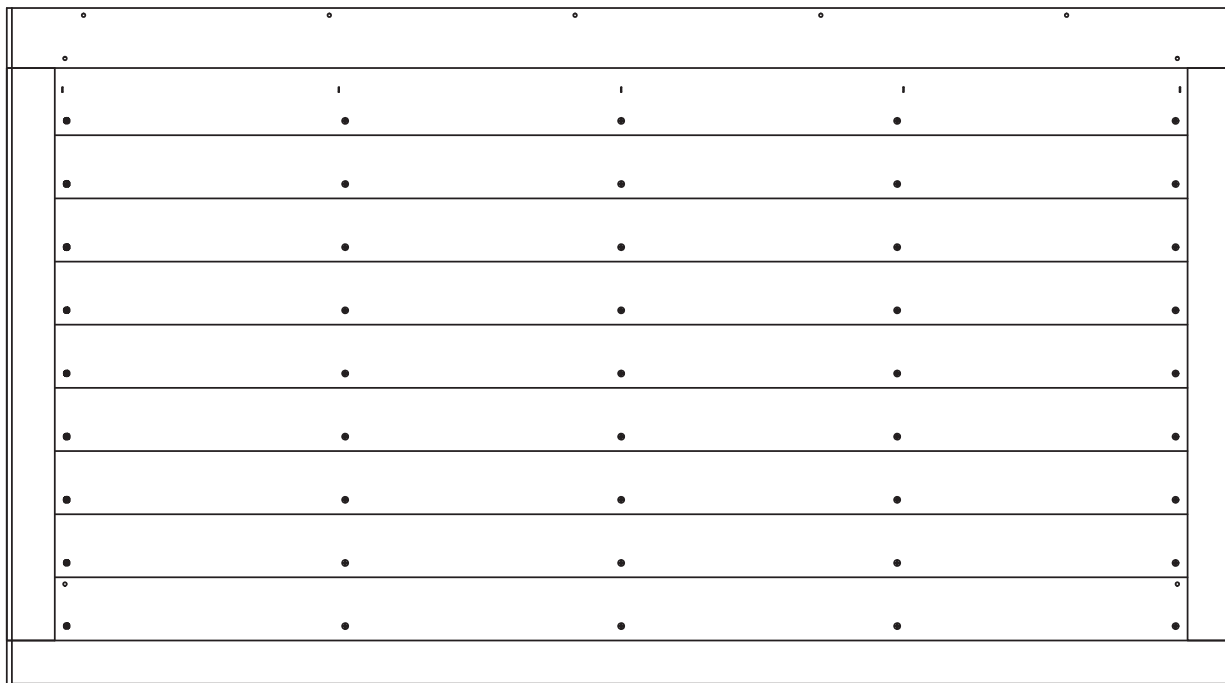
(2) MK Rail Short 2 x 4 x 50"



1pc. - [8068] - - Dormer Roof Set - Box 4 - 3638068

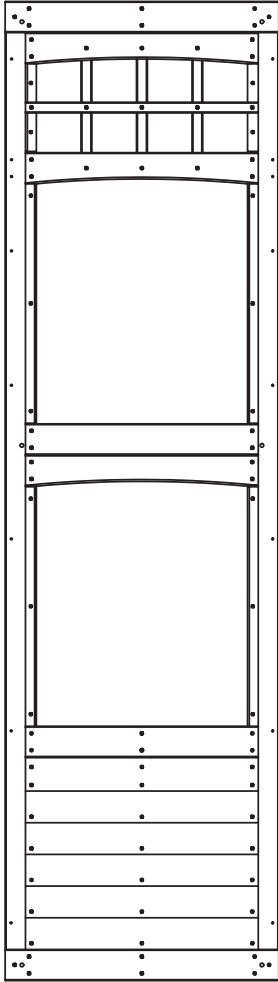


2pc. - [2525] - 1-1/4 x 35-7/16 x 64" - Roof Panel - Box 2 - 37632525

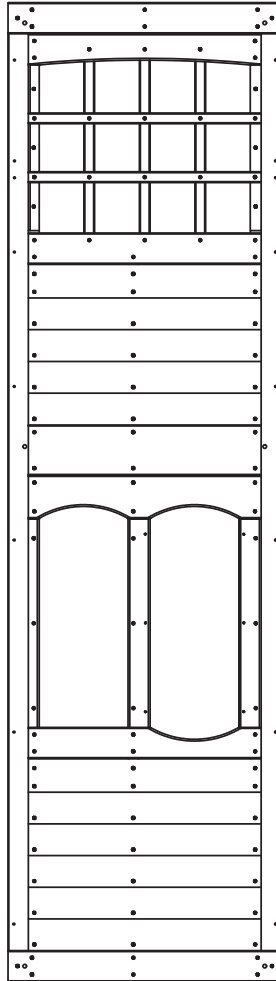


Part Identification (Reduced Part Size)

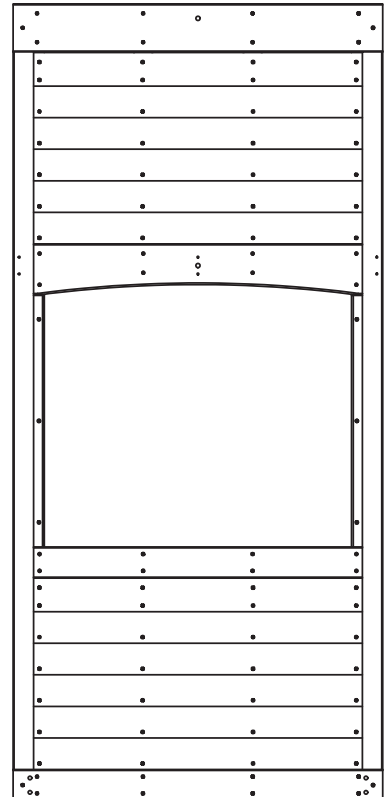
1pc. - [2526] - 1-1/4 x 28-1/2 x 102"
Cafe Panel - Box 4 - 37632526



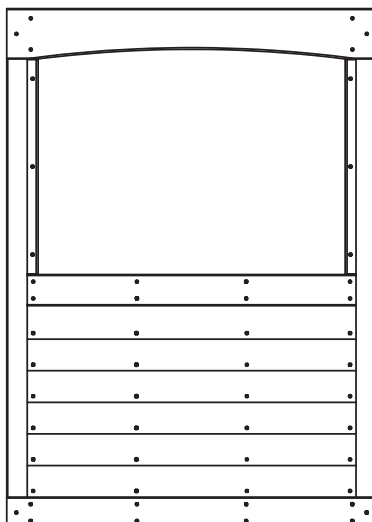
1pc. - [2527] - 1-1/4 x 28-1/2 x 102"
Chalkwall Panel - Box 4 - 37632527



1pc. - [2528] - 1-1/4 x 38-1/2 x 83"
SW Wall Panel - Box 2 - 37632528

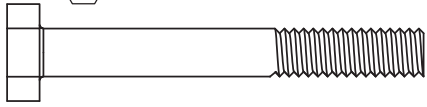


1pc. - [2529] - 1-1/4 x 38-1/2 x 54-1/8"
SL Side Panel - Box 2 - 37632529

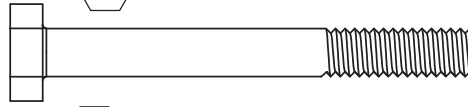


Hardware Identification (Actual Size)

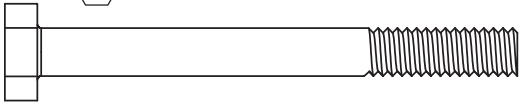
8pc. **H2** - Hex Bolt 1/4 x 2" - (9277220)



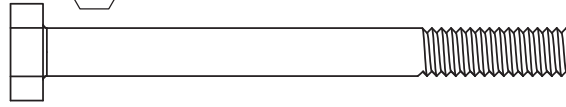
35pc. **H10** - Hex Bolt 1/4 x 2-1/4" - (9277221)



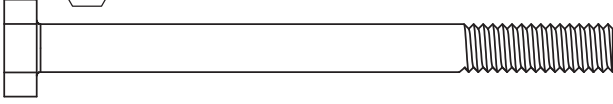
21pc. **H3** - Hex Bolt 1/4 x 2-1/2" - (9277222)



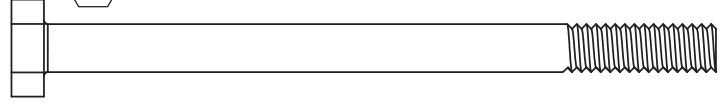
4pc. **H11** - Hex Bolt 1/4 x 2-3/4" - (9277223)



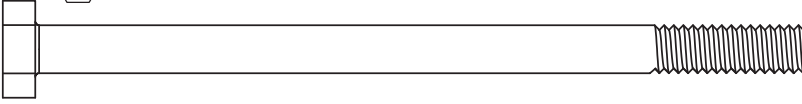
3pc. **H12** - Hex Bolt 1/4 x 3" - (9277230)



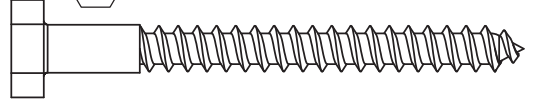
3pc. **H13** - Hex Bolt 1/4 x 3-1/2" - (9277232)



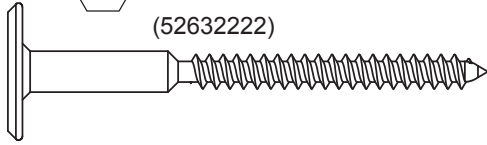
2pc. **H4** - Hex Bolt 1/4 x 4" - (9277240)



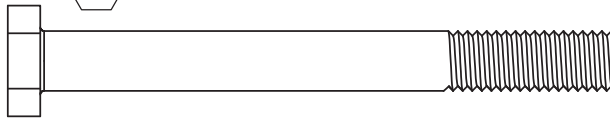
2pc. **LS2** - Lag Screw 1/4 x 2-1/2" - (9272222)



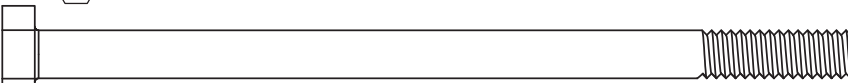
19pc. **WL5** - Wafer Lag 1/4 x 2-1/2" -
(52632222)



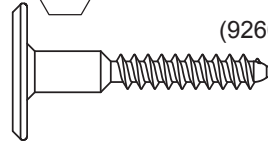
2pc. **G10** - Hex Bolt 5/16 x 3" - (9277330)



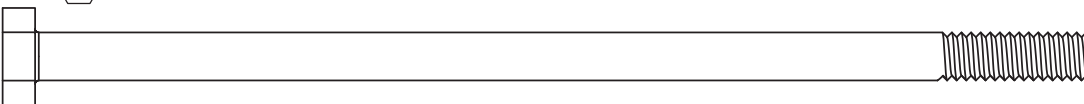
1pc. **H8** - Hex Bolt 1/4 x 4-1/4" - (9277241)



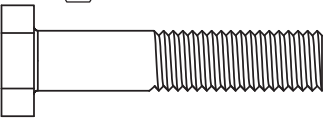
8pc. **WL3** - Wafer Lag 1/4 x 1-3/8" -
(9266216)



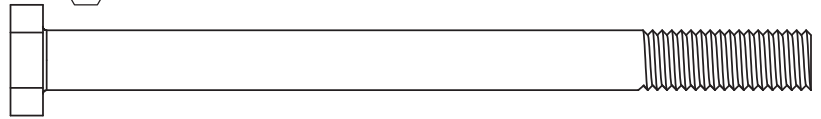
4pc. **H7** - Hex Bolt 1/4 x 5-1/2" - (9277252)



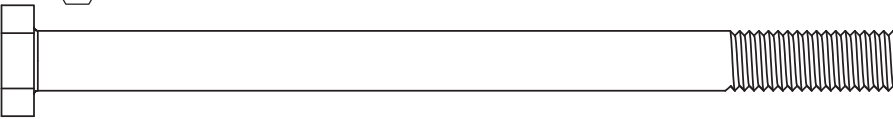
8pc. **G1** - Hex Bolt 5/16 x 1-1/2" - (9277312)



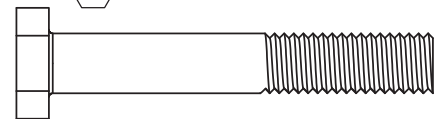
2pc. **G4** - Hex Bolt 5/16 x 4" - (9277340)



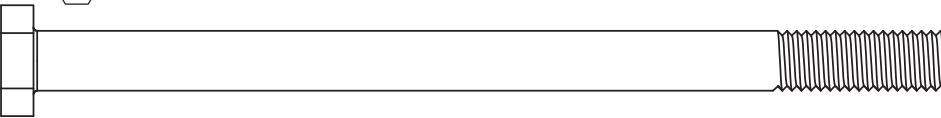
4pc. **G5** - Hex Bolt 5/16 x 4-1/2" - (9277342)



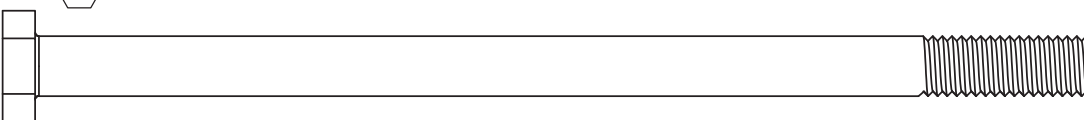
2pc. **G8** - Hex Bolt 5/16 x 2" - (9277320)



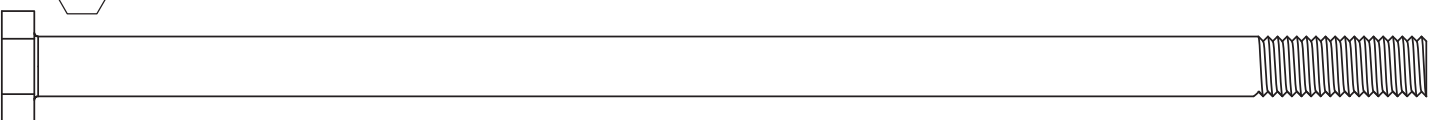
3pc. **G6** - Hex Bolt 5/16 x 4-3/4" - (9277343)



4pc. **G7** - Hex Bolt 5/16 x 5-1/2" - (9277352)



2pc. **G25** - Hex Bolt 5/16 x 7-1/4" - (9277471)

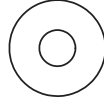


Hardware Identification (Actual Size)

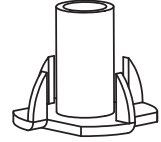
19pc. **LW2** - 5/16" Lock Washer - (9253300)



15pc. **FW0** - 3/16" Flat Washer - (9251100)



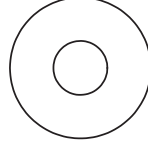
89pc. **TN1** - 1/4" T - Nut - (9285200)



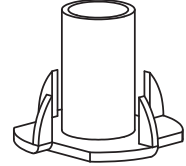
96pc. **LW1** - 1/4" Lock Washer - (9253200)



103pc. **FW1** - 1/4" Flat Washer - (9251200)



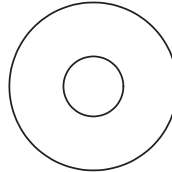
19pc. **TN2** - 5/16" T - Nut - (9285300)



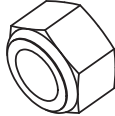
91pc. **LN1** - 1/4 Lock Nut - (9283200)



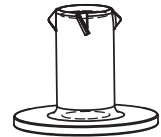
45pc. **FW2** - 5/16" Flat Washer - (9251300)



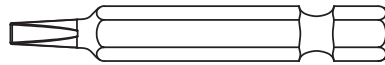
12pc. **LN2** - 5/16" Lock Nut - (9283300)



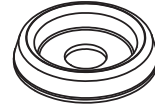
7pc. **BN1** - 1/4" Barrel Nut - (9248200)



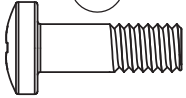
1pc. - **D4** - #2 x 2" Robertson Driver Bit - (9200014)



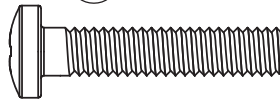
8pc. **FW6** - #12 Screw Bezel - (9299500)



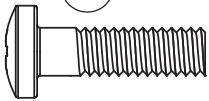
89pc. **PB1** - Pan Bolt 1/4 x 3/4" - (9274203)



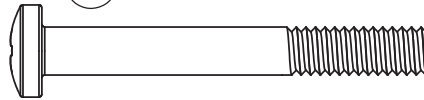
12pc. **PB2** - Pan Bolt 1/4 x 1-1/4" - (9274211)



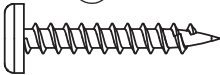
5pc. **PB6** - Pan Bolt 1/4 x 1" - (9274210)



2pc. **PB5** - Pan Bolt 1/4 x 2" - (9274220)



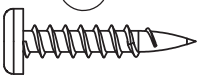
22pc. **S5** - Pan Screw #8 x 1/2" - (9264504)



22pc. **S1** - Wood Screw #8 x 1-1/8" - (9290514)



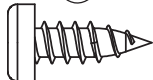
8pc. **S10** - Pan Screw #8 x 1" - (9264510)



236pc. **S20** - Wood Screw #8 x 1-3/8" - (9260516)



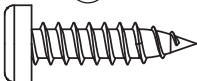
40pc. **S8** - Pan Screw #12 x 3/4" - (9264603)



95pc. **S15** - Wood Screw #8 x 1-3/4" - (9260513)



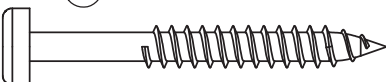
23pc. **S6** - Pan Screw #12 x 1" - (9264610)



64pc. **S3** - Wood Screw #8 x 2-1/2" - (9290522)



61pc. **S7** - Pan Screw #12 x 2" - (9264620)



28pc. **S4** - Wood Screw #8 x 3" - (9290530)



Part Identification (Reduced Part Size)

1x - Telescope w/ Mount (3320161)

2x - Hand Grip (2Pk) (3320240) -Yellow

1x - KidKraft Logo Plaque (3320353)

1x - KidKraft ID Plaque (9320374)

1x - EN71 Hand Rail (9200223) -Yellow

1x - Plastic Swing Hanger Cover (8Pk) (3793000)

1x - TNR 2 Slide Support (9200226)

1x - Spin Chalk Sign (3320715)

1x - Bolt Thru Swing Hanger (4Pk) (3202000)

1x - Glider Hanger (2pk) (3200202)

1x - Maze N Wave 2.5m Slide (3318120)

2x - Space Glider Handle (3320177) Green

1x - Space Glider Body (3320268) Yellow

1x - Rocks (7pk) (3320387) -Green/Yellow

1x - 39" Glider Rope & Chain (4Pk) (3533860)

1x - Quadrex Driver (9200015)

10x - TNR 2 Clamp Ring (9300220) (Yellow)
10pcs number 3300220

1x - TNR 2 Slide Exit Top (3310224)

2x - 42" Belt Swing w/ Welded Chain (3724943) Yellow

1x - TNR 2 Post Mount (9200203)

1x - TNR 2 Slide Exit (3310220)

1x - (4pk) Swing Bracket Set (3201532) -Green

9x - TNR 2 Slide Elbow (3310221)

1x - TNR 2 Slide Rt Flange (3310223)

1x - TNR 2 Slide Lt Flange (3310222)

1x - Bayfield Retreat Brkt Set (3203910)

2x - Monkey Bracket (9200300)

1x - Triangle Plate (4pk) (3200184) Green

2x - MB Hanger Bracket (9200141)

1x - TNR 2 Slide Rt Flange (3310223)

1x - TNR 2 Slide Lt Flange (3310222)

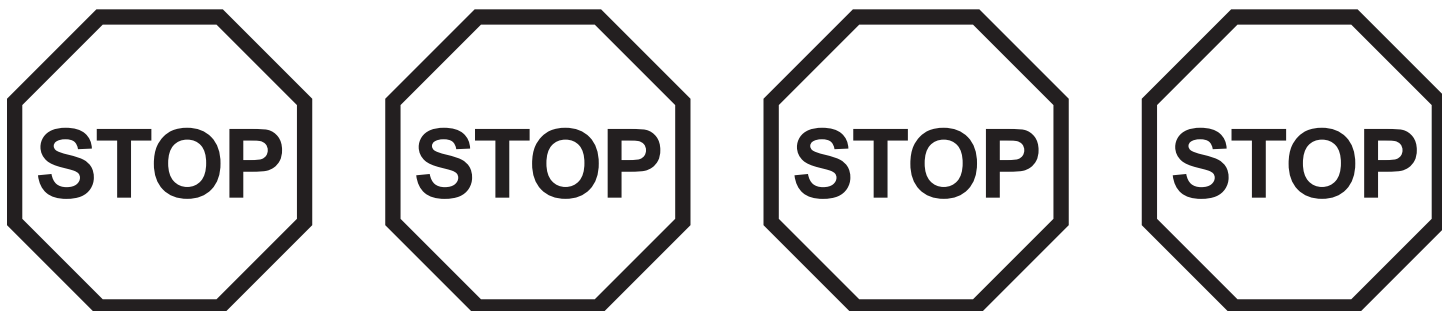
1x - Wall Angle Bracket (9201580)

4x - Corner Bracket (9201570)

2x - Flat Panel Brkt (9200633)

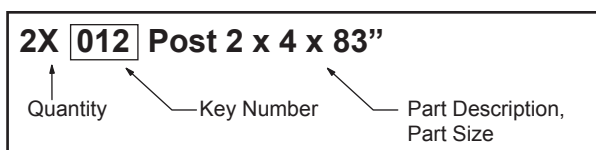
8x - Corner Panel Brkt (9200628)

First Step: Inventory Parts - Read This Before Starting Assembly



A. This is the time for you to inventory all your hardware, wood and accessories, referencing the parts identification sheets. This will assist you with your assembly.

- The wood pieces will have the key number stamped on the ends of the boards. Organize the wood pieces by step, as per the key numbering system below.



Key Number: The first two digits represent the step number. The third digit represents the piece. Note that if the part is used in multiple steps then the number only reflects the first step it is used in.

- Please refer to Page 6 for proper hardware assembly.
- Each step indicates which bolts and/or screws you will need for assembly, as well as any flat washers, lock washers, t-nuts or lock nuts.

B. If there are any missing or damaged pieces or you need assistance with assembly please contact the consumer relations department directly. Call us before going back to the store.

1.800.933.0771 or 972.385.0100
 customerservice@kidkraft.com
 canadacustomerservice@kidkraft.com
 For online parts replacement visit
<https://parts.kidkraft.com/>

+31 20 305 8620
 europecustomerservice@KidKraft.com
 For online parts replacement visit
<https://parts.kidkraft.eu/>

C. Read the assembly manual completely, paying special attention to ANSI warnings; notes; and safety/maintenance information on pages 1 - 6.

D. Before you discard your cartons fill out the form below.

- The carton I.D. stamp is located on the end of each carton. The tracking number is located on the KidKraft ID Plaque (9320374).
- Please retain this information for future reference. You will need this information if you contact the Consumer Relations Department.

MODEL NUMBER: F23931

CARTON I.D. STAMP: ___ ___ ___ ___ 14459 ___ (Box 1)

CARTON I.D. STAMP: ___ ___ ___ ___ 14459 ___ (Box 4)

CARTON I.D. STAMP: ___ ___ ___ ___ 14459 ___ (Box 2)

CARTON I.D. STAMP: ___ ___ ___ ___ 14459 ___ (Box 5)

CARTON I.D. STAMP: ___ ___ ___ ___ 14459 ___ (Box 3)

CARTON I.D. STAMP: ___ ___ ___ ___ 14459 ___ (Box 6)

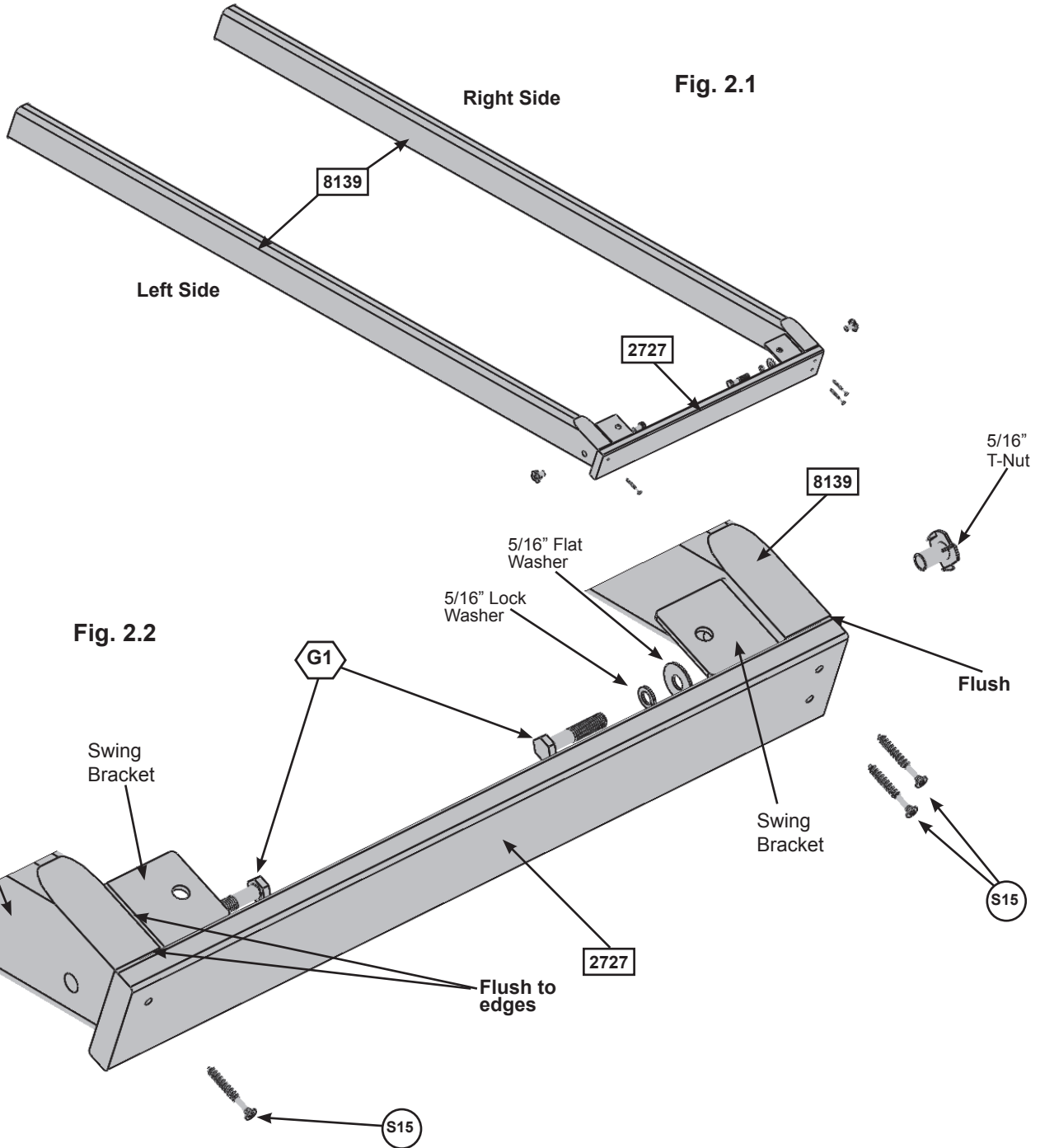
TRACKING NUMBER (from ID Plaque): _____

Step 2: Rockwall Assembly Part 1



A: Attach Swing Brackets flush to the inside top of each (8139) Rock Rail at angled edge using 1 (G1) 5/16 x 1-1/2" Hex Bolt (with lock washer, flat washer and t-nut) per bracket. Edge of Swing Bracket is flush with edges of Access Rails. (fig. 2.1 and 2.2)

B: Place (2727) Rockwall Top at the top of the (8139) Rock Rails so it is flush on the right side then attach with 3 (S15) #8 x 1-3/4" Wood Screws. (fig. 2.1 and 2.2)



Wood Parts

- 2 x 8139 Rock Rail 2 x 4 x 62-7/8"
- 1 x 2727 Rockwall Top 5/8 x 2-3/4 x 19-3/4"

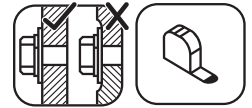
Hardware

- 3 x S15 #8 x 1-3/4" Wood Screw
- 2 x G1 5/16 x 1-1/2" Hex Bolt
(5/16" lock washer, 5/16" flat washer, 5/16" t-nut)

Other Parts

- 2 x Swing Bracket

Step 2: Rockwall Assembly Part 2



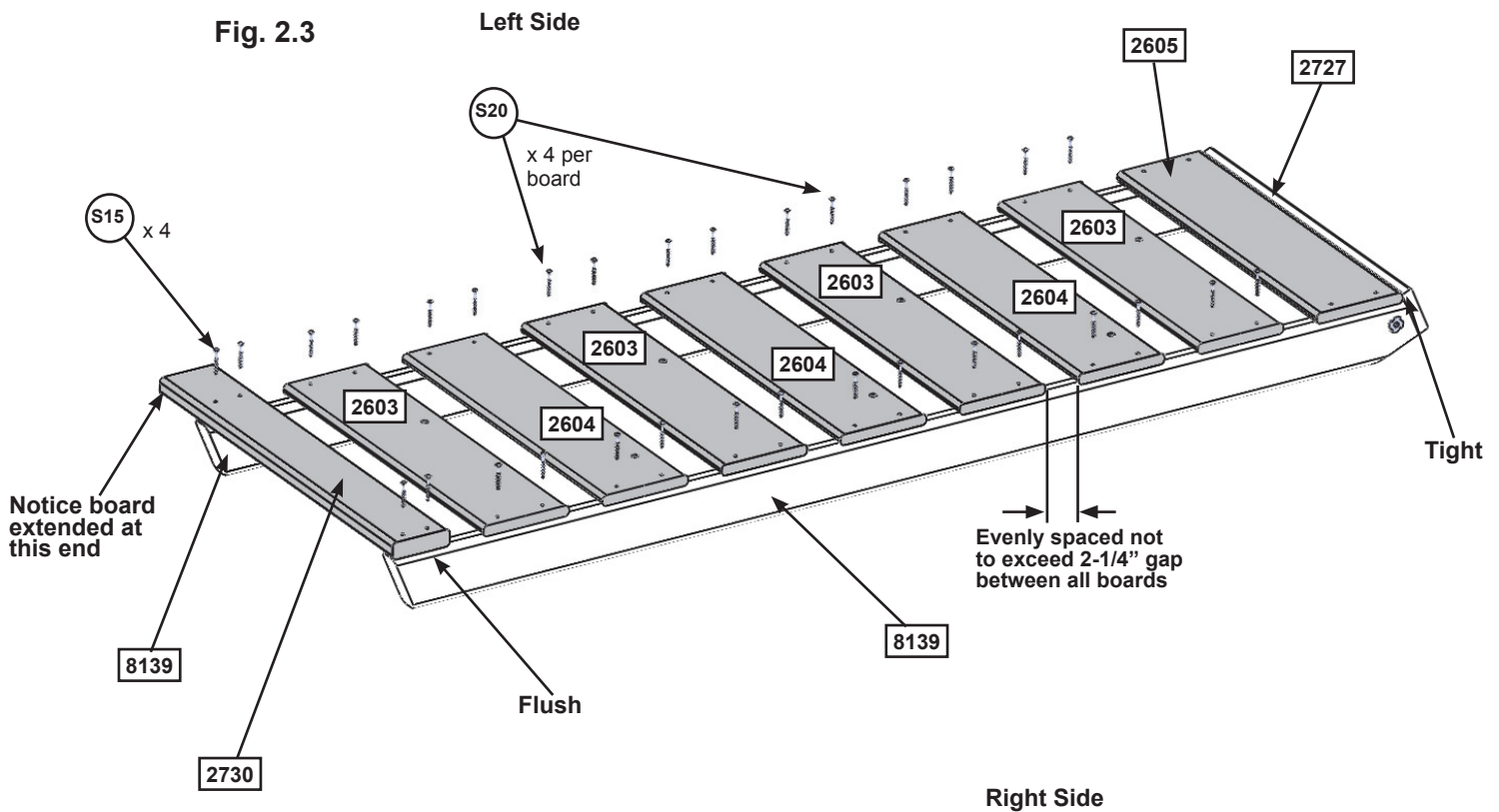
C: Place (2605) Access Board on (8139) Rock Rails, tight to (2727) Rockwall Top. Pilot holes to line up over (8139) Rock Rails. Do not attach to rails in this step, it is being used as a guide. (fig. 2.3)

D: Place (2730) Rockwall Brace flush to the bottom of (8139) Rock Rails and flush to the right side (8139) Rock Rail so it overhangs the left side, pilot holes to line up over (8139) Rock Rails, then attach with 4 (S15) #8 x 1-3/4" Wood Screws. (fig. 2.3)

E: In between the (2605) Access Board and (2730) Rockwall Brace stagger 4 (2603) Rock Board As and 3 (2604) Rock Board Bs. Make sure the boards are evenly spaced and do not exceed 2-1/4" between boards. Then attach using 4 (S20) #8 x 1-3/8" Wood Screws per board. Placing them as shown in fig. 2.3 will prevent rocks from forming a straight line.

F: Set aside (2605) Access Board. It will be attached in Step 14, Part 1.

Fig. 2.3



Wood Parts

- 1 x (2605) Access Board 1 x 6 x 19-3/4"
- 4 x (2603) Rock Board A 1 x 6 x 19-3/4"
- 3 x (2604) Rock Board B 1 x 6 x 19-3/4"
- 1 x (2730) Rockwall Brace 5/4 x 4 x 23"

Hardware

- 4 x (S15) #8 x 1-3/4" Wood Screw
- 28 x (S20) #8 x 1-3/8" Wood Screw

Step 3: Attach Rocks

A: Alternating colours and shapes, attach 1 rock to each rock board using 1 (PB2) 1/4 x 1-1/4" Pan Bolt (with 1/4" lock washer, 3/16" flat washer and 1/4" barrel nut) and 1 (S10) #8 x 1" Pan Screw per rock. (fig. 3.1 and 3.2)

The Pan Screw is placed in the hole beneath the Pan Bolt. (fig. 3.1 and 3.2)

Note: Make sure all hardware is used to secure each rock properly.

Fig. 3.1

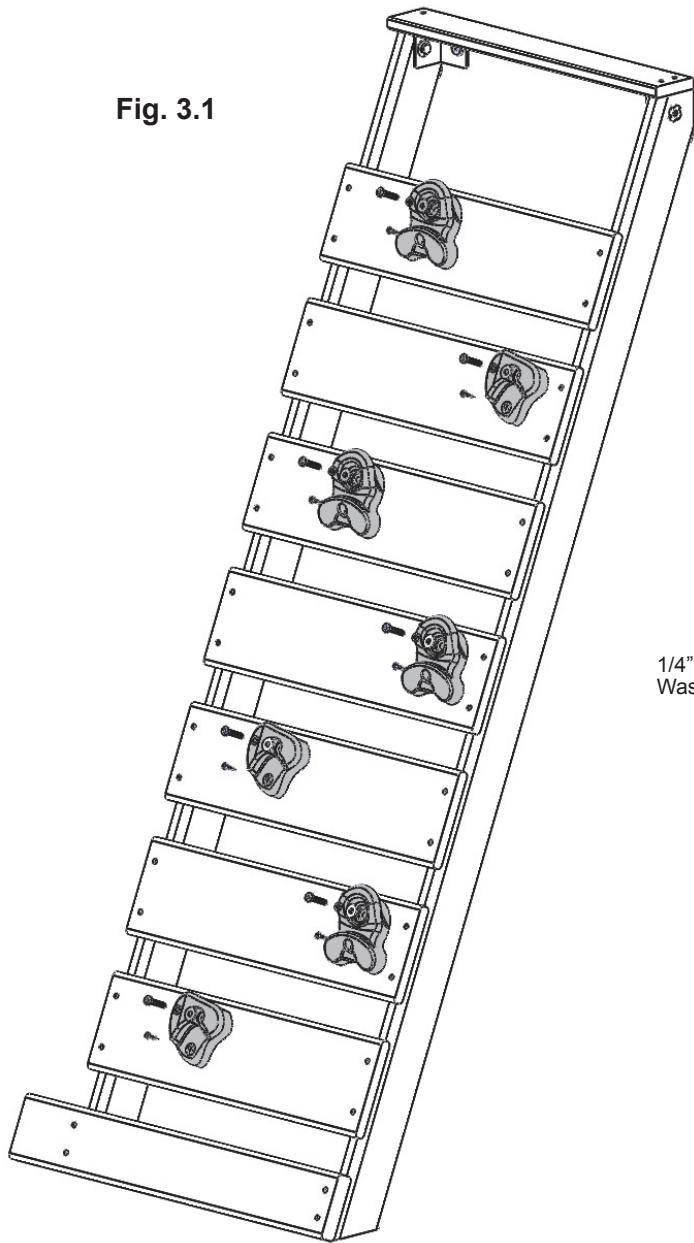
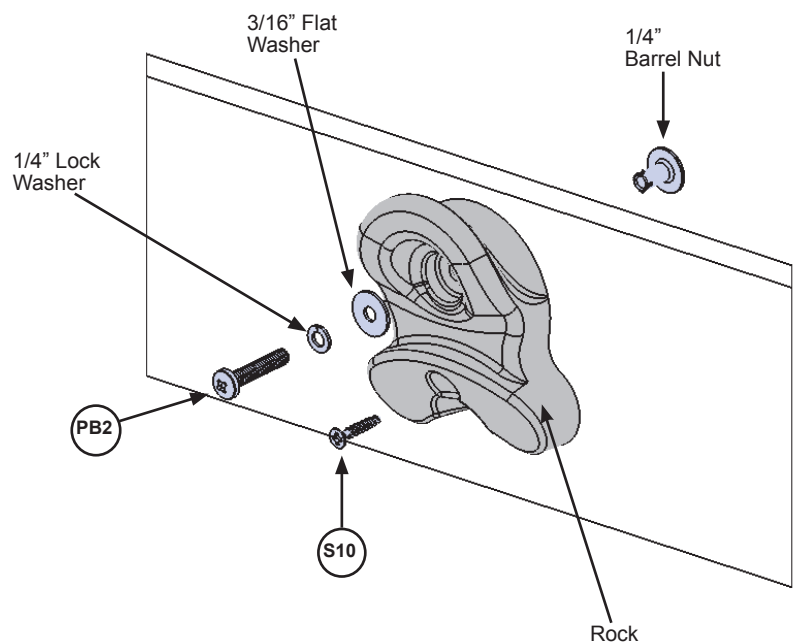


Fig. 3.2



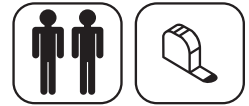
Hardware

- 7 x  1/4 x 1-1/4" Pan Bolt
(1/4" lock washer, 3/16" flat washer & 1/4" barrel nut)
- 7 x  #8 x 1" Pan Screw

Other Parts

- 7 x Rocks (green/yellow)

Step 4: Swing Wall Panel Assembly Part 1



A: Place (2528) SW Wall Panel on the ground then measure 4" up from the bottom of the panel and 4" down from the top of the panel on both sides and attach four 2 x 2-1/4" Corner Panel Brackets to the panel with 2 (S8) #12 x 3/4" Pan Screws per bracket. The flat edges of the brackets sit flat against the panel. (fig. 4.1 and 4.2)

B: With a helper hold (2526) Cafe Panel up against the right side edge of (2528) SW Wall Panel so the bottom edges are flush. Attach Corner Panel Brackets to (2526) Cafe Panel with 2 (S8) #12 x 3/4" Pan Screws per bracket. (fig. 4.1 and 4.2)

C: Place (2473) Post up against the left side of (2528) SW Wall Panel so the bottom edges are flush, noticing the hole locations in the top of the board, then attach Corner Panel Brackets to (2473) Post with 2 (S8) #12 x 3/4" Pan Screws per bracket. (fig. 4.1 and 4.2)

Fig. 4.2

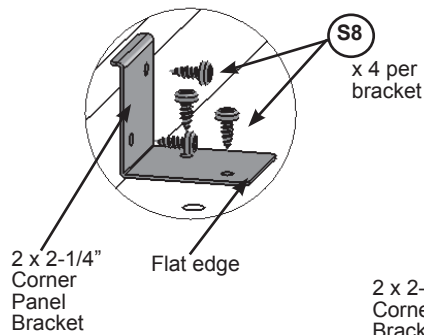
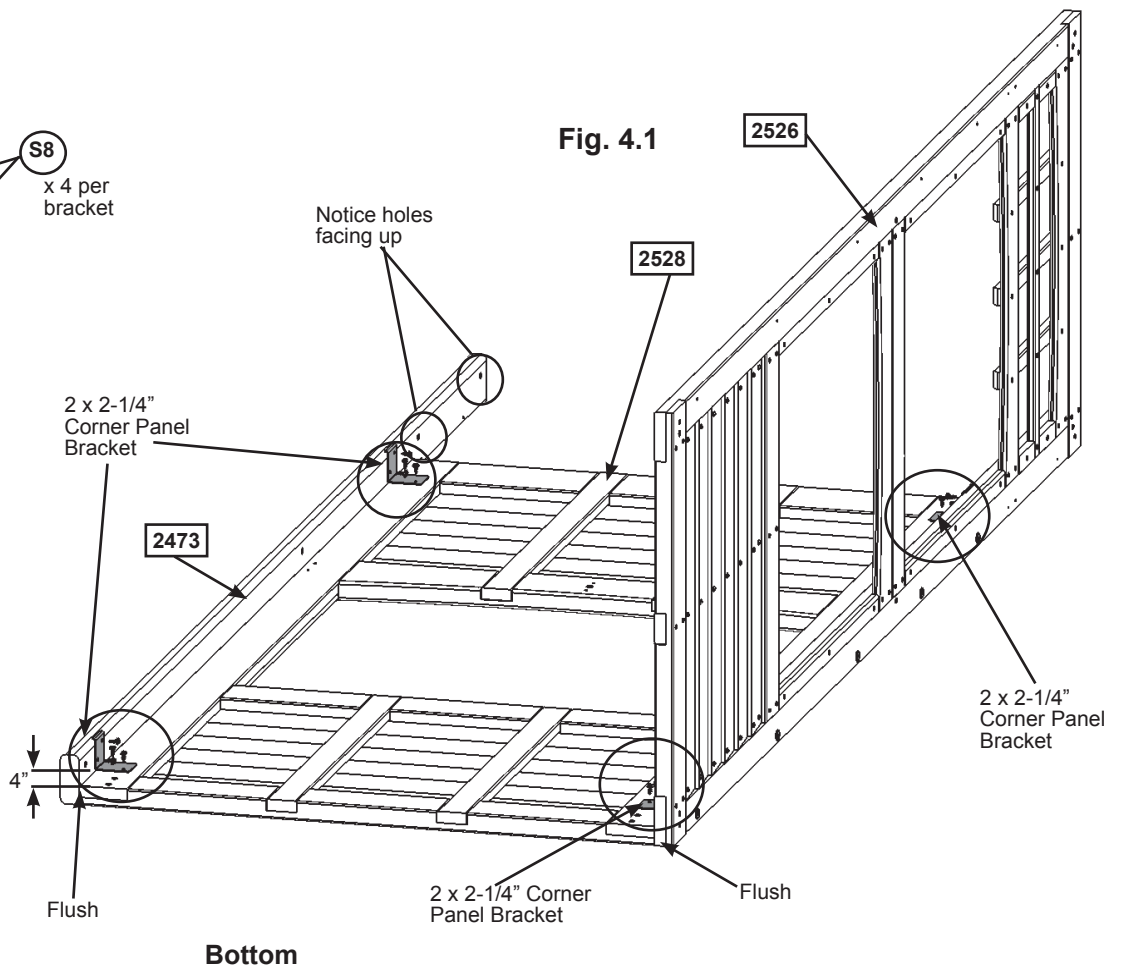


Fig. 4.1



Wood Parts

- 1 x 2526 Cafe Panel 1-1/4 x 28-1/2 x 102"
- 1 x 2528 SW Wall Panel 1-1/4 x 38-1/2 x 83"
- 1 x 2473 Post 2 x 4 x 102"

Hardware

- 16 x S8 #12 x 3/4" Pan Screw

Other Parts

- 4 x 2 x 2-1/4" Corner Panel Bracket

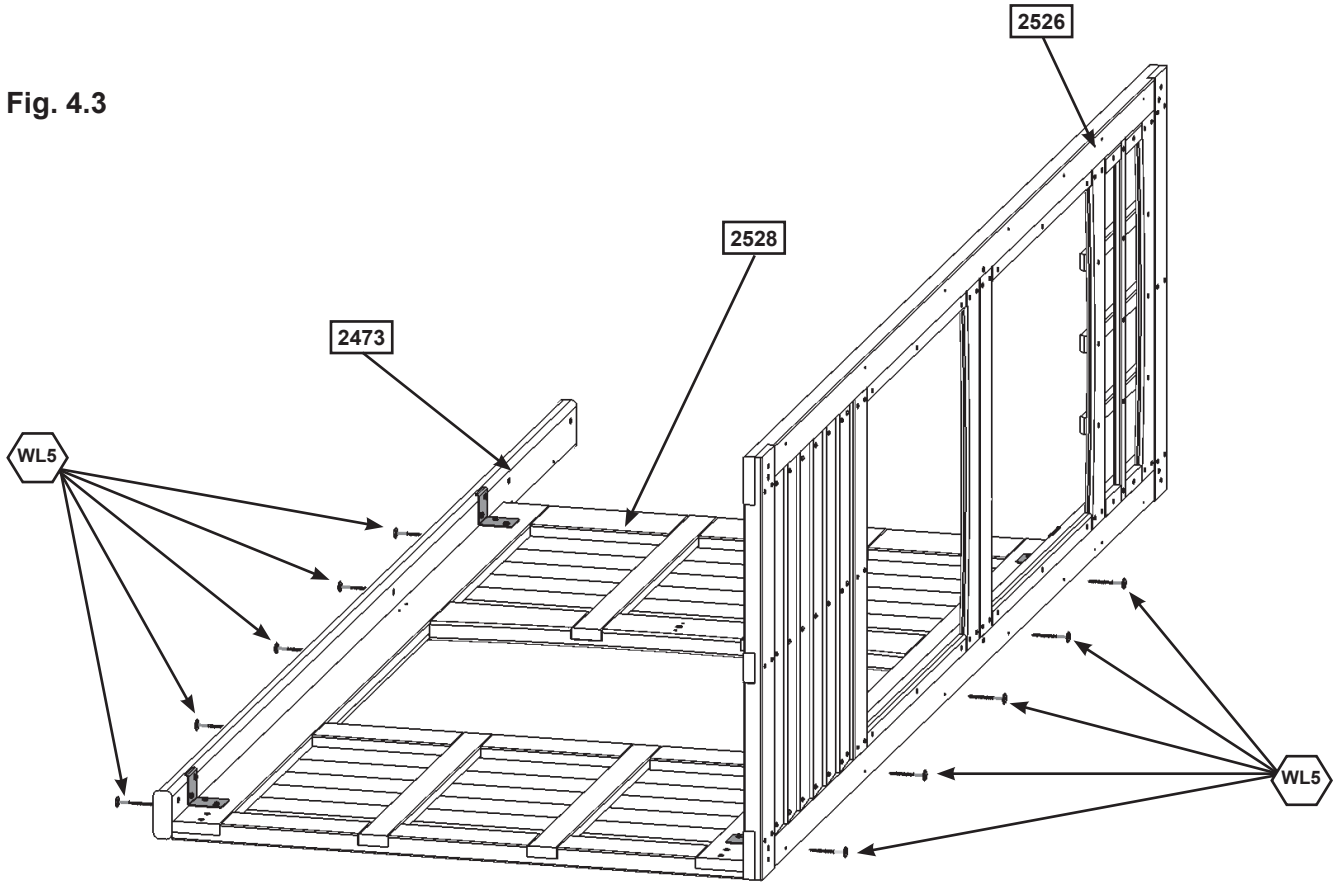
Step 4: Swing Wall Panel Assembly Part 2



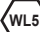
Note: Make sure panels are square and flush to each other. (fig. 4.3)

D: Pre-drill with a 3/16" drill bit, then fasten the (2526) Cafe Panel and (2473) Post to (2528) SW Wall Panel with 5 (WL5) 1/4 x 2-1/2" Wafer Lags per panel. (fig. 4.3)

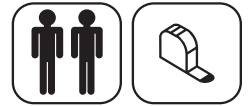
Fig. 4.3



Hardware

10 x  1/4 x 2-1/2" Wafer Lag

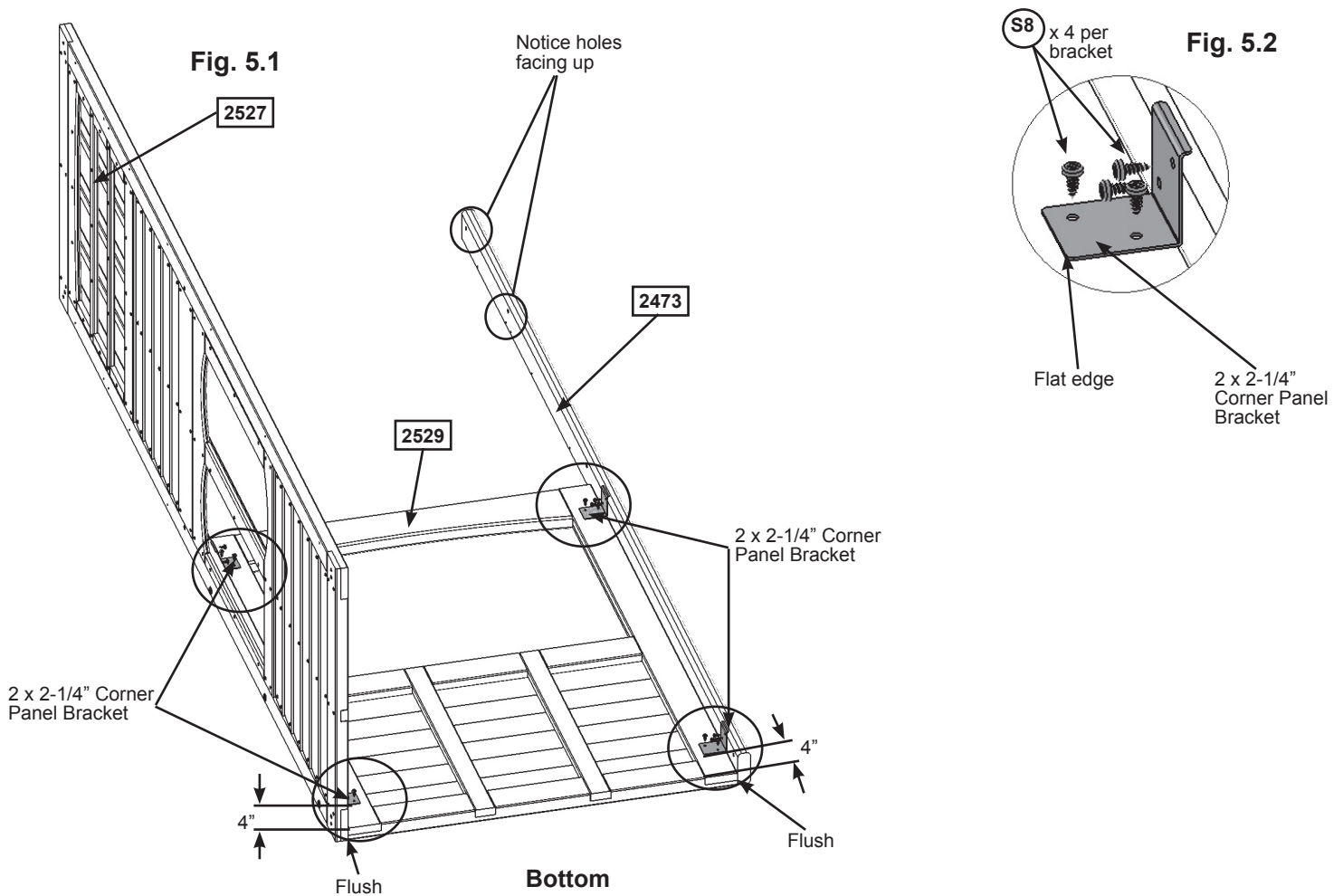
Step 5: Slide Wall Panel Assembly Part 1



A: Place (2529) SL Side Panel on the ground then measure 4" up from the bottom of the panel and 4" down from the top of the panel on both sides and attach four 2 x 2-1/4" Corner Panel Brackets to the panel with 2 (S8) #12 x 3/4" Pan Screws per bracket. The flat edge of the bracket must be sitting flat against the panel. (fig. 5.1 and 5.2)

B: With a helper hold (2527) Chalkwall Panel up against the left side edge of (2529) SL Side Panel so the bottom edges are flush. Attach Corner Panel Brackets to (2527) Chalkwall Panel with 2 (S8) #12 x 3/4" Pan Screws per bracket. (fig. 5.1 and 5.2)

C: Place (2473) Post up against the right side of (2529) SL Side Panel so the bottom edges are flush, noticing the hole locations in the top of the board, then attach Corner Panel Brackets to (2473) Post with 2 (S8) #12 x 3/4" Pan Screws per bracket. (fig. 5.1 and 5.2).



Wood Parts

- 1 x 2527 Chalkwall Panel 1-1/4 x 28-1/2 x 102"
- 1 x 2529 SL Side Panel 1-1/4 x 38-1/2 x 54-1/8"
- 1 x 2473 Post 2 x 4 x 102"

Hardware

- 16 x S8 #12 x 3/4" Pan Screw

Other Parts

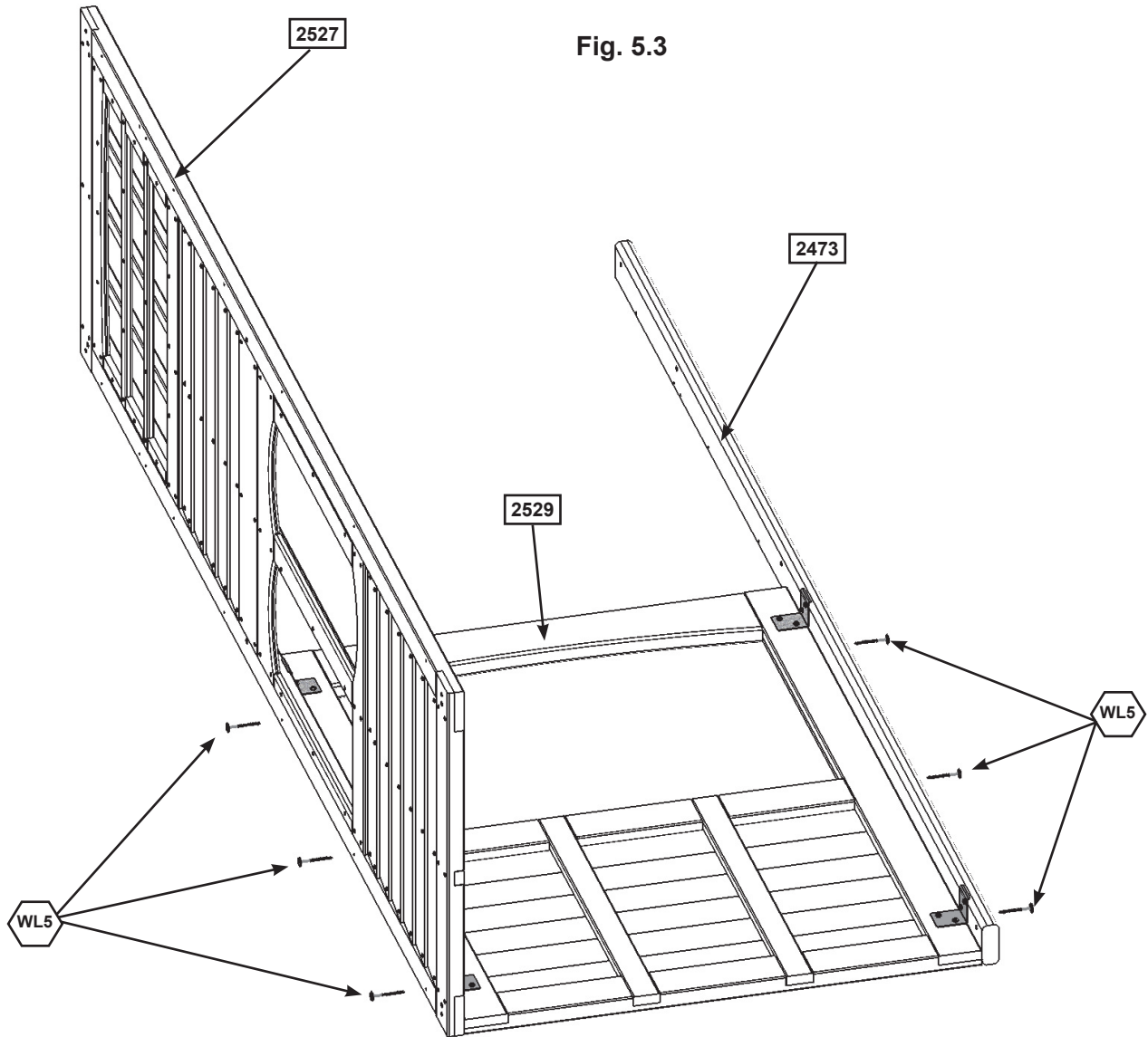
- 4 x 2 x 2-1/4" Corner Panel Bracket

Step 5: Slide Wall Panel Assembly Part 2




Note: Make sure panels are square and flush to each other. (fig. 5.3)

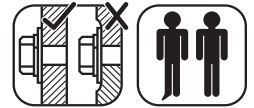
D: Pre-drill with a 3/16" drill bit, then fasten the (2527) Chalkwall Panel and (2473) Post to (2529) SL Side Panel with 3 (WL5) 1/4 x 2-1/2" Wafer Lags per panel. (fig. 5.3)



Hardware

6 x  1/4 x 2-1/2" Wafer Lag

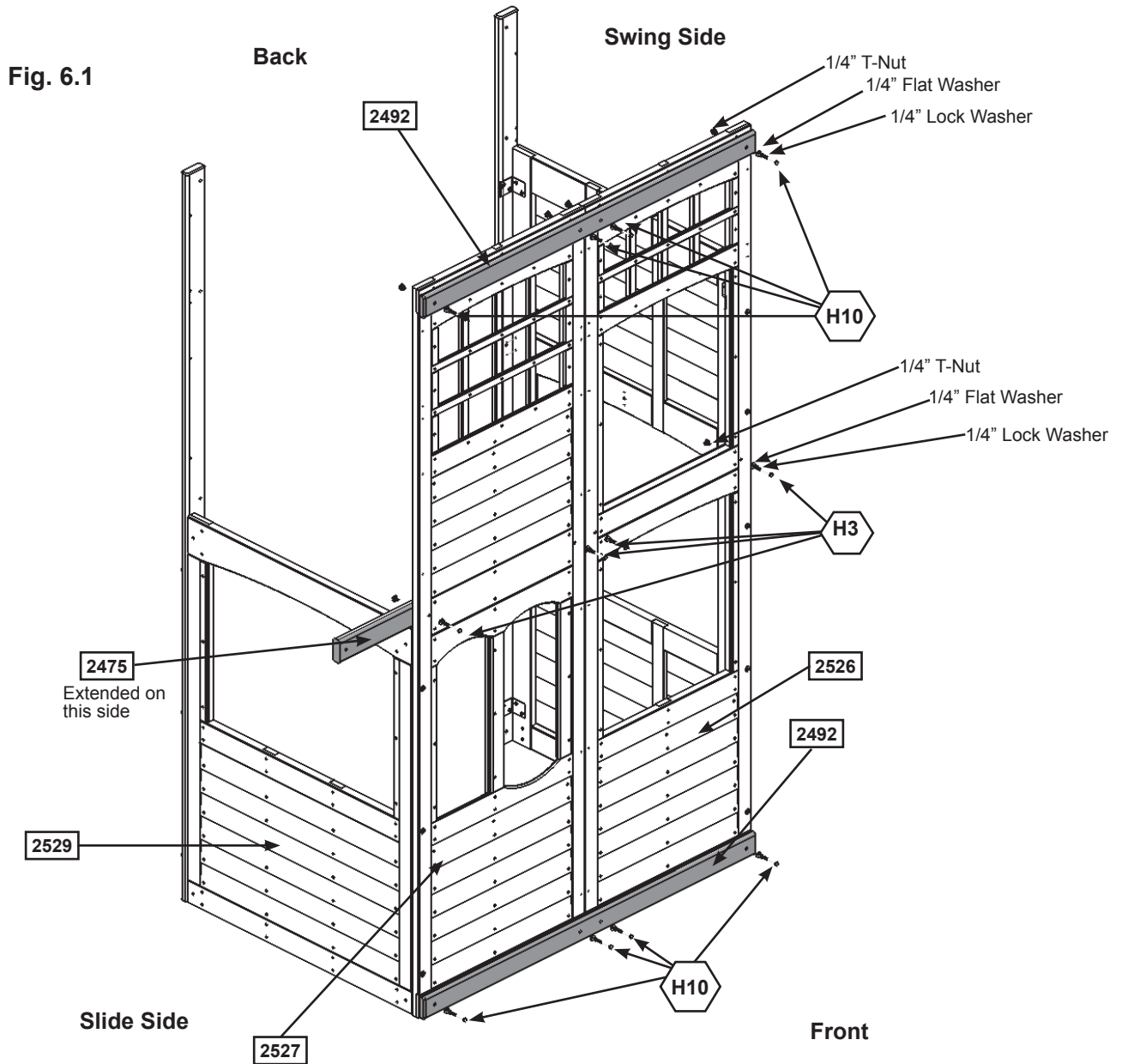
Step 6: Join Slide Wall and Swing Wall Assemblies



A: With a helper lift the Swing Wall Assembly and Slide Wall Assembly so the (2526) Cafe Panel and (2527) Chalkwall Panel are tight together. (fig. 6.1)

B: Attach 1 (2492) Front Top Bottom to the bottom and 1 to top of (2526) Cafe Panel and (2527) Chalkwall Panel with 4 (H10) 1/4 x 2-1/4" Hex Bolts (with lock washer, flat washer and t-nut) per board as shown in fig. 6.1.

C: Attach (2475) FR Floor Support to the centre of (2526) Cafe Panel and (2527) Chalkwall Panel so one end extends past the Slide Side using 4 (H3) 1/4 x 2-1/2" Hex Bolts (with lock washer, flat washer and t-nut) as shown in fig. 6.1.



Wood Parts

- 2 x **2492** Front Top Bottom 5/4 x 4 x 57"
- 1 x **2475** FR Floor Support 2 x 4 x 68"

Hardware

- 8 x **H10** 1/4 x 2-1/4" Hex Bolt
(1/4" lock washer, 1/4" flat washer, 1/4" t-nut)
- 4 x **H3** 1/4 x 2-1/2" Hex Bolt
(1/4" lock washer, 1/4" flat washer, 1/4" t-nut)

Step 7: Top Swing Side Wall Assembly

A: Place 1 (2521) SW Side Post tight to the top and flush to the front face of (2528) SW Wall Panel and flush to the outside edge of (2526) Cafe Panel. Attach with 3 (S3) #8 x 2-1/2" Wood Screws. (fig. 7.1 and 7.2)

B: Place a second (2521) SW Side Post tight to the top and flush to the front face of (2528) SW Wall Panel and flush to the outside edge of (2473) Post. Attach with 3 (S3) #8 x 2-1/2" Wood Screws. (fig. 7.1 and 7.2)

Fig. 7.1

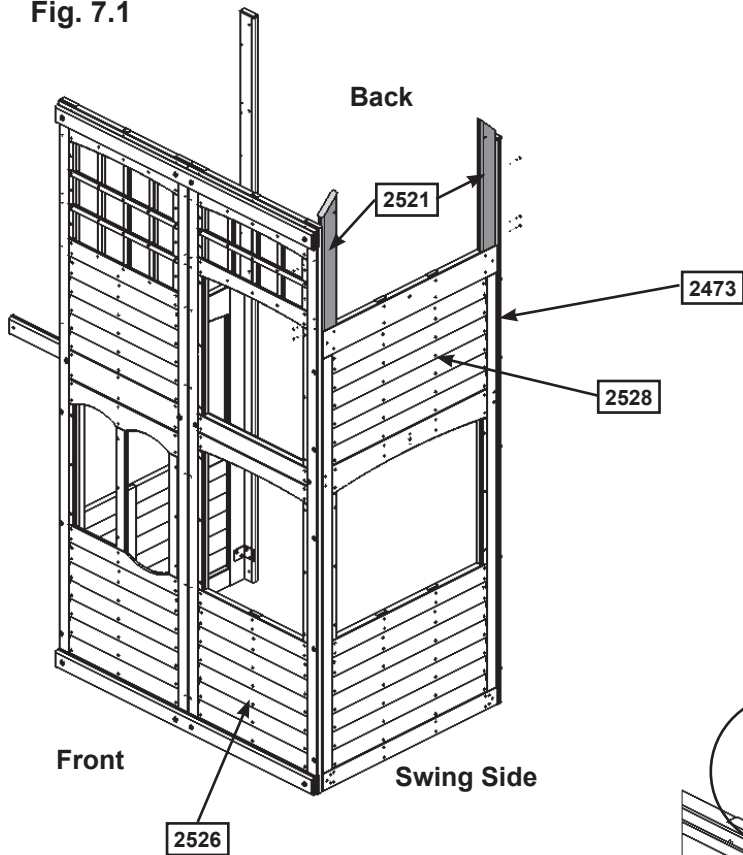
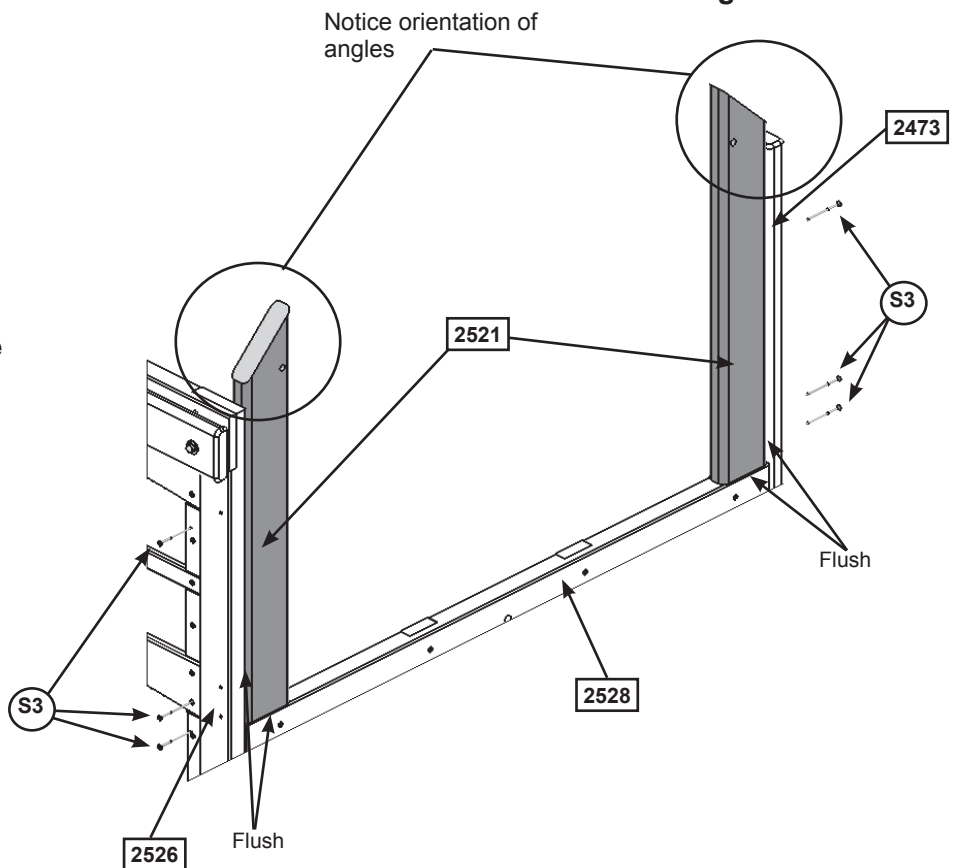


Fig. 7.2



Wood Parts

2 x 2521 SW Side Post 1-1/4 x 3-3/8 x 23-3/4"

Hardware

6 x S3 #8 x 2-1/2" Wood Screw

Step 8: Back Wall Assembly Part 1



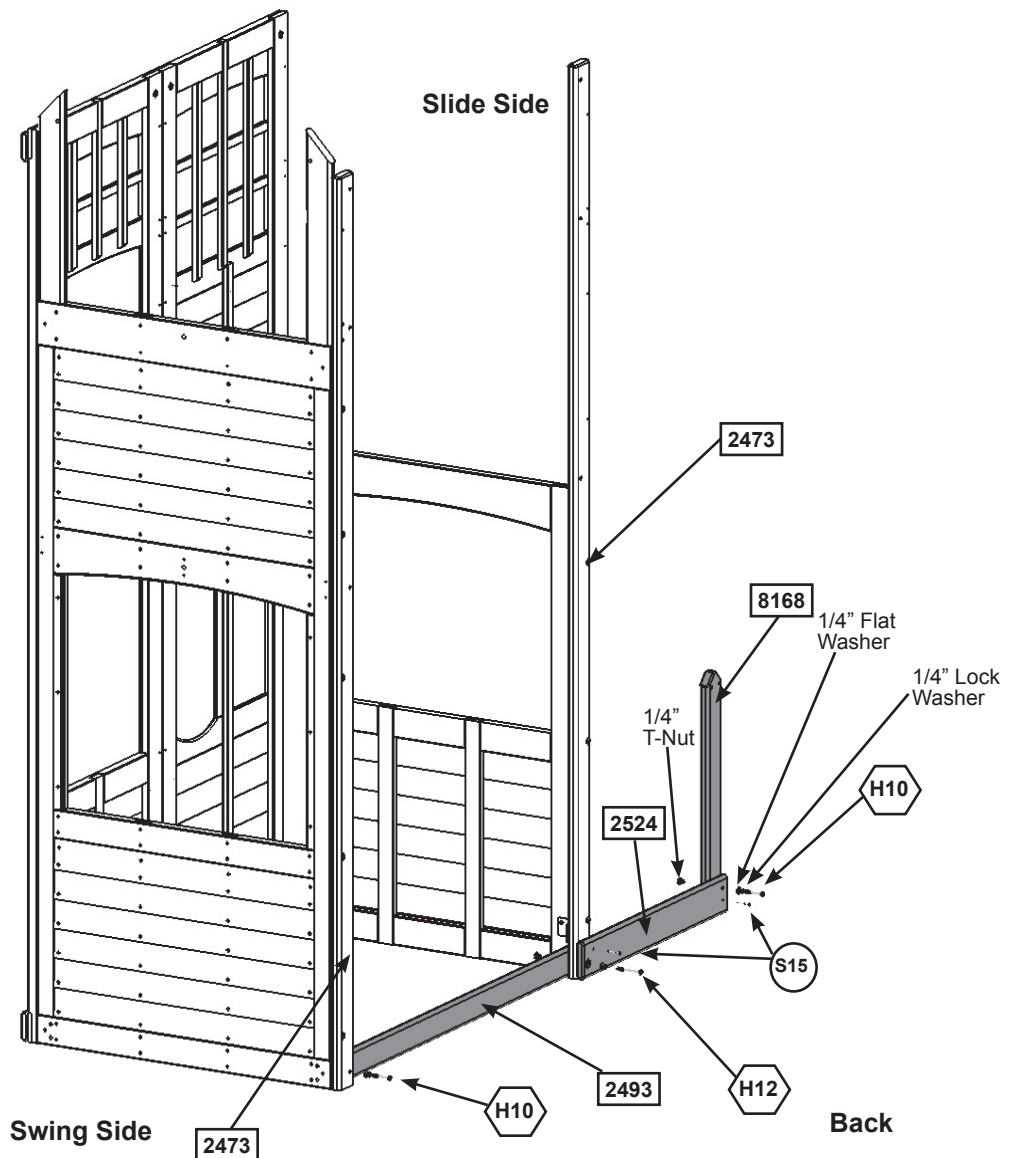
A: Place (2493) Back Ground in between both (2473) Posts on the inside of the assembly. Attach (2493) Back Ground to (2473) Post on the Swing Side with 1 (H10) 1/4 x 2-1/4" Hex Bolt (with lock washer, flat washer and t-nut). (fig. 8.1)

B: Place (2524) SL Bottom on the outside of (2473) Post on the Slide Side and attach to (2473) Post and (2493) Back Ground with 1 (H12) 1/4 x 3" Hex Bolt (with lock washer, flat washer and t-nut) in the bottom hole. (fig. 8.1)

C: Attach (8168) SL Support to extended end of (2524) SL Bottom with 1 (H10) 1/4 x 2-1/4" Hex Bolt (with lock washer, flat washer and t-nut) in the top hole. (fig. 8.1)

D: Make sure (2524) SL Bottom is square to (2473) Post and (8168) SL Support then attach with 2 (S15) #8 x 1-3/4" Wood Screws in remaining holes. (fig. 8.1)

Fig. 8.1



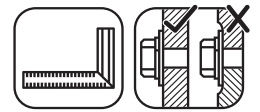
Wood Parts

- 1 x **2493** Back Ground 5/4 x 4 x 54-1/2"
- 1 x **2524** SL Bottom 5/4 x 5 x 32-7/8"
- 1 x **8168** SL Support 2 x 4 x 26-1/4"

Hardware

- 2 x **H10** 1/4 x 2-1/4" Hex Bolt (1/4" lock washer, 1/4" flat washer, 1/4" t-nut)
- 1 x **H12** 1/4 x 3" Hex Bolt (1/4" lock washer, 1/4" flat washer, 1/4" t-nut)
- 2 x **S15** #8 x 1-3/4" Wood Screw

Step 8: Back Wall Assembly Part 2



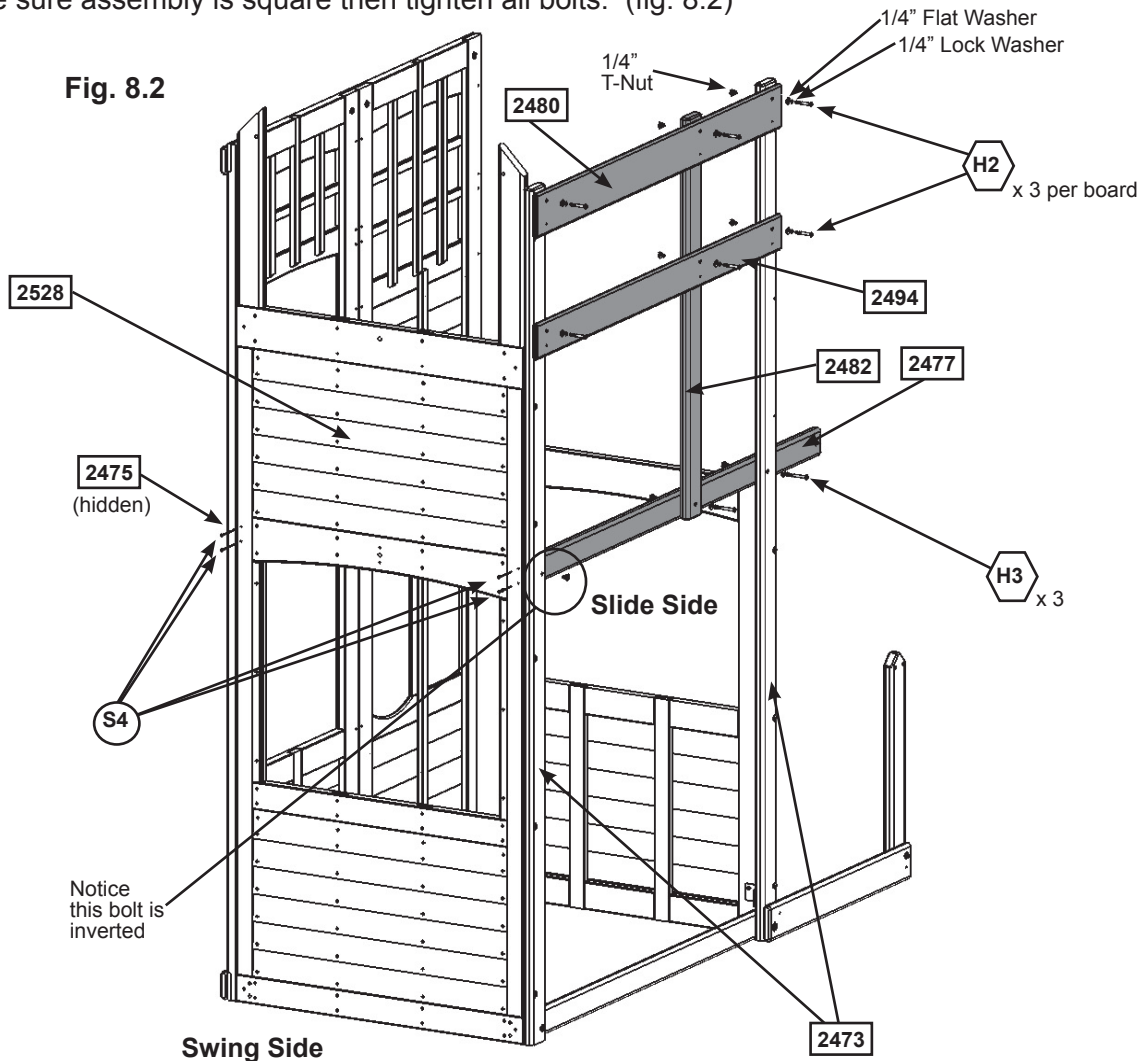
E: From inside the assembly loosely attach (2477) Back Floor Support to both (2473) Posts with 2 (H3) 1/4 x 2-1/2" Hex Bolts (with lock washer, flat washer and t-nut). Notice that the bolt on the Swing Side is installed from inside the assembly and the bolt on the Slide Side is installed from outside the assembly. (fig. 8.2)

F: Loosely attach (2480) Back Top to the top of both (2473) Posts and (2494) Middle Back below (2480) Back Top using 2 (H2) 1/4 x 2" Hex Bolts (with lock washer, flat washer and t-nut) per board in the top holes. (fig. 8.2)

G: Loosely attach (2482) Back Wall Support on the inside of (2480) Back Top and (2494) Middle Back with 2 (H2) 1/4 x 2" Hex Bolts (with lock washer, flat washer and t-nut) and to the outside of (2477) Back Floor Support with 1 (H3) 1/4 x 2-1/2" Hex Bolt (with lock washer, flat washer and t-nut) as shown in fig. 8.2.

H: Attach (2528) SW Wall Panel to (2477) Back Floor Support and (2475) FR Floor Support with 2 (S4) #8 x 3" Wood Screws per board. (fig. 8.2)

I: Make sure assembly is square then tighten all bolts. (fig. 8.2)



Wood Parts

- 1 x 2480 Back Top 1 x 6 x 57"
- 1 x 2494 Middle Back 1 x 5 x 57"
- 1 x 2477 Back Floor Support 2 x 4 x 68"
- 1 x 2482 Back Wall Support 2 x 4 x 47-7/8"

Hardware

- 3 x H3 1/4 x 2-1/2" Hex Bolt (1/4" lock washer, 1/4" flat washer, 1/4" t-nut)
- 6 x H2 1/4 x 2" Hex Bolt (1/4" lock washer, 1/4" flat washer, 1/4" t-nut)
- 4 x S4 #8 x 3" Wood Screw

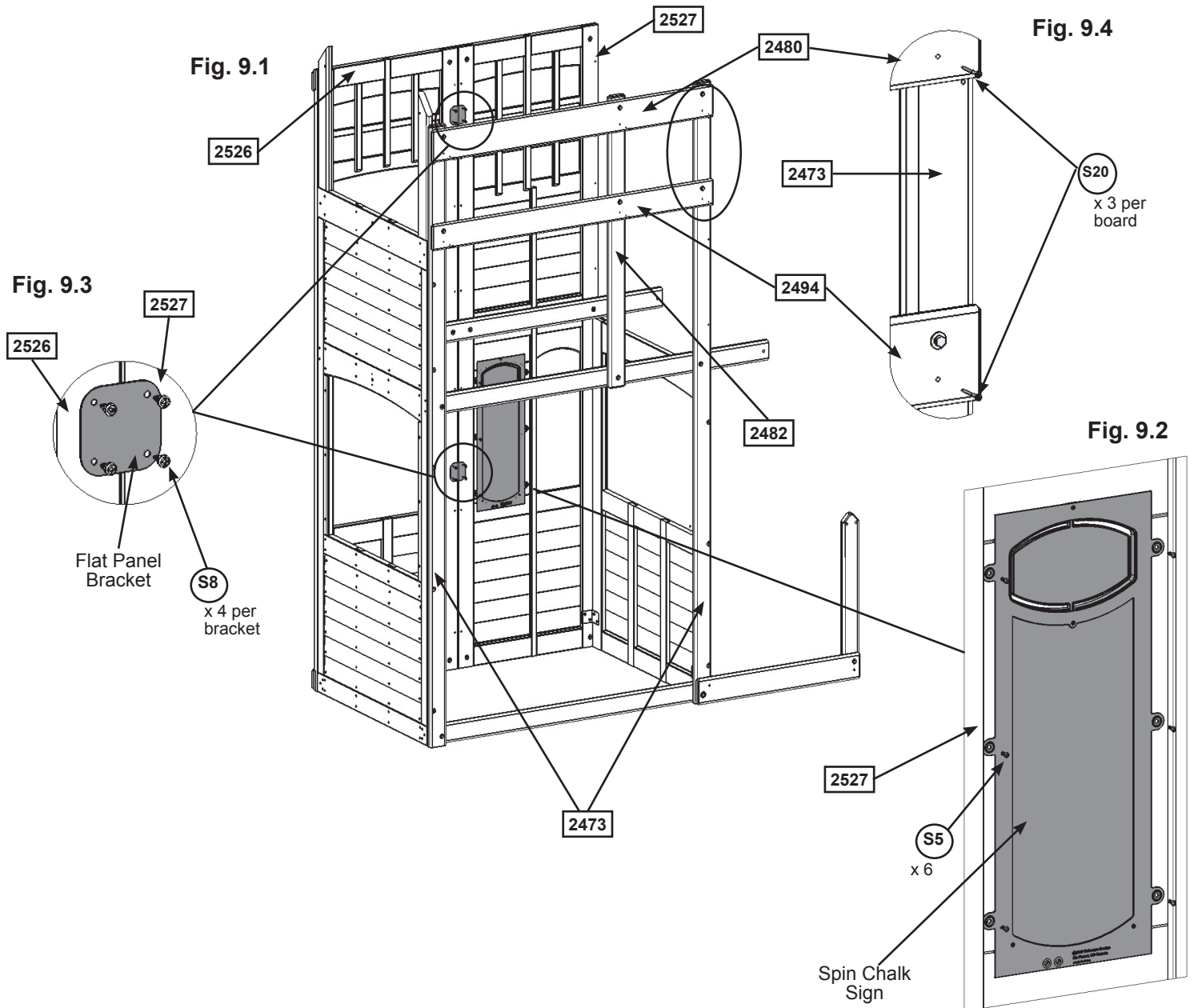
Step 9: Attach Spin Chalk Sign and Secure Assembly



A: From inside the assembly place the Spin Chalk Sign in the opening of (2527) Chalkwall Panel so it sits tight to the panel and attach with 6 (S5) #8 x 1/2" Pan Screws as shown in fig. 9.1 and 9.2.

B: Make sure assembly is square then on the inside of the assembly attach (2526) Cafe Panel to (2527) Chalkwall Panel using 2 Flat Panel Brackets with 4 (S8) #12 x 3/4" Pan Screws per bracket as shown in fig. 9.1 and 9.3.

C: Attach (2480) Back Top and (2494) Middle Back to both (2473) Posts and (2482) Back Wall Support with 3 (S20) #8 x 1-3/8" Wood Screws per board. (fig. 9.1 and 9.4)



Hardware

- 8 x (S8) #12 x 3/4" Pan Screw
- 6 x (S5) #8 x 1/2" Pan Screw
- 6 x (S20) #8 x 1-3/8" Wood Screw

Other Parts

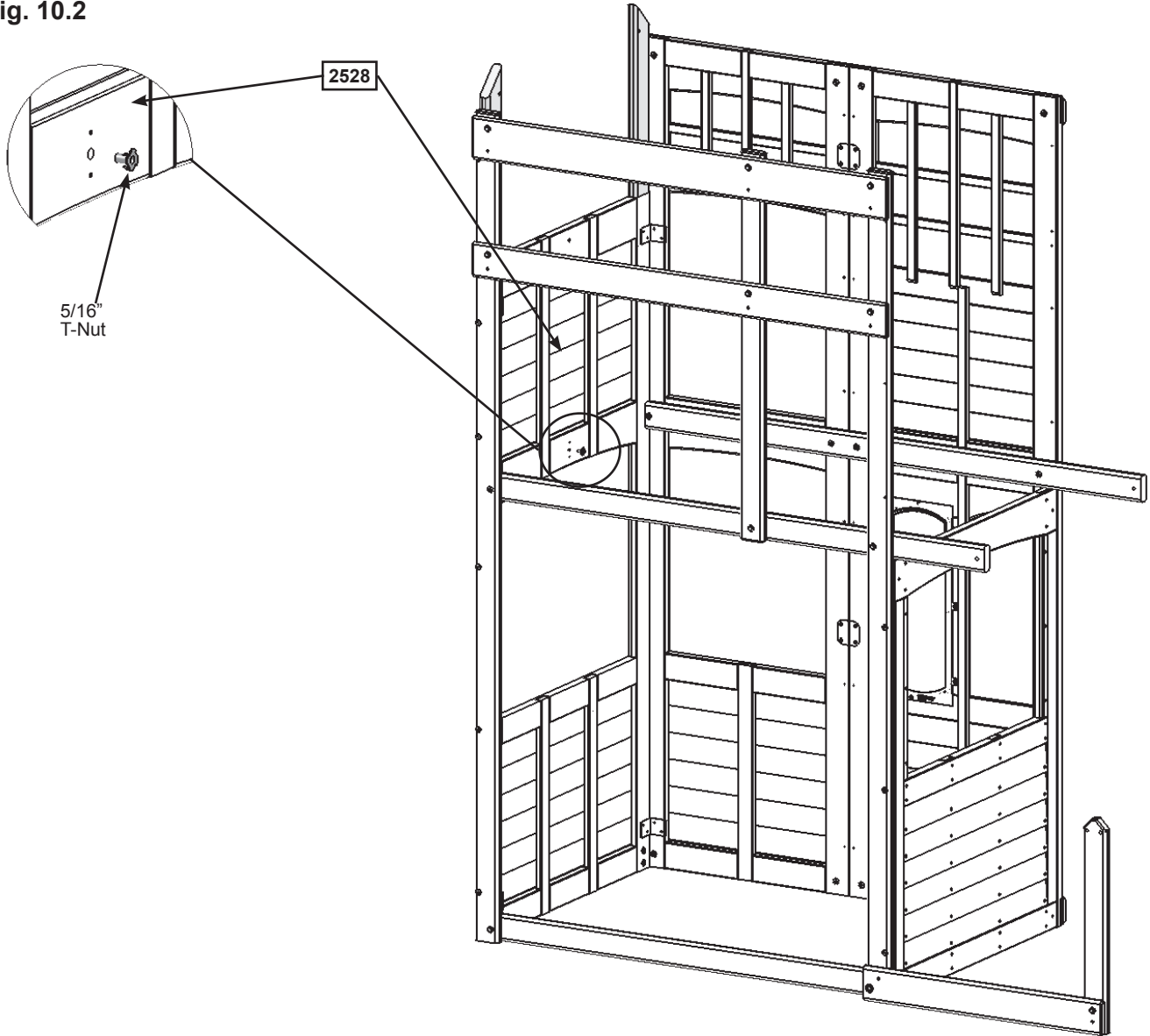
- 2 x Flat Panel Bracket
- 1 x Spin Chalk Sign

Step 10: Attach Joist and Floor End Part 1

A: Install one 5/16" T-Nut into (2528) SW Wall Panel as shown in fig. 10.1 and 10.2.

Fig. 10.1

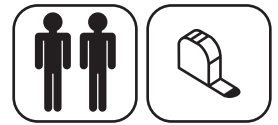
Fig. 10.2



Hardware

1 x 5/16" T-nut

Step 10: Attach Joist and Floor End Part 2



B: At the end of (2477) Back Floor Support and (2475) FR Floor Support attach (2489) Floor End, flush to the ends, with 4 (S4) #8 x 3" Wood Screws. (fig. 10.3 and fig. 10.4)

C: Measure 5/8" down from the spot shown on (2528) SW Wall Panel and attach (2476) Floor Joist to (2528) SW Wall Panel and flush to top of (2489) Floor End with 2 (S4) #8 x 3" Wood Screws per end. (fig. 10.3 and fig. 10.5)

Fig. 10.5

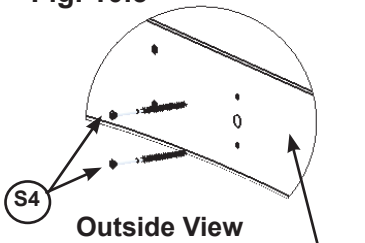
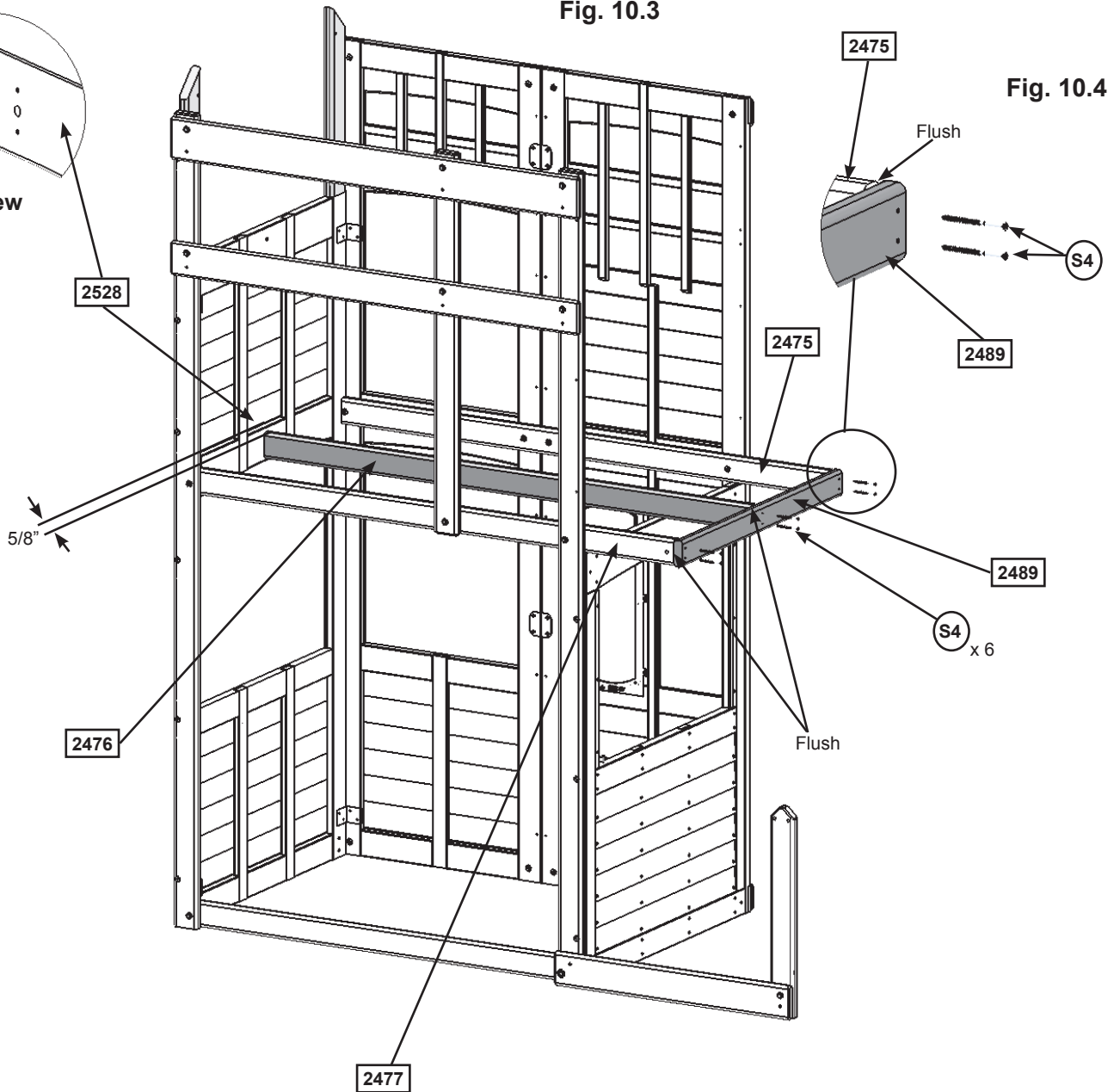


Fig. 10.3



Wood Parts

1 x 2489 Floor End 2 x 4 x 38-1/2"

1 x 2476 Floor Joist 2 x 4 x 68"

Hardware

8 x S4 #8 x 3" Wood Screw

Step 11: Floor Board Assembly Part 1

A: Place 1 (2478) Floor tight to (2528) SW Wall Panel and 1 (2478) Floor flush to the face and ends of (2489) Floor End then attach with 6 (S20) #8 x 1-3/8" Wood Screws per board. (fig. 11.1 and 11.2)

Fig. 11.1

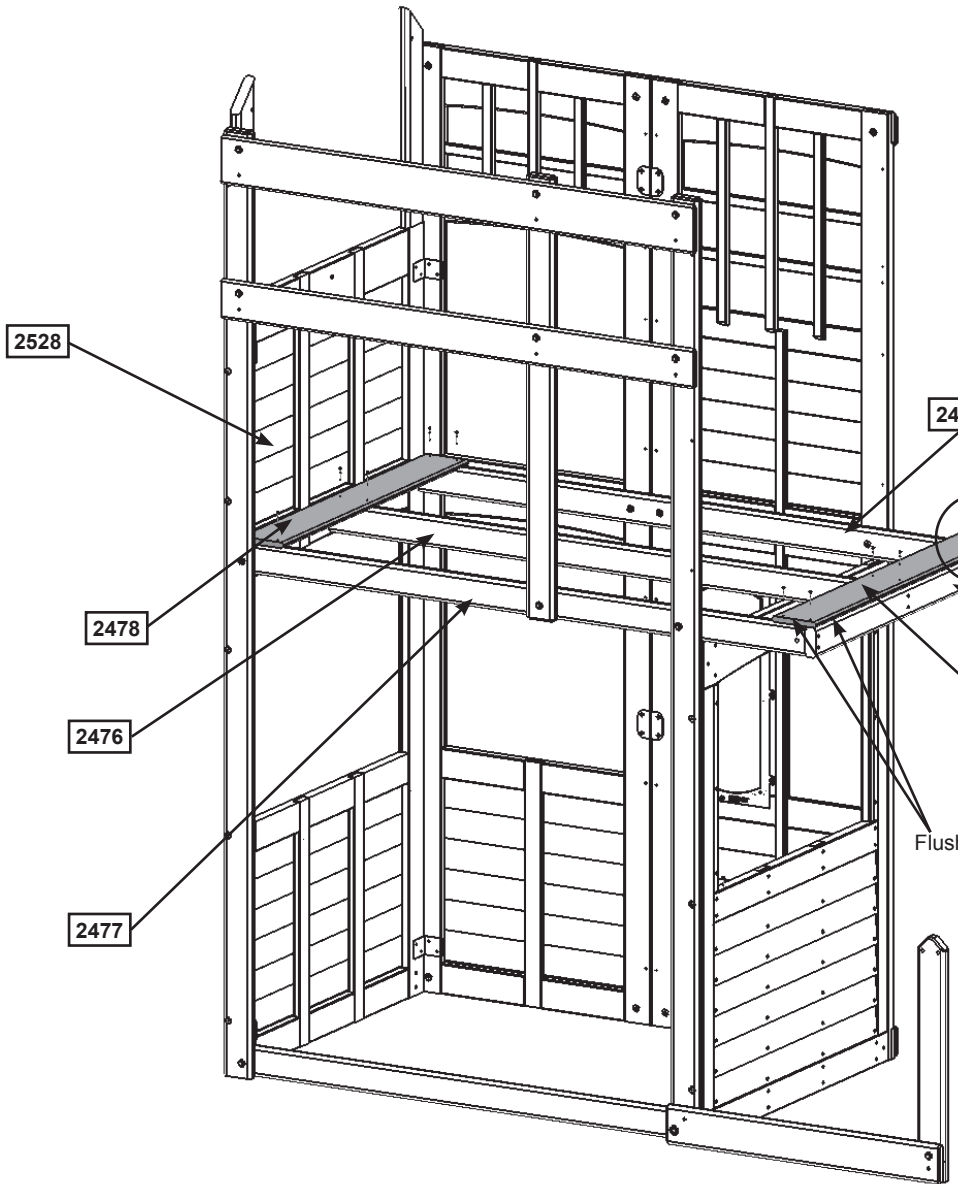
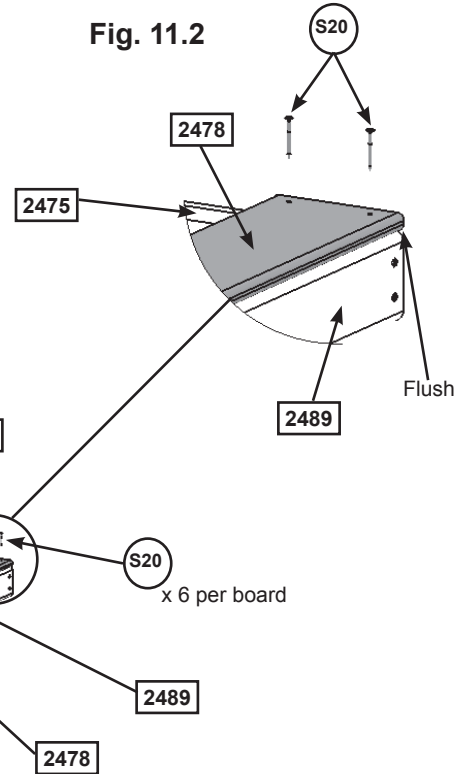


Fig. 11.2



Wood Parts

2 x 2478 Floor 1 x 6 x 38-1/2"

Hardware

12 x S20 #8 x 1-3/8" Wood Screw

Step 11: Floor Board Assembly Part 2

B: Starting at Swing Side place 5 (2478) Floors next to the previously installed (2478) Floor then place 1 (2479) Floor Board followed by the remaining 5 (2478) Floors. Make sure the boards are evenly spaced then attach with 6 (S20) #8 x 1-3/8" Wood Screws per board. (fig. 11.3 and 11.4)

Fig. 11.3

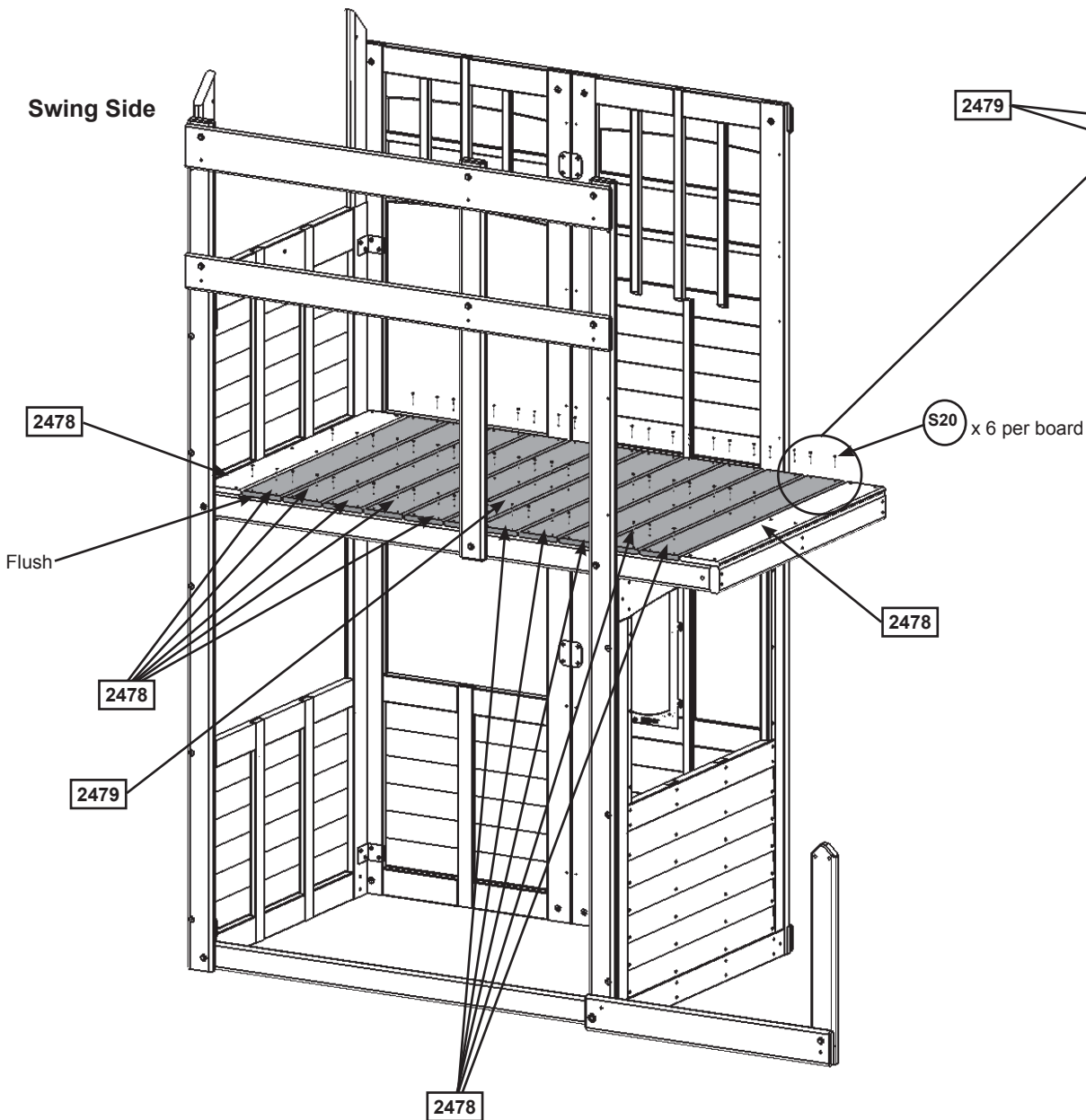
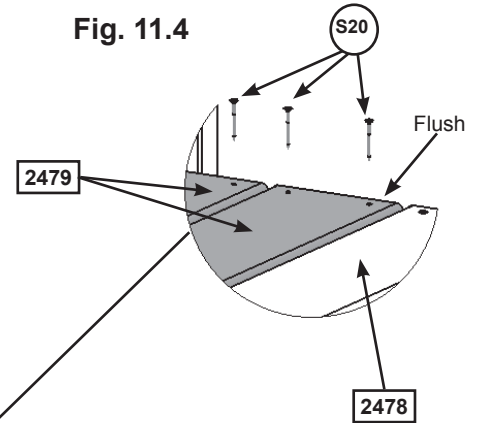


Fig. 11.4



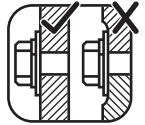
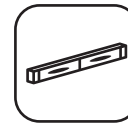
Wood Parts

- 10 x 2478 Floor 1 x 6 x 38-1/2"
- 1 x 2479 Floor Board 1 x 5 x 38-1/2"

Hardware

- 66 x S20 #8 x 1-3/8" Wood Screw

Step 12: Swing Wall Assembly Part 1



A: Loosely attach (2474) Ground SW to the bottom of (2528) SW Wall Panel using 4 (H10) 1/4 x 2-1/4" Hex Bolts (with lock washer, flat washer and t-nut). (fig. 12.1)

B: On the Front of the assembly loosely attach (2491) Diagonal to the end of (2474) Ground SW with 1 (H10) 1/4 x 2-1/4" Hex Bolt (with lock washer, flat washer and t-nut). (fig. 12.1)

C: Pre-drill pilot hole with a 3/16" drill bit then attach (2491) Diagonal to (2526) Cafe Panel with 1 (WL5) 1/4 x 2-1/2" Wafer Lag (with flat washer). (fig. 12.1)

D: Attach (2485) Seat Side and (2496) Seat Block to (2491) Diagonal with 1 (H13) 1/4 x 3-1/2" Hex Bolt (with lock washer, flat washer and t-nut) and 1 (S15) #8 x 1-3/4" Wood Screw as shown in fig. 12.1 and 12.2. The tops of (2485) Seat Side and (2496) Seat Block must be flush to each other and both level.

E: Tighten all bolts in this step.

Fig. 12.1

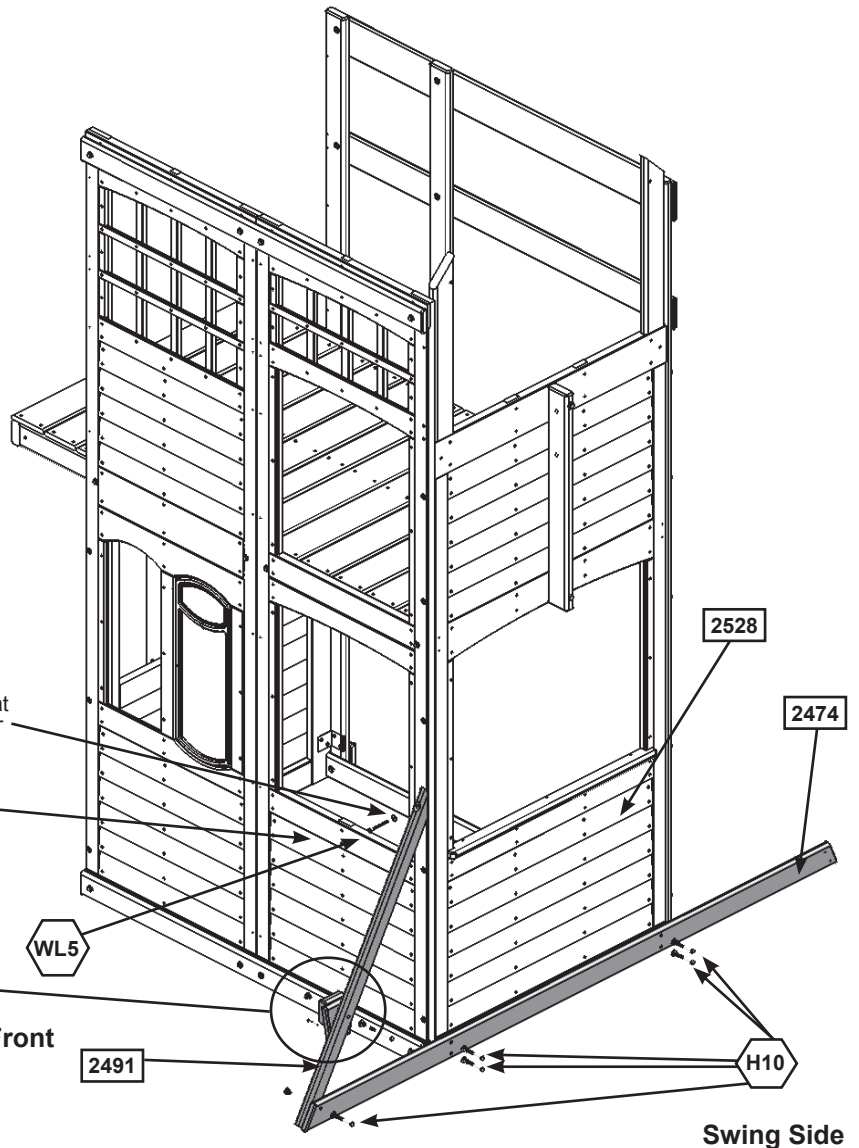
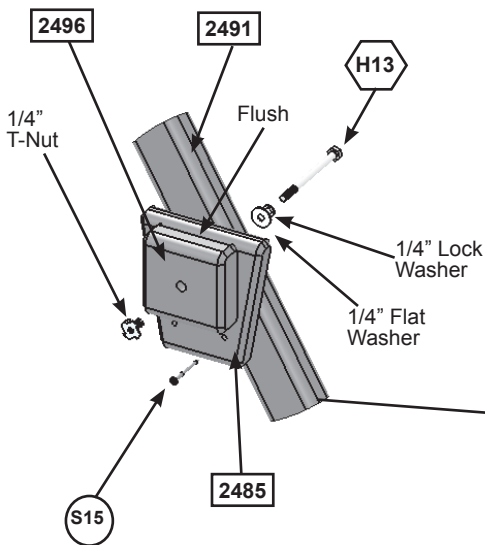


Fig. 12.2



Wood Parts	
1 x	(2474) Ground SW 5/4 x 4 x 88-43/64"
1 x	(2491) Diagonal 2 x 3 x 42-1/4"
1 x	(2485) Seat Side 5/4 x 6 x 5"
1 x	(2496) Seat Block 2 x 4 x 3-1/4"

Hardware	
5 x	(H10) 1/4 x 2-1/4" Hex Bolt (1/4" lock washer, 1/4" flat washer, 1/4" t-nut)
1 x	(H13) 1/4 x 3-1/2" Hex Bolt (1/4" lock washer, 1/4" flat washer, 1/4" t-nut)
1 x	(WL5) 1/4 x 2-1/2" Wafer Lag (1/4" flat washer)
1 x	(S15) #8 x 1-3/4" Wood Screw

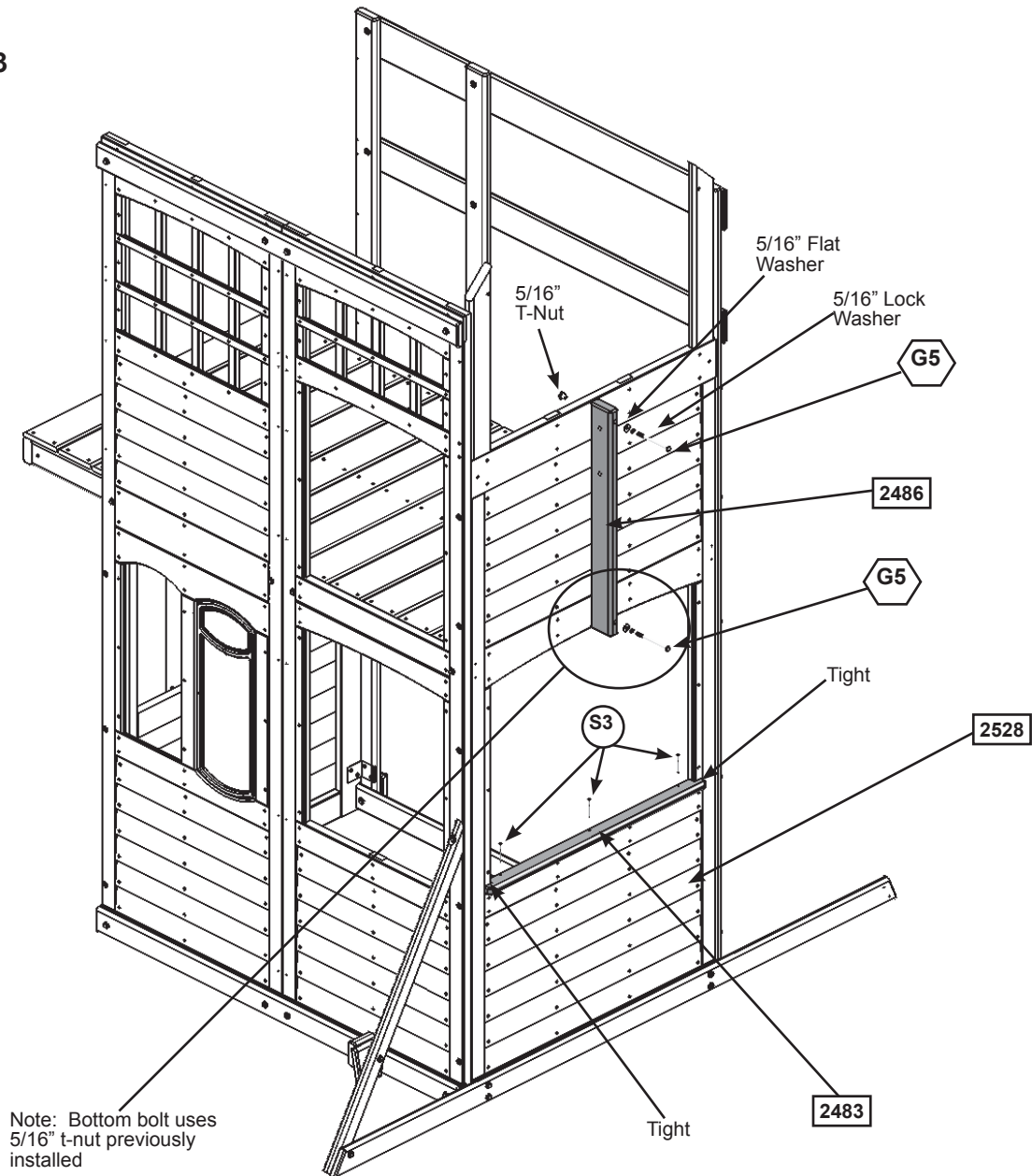
Step 12: Swing Wall Assembly Part 2



F: In the opening of (2528) SW Wall Panel attach (2483) SW Table Top, tight to the corners of the panel opening, with 3 (S3) #8 x 2-1/2" Wood Screws as shown in fig. 12.3.

G: Attach (2486) SW Mount to (2528) SW Wall Panel with 2 (G5) 5/16 x 4-1/2" Hex Bolt (with lock washer, flat washer and t-nut). Note the bottom bolt uses the t-nut previously installed in Step 10, Part 1. (fig. 12.3)

Fig. 12.3



Note: Bottom bolt uses 5/16" t-nut previously installed

Wood Parts

- 1 x 2483 SW Table Top 5/4 x 3 x 34-1/4"
- 1 x 2486 SW Mount 2 x 4 x 29"

Hardware

- 3 x S3 #8 x 2-1/2" Wood Screw
- 2 x G5 5/16 x 4-1/2" Hex Bolt
(5/16" lock washer, 5/16" flat washer, 5/16" t-nut)

Step 13: Cafe Seat Assembly Part 1



A: Attach (2485) Seat Side to (2484) Bench Leg with 1 (H10) 1/4 x 2-1/4" Hex Bolt (with lock washer, flat washer and t-nut) and 2 (S15) #8 x 1-3/4" Wood Screws as shown in fig. 13.2. The top of (2485) Seat Side must be level and flush to (2484) Bench Leg.

B: Attach (2495) Bench Support to (2484) Bench Leg with 1 (H10) 1/4 x 2-1/4" Hex Bolt (with lock washer, flat washer and t-nut) and 1 (S15) #8 x 1-3/4" Wood Screw as shown in fig. 13.2.

C: Place Bench Leg Assembly in front of (2526) Cafe Panel and hold (8039) Wall Board against Bench Leg Assembly so it is tight to both (2485) Seat Sides. Attach to (2484) Bench Leg and (2496) Seat Block with 4 (S20) #8 x 1-3/8" Wood Screws. (fig. 13.1 and 13.3)

D: Place (2497) Seat on top of each (2485) Seat Side, tight to (2491) Diagonal so the angled edges face out and attach to (2484) Bench Leg and (2496) Seat Block with 4 (S3) #8 x 2-1/2" Wood Screws. (fig. 13.1 and 13.3)

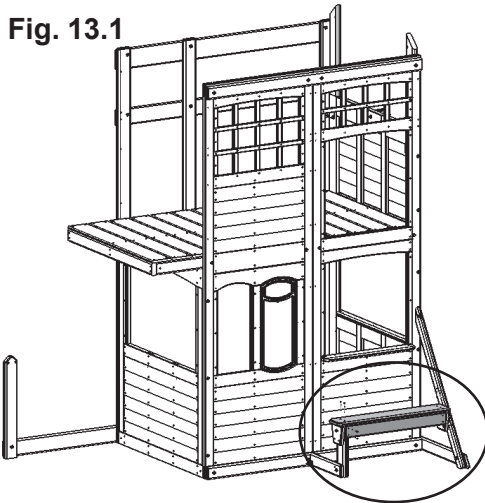


Fig. 13.1

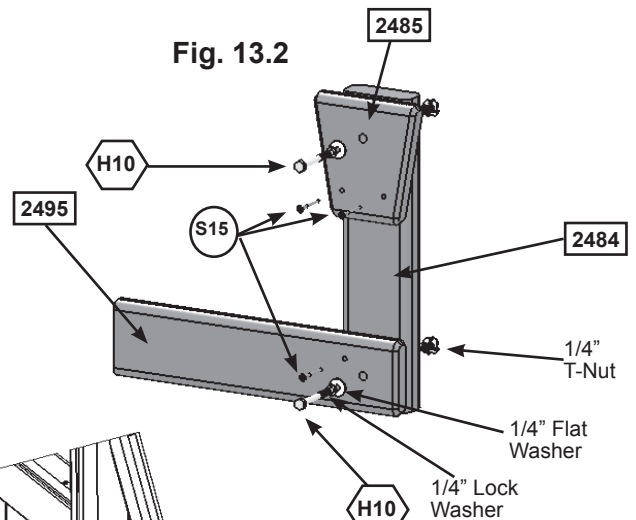


Fig. 13.2

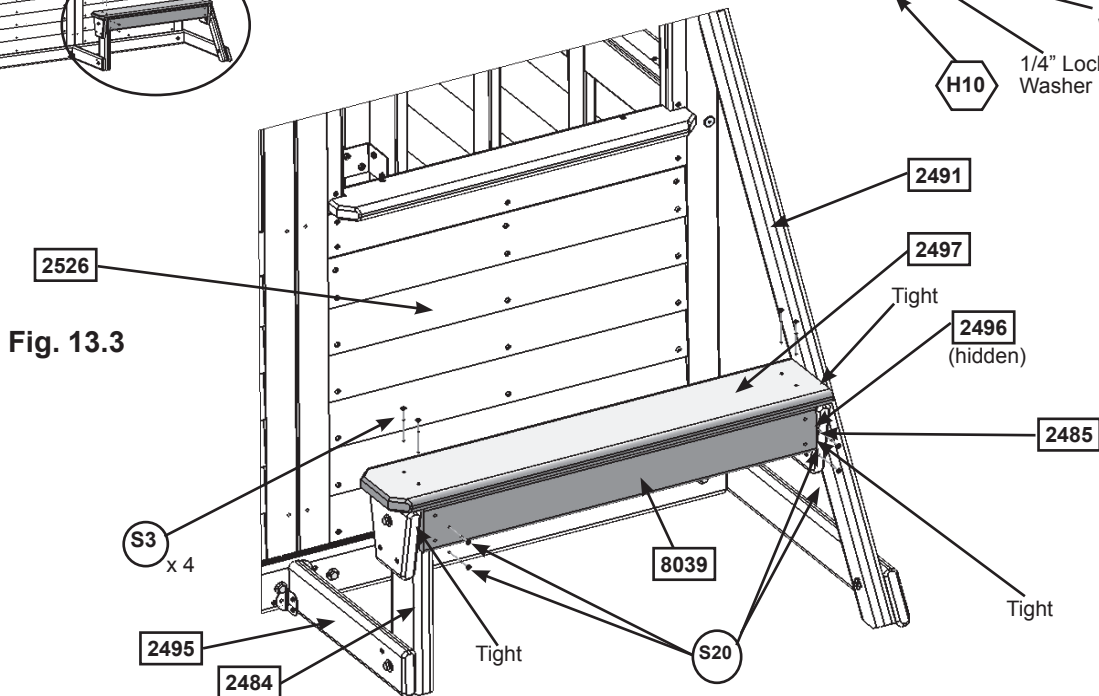


Fig. 13.3

Wood Parts	
1 x	2484 Bench Leg 2 x 4 x 13-1/2"
1 x	2495 Bench Support 5/4 x 4 x 13-5/8"
1 x	2485 Seat Side 5/4 x 6 x 5"
1 x	8039 Wall Board 1 x 4 x 26-1/2"
1 x	2497 Seat 5/4 x 6 x 29-1/2"

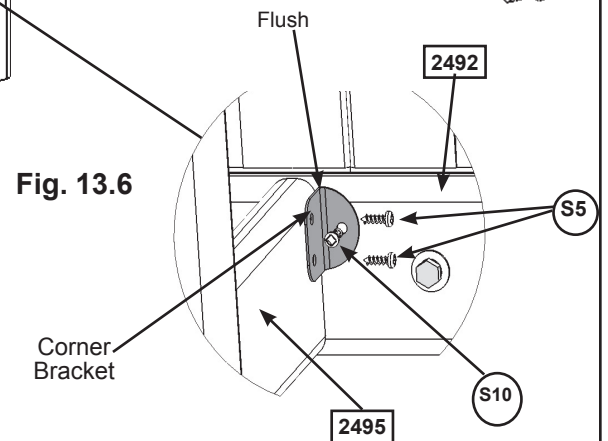
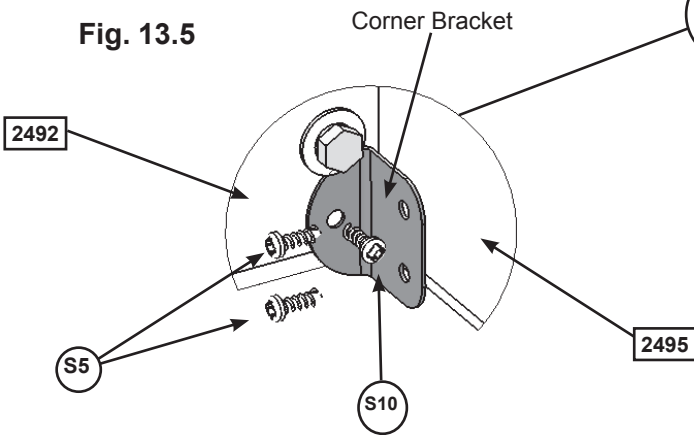
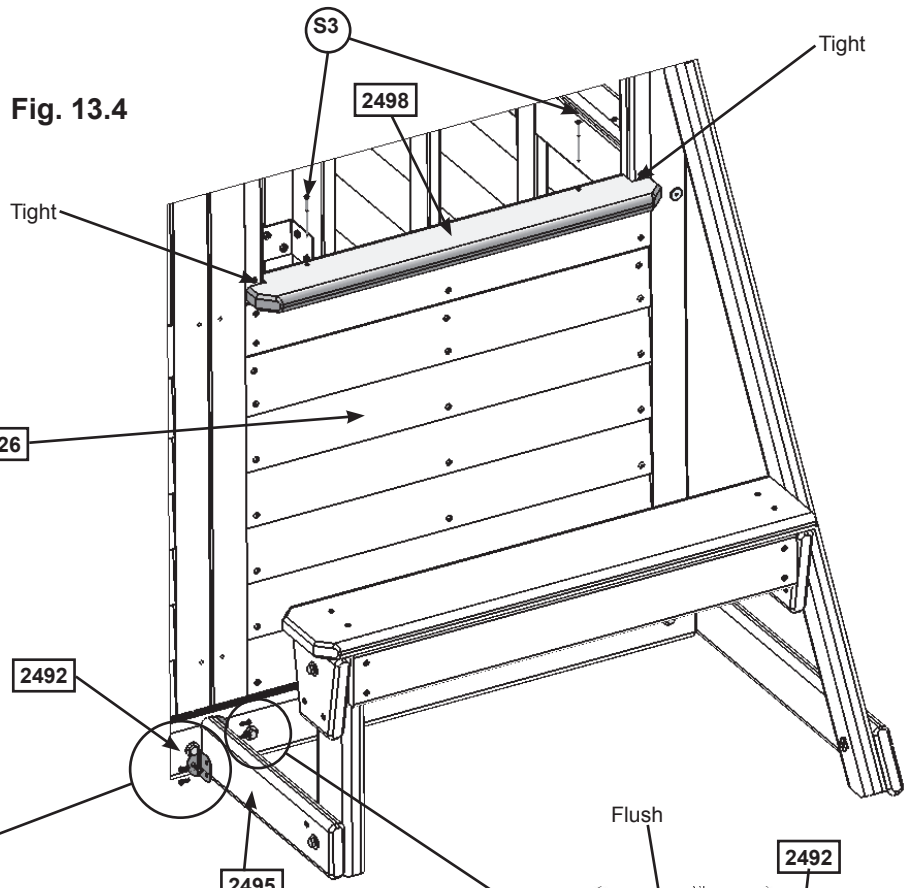
Hardware	
2 x	H10 1/4 x 2-1/4" Hex Bolt (1/4" lock washer, 1/4" flat washer, 1/4" t-nut)
3 x	S15 #8 x 1-3/4" Wood Screw
4 x	S20 #8 x 1-3/8" Wood Screw
4 x	S3 #8 x 2-1/2" Wood Screw

Step 13: Cafe Seat Assembly Part 2

E: Attach 1 Corner Bracket to (2492) Front Top Bottom and to outside of (2495) Bench Support under the bolt with 2 (S5) #8 x 1/2" Pan Screws and 1 (S10) #8 x 1" Pan Screw as shown in fig. 13.4 and 13.5. (S5) #8 x 1/2" Pan Screws installed into (2495) Bench Support.

F: Attach 1 Corner Bracket flush to the top of (2492) Front Top Bottom and to inside of (2495) Bench Support with 2 (S5) #8 x 1/2" Pan Screws and 1 (S10) #8 x 1" Pan Screw as shown in fig. 13.4 and 13.6. (S5) #8 x 1/2" Pan Screws installed into (2495) Bench Support.

G: In the opening of (2526) Cafe Panel attach (2498) Cafe Top, tight to the corners of the panel opening, with 2 (S3) #8 x 2-1/2" Wood Screws as shown in fig. 13.4.



Wood Parts
1 x (2498) Cafe Top 5/4 x 4 x 24-1/4"

Hardware
4 x (S5) #8 x 1/2" Pan Screw
2 x (S10) #8 x 1" Pan Screw
2 x (S3) #8 x 2-1/2" Wood Screw

Other Parts
2 x Corner Bracket

Step 14: Attach Rockwall Assembly and Rails Part 1

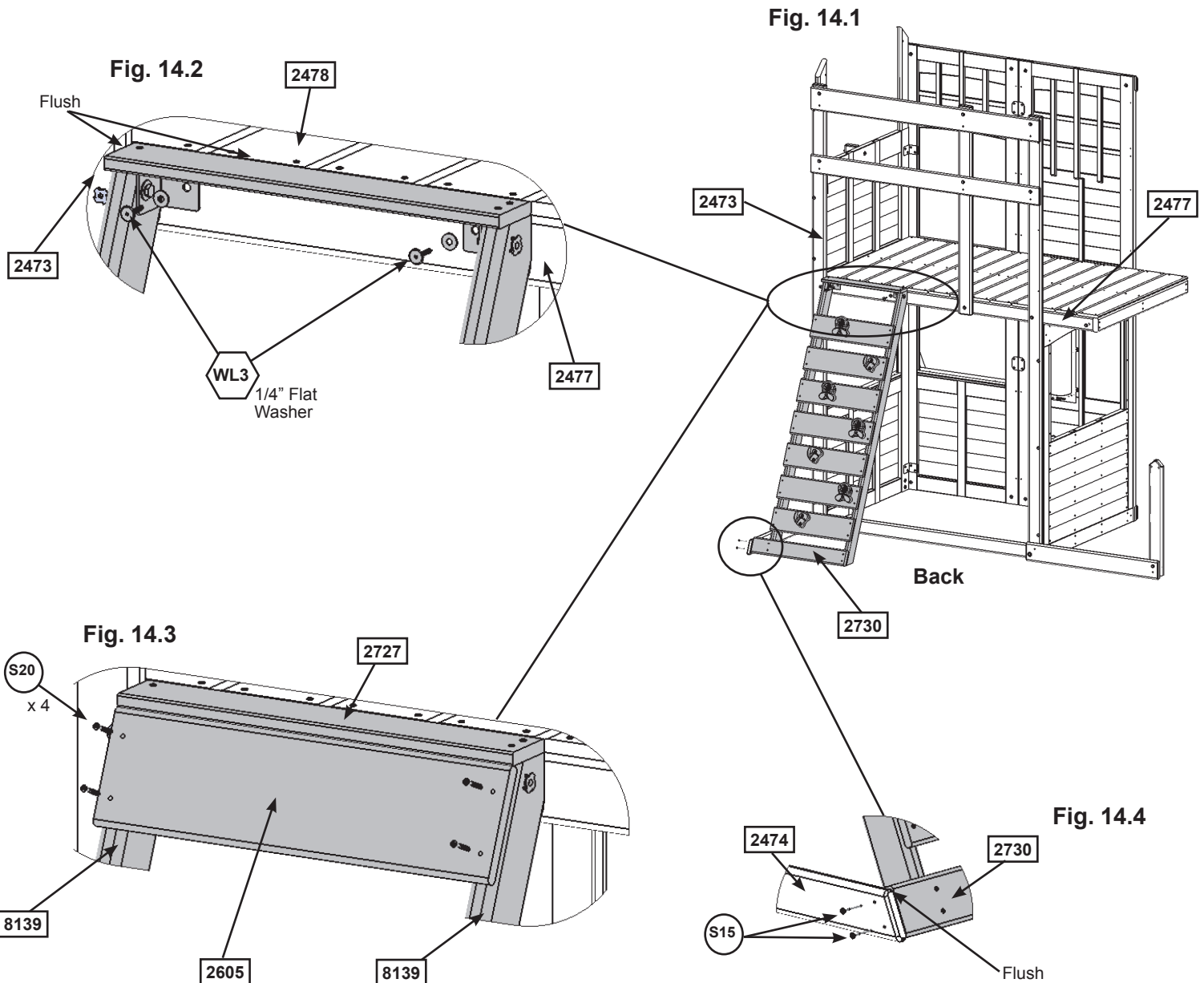


Pre-drill all holes using a 3/16" drill bit before installing the Wafer Lags.




A: Place the Rockwall Assembly on the Back of the fort, flush to top of (2478) Floors and flush to inside edge of (2473) Post then attach to (2477) Back Floor Support with 1 (WL3) 1/4 x 1-3/8" Wafer Lag (with flat washer) in each Swing Bracket. (fig. 14.1 and 14.2).

B: Place (2605) Access Board (from Step 2) tight to the top and edges of (2727) Rockwall Top and attach to (8139) Rock Rails with 4 (S20) #8 x 1-3/8" Wood Screws. (fig. 14.3)

C: Make sure the edges of (2474) Ground SW and (2730) Rockwall Brace are flush then attach with 2 (S15) #8 x 1-3/4" Wood Screws. (fig. 14.1 and 14.4)



Hardware

- 2 x  1/4 x 1-3/8" Wafer Lag
(1/4" flat washer)
- 4 x  #8 x 1-3/8" Wood Screw
- 2 x  #8 x 1-3/4" Wood Screw

Step 14: Attach Rockwall Assembly and Rails Part 2



D: Place EN71 Hand Rail 1" from front edge of (2727) Rockwall Top and flush to the edge of (2603) Rock Board A. **Pre-drill holes using a 3/16" drill bit** then attach EN71 Hand Rail using 2 (S7) #12 x 2" Pan Screws. (fig. 14.5 and 14.6).

Fig. 14.5

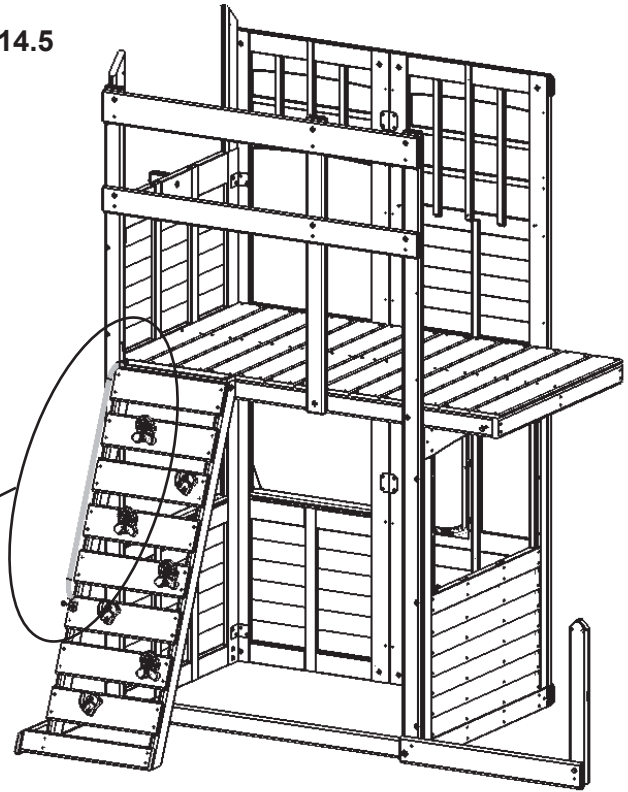
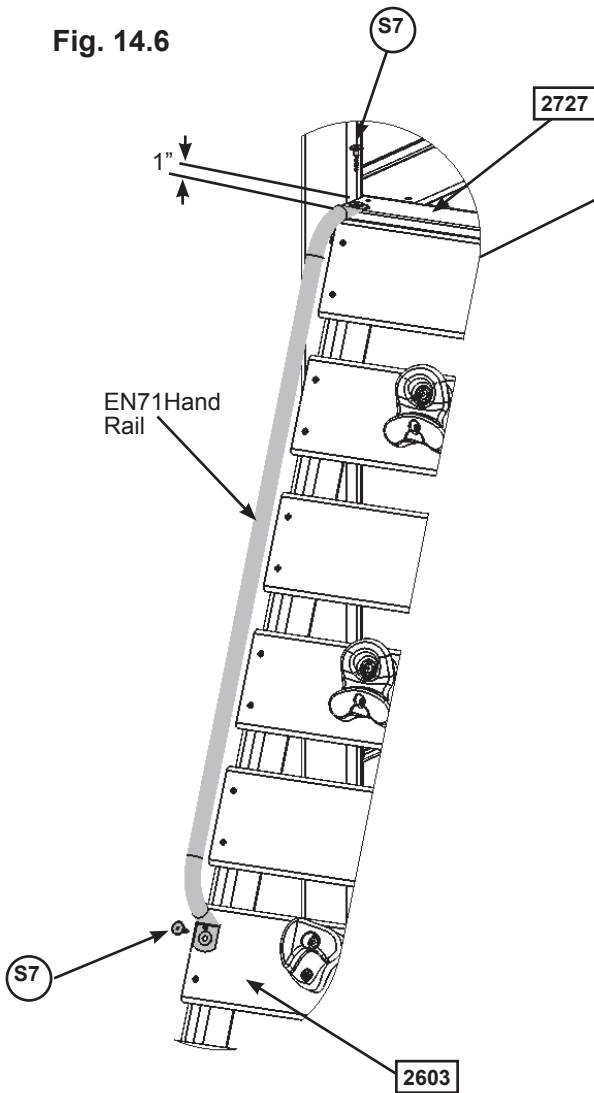


Fig. 14.6



Hardware

2 x (S7) #12 x 2" Pan Screw

Other Parts

1 x EN71 Hand Rail

Step 15: Attach Bottom Windows

A: From inside the assembly centre 1 (2736) Bottom Window under each window opening on the front wall, flush to the top of the bevelled edge then attach with 3 (S20) #8 x 1-3/8" Wood Screws per board. (fig. 15.1 and 15.2).

Fig. 15.1

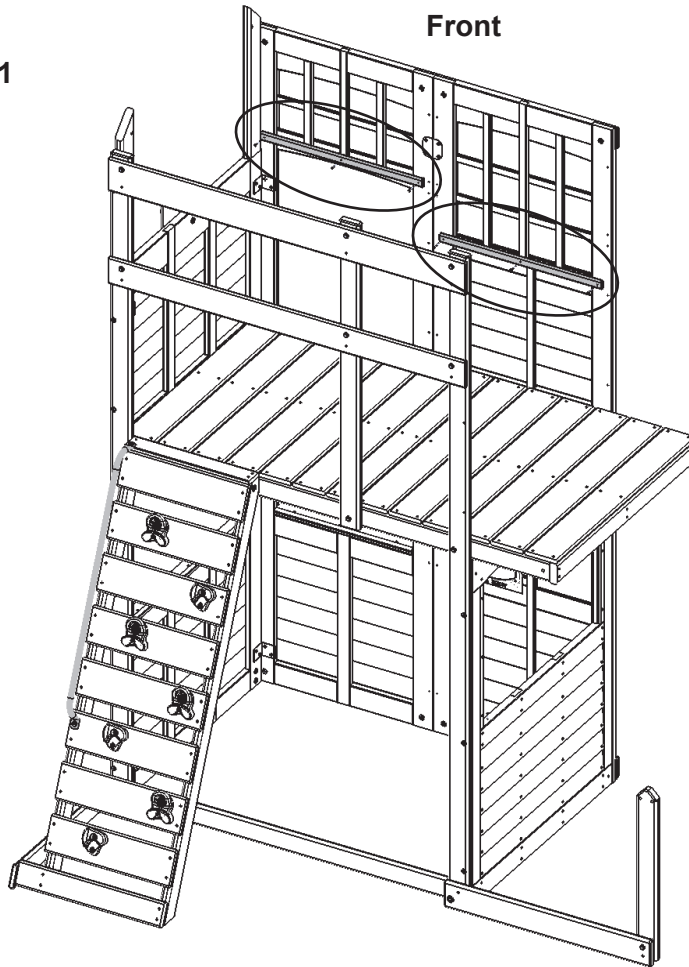
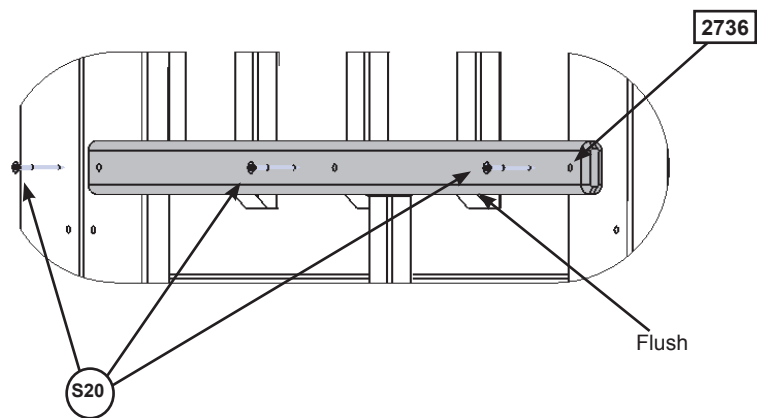


Fig. 15.2



Wood Parts

2 x **2736** Bottom Window 1 x 2 x 26"

Hardware

6 x **S20** #8 x 1-3/8" Wood Screw

Step 16: Crowsnest and Back Wall Assembly Part 1



A: In the opening of (2529) SL Side Panel attach (2483) SW Table Top, tight to the corners of the panel opening, ledge facing in, with 3 (S3) #8 x 2-1/2" Wood Screws as shown in fig. 16.1 and 16.2.

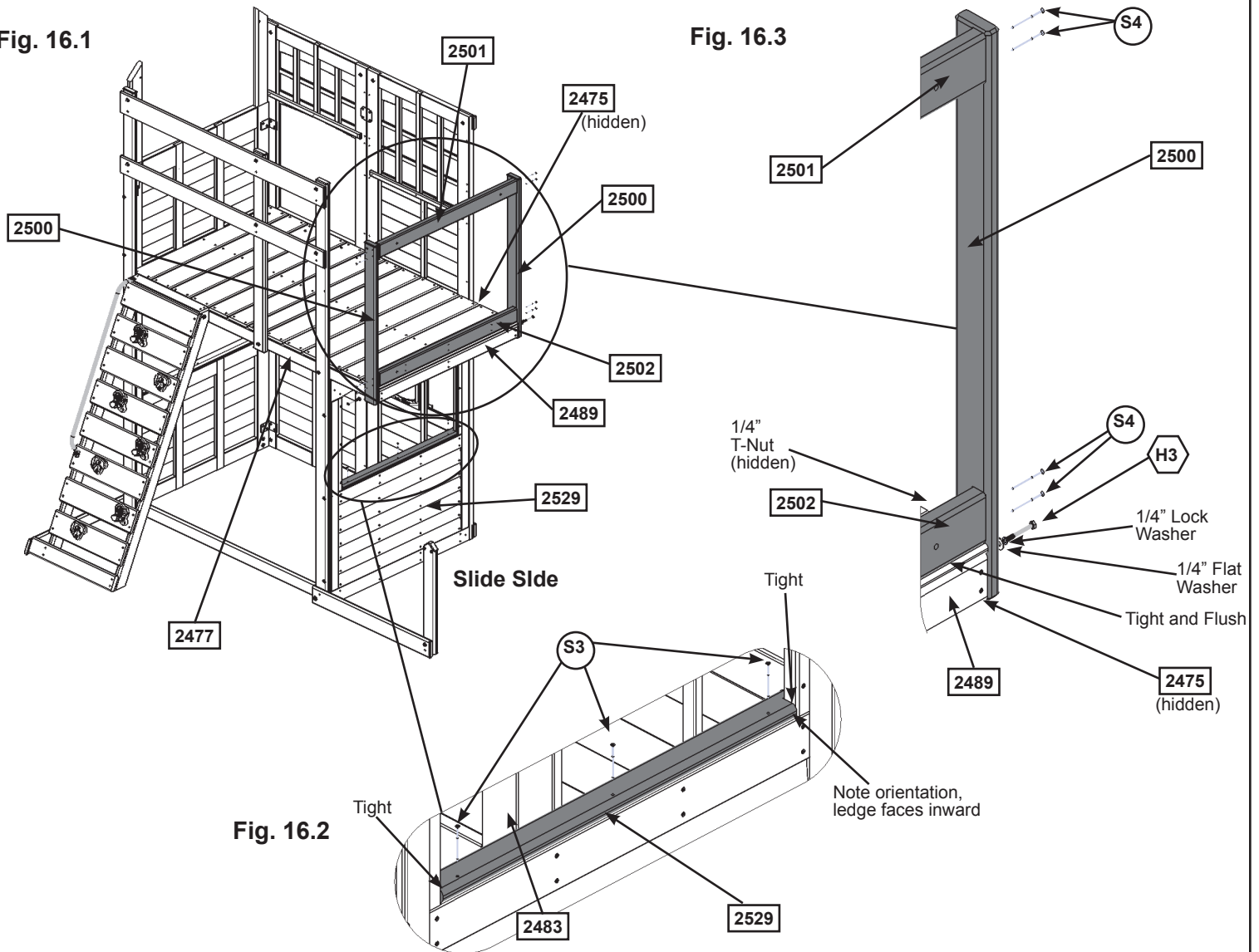
B: Attach 1 (2500) Crowsnest Post to (2475) FR Floor Support and (2477) Back Floor Support with 1 (H3) 1/4 x 2-1/2" Hex Bolt (with lock washer, flat washer and t-nut) per side. (fig. 16.1 and 16.3)

C: Make sure the (2500) Crowsnest Posts are square then flush to the front and tight to the top of (2489) Floor End attach (2502) Crowsnest Floor End to both (2500) Crowsnest Posts with 2 (S4) #8 x 3" Wood Screws per post as shown in fig. 16.1 and 16.3.

D: Flush to the front and top of both (2500) Crowsnest Posts attach (2501) Crowsnest Top to posts with 2 (S4) #8 x 3" Wood Screws per post as shown in fig. 16.1 and 16.3.

Fig. 16.1

Fig. 16.3



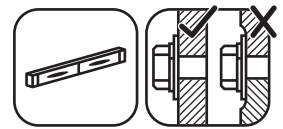
Wood Parts

- 1 x 2483 SW Table Top 5/4 x 3 x 34-1/4"
- 2 x 2500 Crowsnest Post 2 x 4 x 38-3/8"
- 1 x 2502 Crowsnest Floor End 2 x 4 x 38-1/2"
- 1 x 2501 Crowsnest Top 2 x 4 x 38-1/2"

Hardware

- 2 x H3 1/4 x 2-1/2" Hex Bolt (1/4" lock washer, 1/4" flat washer, 1/4" t-nut)
- 8 x S4 #8 x 3" Wood Screw
- 3 x S3 #8 x 2-1/2" Wood Screw

Step 16: Crowsnest and Back Wall Assembly Part 2



E: Flush to the top of the floor and flush to the end of (2500) Crowsnest Post attach 1 (2487) Crowsnest Bottom Front to (2500) Crowsnest Post and (2473) Post on the Back of the assembly and 1 (2487) Crowsnest Bottom Front to (2500) Crowsnest Post and (2527) Chalkwall Panel on the Front of the assembly with 4 (S7) #12 x 2" Pan Screws per board. (fig. 16.4, 16.5 and 16.6)

F: Attach 1 (2488) Crowsnest Top Front flush to the top and end of each (2500) Crowsnest Post with 1 (H10) 1/4 x 2-1/4" Hex Bolt (with lock washer, flat washer and t-nut) per board. (fig. 16.4, 16.5 and 16.6)

G: Make sure both (2488) Crowsnest Top Fronts are level then attach to each (2500) Crowsnest Post with 1 (S7) #12 x 2" Pan Screws per board and to (2473) Post and (2527) Chalkwall Panel with 2 (S7) #12 x 2" Pan Screws per board. (fig. 16.4, 16.5 and 16.6)

Fig. 16.4

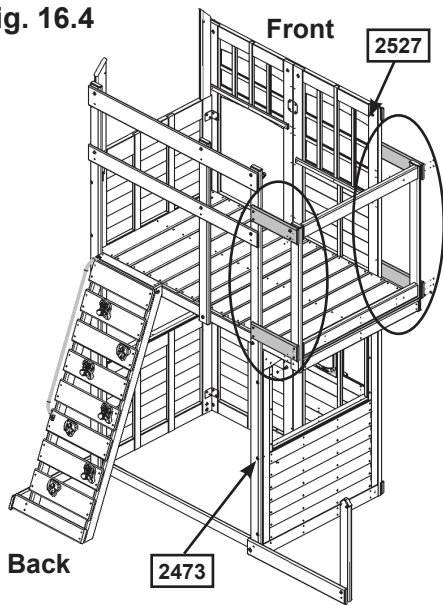


Fig. 16.5

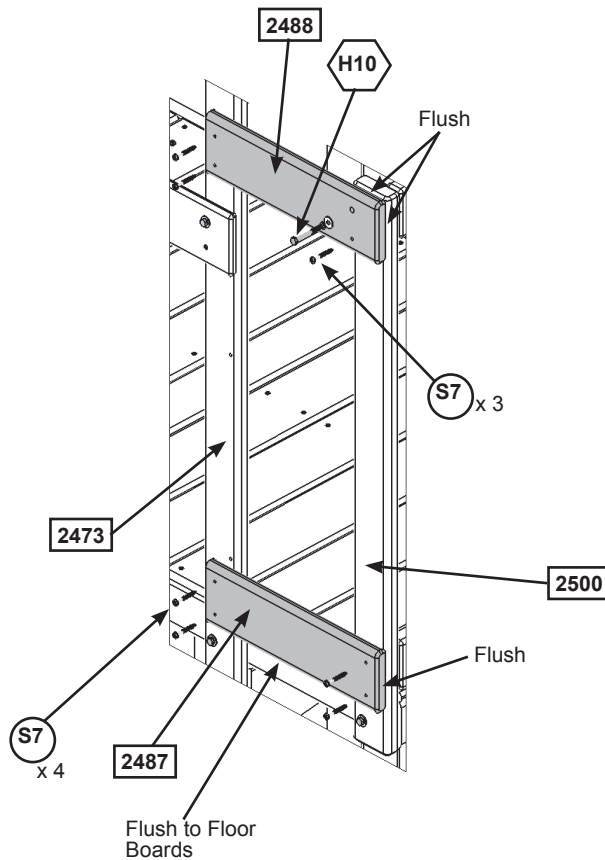
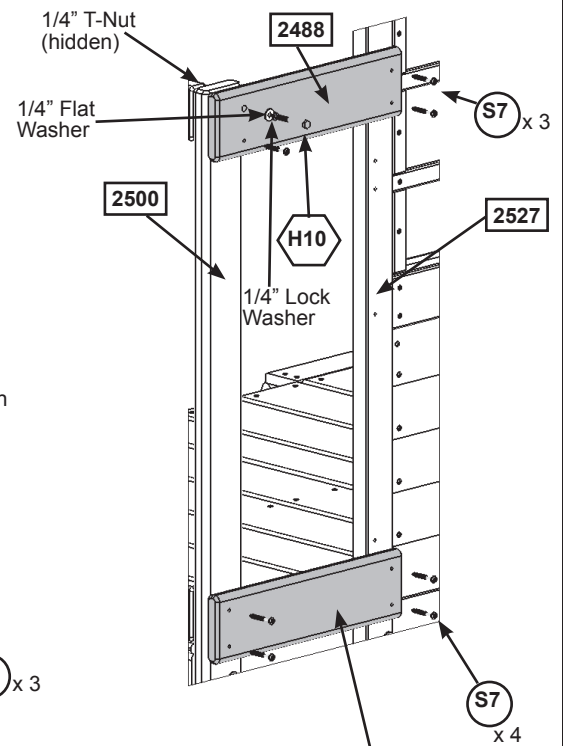


Fig. 16.6



Wood Parts

- 2 x 2488 Crowsnest Top Front 5/4 x 5 x 15-5/8"
- 2 x 2487 Crowsnest Bottom Front 5/4 x 5 x 15-5/8"

Hardware

- 2 x H10 1/4 x 2-1/4" Hex Bolt (1/4" lock washer, 1/4" flat washer, 1/4" t-nut)
- 14 x S7 #12 x 2" Pan Screw

Step 16: Crowsnest and Back Wall Assembly Part 3



H: Measure 1" down from the top of each (2488) Crowsnest Top Front and centred between (2500) Crowsnest Post and (2473) Post/(2527) Chalkwall Panel attach 1 (2503) Wall Board to each (2488) Crowsnest Top Front and each (2481) Lower Back with 4 (S20) #8 x 1-3/8" Wood Screws per board. (fig. 16.7 and 16.8)

Fig. 16.7

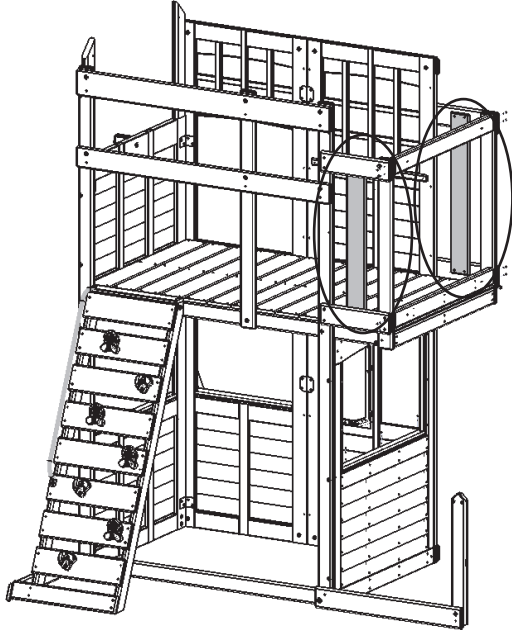
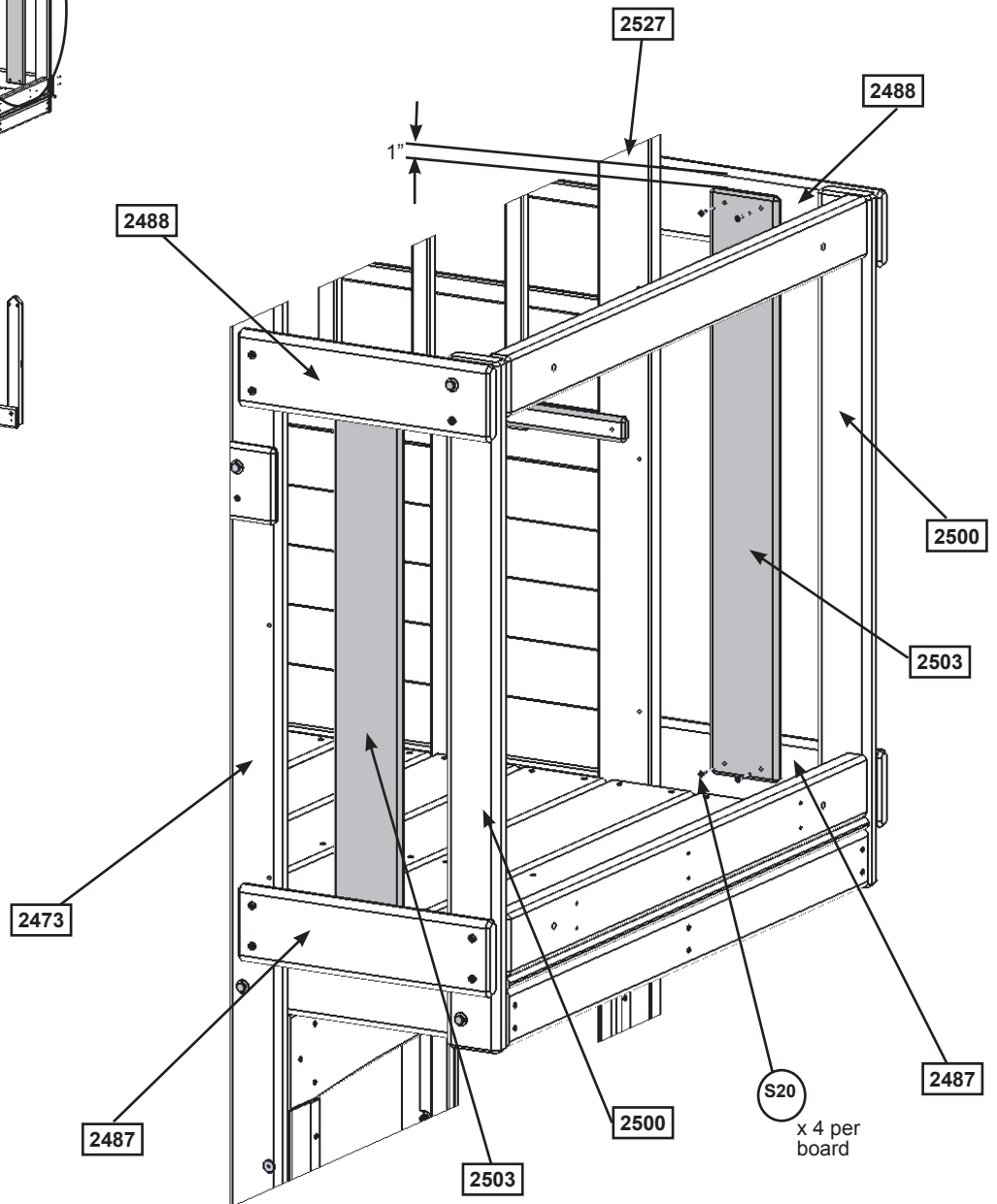


Fig. 16.8



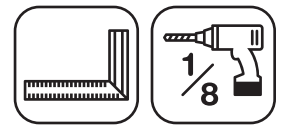
Wood Parts

2 x **2503** Wall Board 1 x 5 x 32-1/2"

Hardware

8 x **S20** #8 x 1-3/8" Wood Screw

Step 16: Crowsnest and Back Wall Assembly Part 4



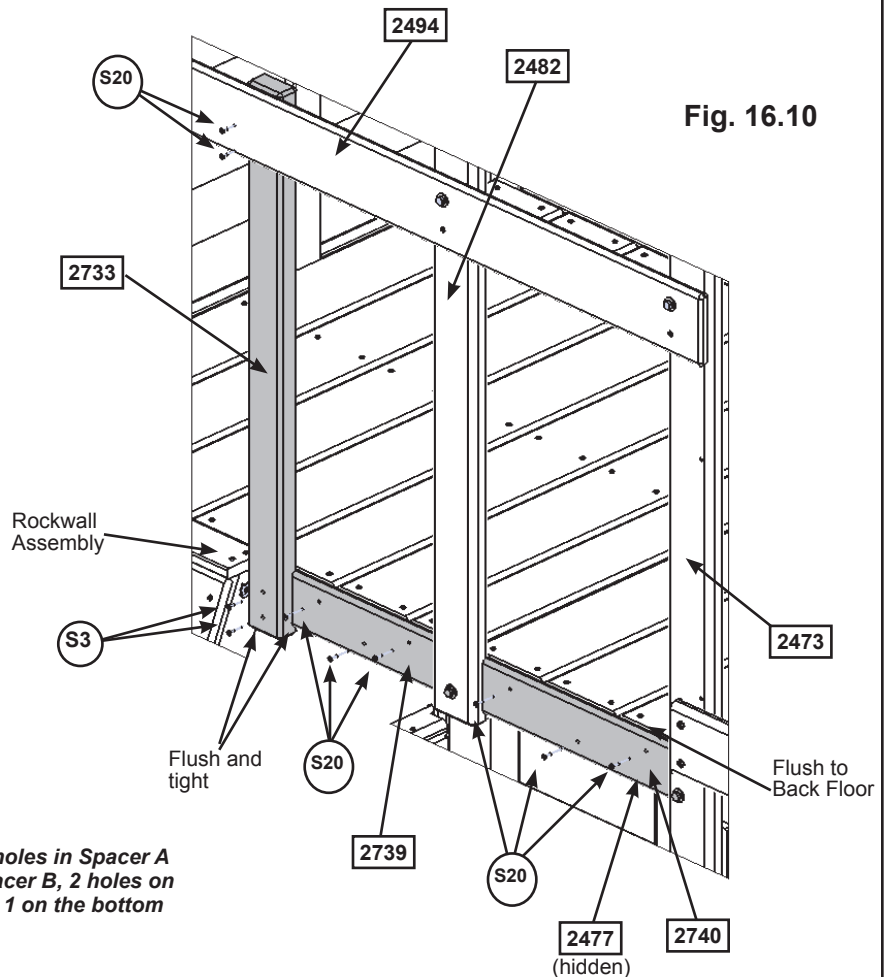
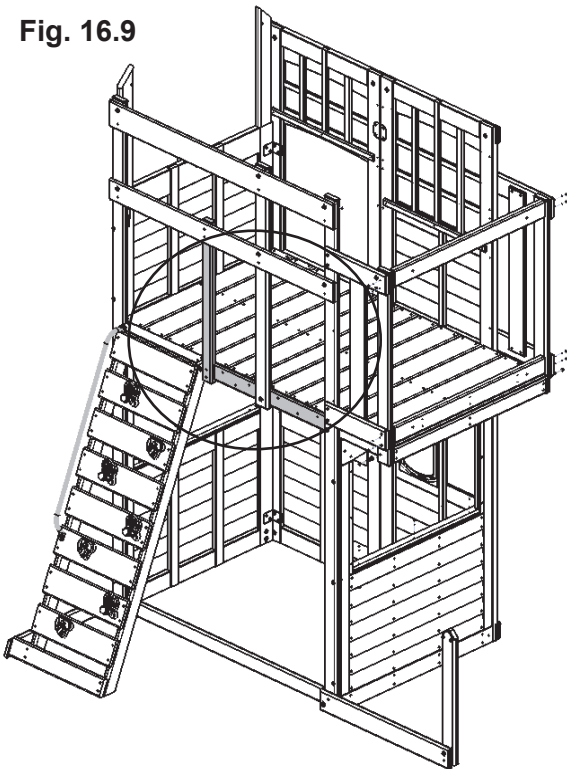
Pre-drill holes using a 1/8" drill bit before installing the (S20) #8 x 1-3/8" Wood Screws in (2494) Middle Back.

I: Place (2733) Rockwall Post tight to the Rockwall Assembly and flush to the bottom of (2477) Back Floor Support. Top of (2733) Rockwall Post should be on the inside of (2494) Middle Back and the two boards should be square. Then attach to (2477) Back Floor Support with 2 (S3) #8 x 2-1/2" Wood Screws and to (2494) Middle Back in the pre-drilled holes with 2 (S20) #8 x 1-3/8" Wood Screws. (fig. 16.9 and 16.10)

J: In between (2733) Rockwall Post and (2482) Back Wall Support place (2739) Spacer A flush to the top of (2477) Back Floor. Notice the 2 holes are at the top and 1 at the bottom of the board. Attach with 3 (S20) #8 x 1-3/8" Wood Screws. (fig. 16.9 and 16.10)

K: In between (2473) Post and (2482) Back Wall Support place (2740) Spacer B flush to the top of the floor boards. Notice the 2 holes are at the top and 1 at the bottom of the board. Attach with 3 (S20) #8 x 1-3/8" Wood Screws. (fig. 16.9 and 16.10)

Fig. 16.9



Notice holes in Spacer A and Spacer B, 2 holes on top and 1 on the bottom

Wood Parts

- 1 x **2733** Rockwall Post 2 x 3 x 32"
- 1 x **2739** Spacer A 1 x 4 x 10-5/8"
- 1 x **2740** Spacer B 1 x 4 x 14"

Hardware

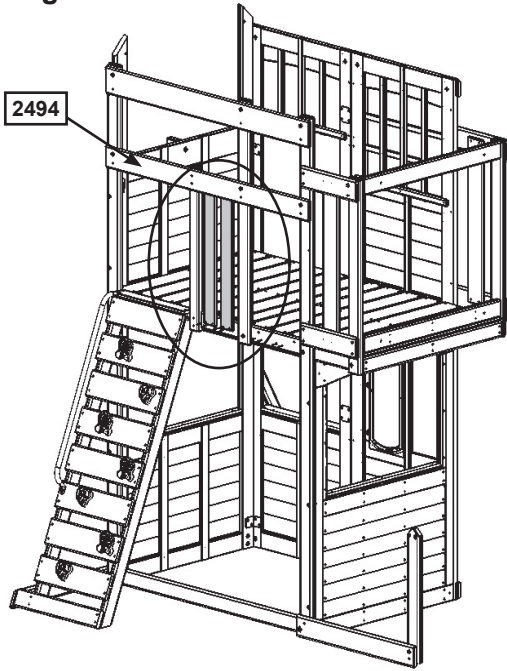
- 8 x **S20** #8 x 1-3/8" Wood Screw
- 2 x **S3** #8 x 2-1/2" Wood Screw

Step 16: Crowsnest and Back Wall Assembly Part 5

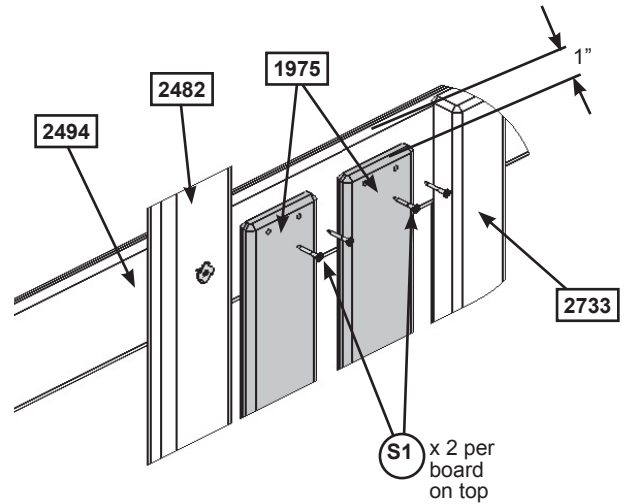


L: Place 2 (1975) Cedar Walls evenly spaced between (2733) Rockwall Post and (2482) Back Wall Support. The bottom of the boards should be on the outside of the assembly and the tops should be on the inside of the assembly and 1" down from the top of (2494) Middle Back. Attach (1975) Cedar Walls to (2482) Middle Back with 2 (S1) #8 x 1-1/8" Wood Screws per board and to (2739) Spacer A with 2 (S20) #8 x 1-3/8" Wood Screws per board. (fig. 16.11, 16.12 and 16.13)

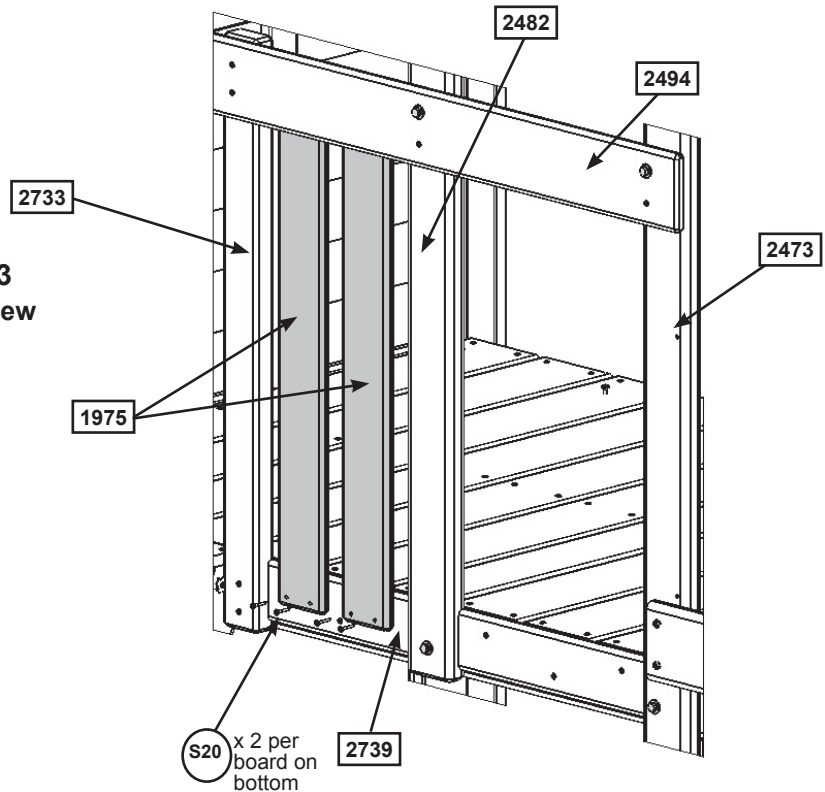
Fig. 16.11



**Fig. 16.12
Inside View**



**Fig. 16.13
Outside View**



Wood Parts

2 x **1975** Cedar Wall 1 x 4 x 29"

Hardware

4 x **S20** #8 x 1-3/8" Wood Screw

4 x **S1** #8 x 1-1/8" Wood Screw

Step 16: Crowsnest and Back Wall Assembly Part 6



M: From inside the assembly attach 1 (2341) Crowsnest Upright to each end of (2501) Crowsnest Top and (2489) Crowsnest Floor End with 2 (H3) 1/4 x 2-1/2" Hex Bolts (with lock washer, flat washer and t-nut) per board. (fig. 16.14, 16.15 and 16.16)

N: From inside the assembly, flush to top of (2501) Crowsnest Top, in between both (2341) Crowsnest Uprights, attach 1 (2337) Crowsnest Back with 6 (S15) #8 x 1-3/4" Wood Screws. (fig. 16.14 and 16.15)

O: From outside the assembly, flush to the inside of both (2341) Crowsnest Uprights place 1 (2338) Crowsnest Face on each board and attach from inside the assembly with 3 (S15) #8 x 1-3/4" Wood Screws per board. (fig. 16.14 and 16.16)

Fig. 16.14

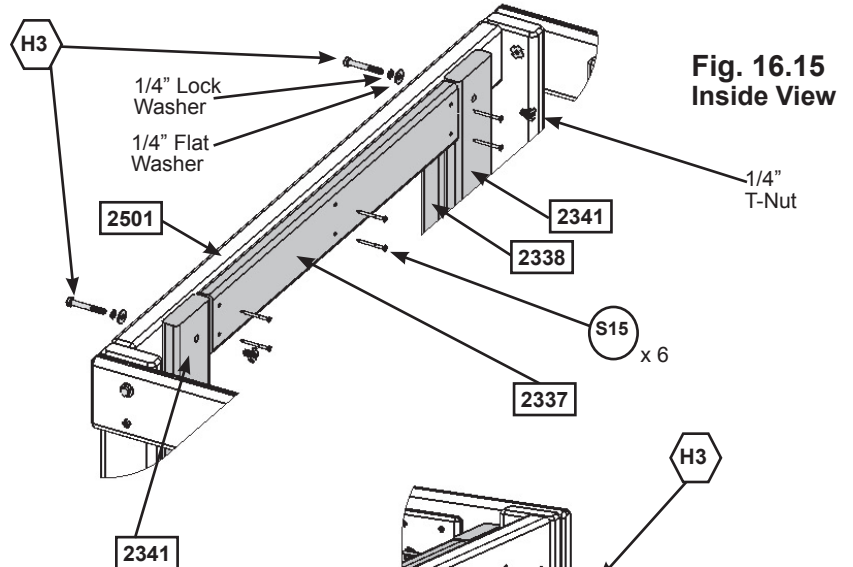
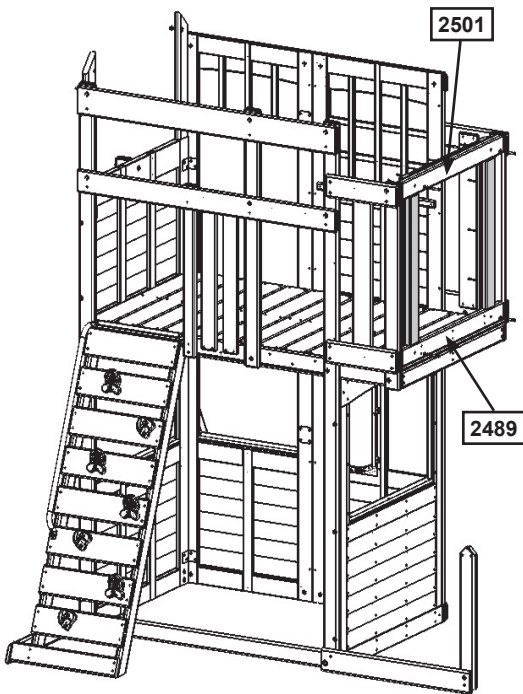


Fig. 16.15
Inside View

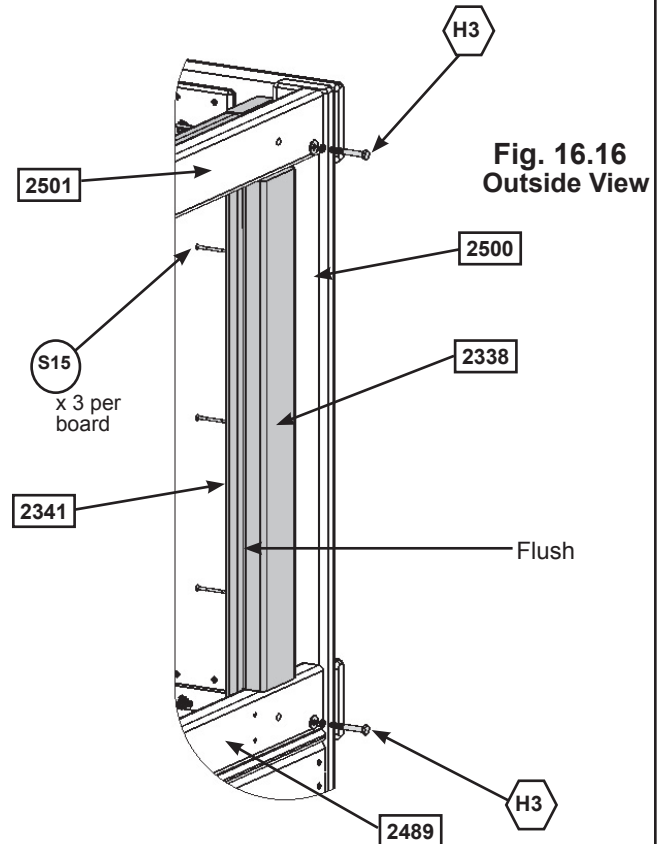


Fig. 16.16
Outside View

Wood Parts

- 2 x 2341 Crowsnest Upright 5/4 x 4 x 34-3/8"
- 1 x 2337 Crowsnest Back 5/4 x 4 x 25-1/2"
- 2 x 2338 Crowsnest Face 2 x 4 x 27-1/2"

Hardware

- 4 x H3 1/4 x 2-1/2" Hex Bolt (1/4" lock washer, 1/4" flat washer, 1/4" t-nut)
- 12 x S15 #8 x 1-3/4" Wood Screw

Step 16: Crowsnest and Back Wall Assembly Part 7



P: Centre 3 (2340) Crowsnest Joists over the pilot holes in (2337) Crowsnest Back so the 2 outside (2340) Crowsnest Joists are flush to the outside edges of (2337) Crowsnest Back, then attach with 6 (S3) #8 x 2-1/2" Wood Screws. (fig. 16.17)

Q: Measure 3/16" from the front of (2337) Crowsnest Back attach 1 (2339) Crowsnest Floor flush to the outside edges with 5 (S20) #8 x 1-3/8" Wood Screws. (fig. 16.17)

R: Place the floor assembly just created in between both (2341) Crowsnest Uprights, flush to the top and tight to (2489) Crowsnest Floor End. (2339) Crowsnest Floor is at the back of the assembly. Attach floor assembly to (2489) Crowsnest Floor End with 6 (S4) #8 x 3" Wood Screws. (fig. 16.18 and 16.19)

S: Place (2738) Crowsnest Floor Board, in between (2339) Crowsnest Floor and (2489) Crowsnest Floor End so the notches fit around the (2341) Crowsnest Uprights then attach with 5 (S20) #8 x 1-3/8" Wood Screws. Notice the orientation of (2738) Crowsnest Floor Board. (fig. 16.18 and 16.19)

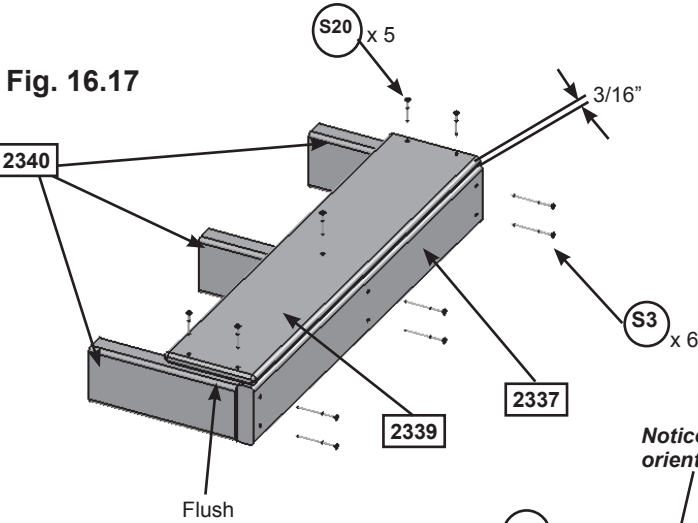
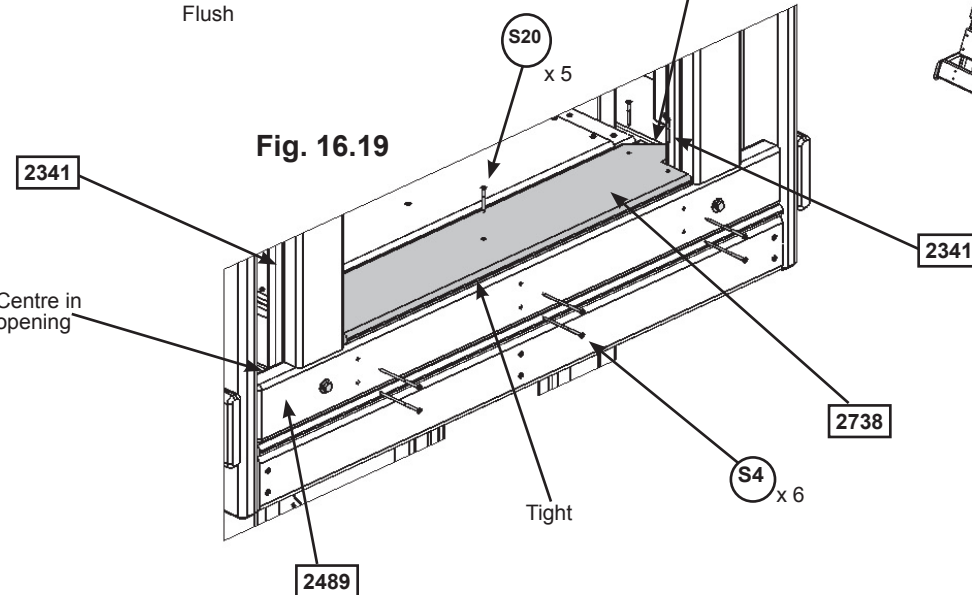
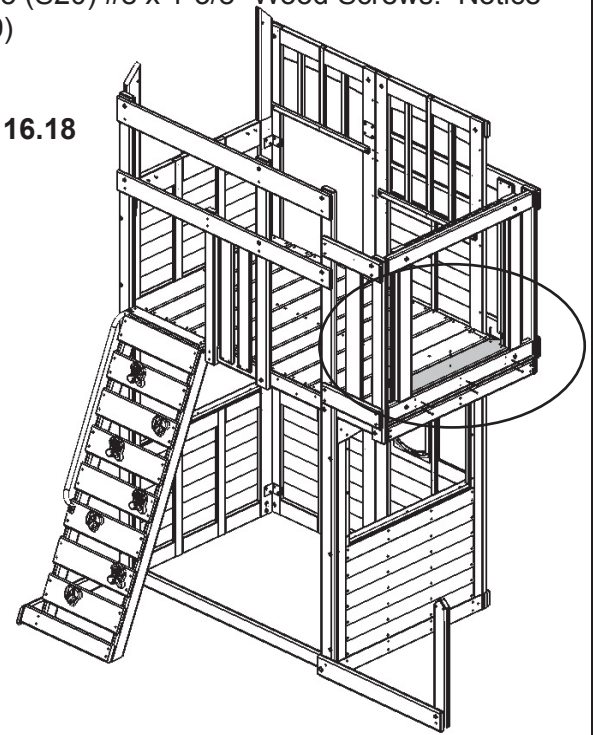


Fig. 16.18



Wood Parts

- 3 x **2340** Crowsnest Joist 2 x 4 x 8-5/8"
- 1 x **2337** Crowsnest Back 5/4 x 4 x 25-1/2"
- 1 x **2339** Crowsnest Floor 1 x 6 x 25-3/8"
- 1 x **2738** Crowsnest Floor Board 5/8 x 5-1/4 x 31-1/2"

Hardware

- 10 x **S20** #8 x 1-3/8" Wood Screw
- 6 x **S3** #8 x 2-1/2" Wood Screw
- 6 x **S4** #8 x 3" Wood Screw

Step 17: Roof Support Assembly Part 1



A: Attach (2518) Roof Support Right to (2499) Roof Support Left at peak using 1 (S4) #8 x 3" Wood Screw. (fig. 17.1)

B: Repeat Step A to create a second Roof Support Assembly. (fig. 17.1)

C: On one of the assemblies attach (8611) Gable Bottom to (2518) Roof Support Right to (2499) Roof Support Left with 2 (H10) 1/4 x 2-1/4" Hex Bolts (with lock washer, flat washer and t-nut). (fig. 17.2)

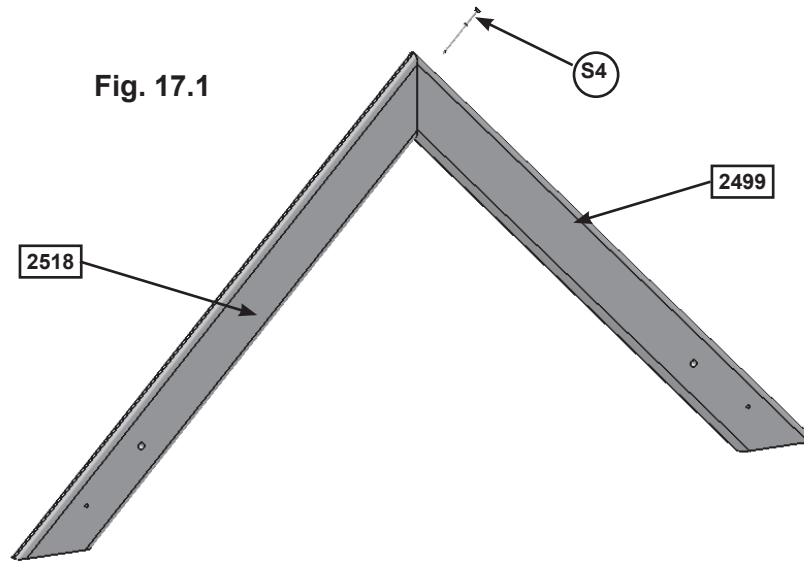


Fig. 17.1

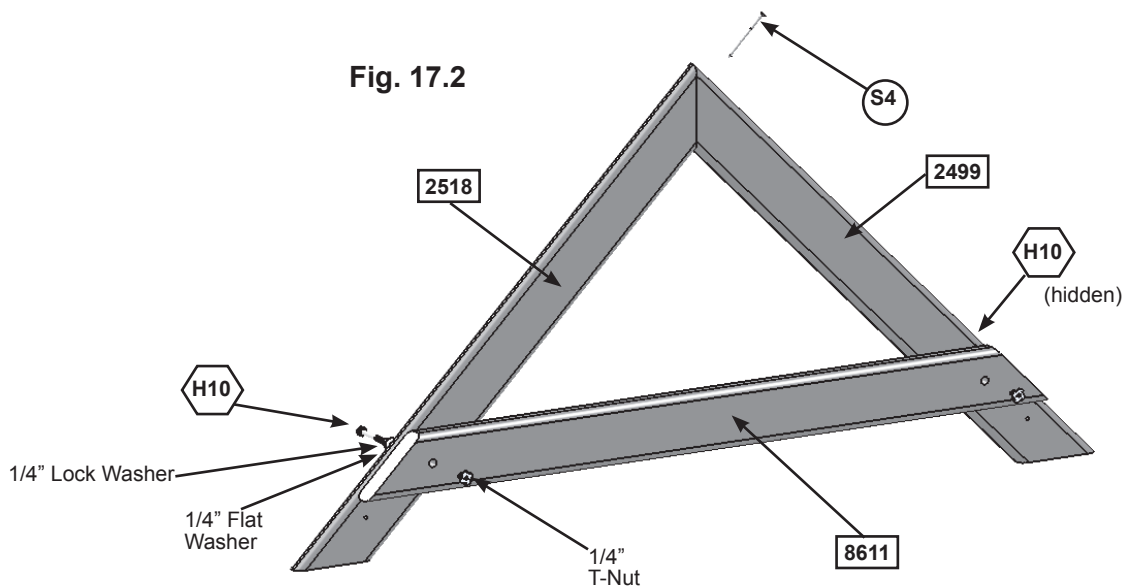


Fig. 17.2

Wood Parts

- 2 x 2518 Roof Support Right 5/4 x 4 x 34"
- 2 x 2499 Roof Support Left 5/4 x 4 x 34"
- 1 x 8611 Gable Bottom 2 x 4 x 41"

Hardware

- 2 x S4 #8 x 3" Wood Screw
- 2 x H10 1/4 x 2-1/4" Hex Bolt
(1/4" lock washer, 1/4" flat washer, 1/4" t-nut)

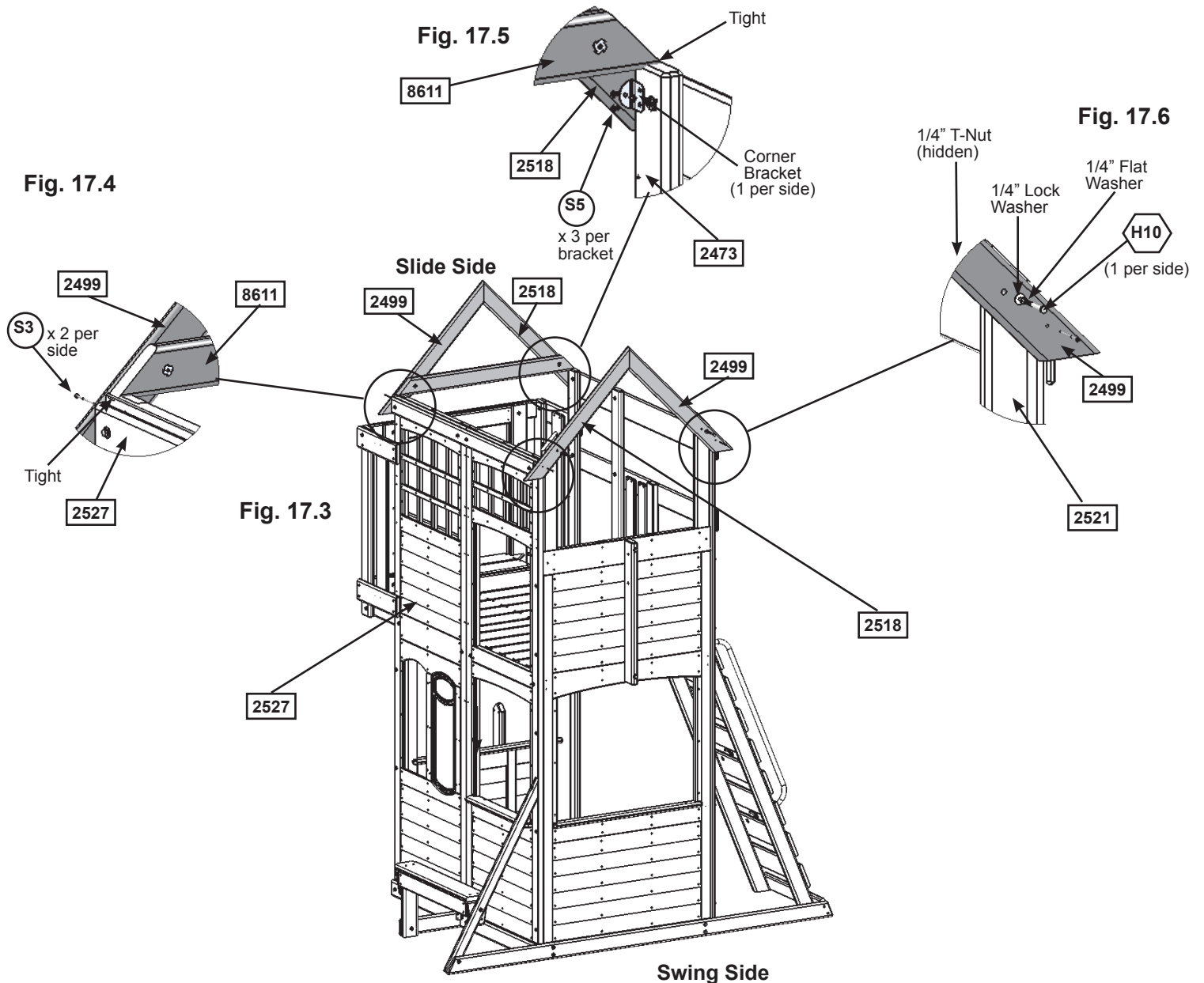
Step 17: Roof Support Assembly Part 2



D: Place Roof Support Assembly with (8611) Gable Bottom on the Slide Side so the (8611) Gable Bottom sits on top of (2527) Chalkwall Panel and (2473) Post. The supports are flush to the ends of (2527) Chalkwall Panel and (2473) Post then attach with 1 (S3) #8 x 2-1/2" Wood Screw per side from outside the fort. (fig. 17.3, 17.4 and 17.5)

E: From inside the assembly attach Roof Support Assembly with (8611) Gable Bottom to (2527) Chalkwall Panel and (2473) Post using 1 Corner Bracket with 3 (S5) #8 x 1/2" Pan Screws per side. (fig. 17.3, 17.4 and 17.5)

F: Place remaining Roof Support Assembly tight to the tops of (2521) SW Side Posts and attach with 1 (H10) 1/4 x 2-1/4" Hex Bolt (with lock washer, flat washer and t-nut) and 1 (S3) #8 x 2-1/2" Wood Screw per side. (fig. 17.3 and 17.6)



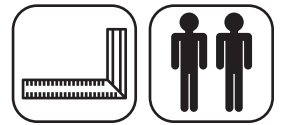
Hardware

- 4 x (S3) #8 x 2-1/2" Wood Screw
- 6 x (S5) #8 x 1/2" Pan Screw
- 2 x (H10) 1/4 x 2-1/4" Hex Bolt
(1/4" lock washer, 1/4" flat washer, 1/4" t-nut)

Other Parts

- 2 x Corner Bracket

Step 18: Roof Assembly Part 1



A: Connect 1 (2525) Roof Panel to a second (2525) Roof Panel so the one panel overlaps the other and the inside angle is square and tight. Attach panels together with 5 (S15) #8 x 1-3/4" Wood Screws per panel. (fig. 18.1 and 18.2)

Fig. 18.1

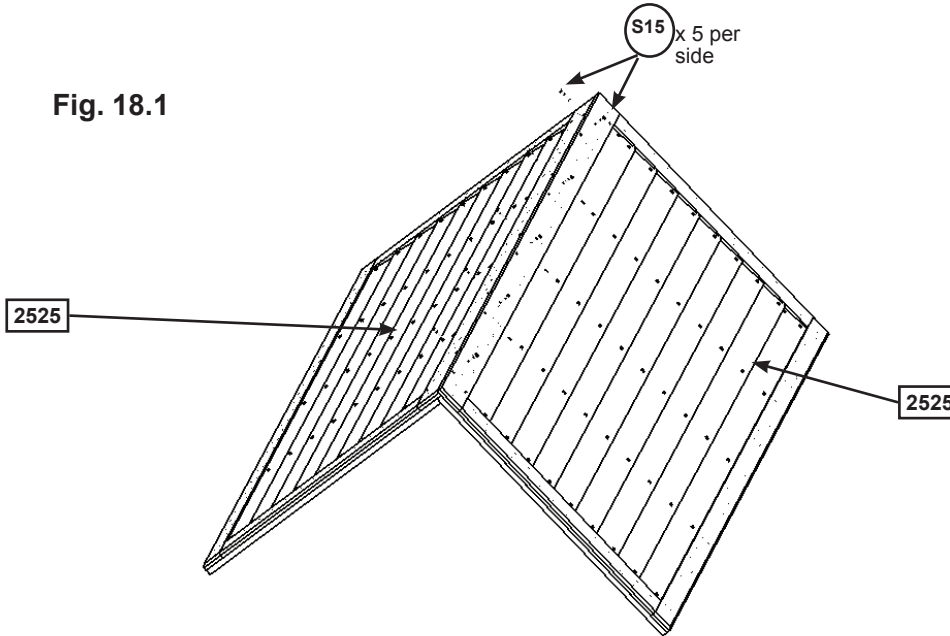
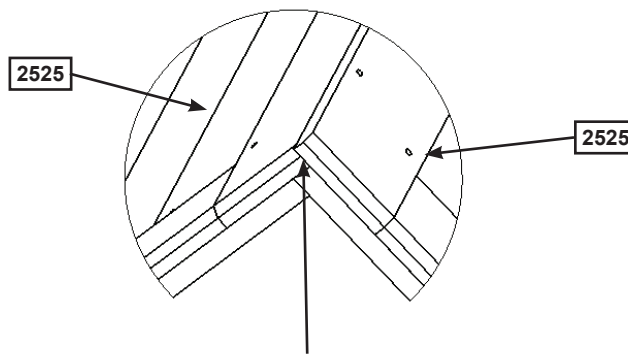


Fig. 18.2



Notice overlap is flush.

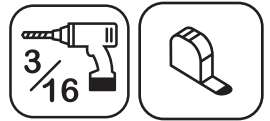
Wood Parts

2 x **2525** Roof Panel 1-1/4 x 35-7/16 x 64"

Hardware

10 x **S15** #8 x 1-3/4" Wood Screw

Step 18: Roof Assembly Part 2



B: On the inside of the Roof Assembly on 1 (2525) Roof Panel, on the 5th siding down, measure 3/4" in from the edge of the middle slat and pre-drill 2 holes with a 3/16" drill bit as shown in fig. 18.3 and 18.4. This will now be referred to as the front of the Roof Assembly.

C: On the outside of the Roof Assembly place (8069) Dormer Cleat over the pre-drilled holes and from inside the assembly attach with 2 (S7) #12 x 2" Pan Screws (with flat washer). (fig. 18.4 and 18.5)

Fig. 18.3

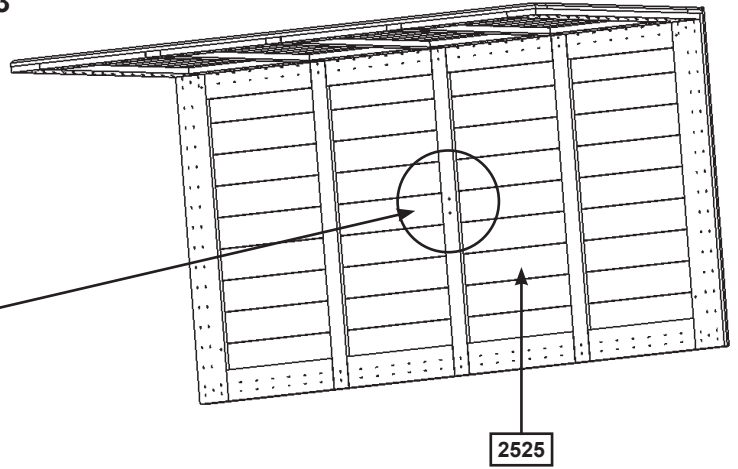


Fig. 18.4

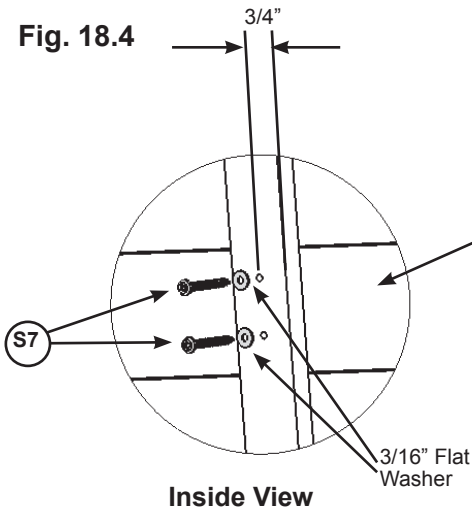
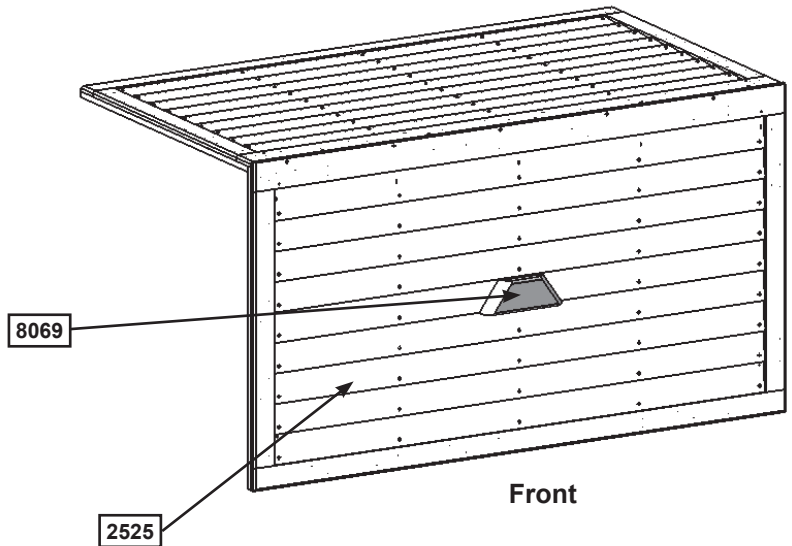


Fig. 18.5



Wood Parts

1 x 8069 Dormer Cleat 2 x 4 x 10"

Hardware

2 x S7 #12 x 2" Pan Screw
(3/16" flat washer)

Step 18: Roof Assembly

Part 3

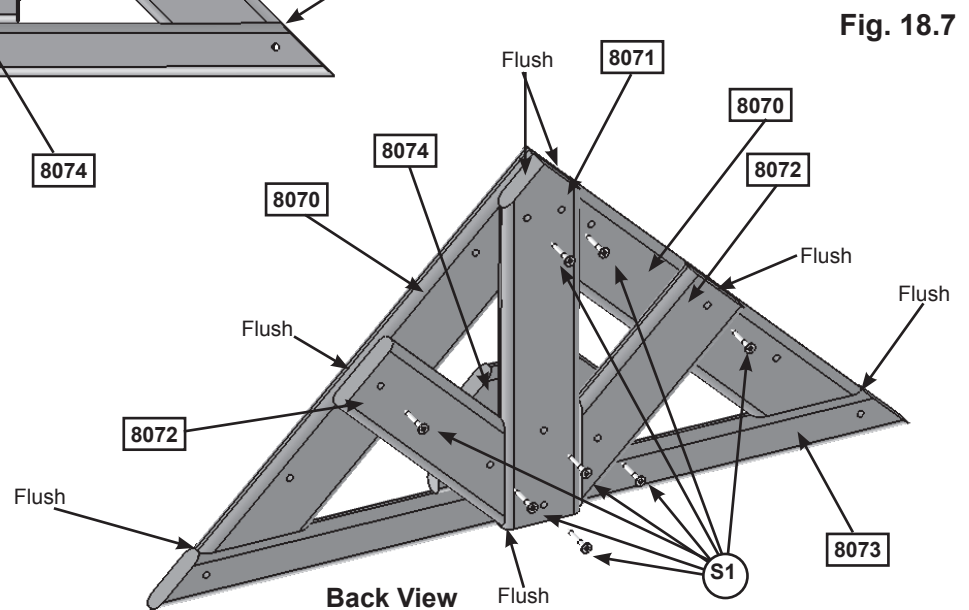
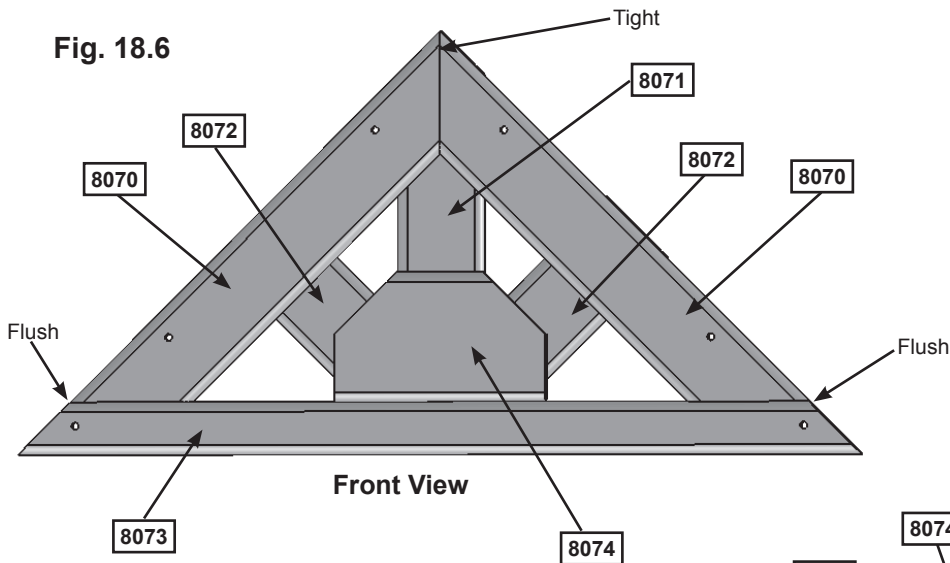
D: Lay 2 (8070) Dormer Sides flat on the ground so the tops are tight together and form a peak. The side facing up will be the back. (fig. 18.6 and 18.7)

E: Tight to the bottom of both (8070) Dormer Sides place (8073) Dormer Bottom so the outside edges are flush. (fig. 18.6 and 18.7)

F: On the front of the assembly, centred on top of (8073) Dormer Bottom, place (8074) Dormer Burst. (fig. 18.6 and 18.7)

G: Place (8071) Dormer Centre on the back side, flush to the bottom of (8073) Dormer Bottom so the tip is centred at the peak of the (8070) Dormer Sides then attach with 4 (S1) #8 x 1-1/8" Wood Screws. (fig. 18.7)

H: Place 1 (8072) Dormer Side Burst tight to each side of (8071) Dormer Centre so they are flush to the bottom of (8073) Dormer Bottom then attach with 2 (S1) #8 x 1-1/8" Wood Screws per board. (fig. 18.7)



Wood Parts

2 x	8070	Dormer Side 1 x 3 x 13-5/8"
1 x	8073	Dormer Bottom 1 x 2 x 22"
1 x	8074	Dormer Burst 1 x 4 x 5-1/2"
1 x	8071	Dormer Centre 1 x 3 x 10-3/4"
2 x	8072	Dormer Side Burst 1 x 3 x 6-3/4"

Hardware

8 x (S1) #8 x 1-1/8" Wood Screw

Step 18: Roof Assembly

Part 4

I: Attach Dormer Roof Right to Dormer Roof Left, from (8068) Dormer Roof Set at the inside peak with 1 Wall Angle Bracket using 2 (S5) #8 x 1/2" Pan Screws. (fig. 18.8)

J: Place the Dormer Burst Assembly from Step 17, Part 3 on the inside edge of each Dormer Roof and attach with 6 (S1) #8 x 1-1/8" Wood Screws. (fig. 18.8)

K: Place completed Dormer Assembly over (8069) Dormer Cleat and attach with 2 (S3) #8 x 2-1/2" Wood Screws (fig. 18.9)

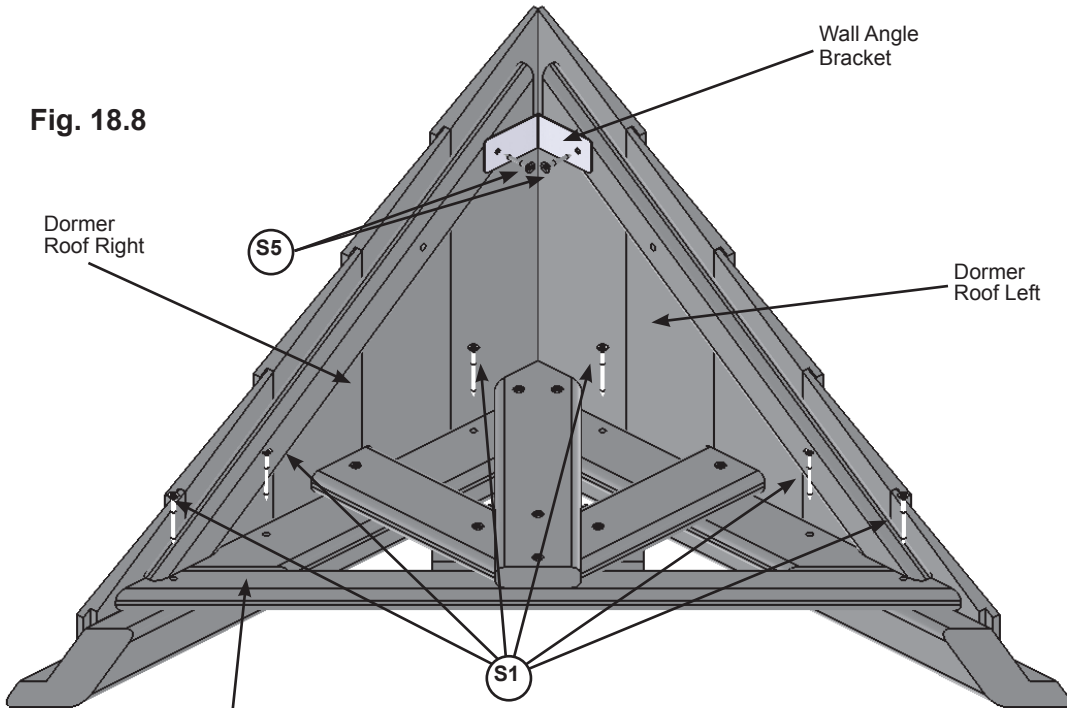


Fig. 18.8

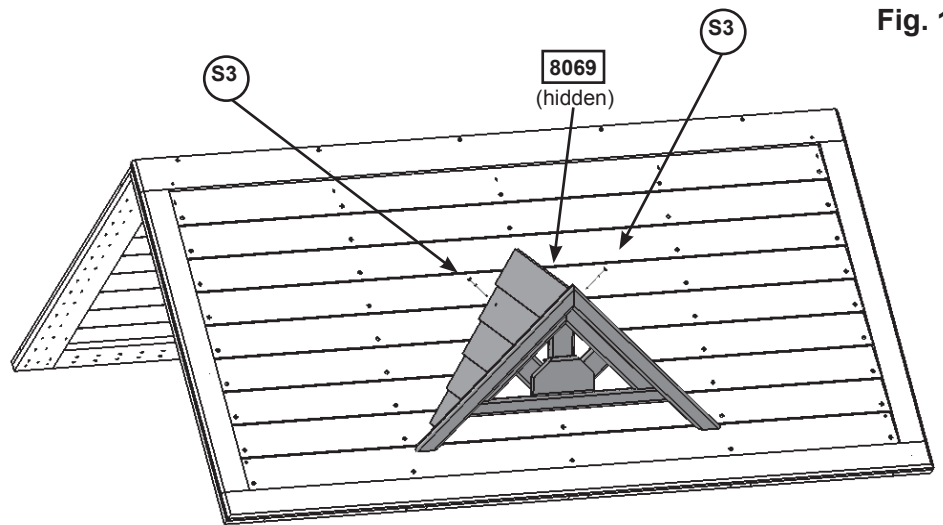


Fig. 18.9

Front

Wood Parts

1 x 8068 Dormer Roof Set
Includes:
1 x Dormer Roof Right
1 x Dormer Roof Left

Hardware

6 x S1 #8 x 1-1/8" Wood Screw
2 x S5 #8 x 1/2" Pan Screw
2 x S3 #8 x 2-1/2" Wood Screw

Other Parts

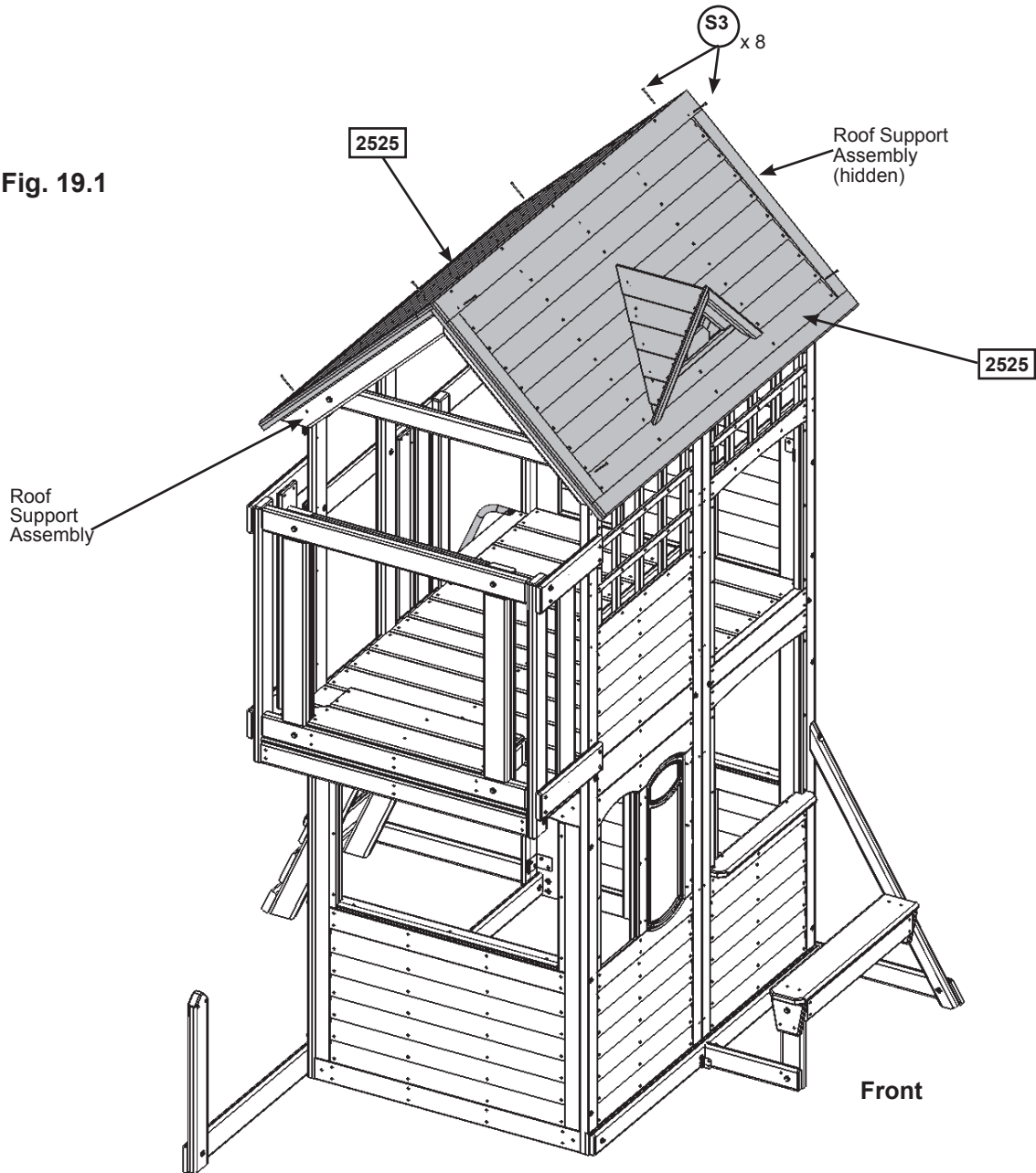
1 x Wall Angle Bracket

Step 19: Attach Roof Assembly to Fort




A: With 2 people on the ground and at least 1 person in the fort, lift the Roof Assembly from Step 17, up and over the fort. The Dormer Assembly should be on the front of the assembly. Guide the Roof Assembly onto the fort so it is centred over the Roof Support Assemblies then attach with 4 (S3) #8 x 2-1/2" Wood Screws per (2525) Roof Panel, 1 screw in each corner. (fig. 19.1)

Fig. 19.1



Hardware

8 x  #8 x 2-1/2" Wood Screw

Step 20: Attach Gable Boards to Fort



A: Centre (8614) Sunburst lengthway on the outside of (8611) Gable Bottom then measure 1-1/4" up from the bottom of (8611) Gable Bottom and attach (8614) Sunburst with 2 (S15) #8 x 1-3/4" Wood Screws. (fig. 20.1 and 20.2)

B: On the inside of the assembly place (8612) Centre Gable Board tight to the top of (8611) Gable Bottom so the tip is centred at the peak of the Roof Support Assembly then attach to (2518) Roof Support Right, (2499) Roof Support Left and (8614) Sunburst with 4 (S20) #8 x 1-3/8" Wood Screws. (fig. 20.1 and 20.3)

C: Place 1 (8613) Gable Board A tight to each side of (8612) Centre Gable Board and tight to the top of (8611) Gable Bottom then attach to (2518) Roof Support Right, (2499) Roof Support Left and (8614) Sunburst with 3 (S20) #8 x 1-3/8" Wood Screws per board. (fig. 20.1 and 20.3)

Fig. 20.2

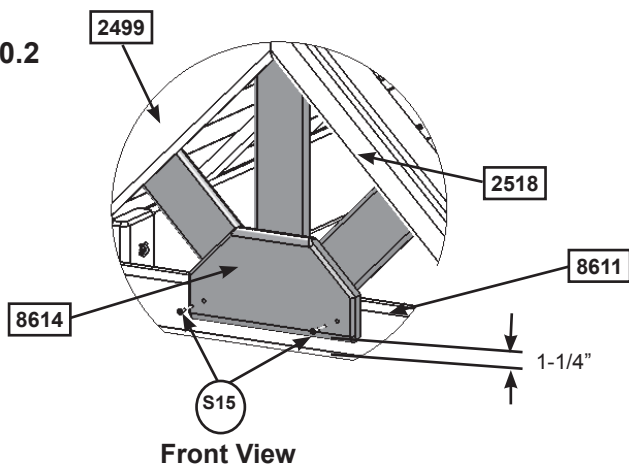


Fig. 20.1

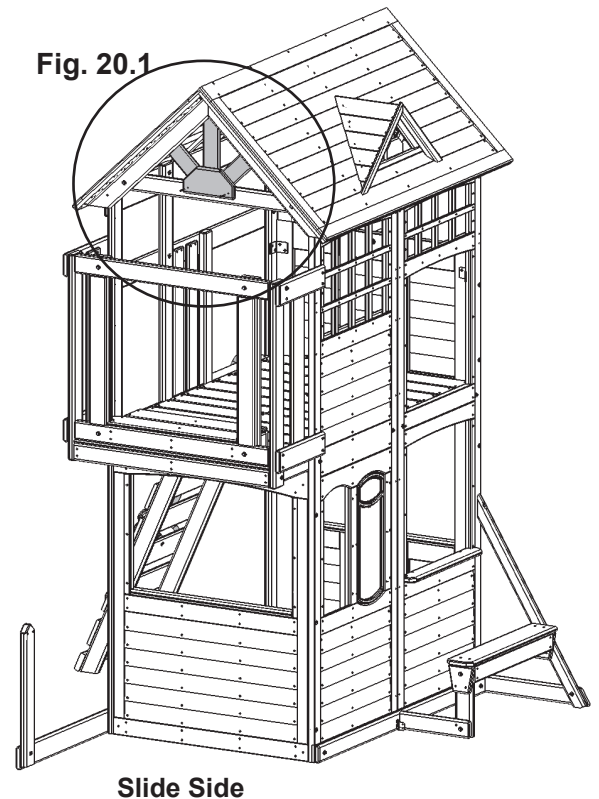
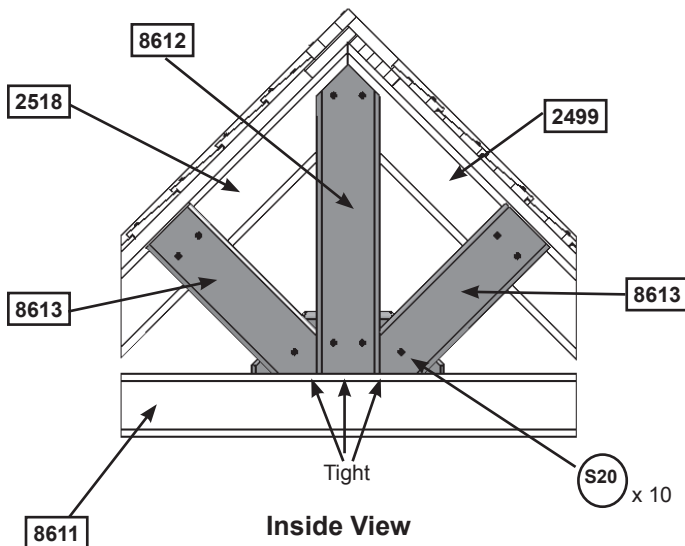


Fig. 20.3



Wood Parts

- 1 x 8614 Sunburst 5/4 x 6 x 10"
- 1 x 8612 Centre Gable Board 1 x 4 x 16-1/8"
- 2 x 8613 Gable Board A 1 x 4 x 10-15/16"

Hardware

- 2 x S15 #8 x 1-3/4" Wood Screw
- 10 x S20 #8 x 1-3/8" Wood Screw

Step 21: Install Ground Stakes



MOVE FORT TO FINAL LOCATION PRIOR TO STAKING
FINAL LOCATION MUST BE LEVEL GROUND

A: Drive 1 (0318) Ground Stake 10-1/2" into the ground at (2491) Diagonal, at end of (2474) Ground SW at back of fort, on (8168) SL Support and on (2529) SL Side Panel at front of fort as shown in fig. 21.1. Attach using 2 (S3) #8 x 2-1/2" Wood Screws per ground stake. (fig. 21.2)

⚠WARNING: To prevent tipping and avoid potential injury, stakes must be driven 10-1/2" into ground. Digging or driving stakes can be dangerous if you do not check first for underground wiring, cables or gas lines.

Fig. 21.1

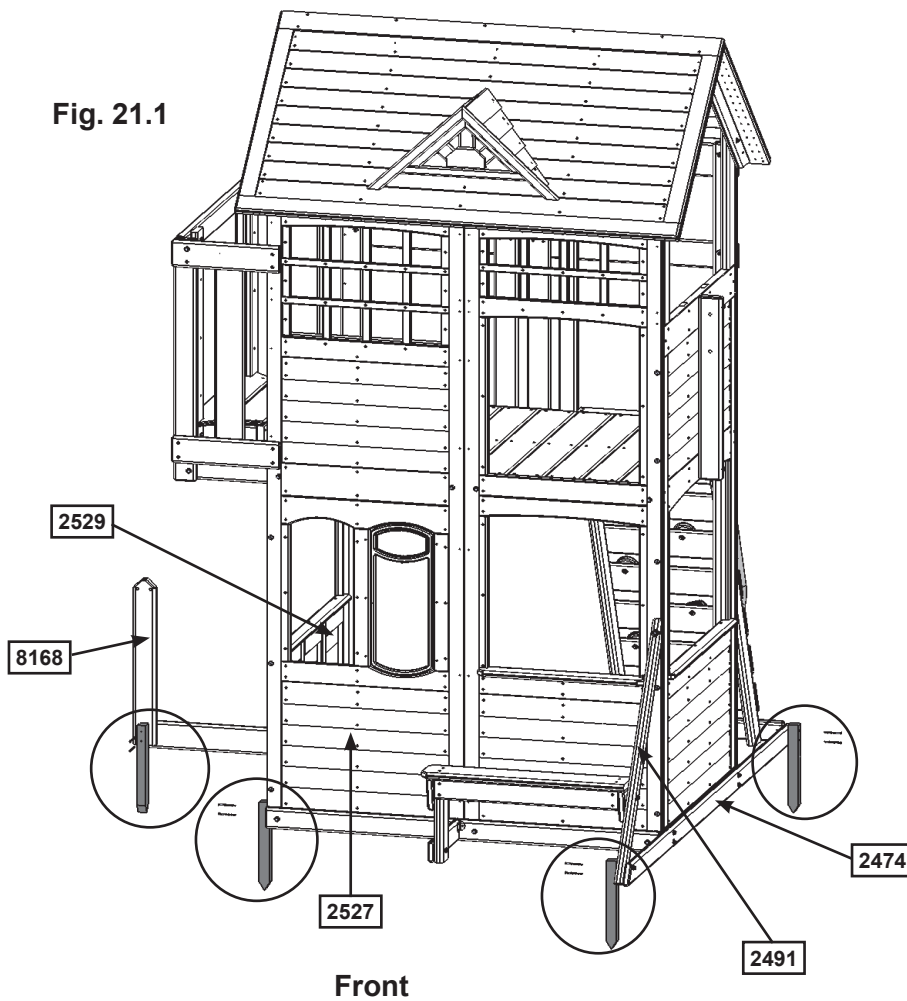
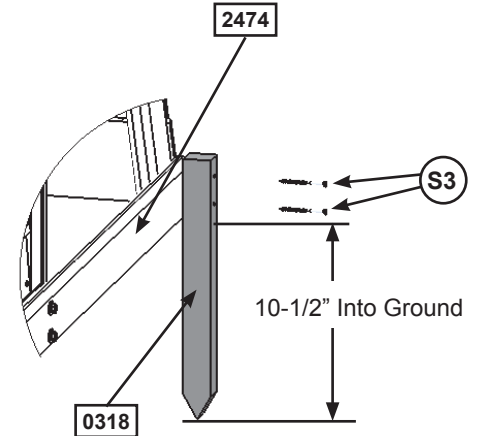


Fig. 21.2

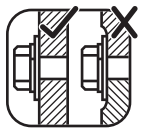


Wood Parts

4 x 0318 Ground Stake 1-1/4 x 1-1/2 x 14"

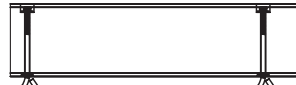
Hardware

8 x S3 #8 x 2-1/2" Wood Screw



Step 22: Swing Beam Assembly

Fig. 22.3



Make sure triangle is tight against beam

WARNING: For your child's safety, orientate the swing hangers as shown to ensure your swing will have proper swing motion when installed. Failure to do so could result in premature failure of the swing hanger or swing chain.

A: In the middle holes of (1249) Back Beam install 2 Bolt-Thru Swing Hangers (fig. 22.1) making sure the swing hangers are oriented in the direction shown in fig. 22.3 to maintain proper swing motion.

B: In the end holes of (1248) Front Beam install 2 Bolt-Thru Swing Hangers (fig. 22.1) making sure the swing hangers are oriented in the direction shown in fig. 22.3 to maintain proper swing motion.

Bolt-Thru Swing Hangers

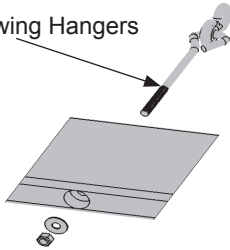
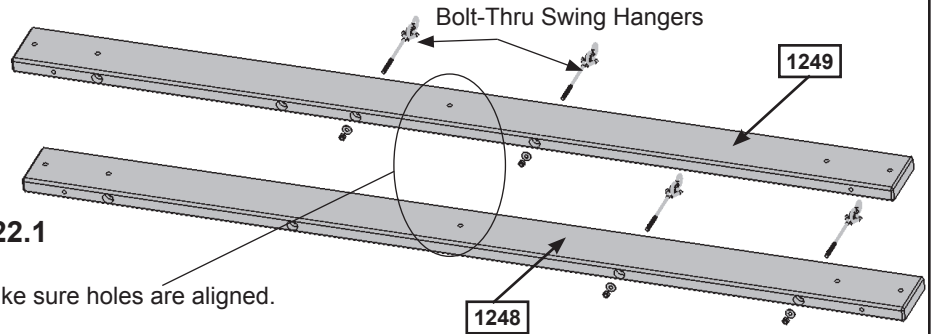


Fig. 22.1

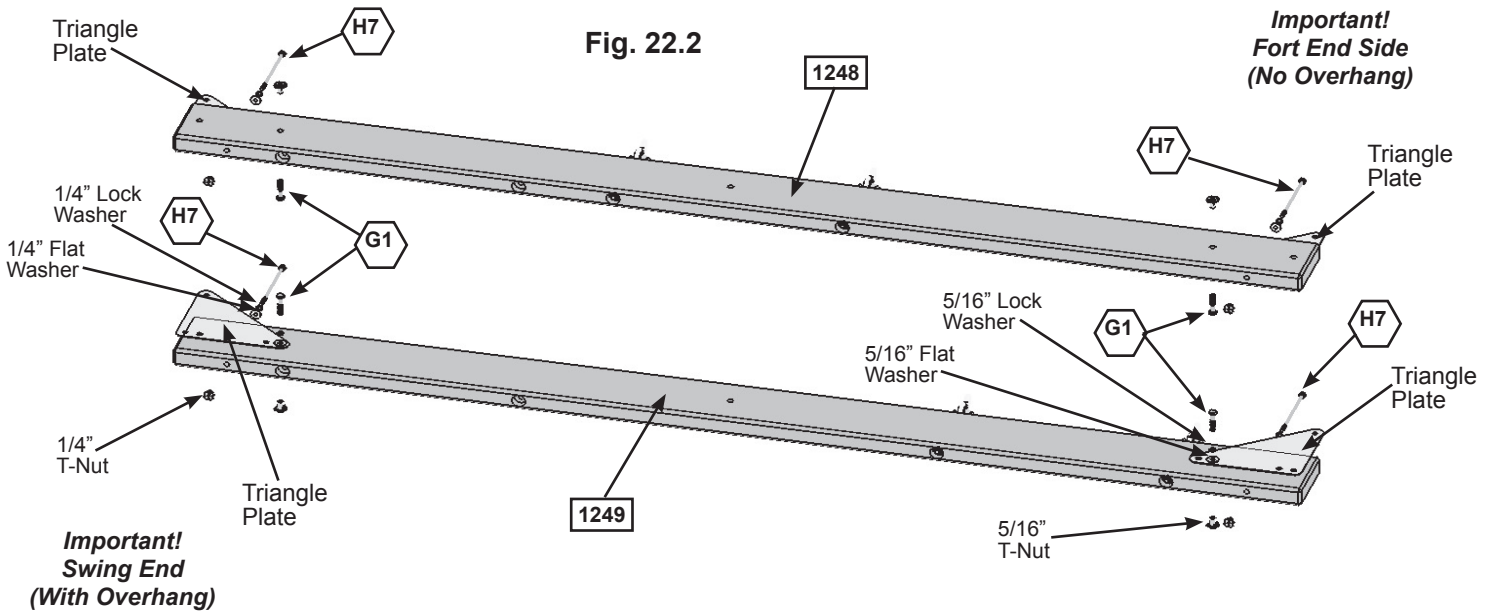
Make sure holes are aligned.



C: Attach 1 Triangle Plate to the ends of each (1248) Front Beam and (1249) Back Beam using 1 (G1) 5/16 x 1-1/2" Hex Bolt (with lock washer, flat washer and t-nut) per triangle plate in the hole indicated in fig. 22.2. **Correct hole usage is very important.**

D: Attach 1 (H7) 1/4 x 5-1/2" Hex Bolt (with lock washer, flat washer and t-nut) to the ends of each (1248) Front Beam and (1249) Back Beam. The bolts do not attach to anything, but **MUST** be installed to the beams to prevent splitting and checking of wood. (fig. 22.2)

Fig. 22.2



Important!
Fort End Side
(No Overhang)

Important!
Swing End
(With Overhang)

Wood Parts

- 1 x **1248** Front Beam 2 x 6 x 94"
- 1 x **1249** Back Beam 2 x 6 x 94"

Hardware

- 4 x **H7** 1/4 x 5-1/2" Hex Bolt (1/4" flat washer, 1/4" lock washer, 1/4" t-nut)
- 4 x **G1** 5/16 x 1-1/2" Hex Bolt (5/16" flat washer, 5/16" lock washer, 5/16" t-nut)

Other Parts

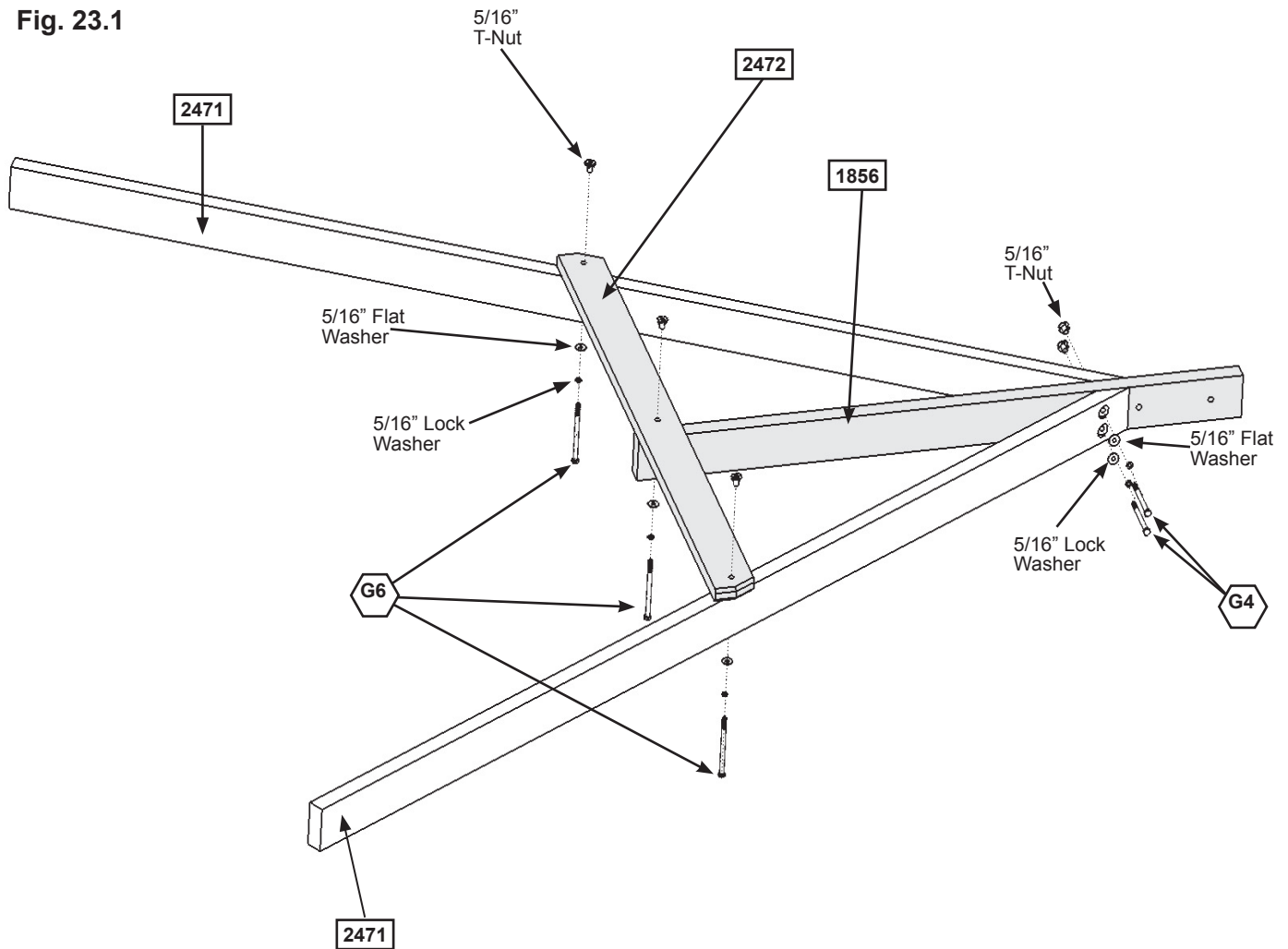
- 1 x Bolt-Thru Swing Hangers (pkg of 4)
- 1 x Triangle Plate (pkg of 4)



Step 23: Swing End Assembly

A: Attach 2 (2471) Heavy SW Posts to (1856) SW Upright using 2 (G4) 5/16 x 4" Hex Bolts (with lock washer, flat washer and t-nut). (fig. 23.1)

Fig. 23.1



B: Attach (2472) Heavy SW Support to both (2471) Heavy SW Posts and (1856) SW Upright using 3 (G6) 5/16 x 4-3/4" Hex Bolts (with lock washer, flat washer and t-nut). (fig. 23.1)

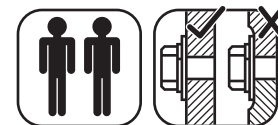
Wood Parts

- 2 x 2471 Heavy SW Post 2 x 3-3/8 x 86-11/16"
- 1 x 2472 Heavy SW Support 2 x 4 x 46-1/2"
- 1 x 1856 SW Upright 2 x 4 x 48-5/16"

Hardware

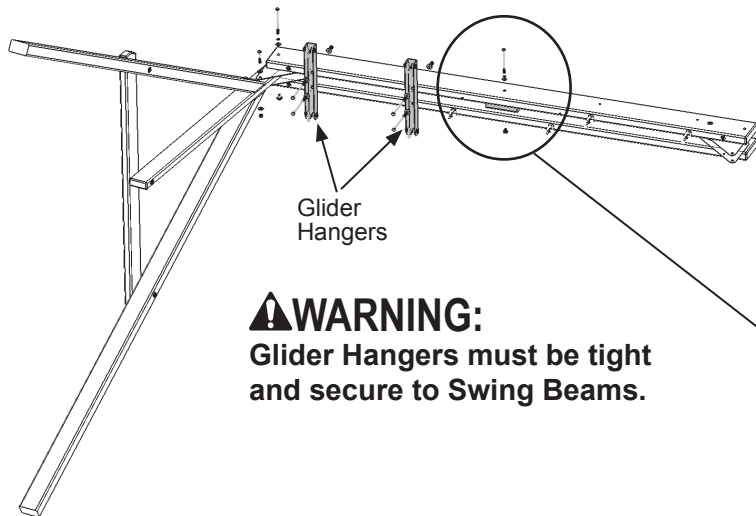
- 2 x G4 5/16 x 4" Hex Bolt
(5/16" lock washer, 5/16" flat washer, 5/16" t-nut)
- 3 x G6 5/16 x 4-3/4" Hex Bolt
(5/16" lock washer, 5/16" flat washer, 5/16" t-nut)

Step 24: Attach Swing End to Swing Beam



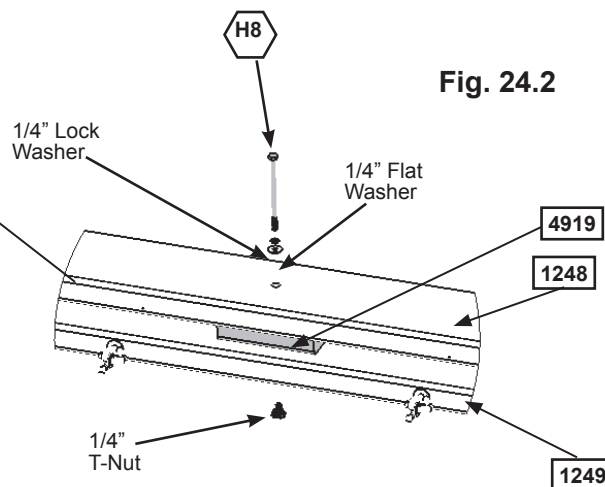
A: Place (4919) SW Rail Block in the centre between (1248) Front Beam and (1249) Back Beam and attach with 1 (H8) 1/4 x 4-1/4" Hex Bolt (with lock washer, flat washer and t-nut). (fig. 24.1 & 24.2)

Fig. 24.1



WARNING:
Glider Hangers must be tight and secure to Swing Beams.

Fig. 24.2



B: Attach Swing End Assembly to the side of the Swing Beam Assembly with the overhang (fig. 24.3 & 24.4) using 1 (G5) 5/16 x 4-1/2" Hex Bolt (with lock washer, flat washer and t-nut) in the top hole of Triangle Plate and 1 (G8) 5/16 x 2" Hex Bolt (with 2 flat washers and lock nut) in the bottom hole of Triangle Plate. (fig. 24.3) Make sure Swing End Assembly flares out at an angle. (fig. 24.4)

C: Attach 2 Glider Hangers to the Swing Beam Assembly using 2 (G7) 5/16 x 5-1/2" Hex Bolt (with 2 flat washers & lock nut) per Glider Hanger. (fig. 24.1 & 24.3)

Fig. 24.4

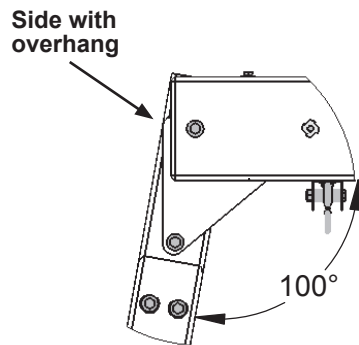
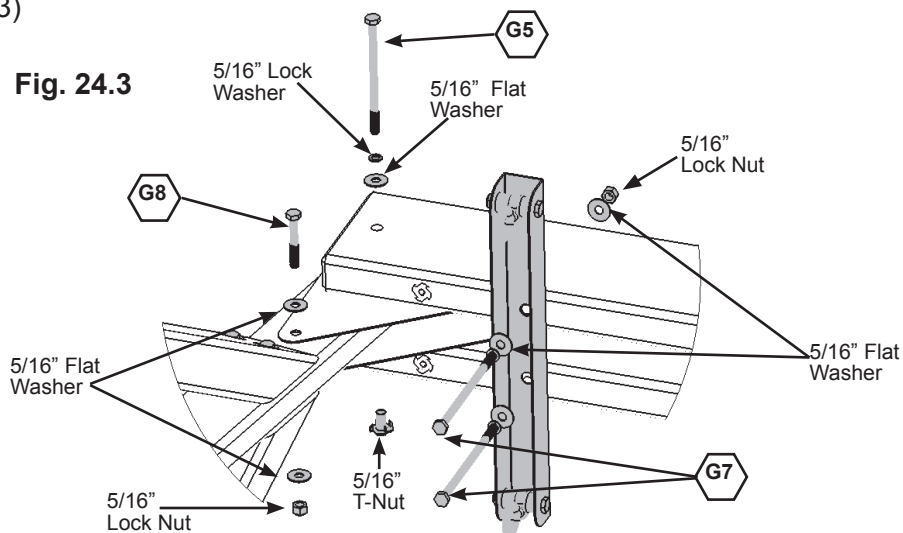


Fig. 24.3



Wood Parts

1 x 4919 SW Rail Block 2 x 4 x 5-3/8"

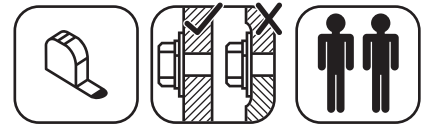
Hardware

- 1 x H8 1/4 x 4-1/4" Hex Bolt (1/4" lock washer, 1/4" flat washer, 1/4" t-nut)
- 1 x G5 5/16 x 4-1/2" Hex Bolt (5/16" lock washer, 5/16" flat washer, 5/16" t-nut)
- 4 x G7 5/16 x 5-1/2" Hex Bolt (5/16" flat washer x 2, 5/16" lock nut)
- 1 x G8 5/16 x 2" Hex Bolt (5/16" flat washer x 2, 5/16" lock nut)

Other Parts

2 x Glider Hanger

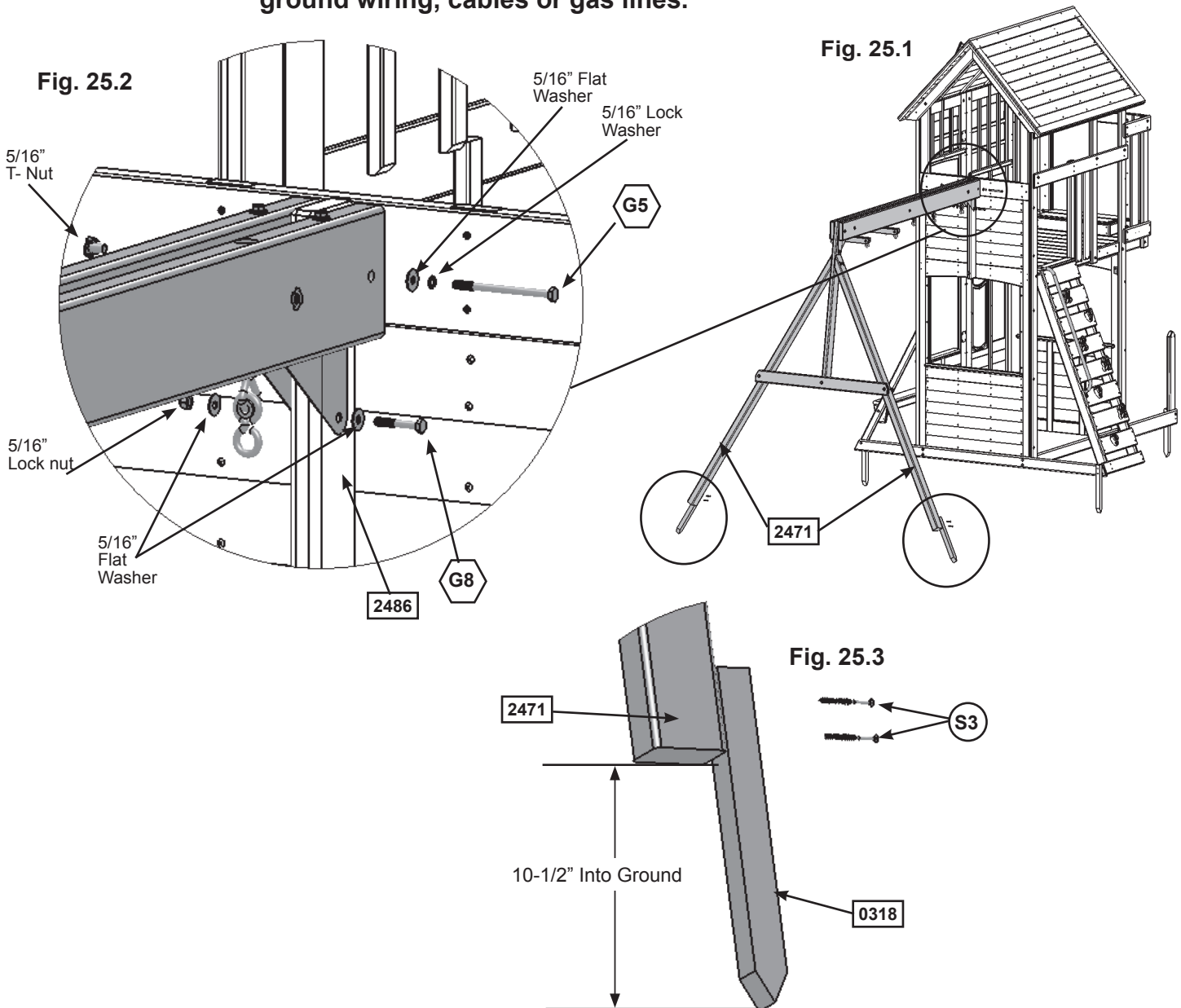
Step 25: Attach Swing Assembly to Fort



A: Attach Swing Assembly from Step 24 to (2486) SW Mount with 1 (G5) 5/16 x 4-1/2" Hex Bolt (with lock washer, flat washer and t-nut) and 1 (G8) 5/16 x 2" Hex Bolt (with 2 flat washers and 1 lock nut) as shown in fig. 25.1 and 25.2.

B: Drive 1 (0318) Ground Stake 10-1/2" into the ground at each (2471) Heavy SW Post on the inside of the assembly and attach with 2 (S3) #8 x 2-1/2" Wood Screws per ground stake. (fig. 25.1 and 25.3)

⚠WARNING: To prevent tipping and avoid potential injury, stakes must be driven 10-1/2" into ground. Digging or driving stakes can be dangerous if you do not check first for underground wiring, cables or gas lines.



Wood Parts

2 x 0318 Ground Stake 1-1/4 x 1-1/2 x 14"

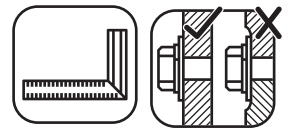
Hardware

4 x S3 #8 x 2-1/2" Wood Screw

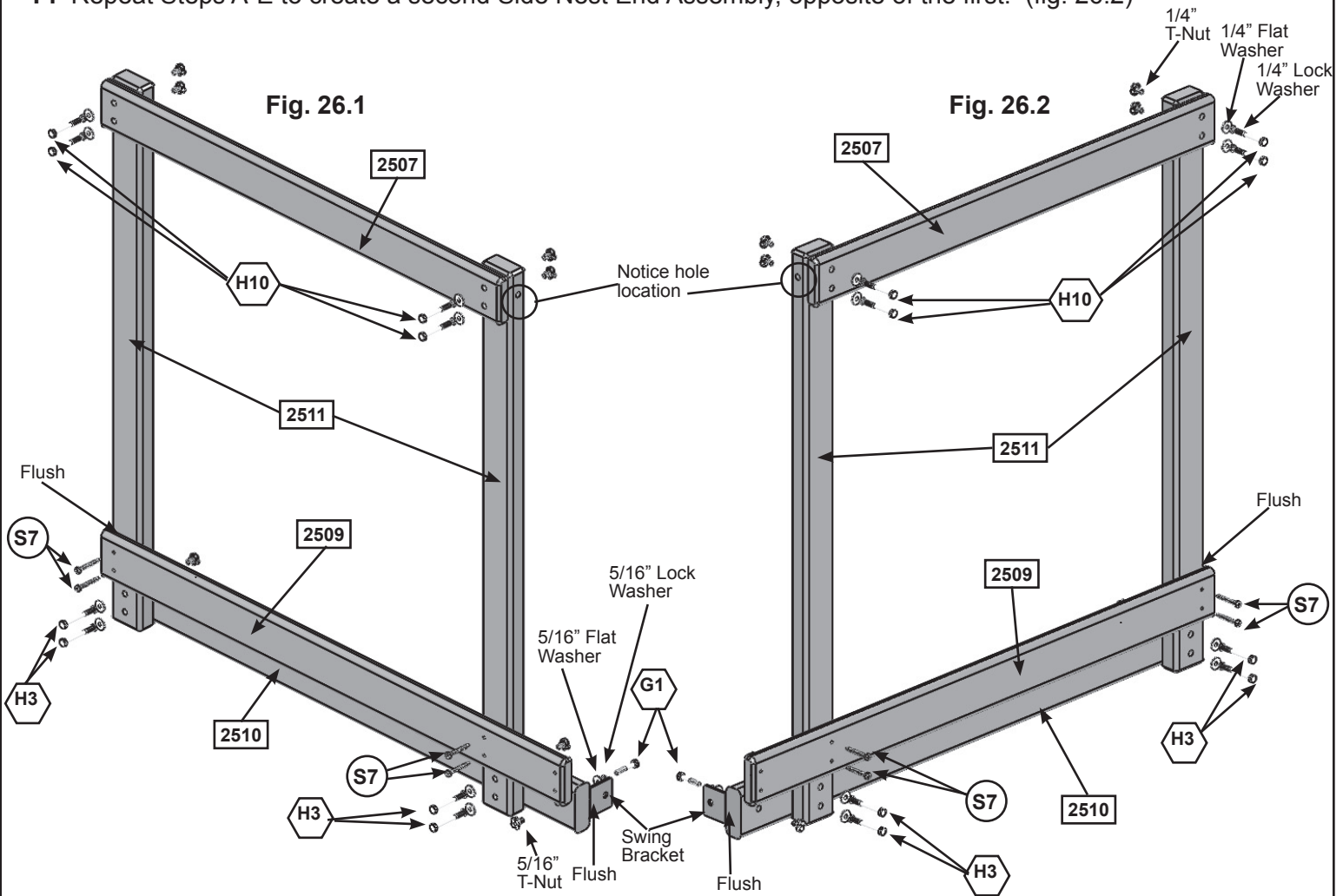
1 x G5 5/16 x 4-1/2" Hex Bolt
(5/16" lock washer, 5/16" flat washer, 5/16" t-nut)

1 x G8 5/16 x 2" Hex Bolt
(5/16" flat washer x 2, 5/16" lock nut)

Step 26: Side Nest Assembly Part 1



- A:** Loosely attach 1 (2507) Side Nest Top to the top of 2 (2511) Nest Posts with 4 (H10) 1/4 x 2-1/4" Hex Bolts (with lock washer, flat washer and t-nut). Notice hole locations at edges of (2511) Nest Posts. (fig. 26.1)
- B:** On the opposite side of (2511) Nest Posts loosely attach 1 (2510) Floor Support to the bottom of both (2511) Nest Posts with the extension on the right side, with 4 (H3) 1/4 x 2-1/2" Hex Bolts (with lock washer, flat washer and t-nut). (fig. 26.1)
- C:** Make sure the assembly is square then tighten all bolts. (fig. 26.1)
- D:** Flush to the top of (2510) Floor Support and outside edge of left (2511) Nest Post attach (2509) Lower Side to both posts with 4 (S7) #12 x 2" Pan Screws. (fig. 26.1)
- E:** Flush to the extended end of (2510) Floor Support attach 1 Swing Bracket using 1 (G1) 5/16 x 1-1/2" Hex Bolt (with lock washer, flat washer and t-nut). Flat edge faces out. (fig. 26.1)
- F:** Repeat Steps A-E to create a second Side Nest End Assembly, opposite of the first. (fig. 26.2)



Wood Parts

- 2 x 2507 Side Nest Top 5/4 x 4 x 33-7/8"
- 4 x 2511 Nest Post 2 x 3 x 37-5/8"
- 2 x 2510 Floor Support 2 x 4 x 38"
- 2 x 2509 Lower Side 5/4 x 4 x 39-1/4"

Hardware

- 8 x S7 #12 x 2" Pan Screw
- 8 x H10 1/4 x 2-1/4" Hex Bolt (1/4" lock washer, 1/4" flat washer, 1/4" t-nut)
- 8 x H3 1/4 x 2-1/2" Hex Bolt (1/4" lock washer, 1/4" flat washer, 1/4" t-nut)
- 2 x G1 5/16 x 1-1/2" Hex Bolt (5/16" lock washer, 5/16" flat washer, 5/16" t-nut)

Other Parts

- 2 x Swing Bracket

Step 26: Side Nest Assembly Part 2

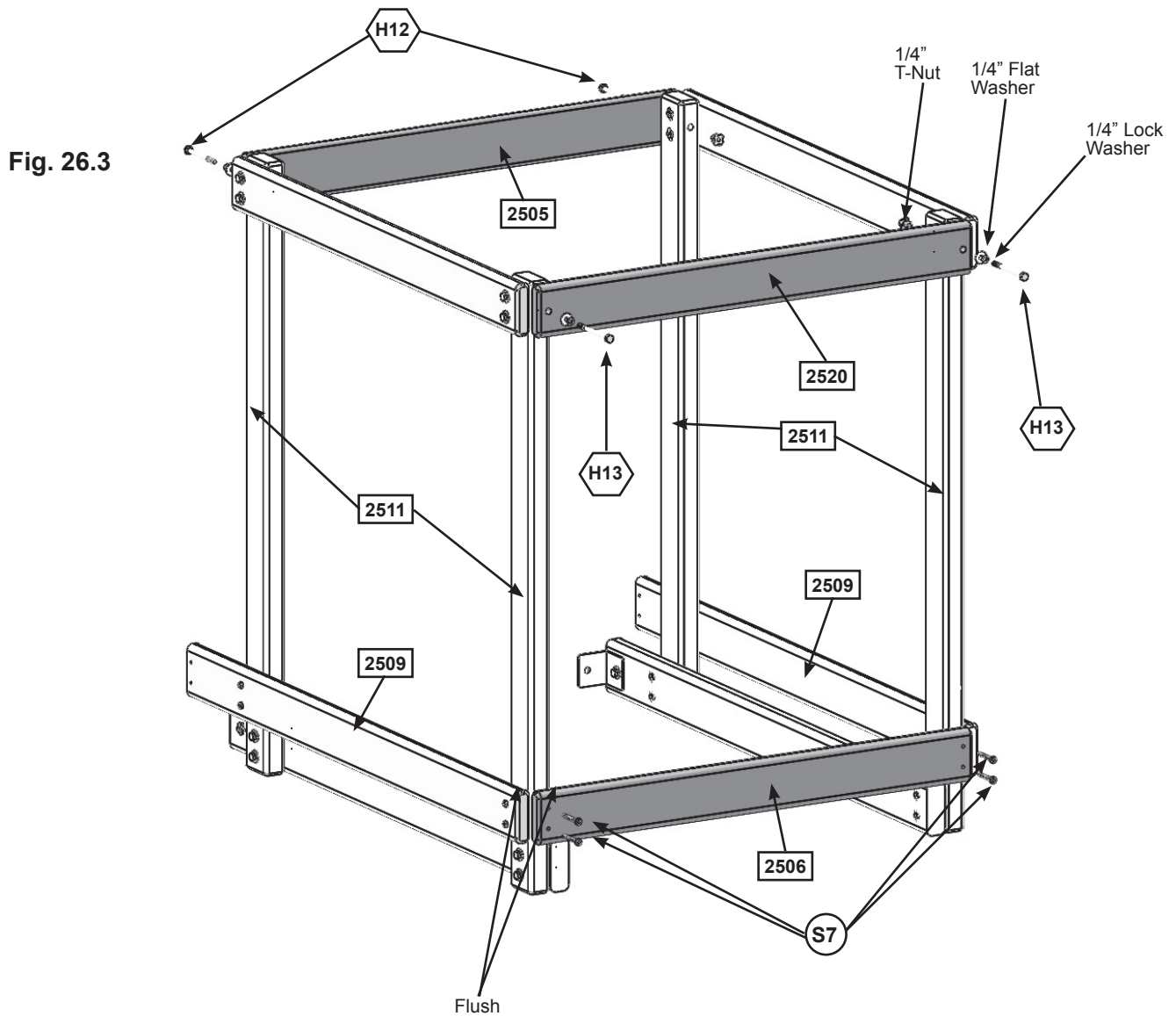


G: Stand both Side Nest End Assemblies with the extensions facing the same way and the Swing Brackets facing in. Loosely attach (2505) Top End Nest to the top of both (2511) Nest Posts on the extended side with 2 (H12) 1/4 x 3" Hex Bolts (with lock washer, flat washer and t-nut). (fig. 26.3)

H: Loosely attach (2520) End Nest Top to the top of both (2511) Nest Posts, on the opposite side with 2 (H13) 1/4 x 3-1/2" Hex Bolts (with lock washer, flat washer and t-nut). (fig. 26.3)

I: Make sure the assembly is square then tighten all bolts. (fig. 26.3)

J: Flush to the top of both (2509) Lower Sides attach (2506) Bottom Nest End to both (2511) Nest Posts with 4 (S7) #12 x 2" Pan Screws. (fig. 26.3)



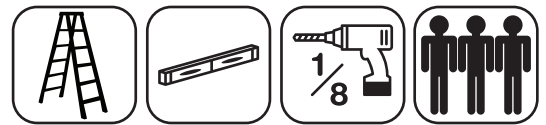
Wood Parts

- 1 x 2505 Top End Nest 1 x 4 x 29-3/4"
- 1 x 2520 End Nest Top 5/4 x 4 x 29-3/4"
- 1 x 2506 Bottom Nest End 5/4 x 4 x 29-3/4"

Hardware

- 4 x S7 #12 x 2" Pan Screw
- 2 x H12 1/4 x 3" Hex Bolt (1/4" lock washer, 1/4" flat washer, 1/4" t-nut)
- 2 x H13 1/4 x 3-1/2" Hex Bolt (1/4" lock washer, 1/4" flat washer, 1/4" t-nut)

Step 27: Attach Side Nest to Fort



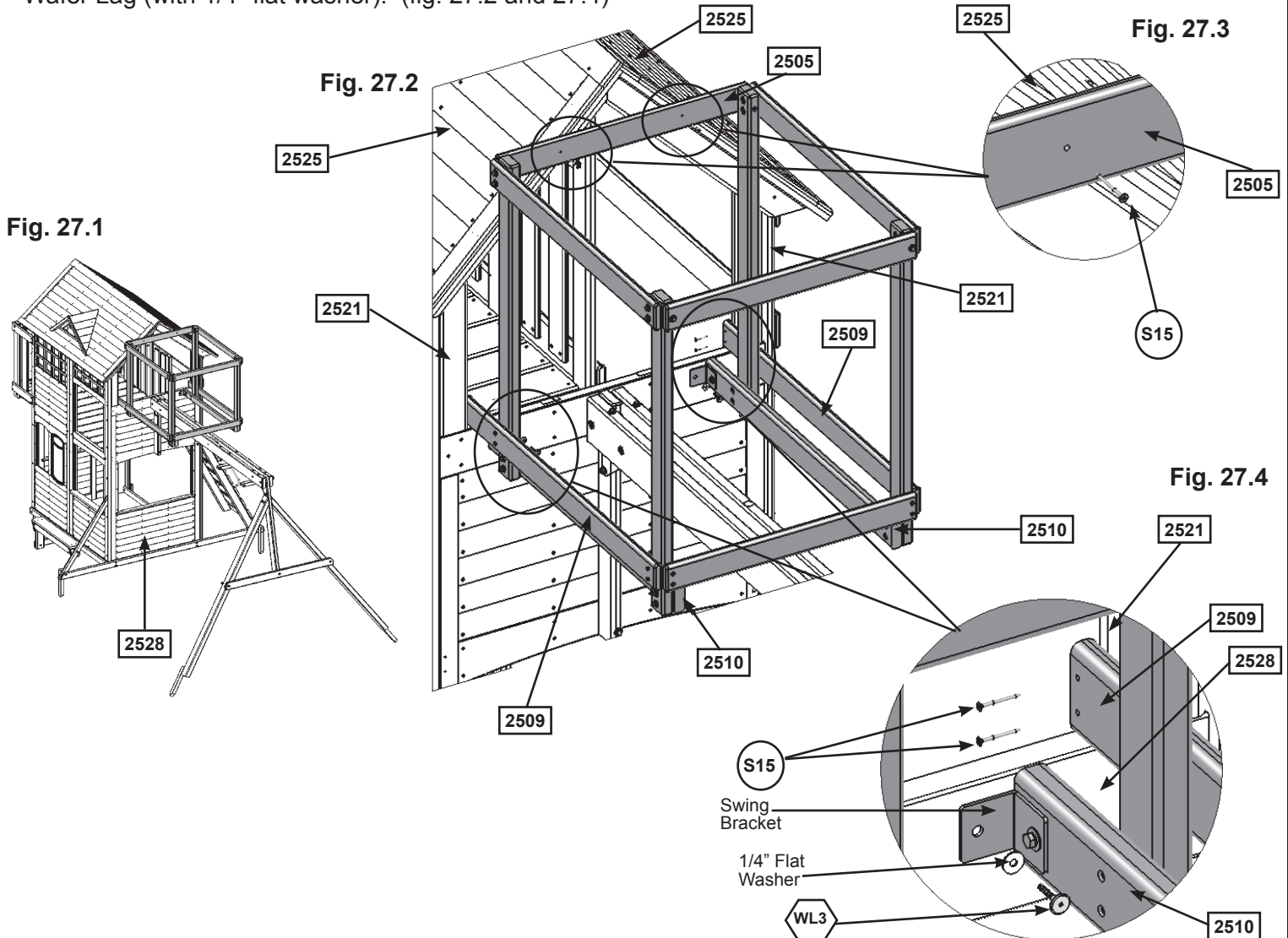
A: Make sure the Swing Assembly is perpendicular to the fort and level . (fig. 27.1)

B: With at least 1 helper lift Side Nest Assembly onto Swing Assembly with the extended end towards the fort. (fig. 27.1 and 27.2)



C: Pre-drill with a 1/8" drill bit in (2505) Top End Nest and into edge of the (2525) Roof Panels as shown in fig. 27.2 and 27.3. Attach with 2 (S15) #8 x 1-3/4" Wood Screws.

D: Make sure both (2509) Lower Sides are flush to the inside edge of (2521) SW Side Post and tight to top of (2528) SW Wall Panel then attach each (2509) Lower Side to the (2521) SW Side Posts with 2 (S15) #8 x 1-3/4" Wood Screws per board. (fig. 27.2 and 27.4)

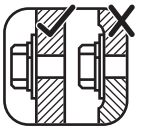
E: Pre-drill with a 1/8" drill bit then attach Swing Brackets to (2528) SW Wall Panel with 1 (WL3) 1/4 x 1-3/8" Wafer Lag (with 1/4" flat washer). (fig. 27.2 and 27.4)



Hardware

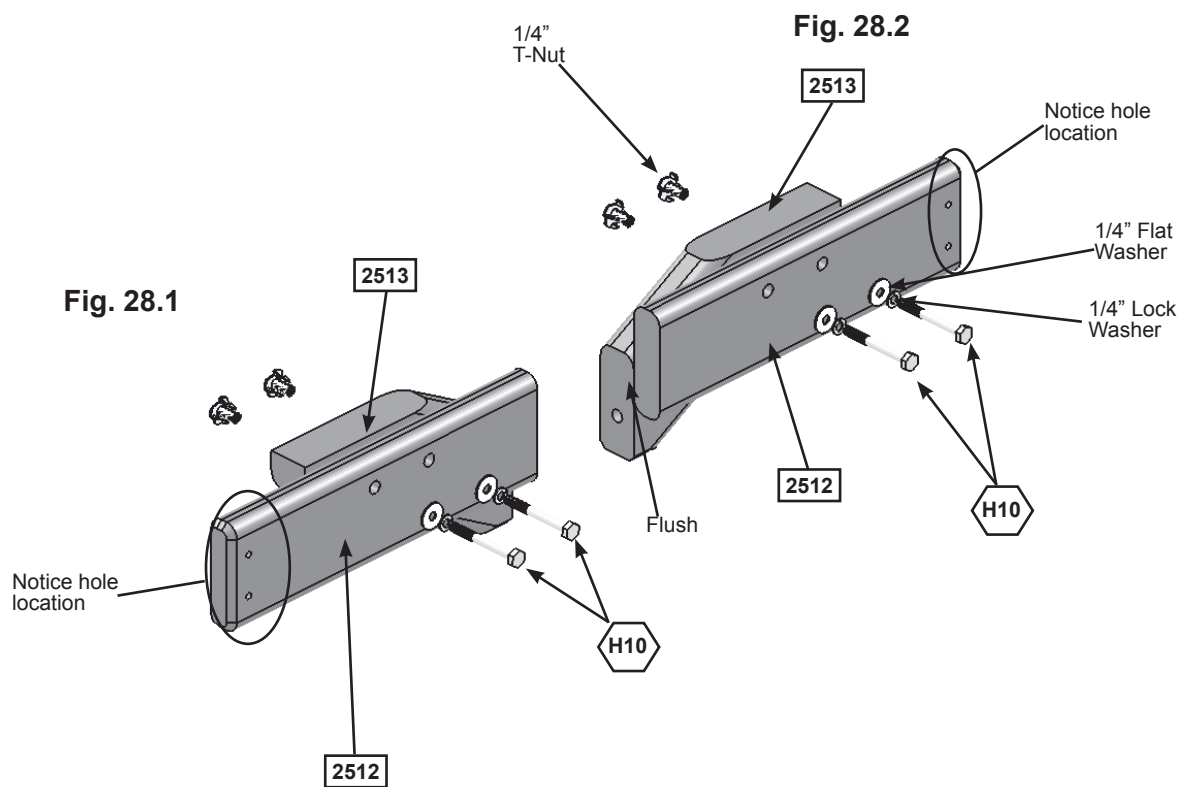
- 6 x  #8 x 1-3/4" Wood Screw
- 2 x  1/4 x 1-3/8" Wafer Lag (1/4" flat washer)

Step 28: Attach Side Nest Gussets Part 1



A: Attach 1 (2512) End Nest Board to 1 (2513) Gusset with 2 (H10) 1/4 x 2-1/4" Hex Bolts (with lock washer, flat washer and t-nut) as shown in fig. 28.1. The edge of (2512) End Nest Board without the pilot holes to be flush to the bottom edge of (2513) Gusset. (fig. 28.1)

B: Repeat Step A to create a second Gusset Assembly, opposite to the first. (fig. 28.2)



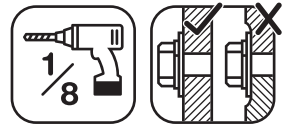
Wood Parts

- 2 x 2512 End Nest Board 5/4 x 4 x 11-1/4"
- 2 x 2513 Gusset 2 x 4 x 9"

Hardware

- 4 x H10 1/4 x 2-1/4" Hex Bolt
(1/4" lock washer, 1/4" flat washer, 1/4" t-nut)

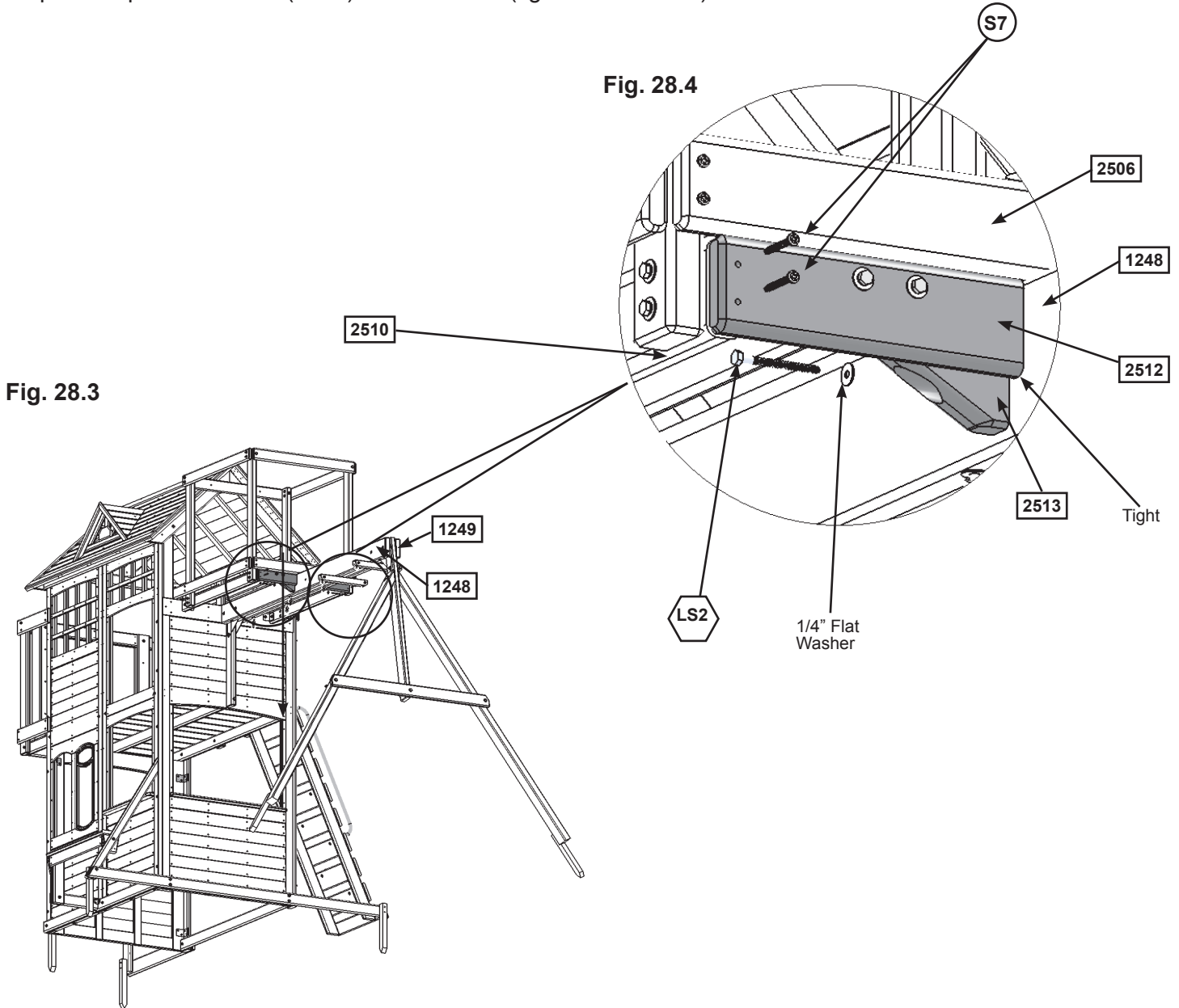
Step 28: Attach Side Nest Gussets Part 2





C: Place 1 Gusset Assembly tight to (1248) Front Beam and bottom of (2506) Bottom Nest End and attach (2512) End Nest Board to (2510) Floor Support with 2 (S7) #12 x 2" Pan Screws. (fig. 28.3 and 28.4)

D: Pre-drill with a 1/8" drill bit then attach (2513) Gusset to (1248) Front Beam with 1 (LS2) 1/4 x 2-1/2" Lag Screw (with 1/4" flat washer) (fig. 28.4)

E: Repeat Steps C and D on (1249) Back Beam. (fig. 28.3 and 28.4)



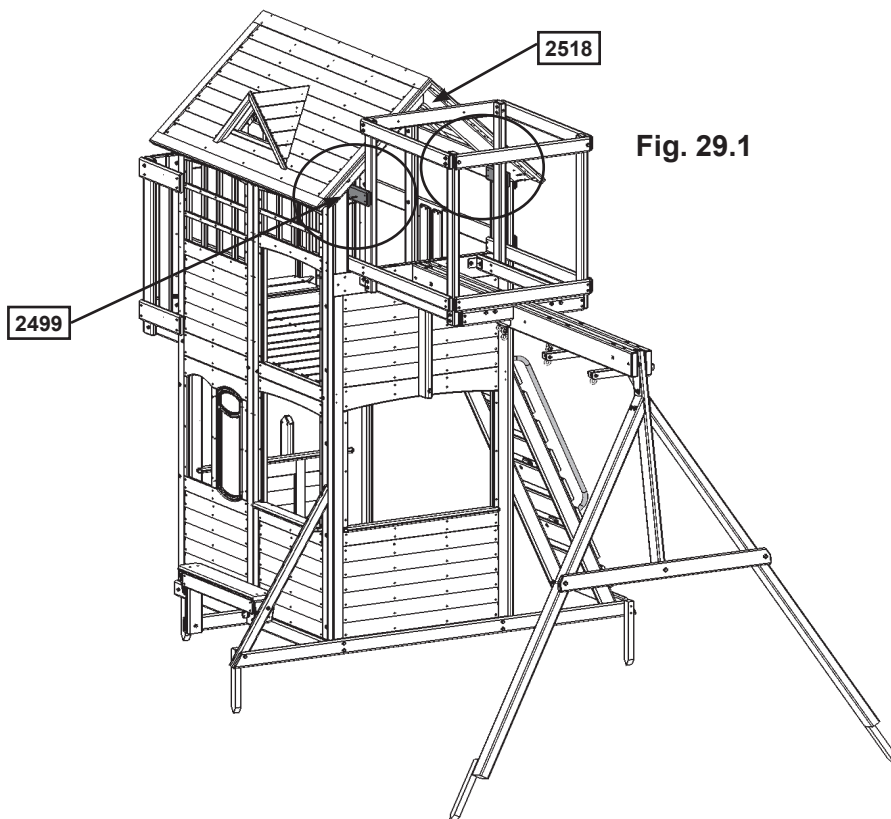
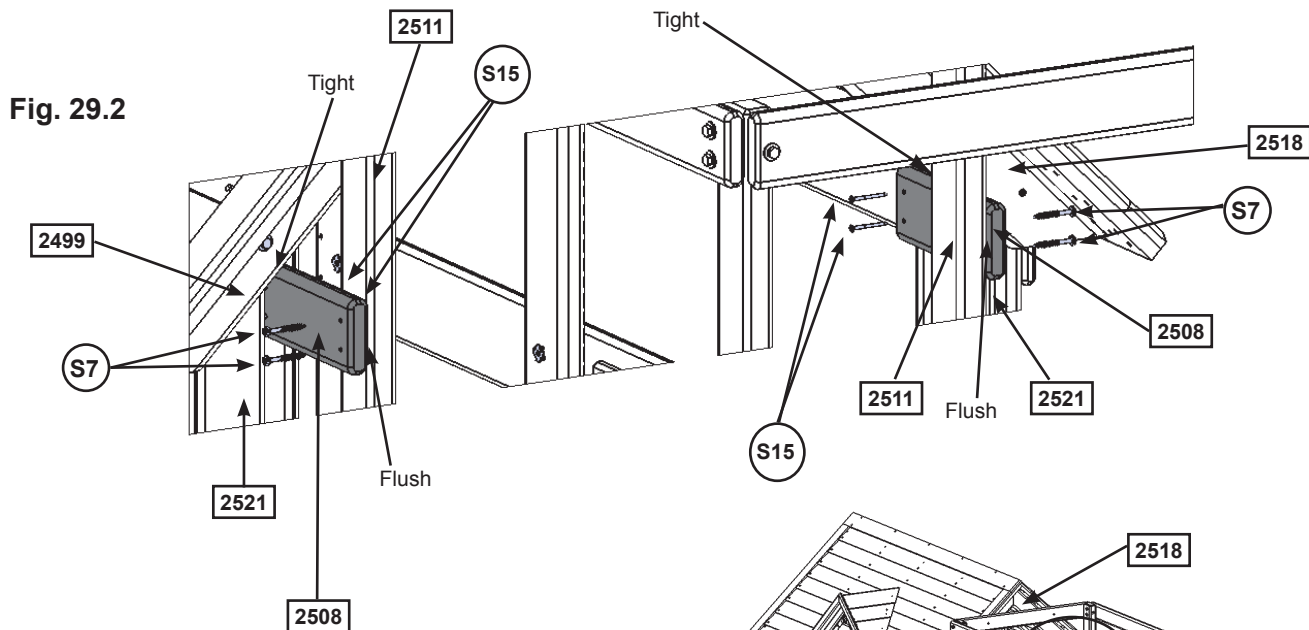
Hardware

- 4 x  #12 x 2" Pan Screw
- 2 x  1/4 x 2-1/2" Lag Screw (1/4" flat washer)

Step 29: Attach Short Rails

A: Place 1 (2508) Short Rail flush to the inside ends of each (2511) Nest Post closest to the fort. The top of the (2508) Short Rails must be tight to the (2499) and (2518) Roof Supports. Attach each (2508) Short Rail to each (2511) Nest Post with 2 (S7) #12 x 2" Pan Screws per board. (fig. 29.1 and 29.2)

B: Attach the (2508) Short Rails to each (2521) SW Side Post with 2 (S15) #8 x 1-3/4" Wood Screws per board. (fig. 29.1 and 29.2)



Wood Parts

2 x **2508** Short Rail 5/4 x 4 x 7-3/4"

Hardware

4 x **S15** #8 x 1-3/4" Wood Screw

4 x **S7** #12 x 2" Pan Screw

Step 30: Attach Side Nest Floor Boards

A: Place 1 (2514) Floor Board on both (2510) Floor Supports tight to (2506) Bottom Nest End then follow with 8 more (2514) Floor Boards. The last board should sit flush to the inside edge of (2528) SW Wall Panel. Make sure boards are evenly spaced then attach with 6 (S20) #8 x 1-3/8" Wood Screws per board. (fig. 30.1 and 30.2)

Fig. 30.2

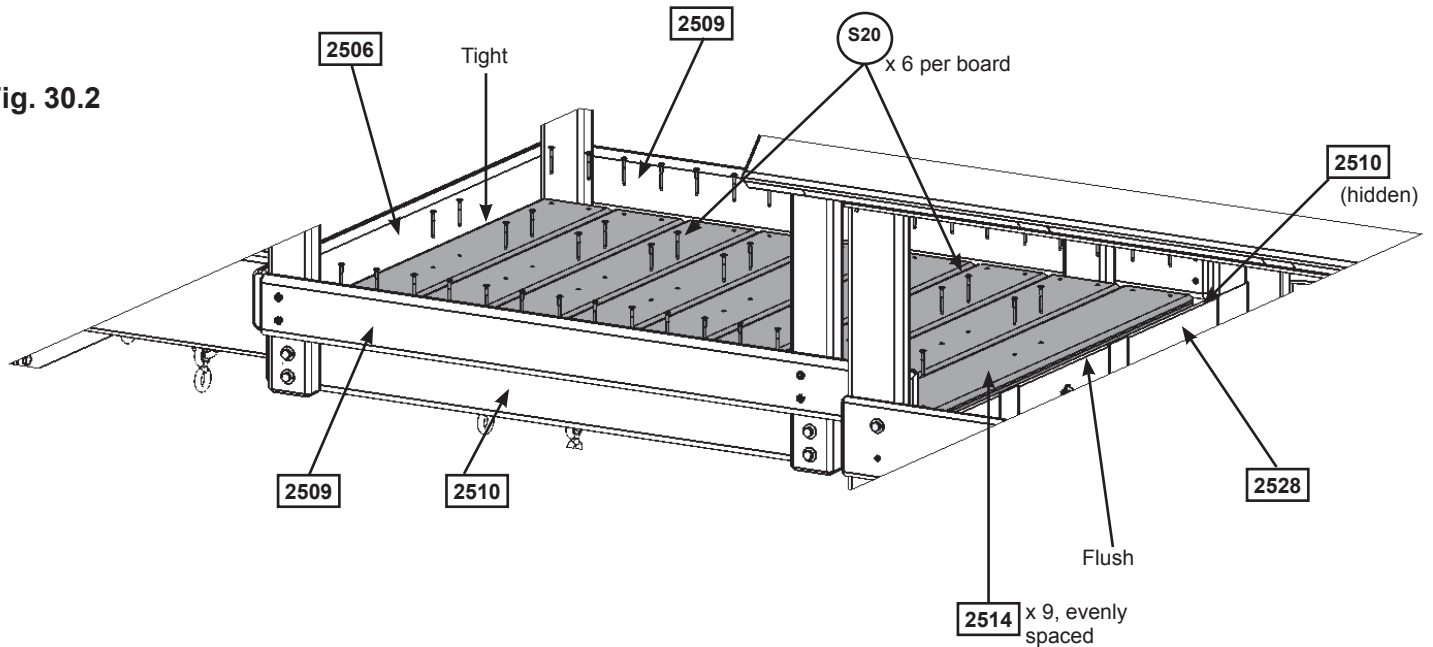
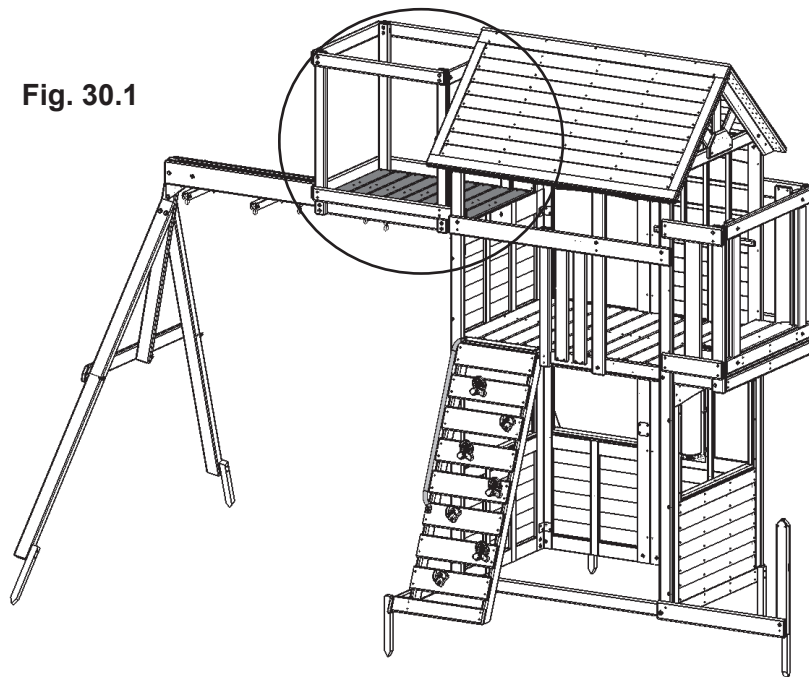


Fig. 30.1



Wood Parts

9 x **2514** Floor Board 1 x 5 x 27"

Hardware

54 x **S20** #8 x 1-3/8" Wood Screw

Step 31: Attach Spindles to Fort Part 1

A: Centre 1 (2517) Spindle between edge of (2509) Lower Side and inside edge of (2511) Nest Post then attach to (2508) Short Rail and (2509) Lower Side with 2 (S15) #8 x 1-3/4" Wood Screws. (fig. 31.1 and 31.2)

B: Repeat Step A for other side of Side Nest. (fig. 31.1 and 31.2)

Fig. 31.1

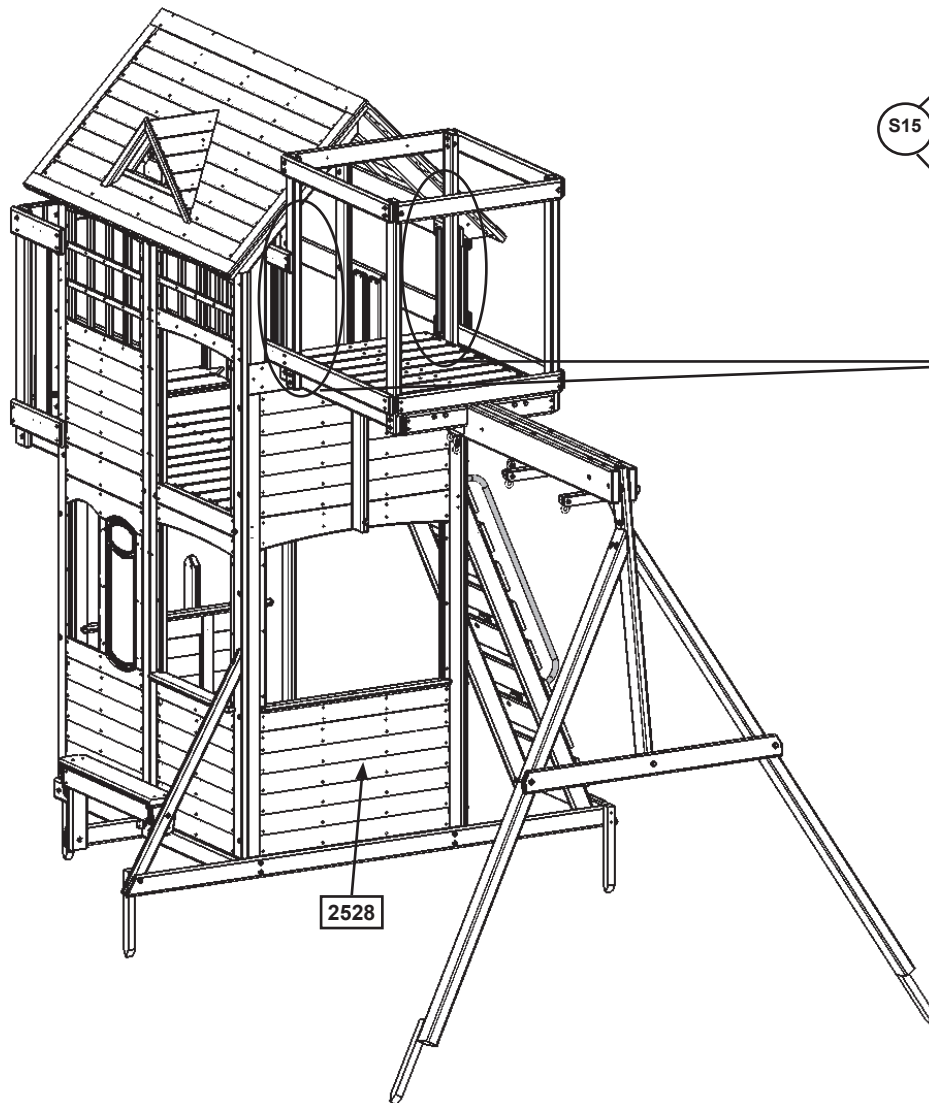
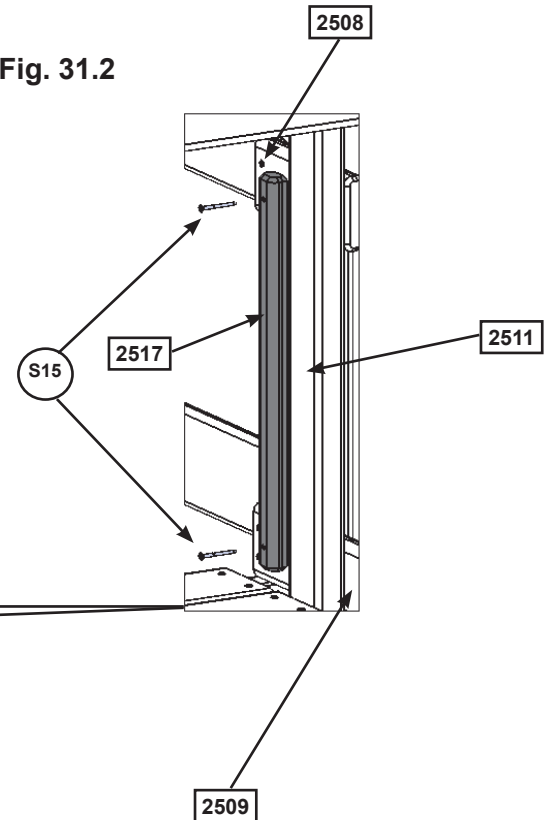


Fig. 31.2



Wood Parts

2 x 2517 Spindle 5/4 x 2 x 17"

Hardware

4 x S15 #8 x 1-3/4" Wood Screw

Step 31: Attach Spindles to Fort Part 2

C: Between (2511) Nest Posts on the front of the assembly evenly space and attach 7 (2515) Long Spindles to (2509) Lower Side and flush to top of (2507) Side Nest Top with 2 (S15) #8 x 1-3/4" Wood Screws per board. Repeat for back of the assembly. (fig. 31.3 and 31.4)

D: Evenly space and attach 6 (2515) Long Spindles to (2506) Bottom Nest End and flush to top of (2520) End Nest Top with 2 (S15) #8 x 1-3/4" Wood Screws per board. (fig. 31.3 and 31.4)

Fig. 31.4

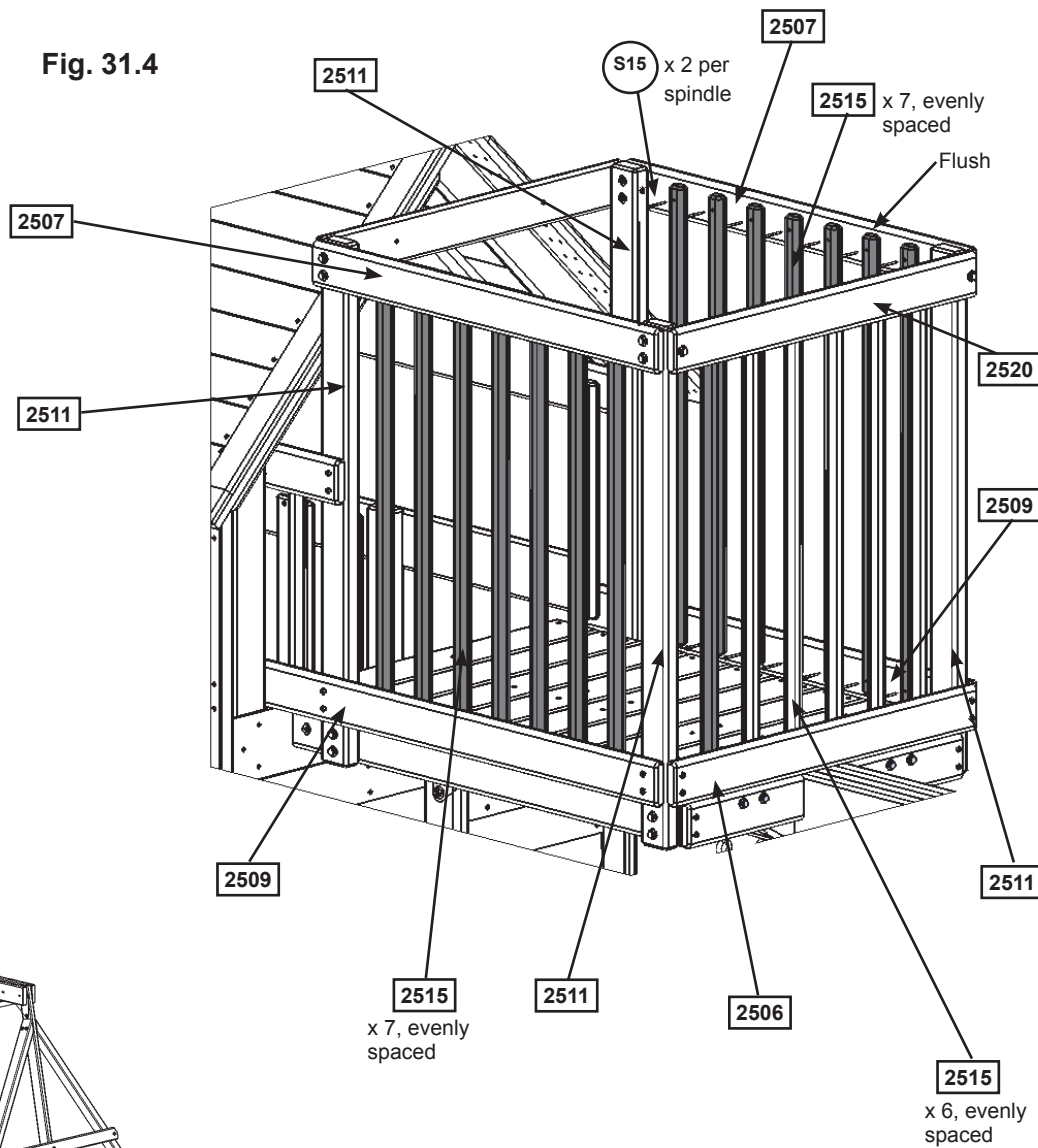
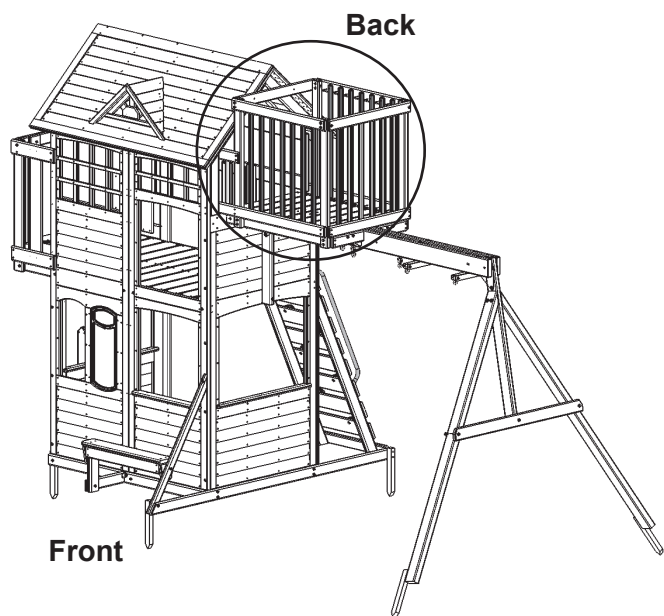


Fig. 31.3



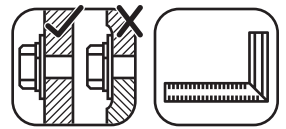
Wood Parts

20 x 2515 Long Spindle 5/4 x 2 x 33"

Hardware

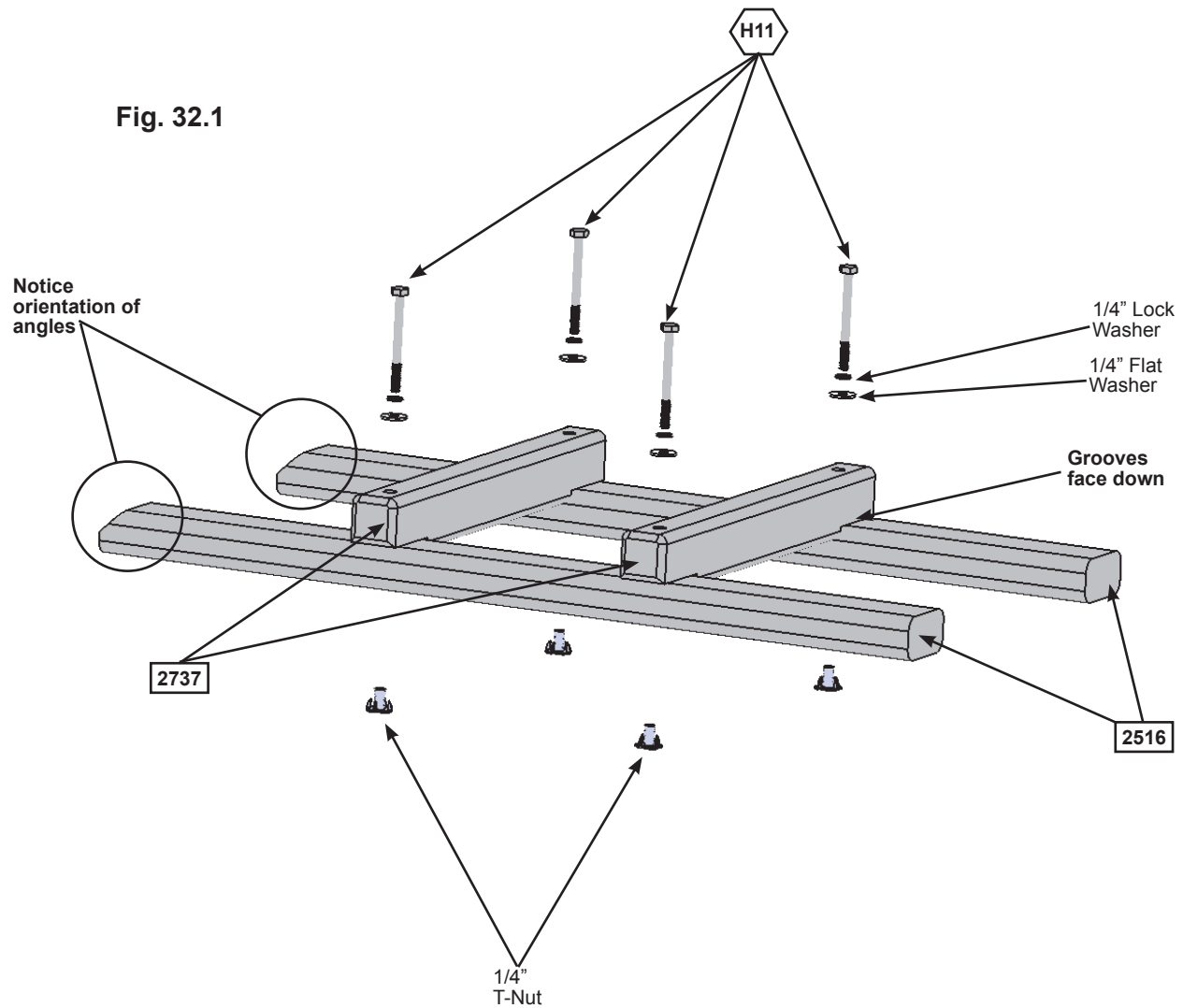
40 x S15 #8 x 1-3/4" Wood Screw

Step 32: Access Ladder Assembly Part 1



A: Place 2 (2737) Ladder Steps on 2 (2516) SW Nest Access Post, grooves facing down. Notice the orientation of the angles on the (2516) SW Nest Access Posts. Loosely attach with 2 (H11) 1/4 x 2-3/4" Hex Bolts (with lock washer, flat washer and t-nut) per post. (fig. 32.1)

B: Make sure assembly is square then tighten the bolts. (fig. 32.1)



Wood Parts

- 2 x 2737 Ladder Step 1-3/8 x 1-3/4 x 13-3/4"
- 2 x 2516 SW Nest Access Post 2 x 3 x 25"

Hardware

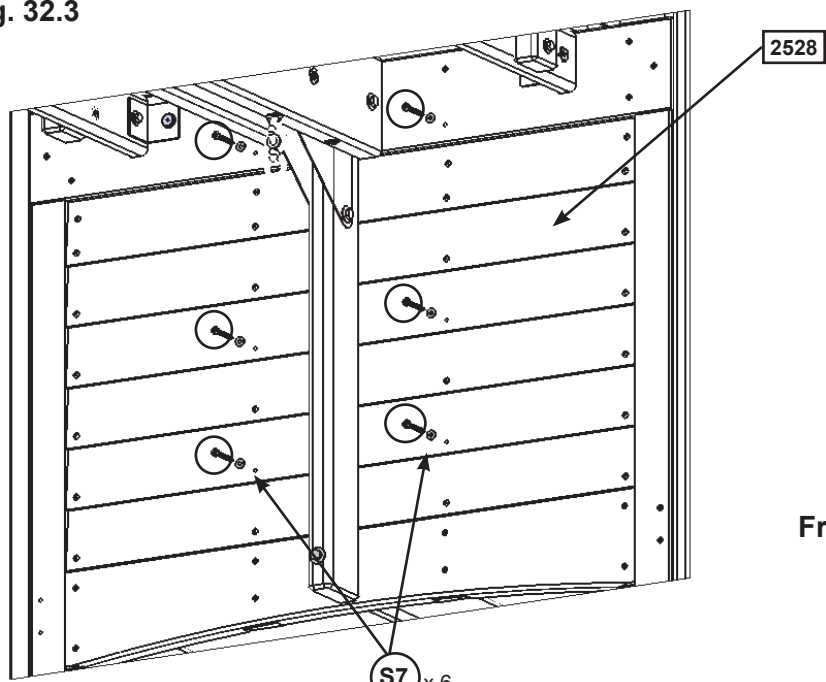
- 4 x H11 1/4 x 2-3/4" Hex Bolt
(1/4" lock washer, 1/4" flat washer, 1/4" t-nut)

Step 32: Access Ladder Assembly Part 2

C: On the outside of the assembly on (2528) SW Wall Panel remove the 6 screws shown in fig. 32.3.

D: On the inside of the assembly place the Access Ladder Assembly tight against the slats on (2528) SW Wall Panel and tight to (2478) Floor. The angled edges of the (2516) SW Nest Access Post face up and out. Attach from outside of the assembly in the same holes the screws were removed from with 6 (S7) #12 x 2" Pan Screws (with 3/16" flat washer). (fig. 32.2, 32.3 and 32.4)

Fig. 32.3



Outside View

(S7) x 6
with
3/16" Flat
Washer

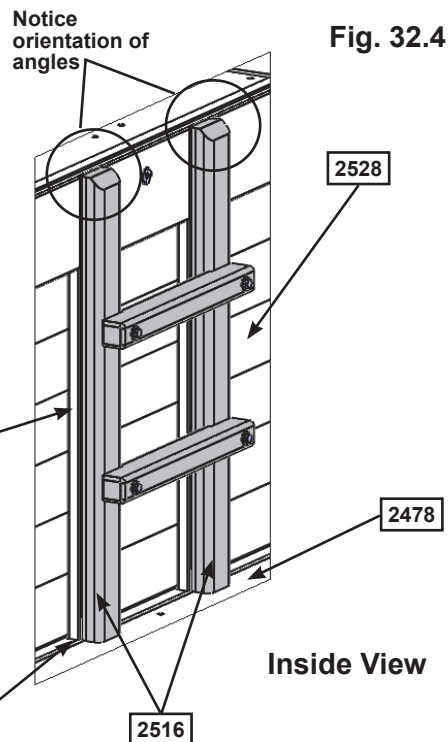
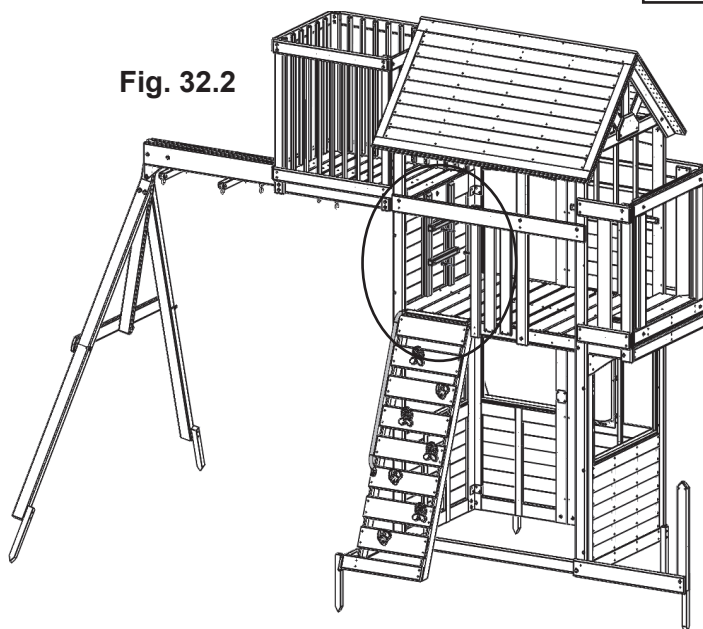


Fig. 32.4

Front

Inside View

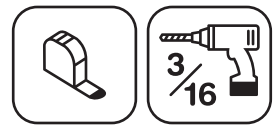
Fig. 32.2



Hardware

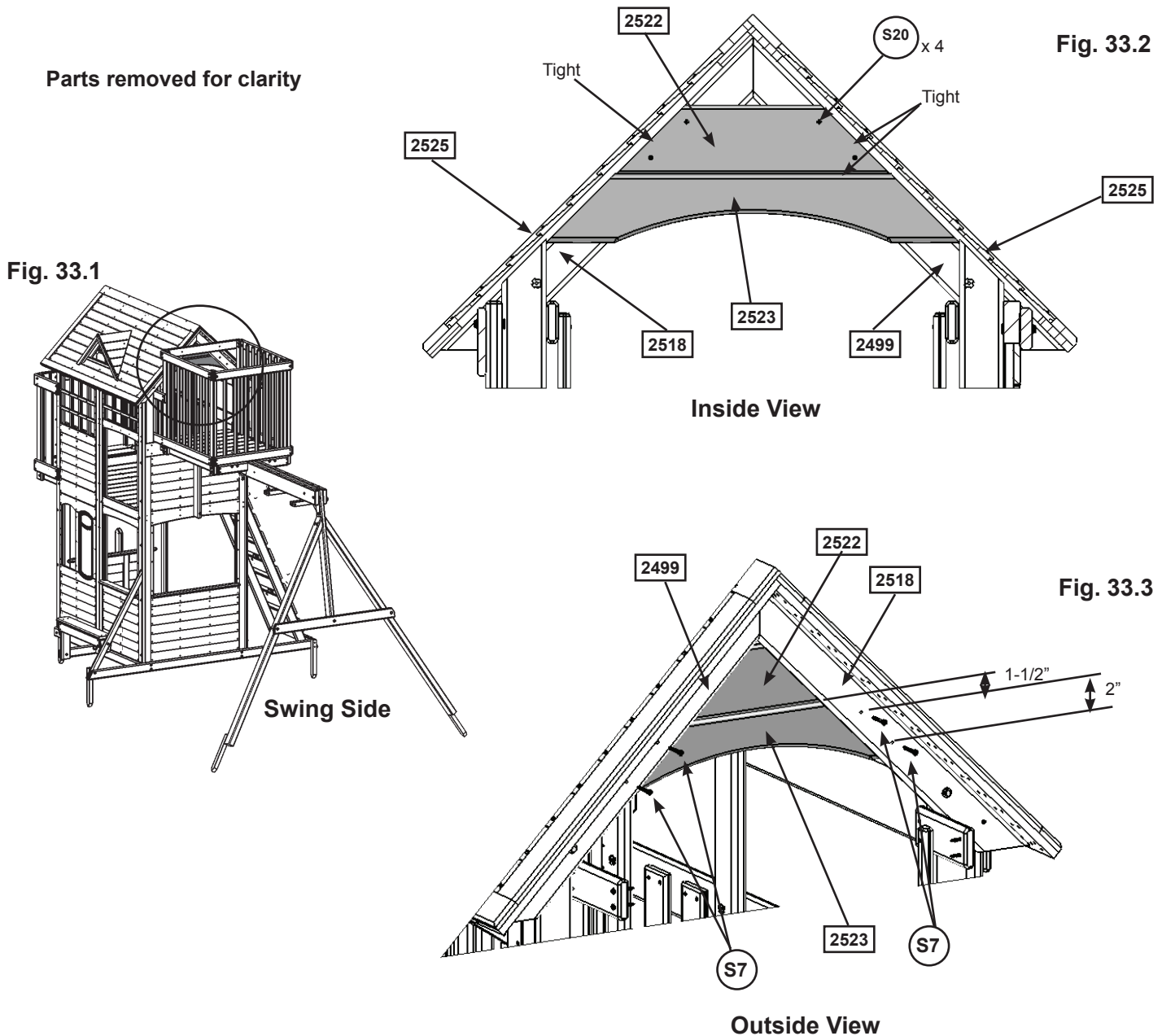
6 x (S7) #12 x 2" Pan Screw (3/16" flat washer)

Step 33: Attach Gable Boards



A: From the inside of the Roof Assembly on the Swing Side, tight to the (2525) Roof Panels, attach (2522) Gable A to (2518) Roof Support Right and (2499) Roof Support Left with 4 (S20) #8 x 1-3/8" Wood Screws. (fig. 33.1 and 33.2)

B: Tight to the bottom of (2522) Gable A place (2523) Lower Gable and pre-drill 2 holes from outside the assembly, 1-1/2" from the top of (2523) Lower Gable, and 2 holes 2" down from the first pilot holes, centred on (2499) and (2518) Roof Supports, with a 3/16" drill bit then attach to roof supports from outside the assembly with 4 (S7) #12 x 2" Pan Screws. (fig. 33.2 and 33.3)



Wood Parts

- 1 x 2522 Gable A 1 x 6 x 21"
- 1 x 2523 Lower Gable 2 x 6 x 31-3/4"

Hardware

- 4 x S7 #12 x 2" Pan Screw
- 4 x S20 #8 x 1-3/8" Wood Screw

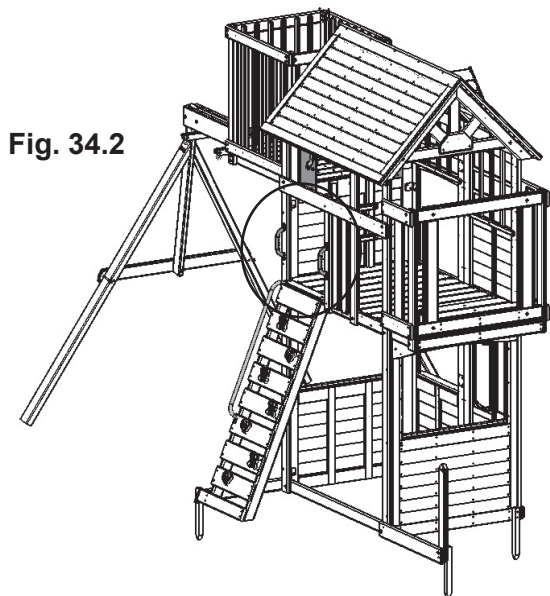
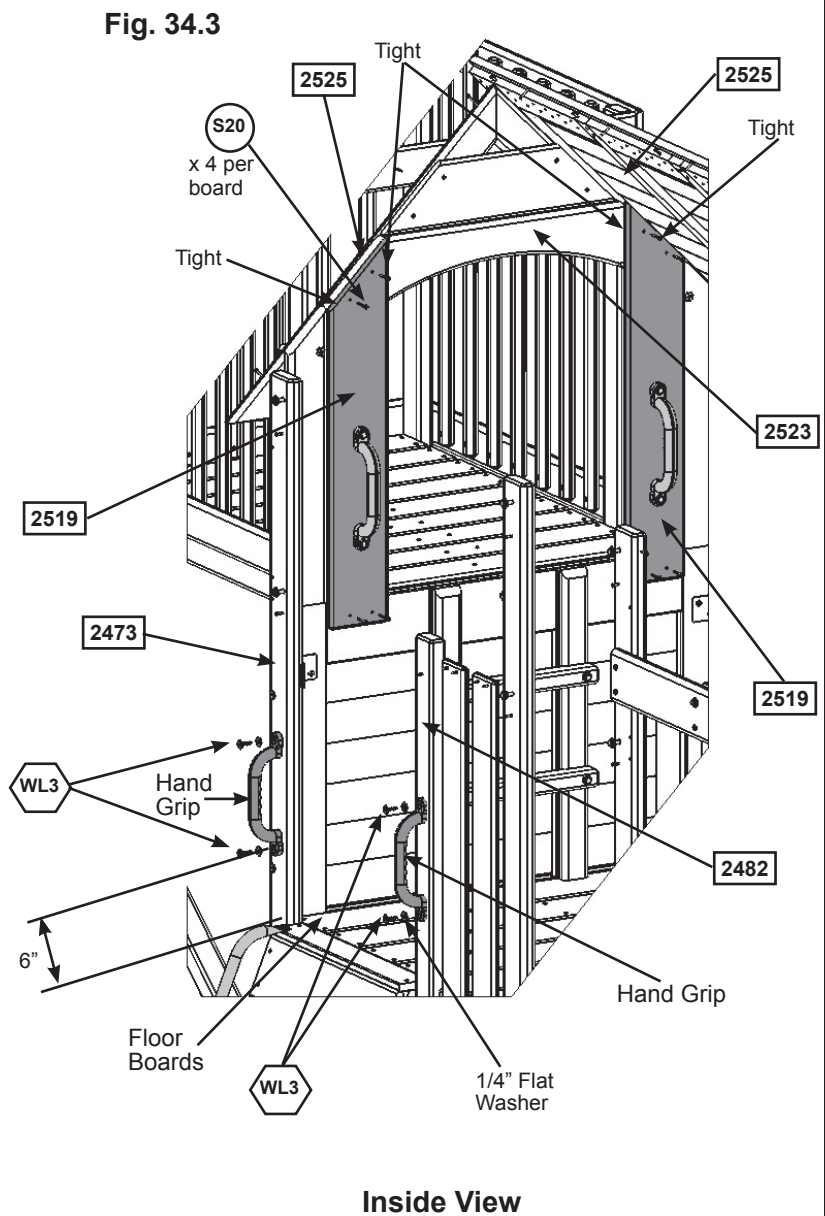
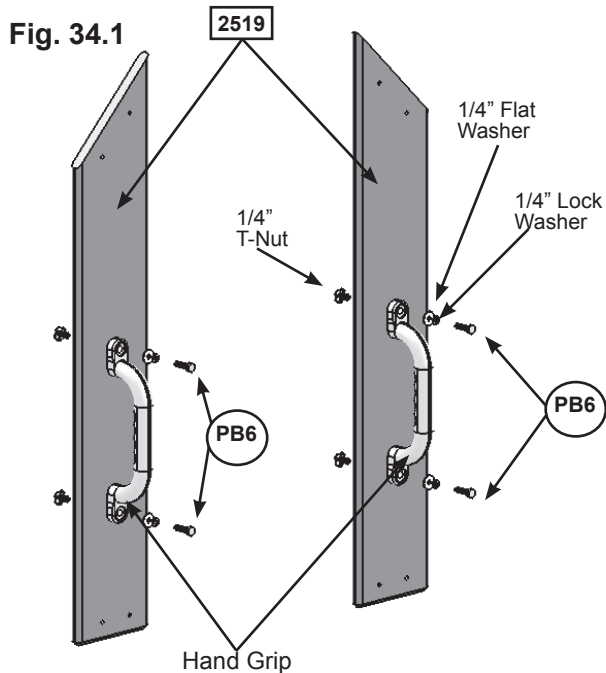
Step 34: Attach Hand Grips



A: Attach 1 Hand Grip to each (2519) SW Nest Wall with 2 (PB6) 1/4 x 1" Pan Bolt (with lock washer, flat washer and t-nut) as shown in fig. 34.1.

B: Tight to the (2525) Roof Boards and tight to each side of (2523) Lower Gable attach both (2519) SW Nest Walls with 4 (S20) #8 x 1-3/8" Wood Screws per board as shown in fig. 34.2 and 34.3.

C: Measure 6" up from the floor boards on both (2473) Post and (2482) Back Wall Support, pre-drill with a 3/16" drill bit then attach 1 Hand Grip per board with 2 (WL3) 1/4 x 1-3/8" Wafer Lags (with flat washer) per Hand Grip. (fig. 34.2 and 34.3)



Wood Parts

2 x 2519 SW Nest Wall 1 x 6 x 31"

Hardware

- 8 x S20 #8 x 1-3/8" Wood Screws
- 4 x PB6 1/4 x 1" Pan Bolt (1/4" lock washer, 1/4" flat washer, 1/4" t-nut)
- 4 x WL3 1/4 x 1-3/8" Wafer Lag (1/4" flat washer)

Other Parts

4 x Hand Grip

Step 35: Attach Telescope



A: On the front outer corner of the Side Nest Assembly pre-drill with a 1/8" drill bit then attach Telescope to (2507) Side Nest Top and (2520) End Nest Top with 2 (S15) #8 x 1-3/4" Wood Screws. (fig. 35.1 and 35.2)

Fig. 35.1

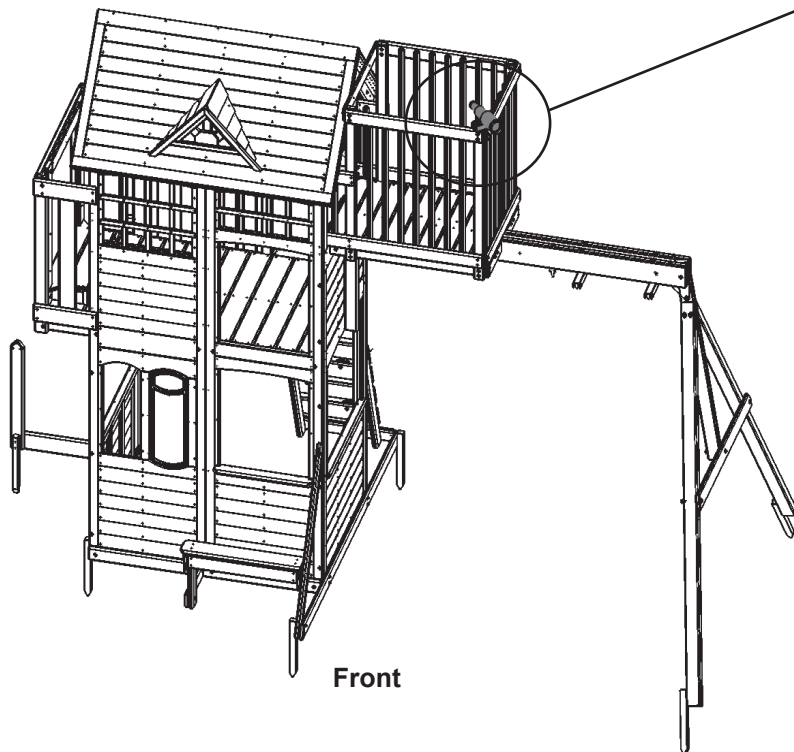
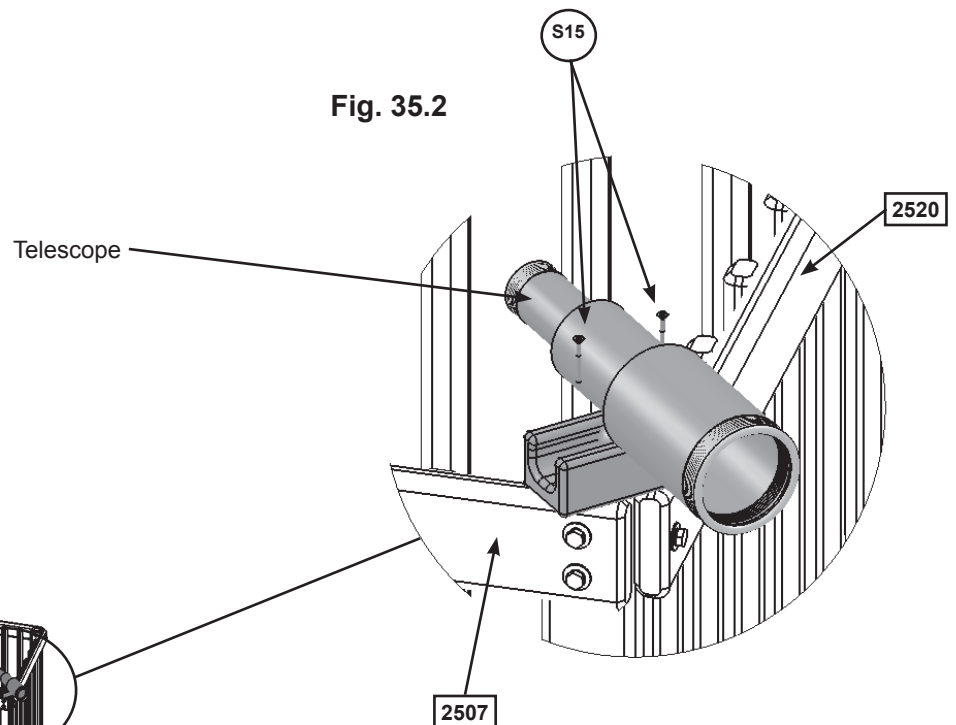



Fig. 35.2



Hardware

2 x  #8 x 1-3/4" Wood Screw

Other Parts

1 x Telescope

Step 36: Slide Section Assemblies Part 1

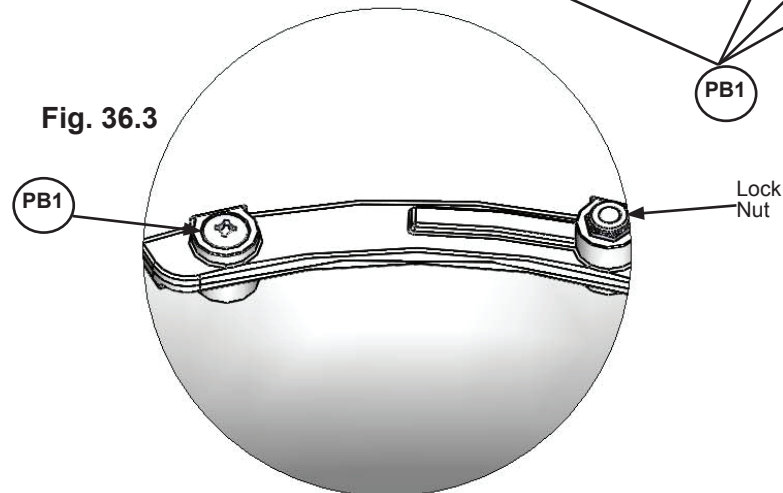
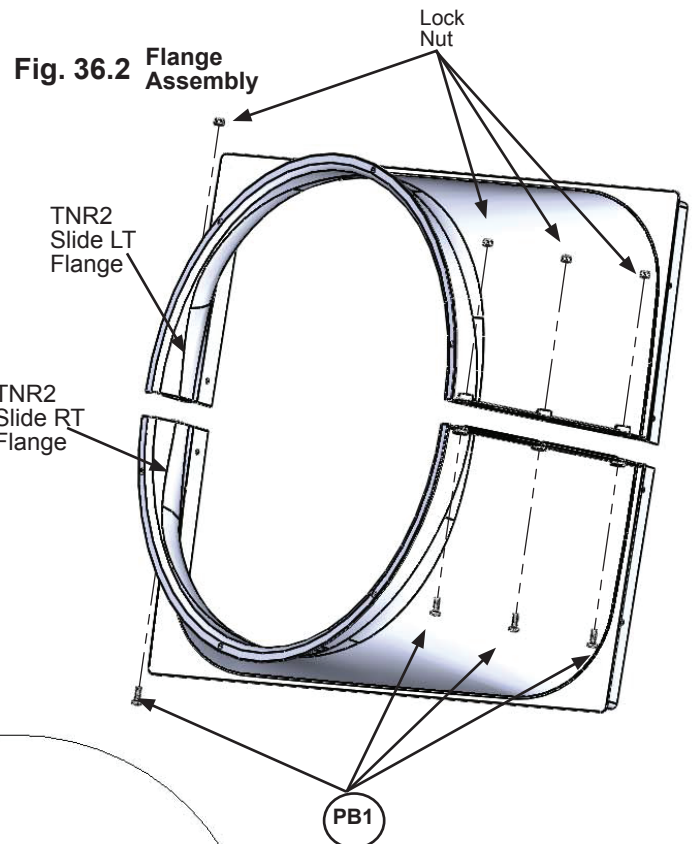
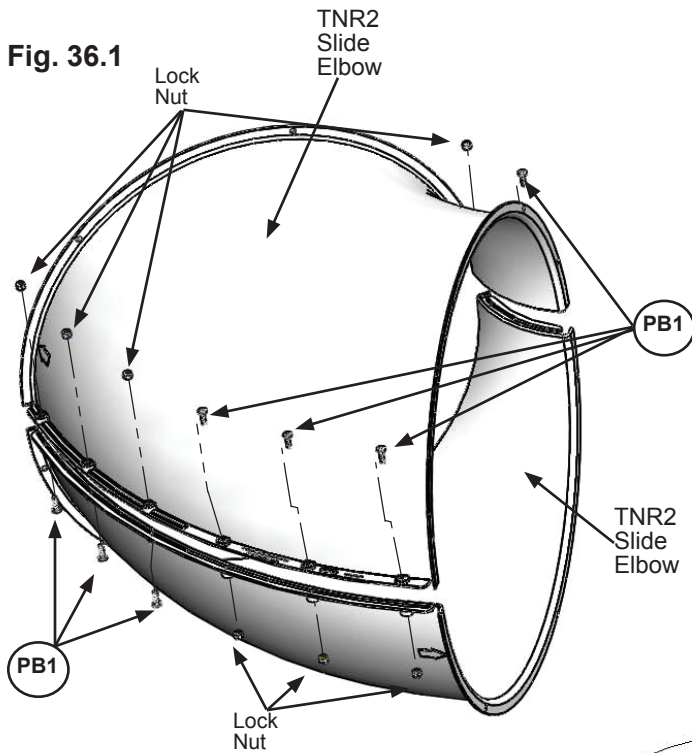


Note: When installing Pan Bolts make sure to look at holes so bolts go through the side with the round recess and the lock nuts go through the side with the hexagonal recess. (fig. 36.3)

A: Fit 2 TNR2 Slide Elbows together and attach with 8 (PB1) 1/4 x 3/4" Pan Bolts (with lock nut) as shown in fig. 36.1. It is very important to attach bolts as indicated.

B: Repeat Step A 3 more times to create 4 Elbow Sections in total.

C: Attach TNR2 Slide RT Flange and TNR2 Slide LT Flange together using 4 (PB1) 1/4 x 3/4" Pan Bolts (with lock nut) as shown in fig. 36.2. This creates the Flange Assembly.



Use a 7/16" open end wrench for nuts

Hardware

36 x 1/4 x 3/4" Pan Bolt
(1/4" lock nut)

Other Parts

1 x TNR2 Slide LT Flange
1 x TNR2 Slide RT Flange
8 x TNR2 Slide Elbow

Step 36: Slide Section Assemblies

Part 2

Note: When installing Pan Bolts make sure to look at holes so bolts go through the side with the round recess and the lock nuts go through the side with the hexagonal recess. (fig. 36.3)

D: Attach TNR2 Slide Exit Top and the remaining TNR2 Slide Elbow together using 8 (PB1) 1/4 x 3/4" Pan Bolts (with lock nut) as shown in fig. 36.4. It is very important to attach bolts as indicated. This creates the Exit Elbow Assembly.

Fig. 36.4

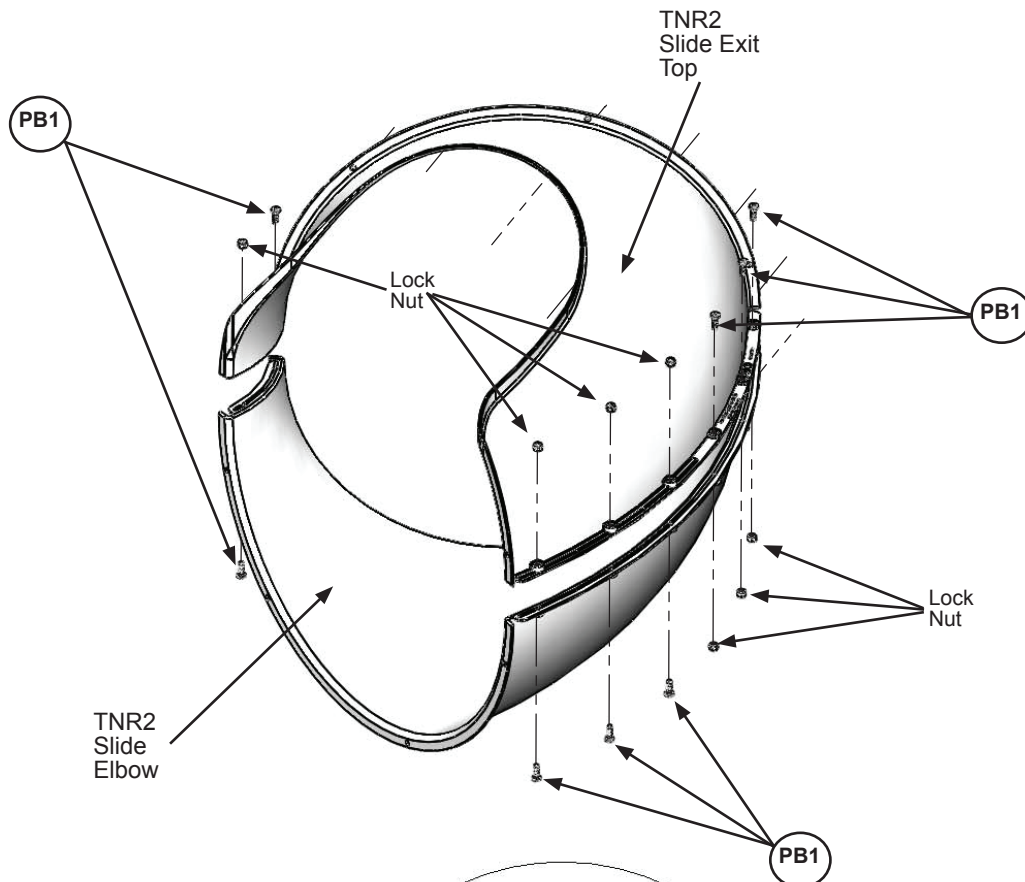
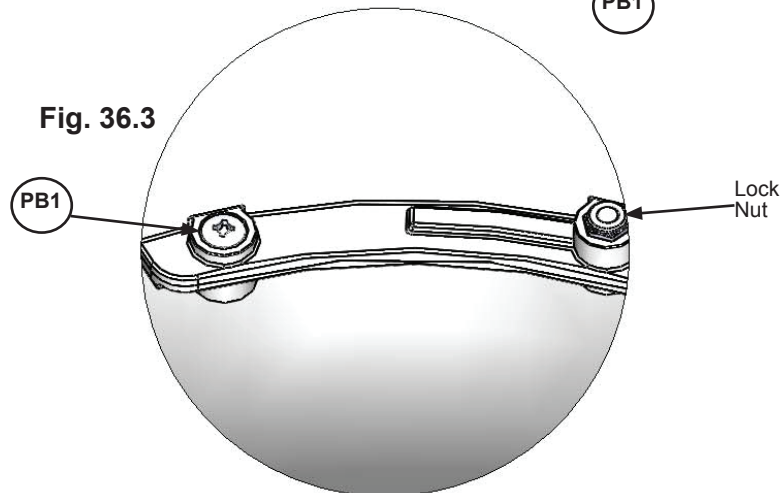


Fig. 36.3



Hardware

8 x (PB1) 1/4 x 3/4" Pan Bolt
(1/4" lock nut)

Other Parts

1 x TNR2 Slide Exit Top
1 x TNR2 Slide Elbow

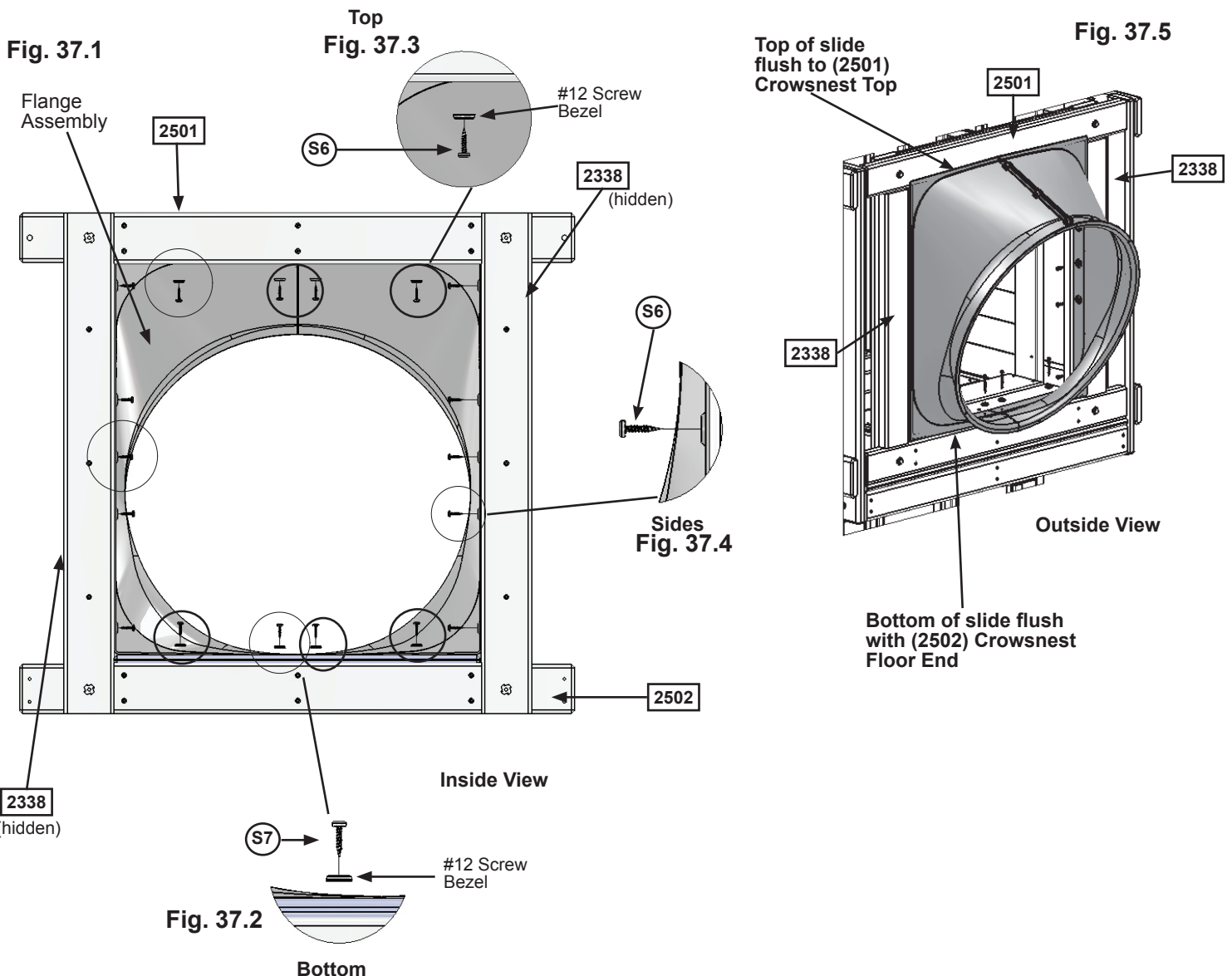
Step 37: Attach Flange Assembly to Fort



A: With a helper place the Flange Assembly flush to the Crowsnest on the fort as shown in fig. 37.1, then pre-drill 1/8" pilot holes in the bottom 4 mounting locations on (2502) Crowsnest Floor End (approximate spots where circles are on figure), making sure the pre-drilled holes are a minimum of 1" deep.

B: Attach Flange Assembly to the Crowsnest into (2502) Crowsnest Floor End using 4 (S7) #12 x 2" Pan Screws (with #12 Screw Bezel) in the pre-drilled holes. (fig. 37.1 and 37.2) Make sure the flat surfaces of the Flange Assembly are flush to the Crowsnest.

C: Attach the Flange Assembly flush to (2501) Crowsnest Top using 4 (S6) #12 x 1" Pan Screws (with #12 Screw Bezel) as shown in fig. 37.1 and 37.3 and to both (2338) Crowsnest Faces using 5 (S6) #12 x 1" Pan Screws per board. (fig. 37.1, 37.4 and 37.5)



Hardware

- 14 x **S6** #12 x 1" Pan Screw
- 4 x **S7** #12 x 2" Pan Screw
- 8 x #12 Screw Bezel

Step 38: Attach Elbow Assembly to Flange Assembly Part 1



Note: When installing Pan Bolts make sure to look at holes so bolts go through the side with the round recess and the lock nuts go through the side with the hexagonal recess. Keep all bolts loose until further step.

A: Fit one of the Elbow Assemblies to the Flange Assembly by lining up the arrows on each assembly. (fig. 38.2 and 38.3)

B: Attach 1 TNR2 Slide Clamp Ring to the top of the joined Assemblies using 3 (PB1) 1/4 x 3/4" Pan Bolts (with lock nut), making sure to match the arrows up with the end of the clamp ring (where a seam will be) as shown in fig. 38.2 and 38.3.

Use Quadrex Driver as a guide pin for each hole before inserting bolt. (fig. 38.3)

Quadrex Driver



Use special driver provided in locations where the curve of the elbow are difficult to reach with a standard driver.

Fig. 38.1

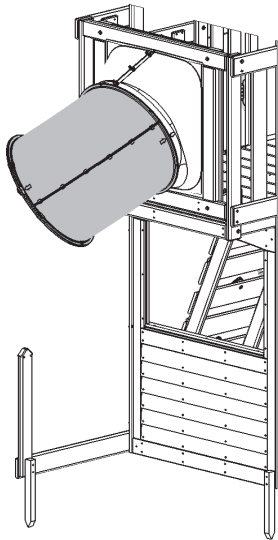
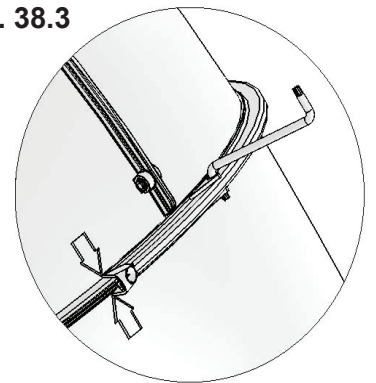


Fig. 38.4



Do not install bolt in Clamp Ring ends until Step 38D

Fig. 38.3



Align each elbow using the molded arrows with the seam of the clamp ring.

Flange Assembly

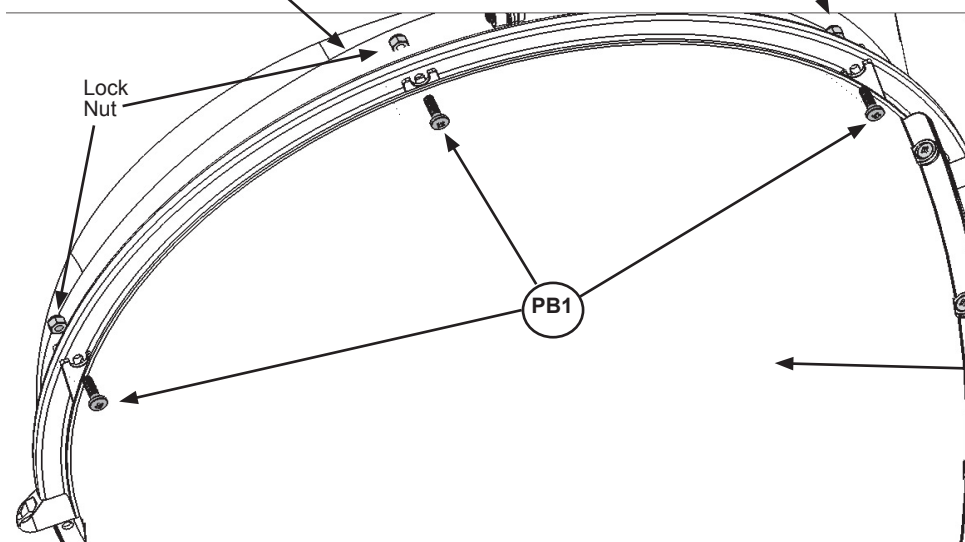
Fig. 38.2
Top Slide Bolt Holes

Lock Nut

Lock Nut

PB1

Elbow Assembly



Hardware

3 x (PB1) 1/4 x 3/4" Pan Bolt
(1/4" lock nut)

Other Parts

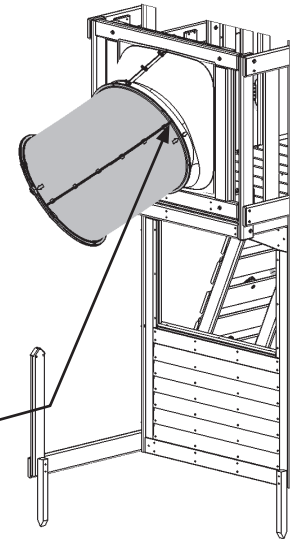
1 x Quadrex Driver
1 x TNR2 Slide Clamp Ring

Step 38: Attach Elbow Assembly to Flange Assembly Part 2



Note: When installing Pan Bolts make sure to look at holes so bolts go through the side with the round recess and the lock nuts go through the side with the hexagonal recess. Keep all bolts loose until further step.

Fig. 38.5



C: Attach 1 TNR2 Slide Clamp Ring to the bottom of the joined Assemblies using 2 (PB1) 1/4 x 3/4" Pan Bolts (with lock nut) on one side and 1 (PB1) 1/4 x 3/4" Pan Bolt (with lock nut) in the other side, making sure to match the arrows up with the end of the clamp ring (where a seam will be) as shown in fig. 38.5, 38.6 and 38.7.

D: Connect the 2 TNR2 Slide Clamp Rings together in 2 spots using 1 (PB1) 1/4 x 3/4" Pan Bolt (with lock nut) per hole. Make sure seams and arrows line up and then tighten all bolts. (fig. 38.8 and 38.9).

Fig. 38.6

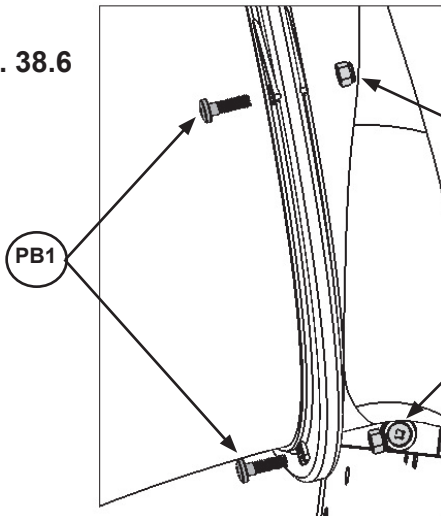
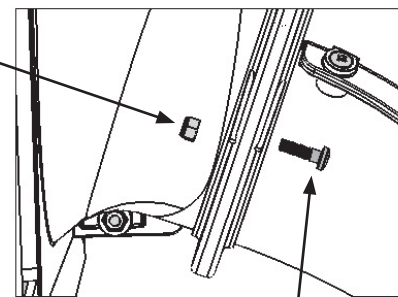


Fig. 38.7 (Side not shown)



Bottom Slide Bolt Holes

Fig. 38.8

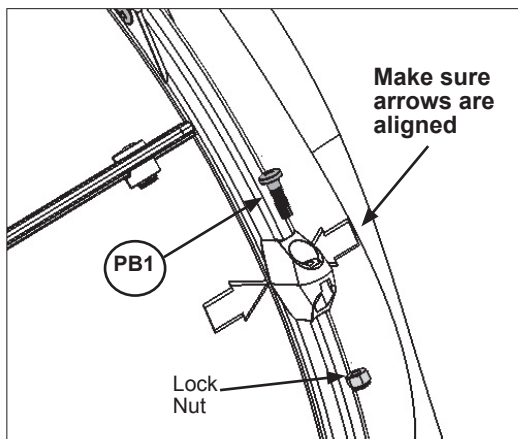
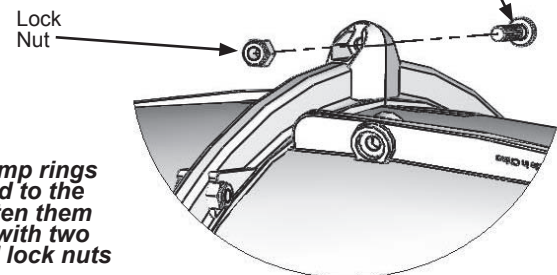


Fig. 38.9



After the clamp rings are attached to the elbows, fasten them end to end with two pan bolts and lock nuts

Hardware

5 x (PB1) 1/4 x 3/4" Pan Bolt
(1/4" lock nut)

Other Parts

1 x TNR2 Slide Clamp Ring

Step 39: Attach Elbow Assembly to Elbow Assembly Part 1



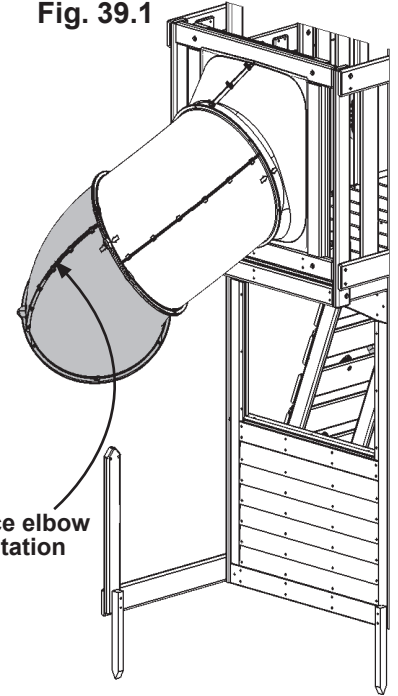
Note: When installing Pan Bolts make sure to look at holes so bolts go through the side with the round recess and the lock nuts go through the side with the hexagonal recess. Keep all bolts loose until further step.

A: Fit a second Elbow Assembly to the first Elbow Assembly by lining up the arrows on each assembly. Notice the elbow orientation. (fig. 39.1)

B: Attach 1 TNR2 Slide Clamp Ring to the top of the joined Assemblies using 3 (PB1) 1/4 x 3/4" Pan Bolts (with lock nut), making sure to match the arrows up with the end of the clamp ring (where a seam will be) as shown in fig. 39.2 and 39.3.

Use Quadrex Driver as a guide pin for each hole before inserting bolt.

Fig. 39.1



Notice elbow orientation

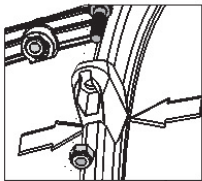


Do not install bolt in Clamp Ring ends until Step 39D

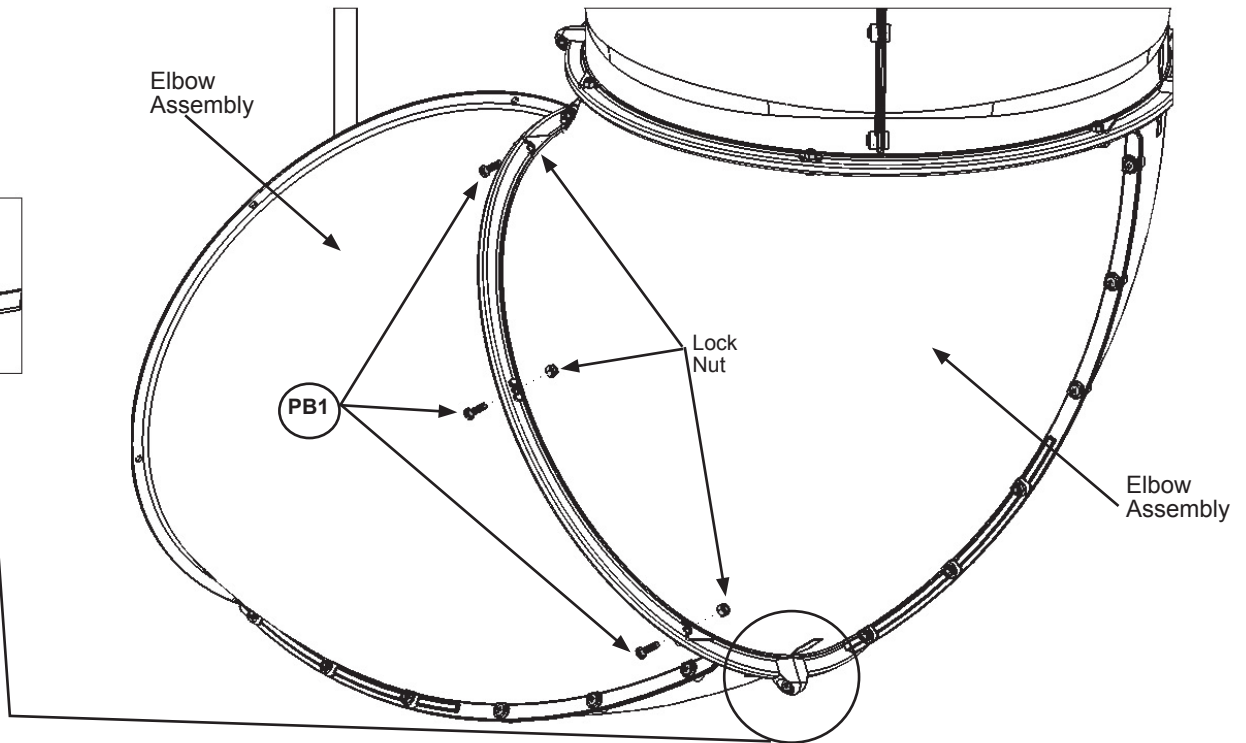
Fig. 39.2

Top Slide Bolt Holes

Fig. 39.3



Make sure arrows are aligned



Hardware

3 x (PB1) 1/4 x 3/4" Pan Bolt (1/4" lock nut)

Other Parts

1 x TNR2 Slide Clamp Ring

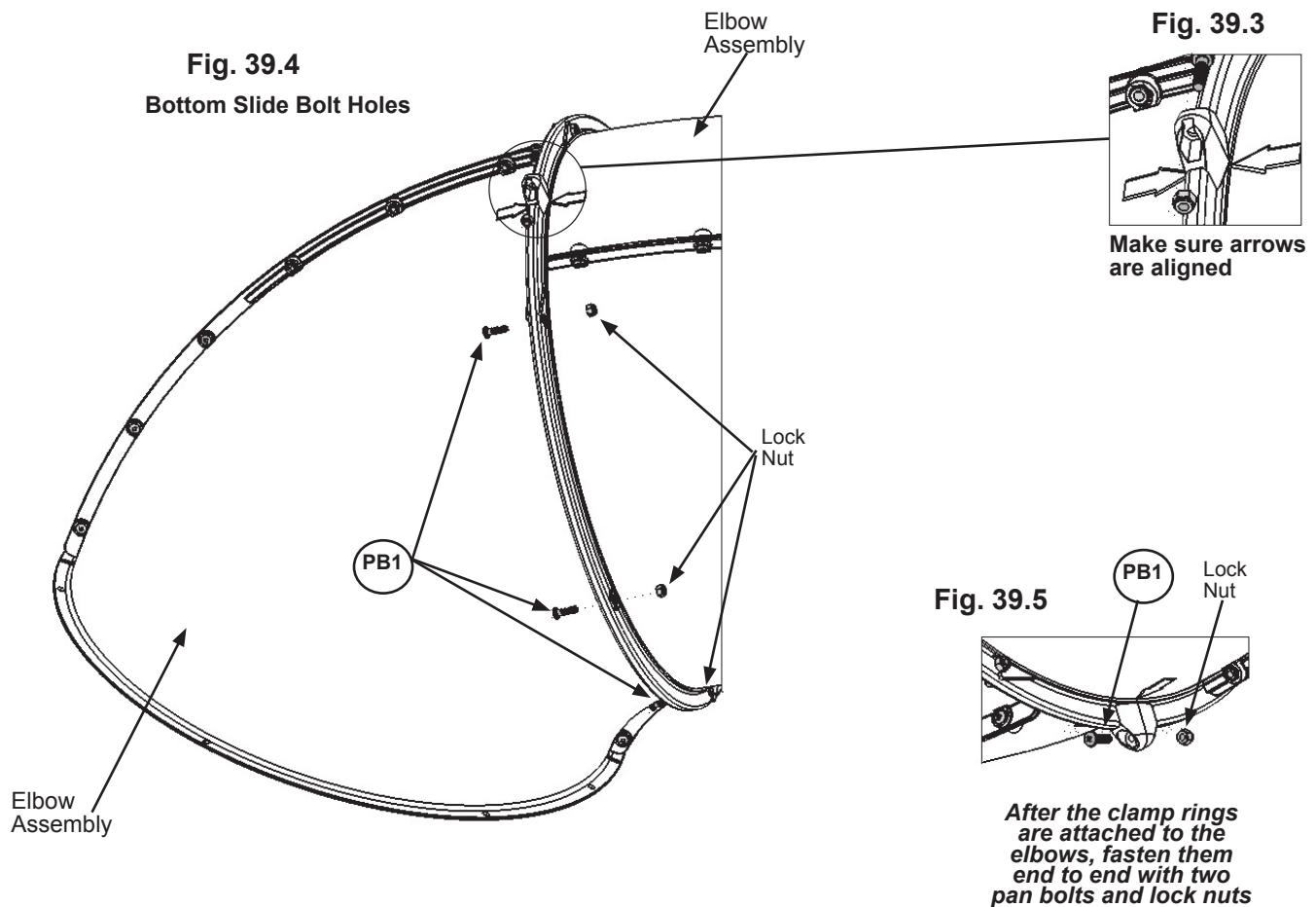
Step 39: Attach Elbow Assembly to Elbow Assembly Part 2




Note: When installing Pan Bolts make sure to look at holes so bolts go through the side with the round recess and the lock nuts go through the side with the hexagonal recess. Keep all bolts loose until further step.

C: Attach 1 TNR2 Slide Clamp Ring to the bottom of the joined Assemblies using 3 (PB1) 1/4 x 3/4" Pan Bolts (with lock nut), making sure to match the arrows up with the end of the clamp ring (where a seam will be) as shown in fig. 39.3 and 39.4.

D: Connect the 2 TNR2 Slide Clamp Rings together in 2 spots using 1 (PB1) 1/4 x 3/4" Pan Bolt (with lock nut) per hole. Make sure seams and arrows line up and then tighten all bolts. (fig. 39.3 and 39.5).



Hardware

5 x  1/4 x 3/4" Pan Bolt
(1/4" lock nut)

Other Parts

1 x TNR2 Slide Clamp Ring

Step 40: Attach Elbow Assemblies and TNR2 Slide Support



Note: When installing Pan Bolts make sure to look at holes so bolts go through the side with the round recess and the lock nuts go through the side with the hexagonal recess. Keep all bolts loose until further step.

A: Attach the two remaining Elbow Assemblies as instructed in Steps 38 and 39.

B: On the fourth Elbow Assembly attached remove the pan bolt and nut which is facing the fort (installed in Step 36). (fig. 40.1) **The bolt will no longer be needed, but keep the lock nut.**

C: Loosely attach TNR2 Slide Support (at the slightly bent end) to the Clamp Ring using 1 (PB6) 1/4 x 1" Pan Bolt (with flat washer and the previously removed lock nut). (fig. 40.2)

D: Rotate TNR2 Slide Support and attach to (2529) SL Side Panel using 1 (S6) #12 x 1" Pan Screw as shown in fig. 40.2.

E: Fully tighten screw and bolt.

Fig. 40.1

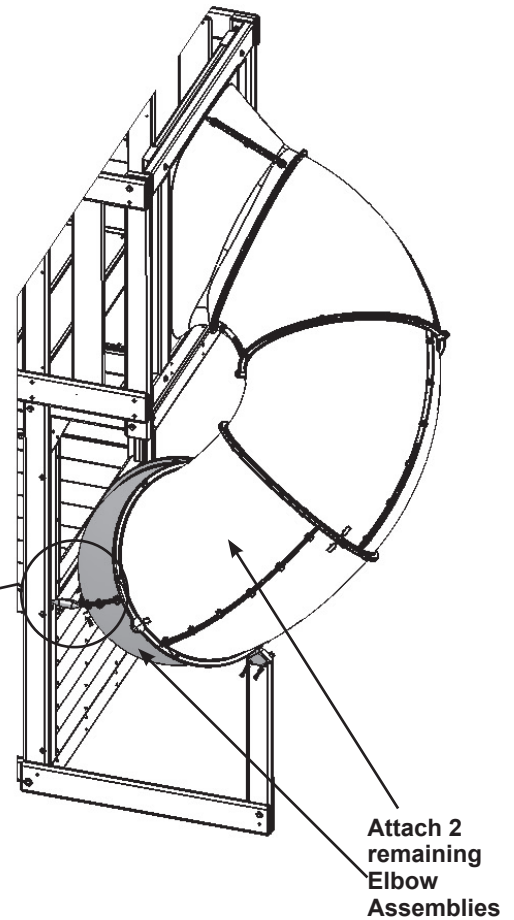
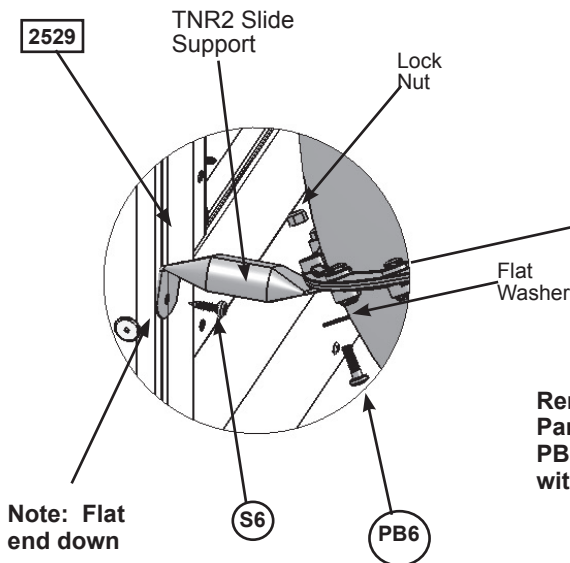


Fig. 40.2



Remove PB1 (1/4 x 3/4" Pan Bolt first then install PB6 (1/4 x 1" Pan Bolt with flat washer)

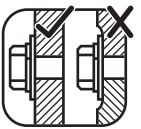
Attach 2 remaining Elbow Assemblies

Hardware

- 1 x (S6) #12 x 1" Pan Screw
- 1 x (PB6) 1/4 x 1" Pan Bolt (1/4" flat washer & 1/4" lock nut - previously removed)
- 16 x (PB1) 1/4 x 3/4" Pan Bolt (1/4" lock nut)

Other Parts

- 1 x TNR2 Slide Support
- 4 x TNR2 Slide Clamp Ring



Step 41: Attach SL Support to Ground Back

A: Insert TNR2 Post Mount on (8168) SL Support and attach with 2 (PB2) 1/4 x 1-1/4" Pan Bolts (with lock washer and t-nut). **Keep these bolts loose.** (fig. 41.1 and 41.2)

B: Use (8168) SL Support as a guide to judge the proper bolt location, remove the bottom pan bolt and nut. **The bolt will no longer be needed, but keep the lock nut.** (fig. 41.2)

C: Attach the top of the TNR2 Post Mount to TNR2 Slide Clamp Ring using 1 (PB2) 1/4 x 1-1/4" Pan Bolt (with the previously removed lock nut). (fig. 41.2)

Fig. 41.1

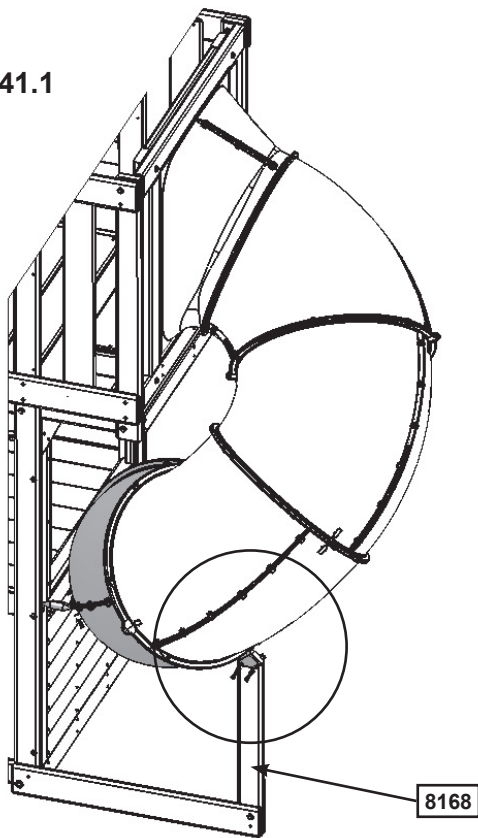
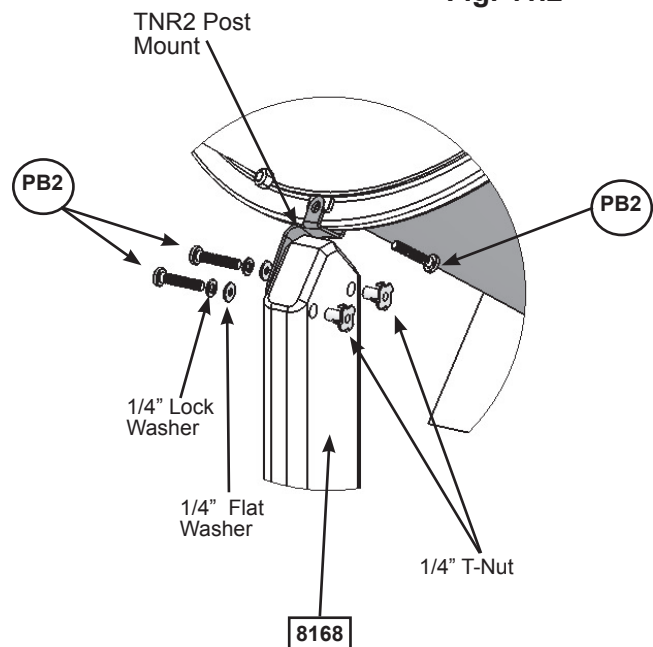


Fig. 41.2



Remove PB1 (1/4 x 3/4" Pan Bolt first then install PB2 (1/4 x 1-1/4" Pan Bolt with previously removed lock nut)

Hardware
 3 x (PB2) 1/4 x 1-1/4" Pan Bolt
 2 - (1/4" lock washer & 1/4" t-nut)
 1 - (1/4" lock nut - previously removed)

Other Parts
 1 x TNR2 Post Mount

Step 42: Attach TNR2 Slide Exit to Exit Elbow Assembly



A: Insert flange of Exit Elbow Assembly (slide elbow) into the slots on TNR2 Slide Exit. (fig. 42.1)

B: Rotate Slide Exit and use Quadrex Driver as a guide pin so the holes are aligned and attach with 5 (PB1) 1/4 x 3/4" Pan Bolts (with lock nuts) starting with the bottom middle hole and working up each side. (fig. 42.2 and 42.3)

C: At this point make sure all the slide bolts are tight. *Use a 7/16" open end wrench to hold nut and then tighten bolt with Quadrex Driver on Clamp Rings.*

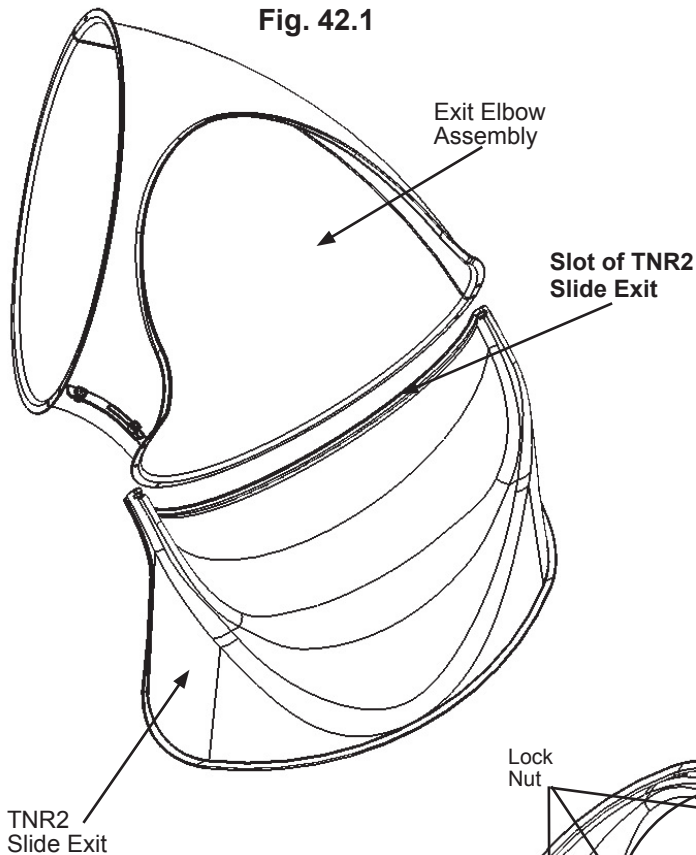


Fig. 42.1

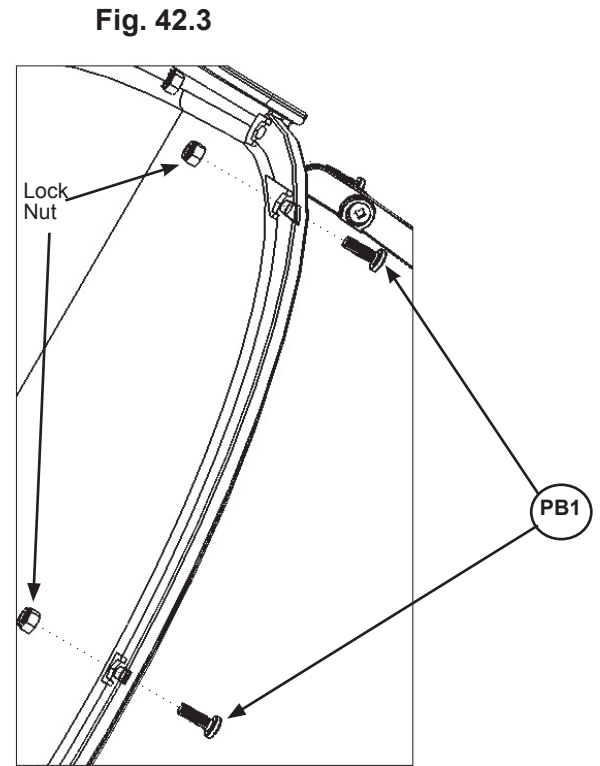
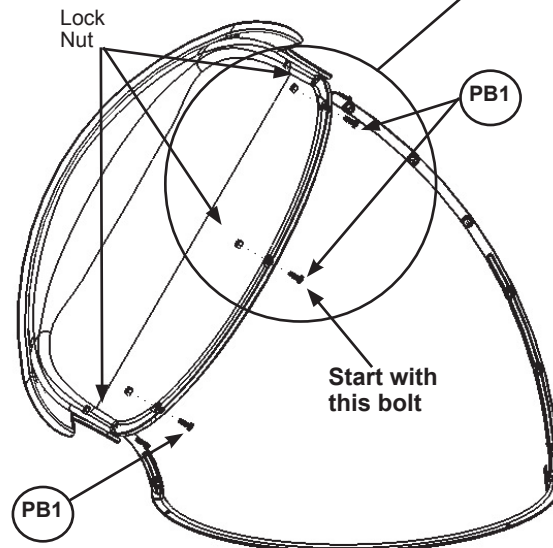


Fig. 42.3

Fig. 42.2



Bottom of Slide Views

Hardware

5 x 1/4 x 3/4" Pan Bolt
(1/4" lock nut)

Other Parts

1 x TNR2 Slide Exit

Step 43: Attach Exit End Assembly to Fort



Note: When installing Pan Bolts make sure to look at holes so bolts go through the side with the round recess and the lock nuts go through the side with the hexagonal recess. Keep all bolts loose until further step.

A: Fit the Exit End Assembly to the last Elbow Assembly by lining up the arrows on each assembly. Notice the elbow orientation. (fig. 43.1)

B: Attach 1 TNR2 Slide Clamp Ring to the top of the joined Assemblies using 3 (PB1) 1/4 x 3/4" Pan Bolts (with lock nut), making sure to match the arrows up with the end of the clamp ring (where a seam will be) as shown in fig. 43.1.

Use Quadrex Driver as a guide pin for each hole before inserting bolt.

C: Attach 1 TNR2 Slide Clamp Ring to the bottom of the joined Assemblies using 3 (PB1) 1/4 x 3/4" Pan Bolts (with lock nut), making sure to match the arrows up with the end of the clamp ring (where a seam will be) as shown in fig. 43.2.

D: Connect the 2 TNR2 Slide Clamp Rings together in 2 spots using 1 (PB1) 1/4 x 3/4" Pan Bolt (with lock nut) per hole. Make sure seams and arrows line up and then tighten all bolts. (fig. 43.3).

Fig. 43.1 Top Slide Bolt Holes

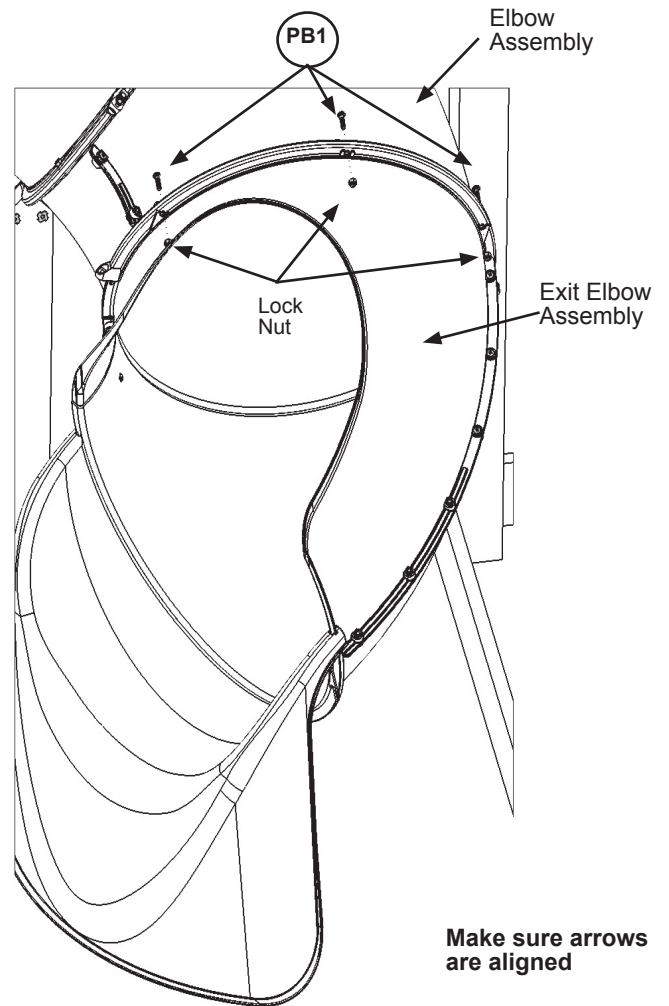


Fig. 43.2 Bottom Slide Bolt Holes

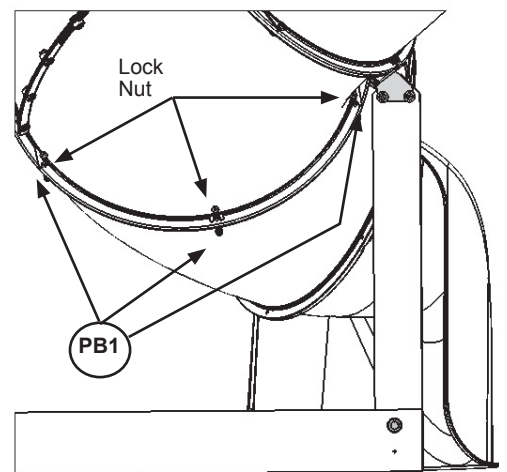
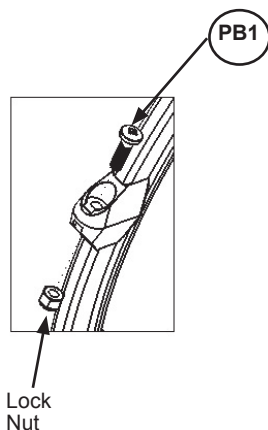


Fig. 43.3

After the clamp rings are attached to the elbows, fasten them end to end with two pan bolts and lock nuts



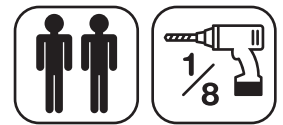
Hardware

8 x (PB1) 1/4 x 3/4" Pan Bolt (1/4" lock nut)

Other Parts

2 x TNR2 Slide Clamp Ring

Step 44: Attach Slide to Fort

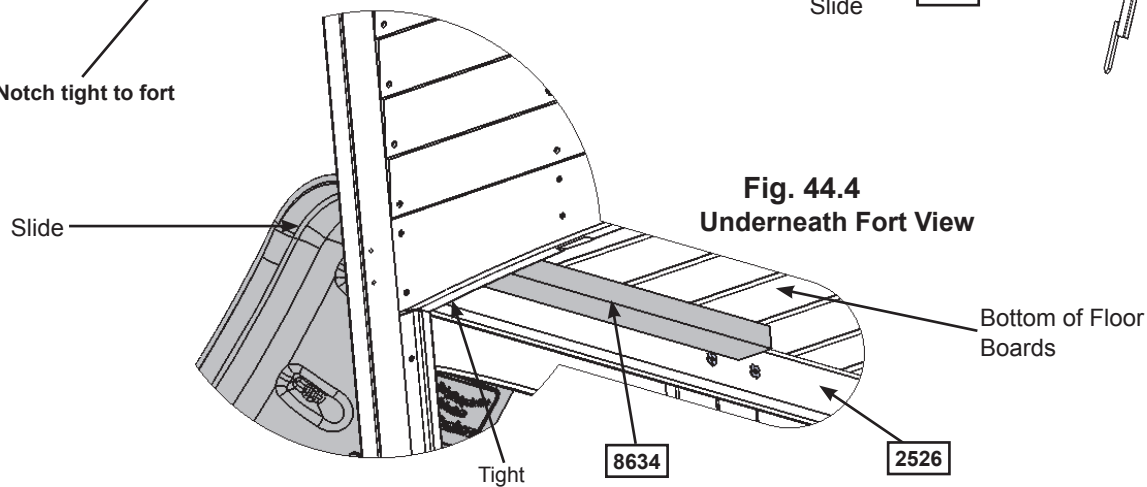
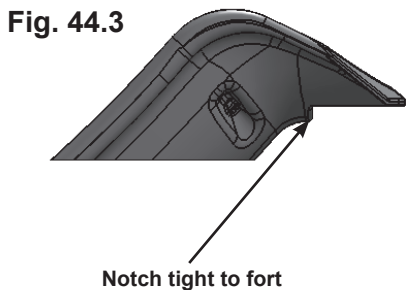
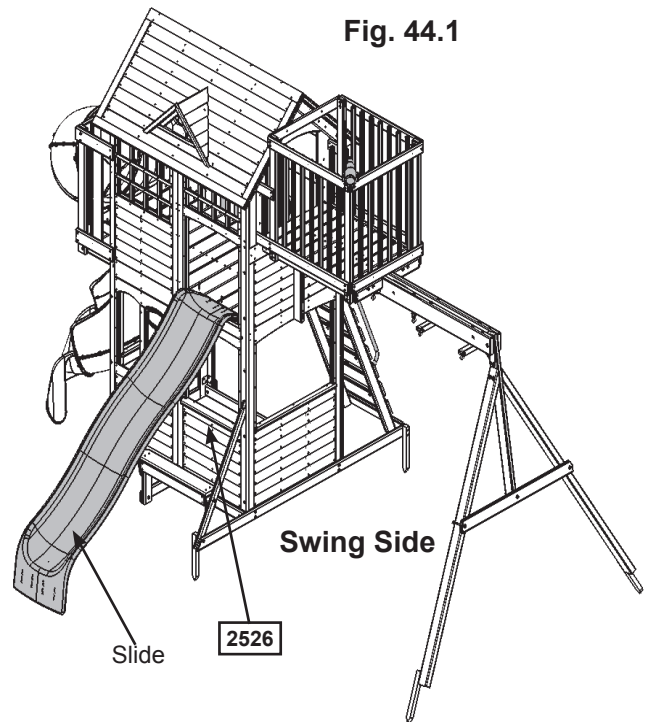
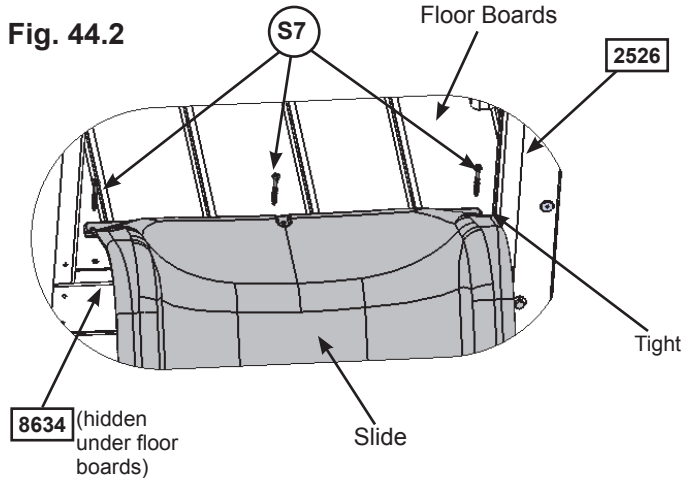


Note: Pre-drill all holes using a 1/8" drill bit before installing the pan screws.

A: Place Slide tight to the Swing Side in the opening of (2526) Cafe Panel. Notch at the bottom of slide should fit tight to the wall. (fig. 44.1, 44.2 and 44.3)

B: Place (8634) Crowsnest Face B under the floor boards tight to the front and Swing Side of (2526) Cafe Panel then attach slide to fort through the floor boards and into (8634) Crowsnest Face B using 3 (S7) #12 x 2" Pan Screws. (fig. 44.1, 44.2 and 44.4)

⚠ WARNING: Check entire play centre for bolts protruding beyond T-Nuts. Use extra washers to eliminate this condition.



Wood Parts

1 x 8634 Crowsnest Face B 2 x 3 x 27-3/4

Hardware

3 x S7 #12 x 2" Pan Screw

Other Parts

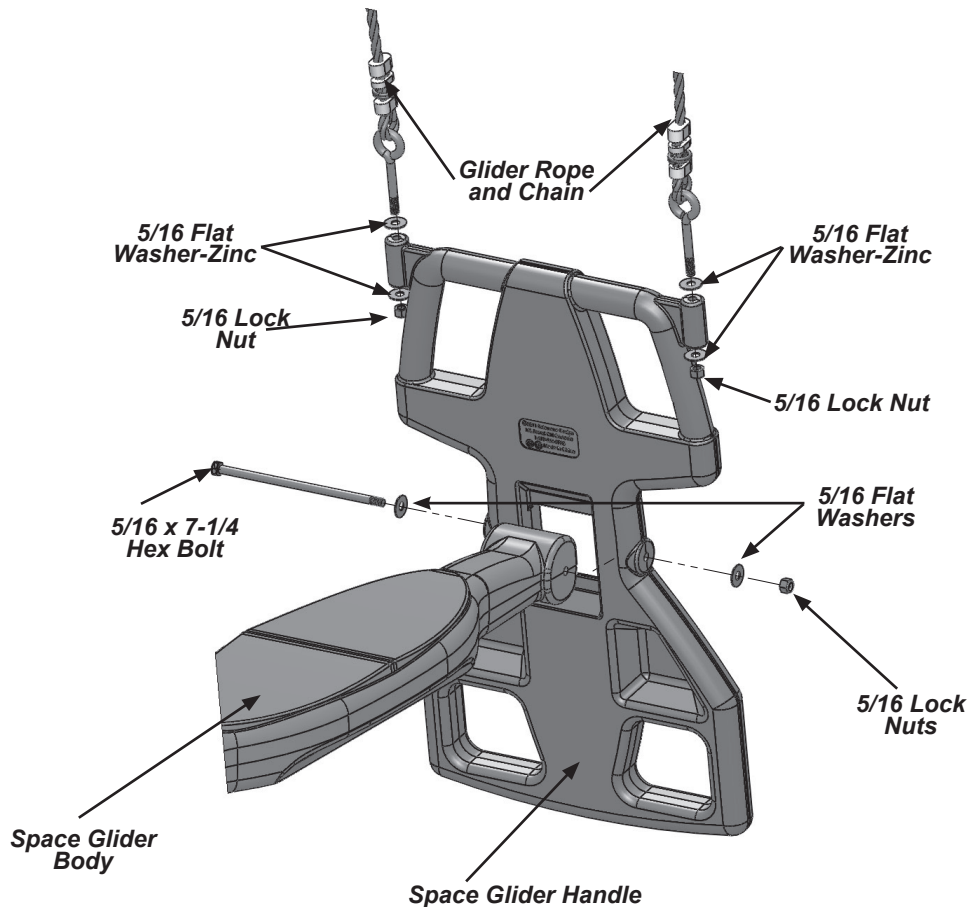
1 x Slide

Step 45: Glider Assembly

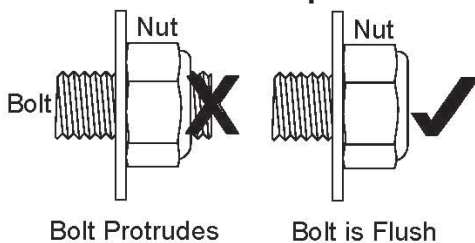
A: Attach 1 Space Glider Handle to the Space Glider Body using 1 (G25) 5/16 x 7-1/4" Hex Bolt (with 2 flat washers and 1 lock nut). Repeat for the second Space Glider Handle. (fig. 45.1)

B: Install 2 Glider Rope with Chains into each Space Glider Handle using 2 - 5/16" Flat Washers and 1 Lock Nut per rope. (fig. 45.1)


Fig. 45.1



⚠ WARNING: Bolt must not exceed 1/2 thread past the nut



Hardware

- 2 x  5/16 x 7-1/4" Hex Bolt (5/16" flat washer x 2, 5/16" lock nut)
- 8 x 5/16" Flat Washer
- 4 x 5/16" Lock Nut

Other Parts

- 2 x Space Glider Handle
- 1 x Space Glider Body
- 1 x Glider Rope and Chain (pkg of 4)

Step 46: Attach Glider and Swings

A: Insert flexible Swing Hanger Cover over hook. (fig. 46.1)

B: Slide Swing Hanger Cover around hook until at top. (fig. 46.2)

C: Hook each Swing and Glider onto hook. (fig. 46.3 and 46.5)

D: Twist and flex Swing Hanger Cover onto open end of hook. (fig. 46.4)

E: Attach KidKraft Logo Plaque over 1/4" t-nut on (1248) Front Beam with 4 (S18) #6 x 1" Wood Screws. (fig. 46.5 and 46.6)

Fig. 46.1



Fig. 46.2



Fig. 46.3



Fig. 46.4



Fig. 46.5

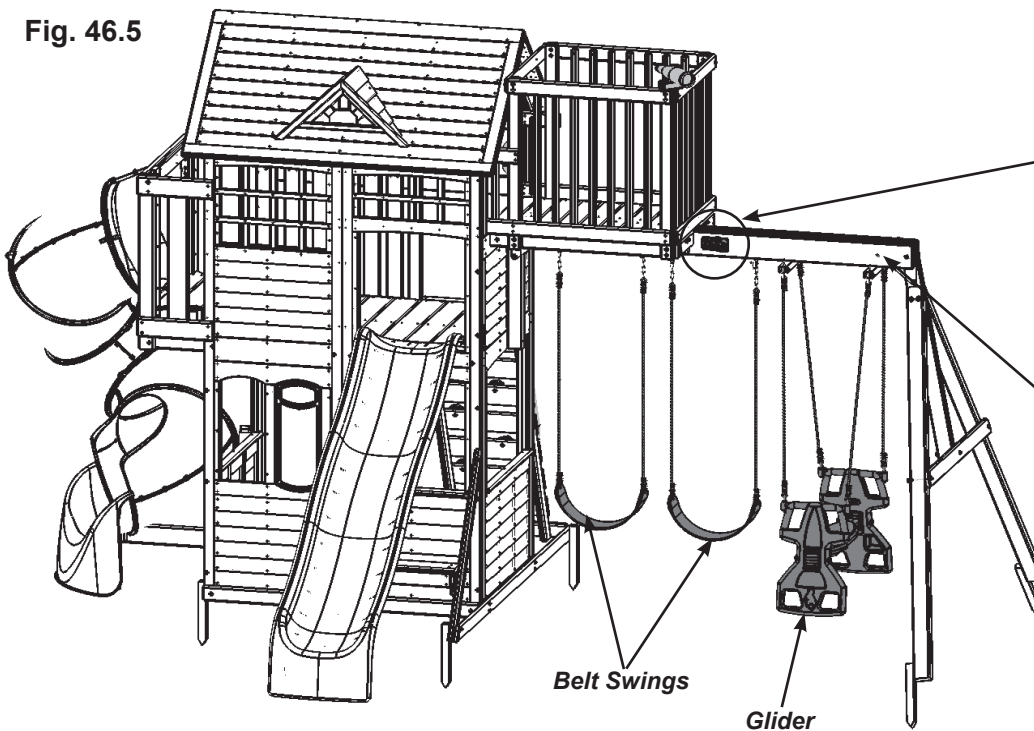
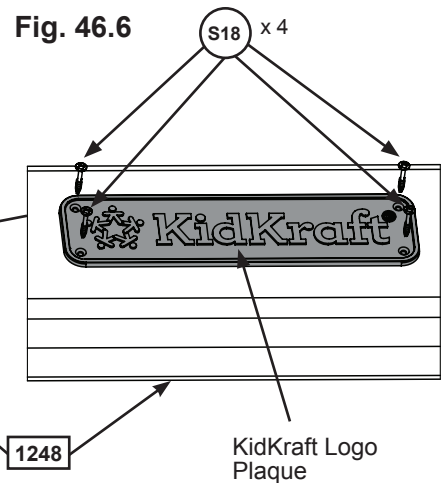



Fig. 46.6



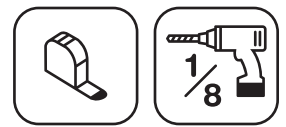
Hardware

4 x  #6 x 1" Wood Screw

Other Parts

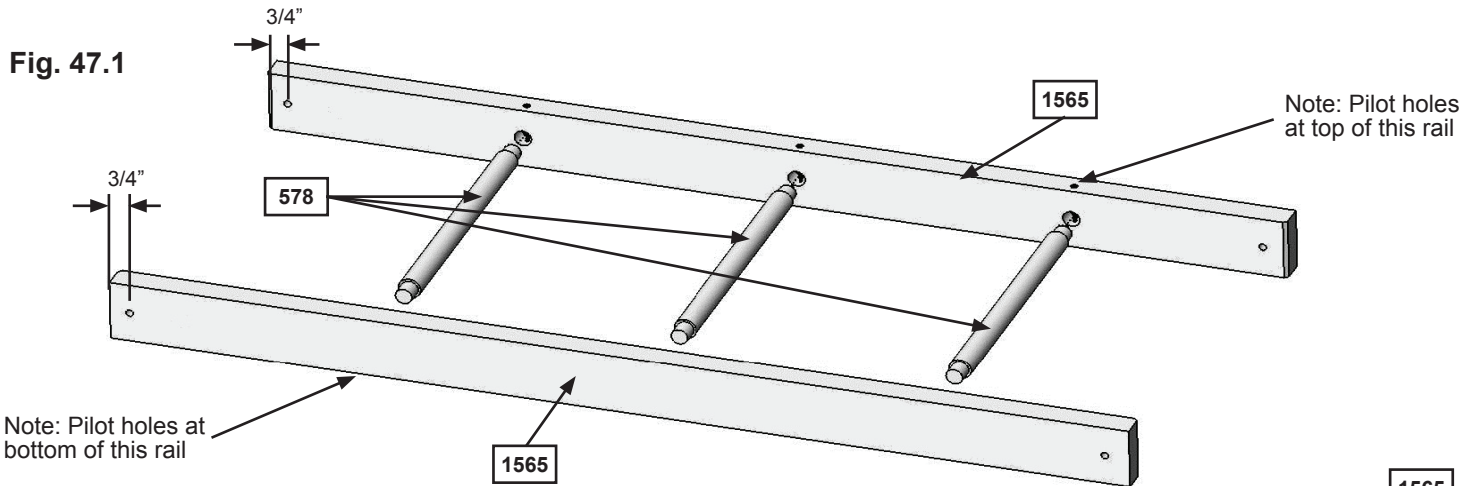
8 x Swing Hanger Cover
2 x Belt Swings
1 x KidKraft Logo Plaque

Step 47: Monkey Rail Assembly



Pre-drill all pilot holes using a 1/8" drill bit before installing Wood Screws.

A: Insert 3 (578) 1-1/8 x 15-7/8" Dowels into both (1565) MK Rail Shorts as shown in fig. 47.1. Note the pilot holes in one of the (1565) MK Rail Short are on the bottom of the board.



B: Make sure shoulder of dowel is against each rail before pre-drilling pilot holes. Drill 1/8" pilot holes through the rails and into the dowels to prevent splitting. (fig. 47.2)

Fig. 47.2

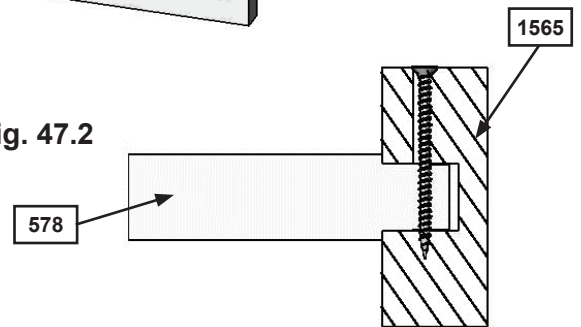
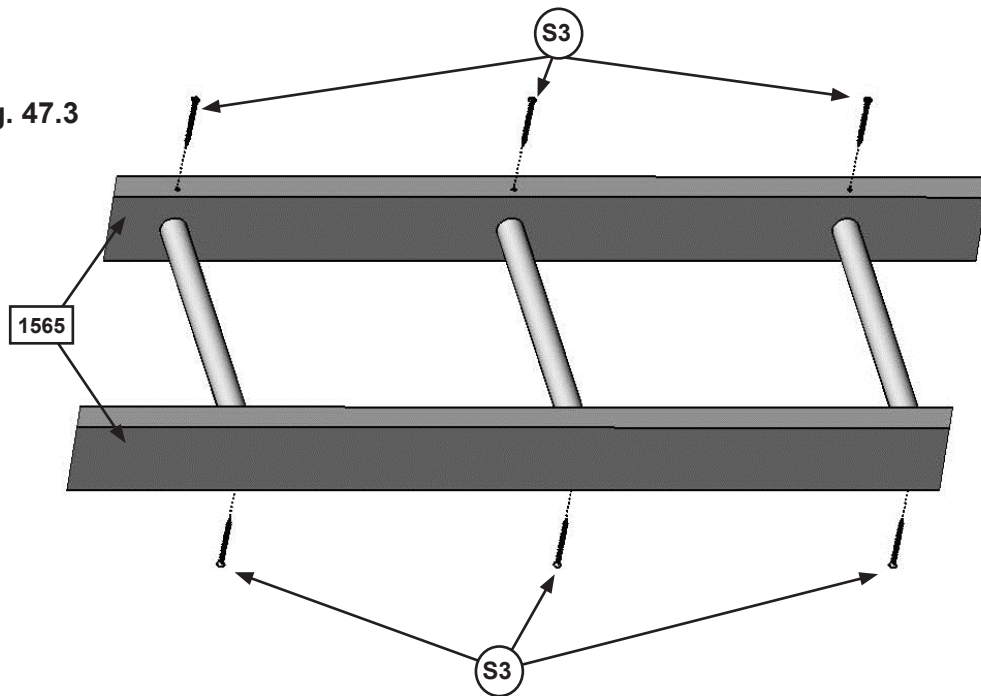


Fig. 47.3



C: Attach (578) 1-1/8 x 15-7/8" Dowels to both rails with 2 (S3) #8 x 2-1/2" Wood Screws per dowel. (fig. 47.3)

Wood Parts

- 3 x 578 Tennon Dowel 1-1/8 x 15-7/8"
- 2 x 1565 MK Rail Short 2 x 4 x 50"

Hardware

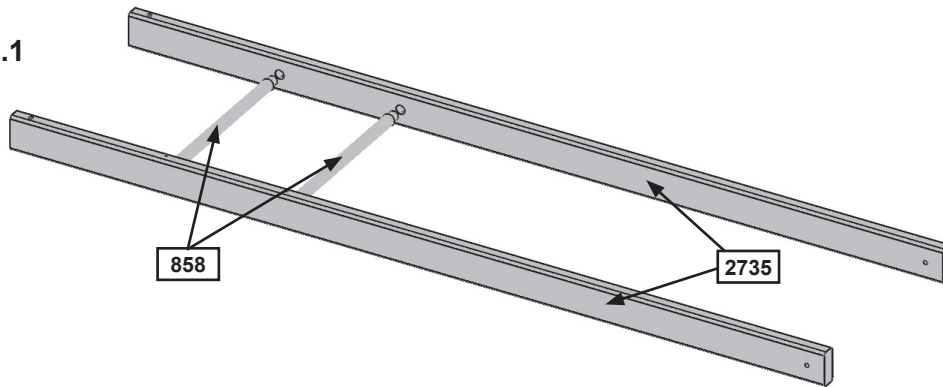
- 6 x S3 #8 x 2-1/2" Wood Screw

Step 48: Monkey Ladder Assembly



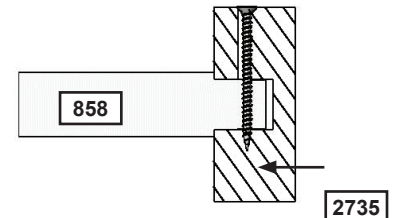
A: Insert 2 (858) 1-1/8 x 18-5/8" Dowels into 2 (2735) MK Post as shown in fig. 48.1.

Fig. 48.1



B: Make sure shoulder of dowels are against each post before pre-drilling pilot holes. Drill 1/8" pilot holes through the posts and into the dowels to prevent splitting. (fig. 48.2)

Fig. 48.2



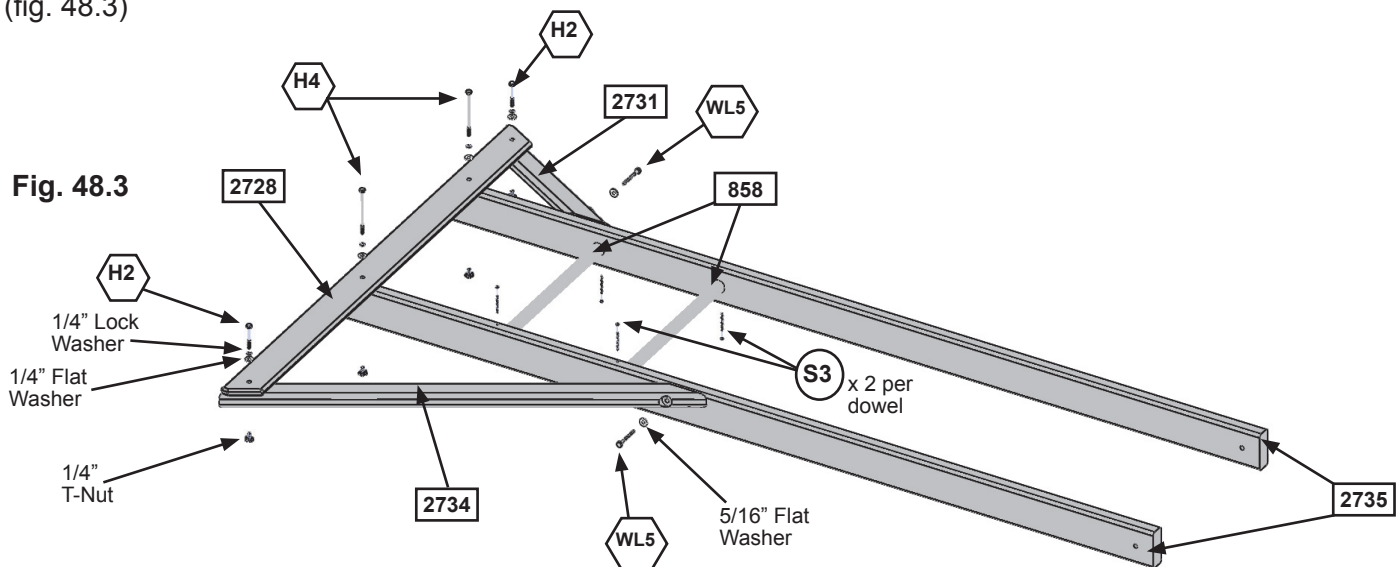
C: Attach each (858) 1-1/8 x 18-5/8" Dowels to both posts with 2 (S3) #8 x 2-1/2" Wood Screws per dowel. One screw is installed from top of the rails and the other from the bottom as shown in fig. 48.3.

D: At bottom of (2735) MK Post attach (2728) MK Ground with 2 (H4) 1/4 x 4" Hex Bolts (with lock washer, flat washer and t-nut). **Be sure to keep the bolts loose.** (fig. 48.3)

Note: Pre-drill all holes using a 1/8" drill bit before installing the lag screws.

E: Make sure the assembly is square and then attach (2734) Long Diagonal to the end shown below on (2728) MK Ground and (2731) Short Diagonal to the other side with 1 (H2) 1/4 x 2" Hex Bolt (with lock washer, flat washer and t-nut) per diagonal, keeping the bolts loose. Attach both diagonals to (2735) MK Posts with 1 (WL5) 1/4 x 2-1/2" Wafer Lag (with flat washer) per diagonal. Once lag screws are installed tighten all bolts from Steps D & E. (fig. 48.3)

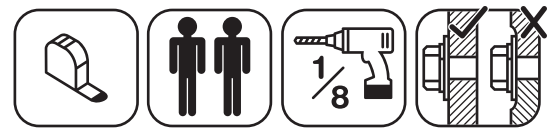
Fig. 48.3



Wood Parts	
2 x	2735 MK Post 2 x 4 x 80-7/8"
1 x	2728 MK Ground 1 x 4 x 49-15/64"
1 x	2734 Long Diagonal 2 x3 x 42"
1 x	2731 Short Diagonal 2 x 3 x 18"
2 x	858 Tennon Dowel 1-1/8 x 18-5/8"

Hardware	
2 x	H4 1/4 x 4" Hex Bolt (1/4" lock washer, 1/4" flat washer, 1/4" t-nut)
2 x	H2 1/4 x 2" Hex Bolt (1/4" lock washer, 1/4" flat washer, 1/4" t-nut)
2 x	WL5 1/4 x 2-1/2" Wafer Lag (5/16" flat washer)
4 x	S3 #8 x 2-1/2" Wood Screw

Step 49: Connect Monkey Bar Assemblies



Note: Pre-drill all holes using a 1/8" drill bit before installing the pan screws.

A: Using a Monkey Bracket connect (1565) MK Rail Shorts to each (2735) MK Post with 1 (G10) 5/16 x 3" Hex Bolt (with lock washer, flat washer and t-nut) per bracket and Monkey Bracket to the rails using 2 (S6) #12 x 1" Pan Screws per rail as shown in fig. 49.1 and 49.2.

B: Attach Monkey Bracket to both (2735) MK Posts with 2 (S6) #12 x 1" Pan Screws per bracket. (fig. 49.2)

Fig. 49.2

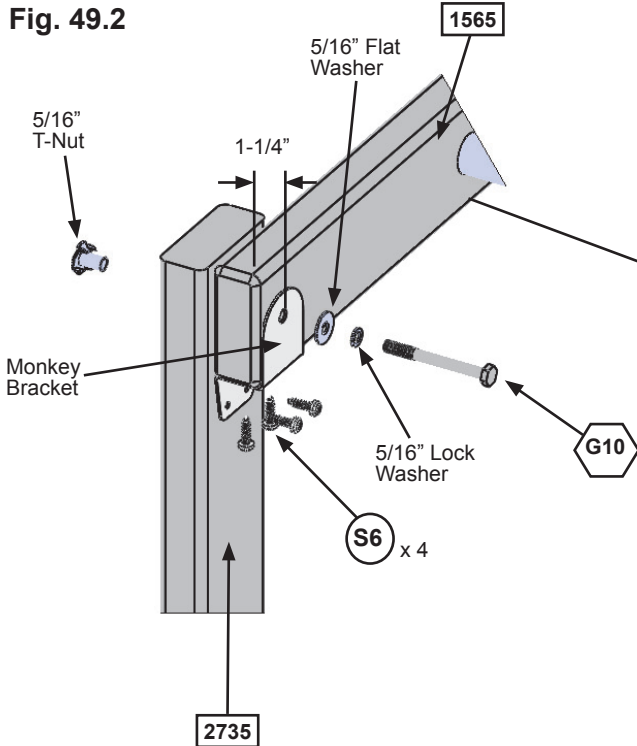
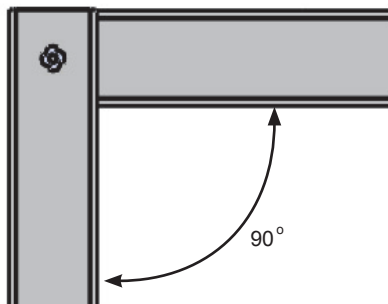
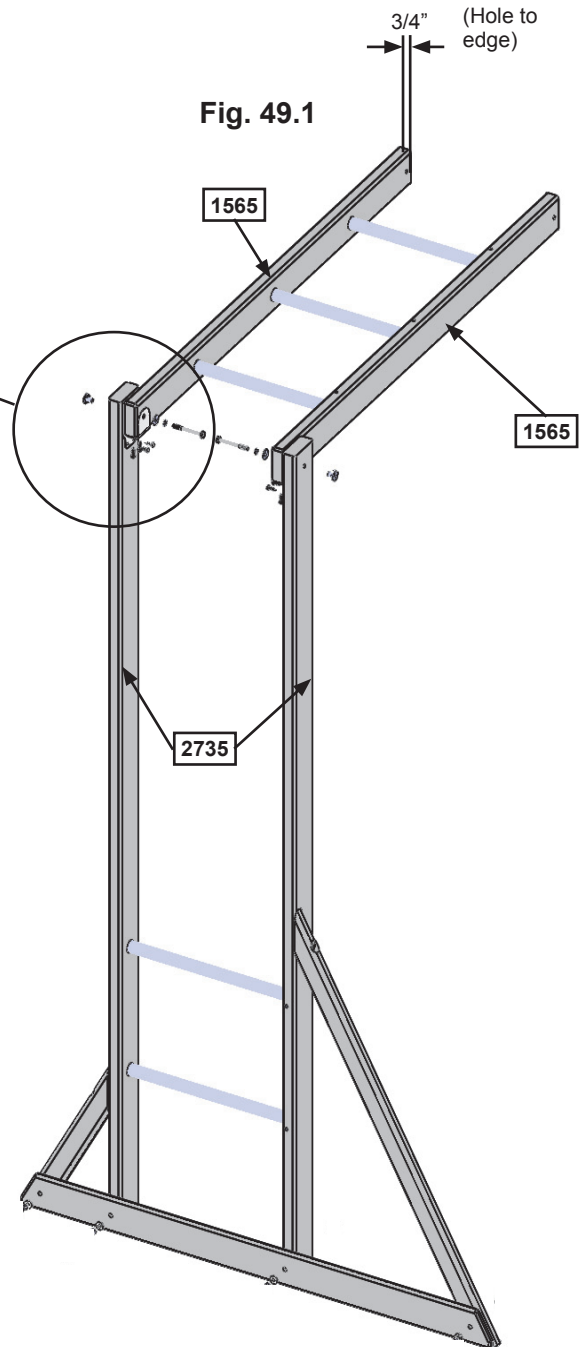


Fig. 49.1



Hardware

- 2 x 5/16 x 3" Hex Bolt (5/16" lock washer, 5/16" flat washer, 5/16" t-nut)
- 8 x #12 x 1" Pan Screws

Other Parts

- 2 x Monkey Bracket

Step 50: Attach MB Hanger Brackets

A: Place 1 MB Hanger Bracket at the ends of each (1565) MK Rail Short so they wrap around the bottoms of the rails then attach with 1 (PB5) 1/4 x 2" Pan Bolt (with flat washer x 2 and lock nut). (fig. 50.1 and 50.2)

Fig. 50.1

1565

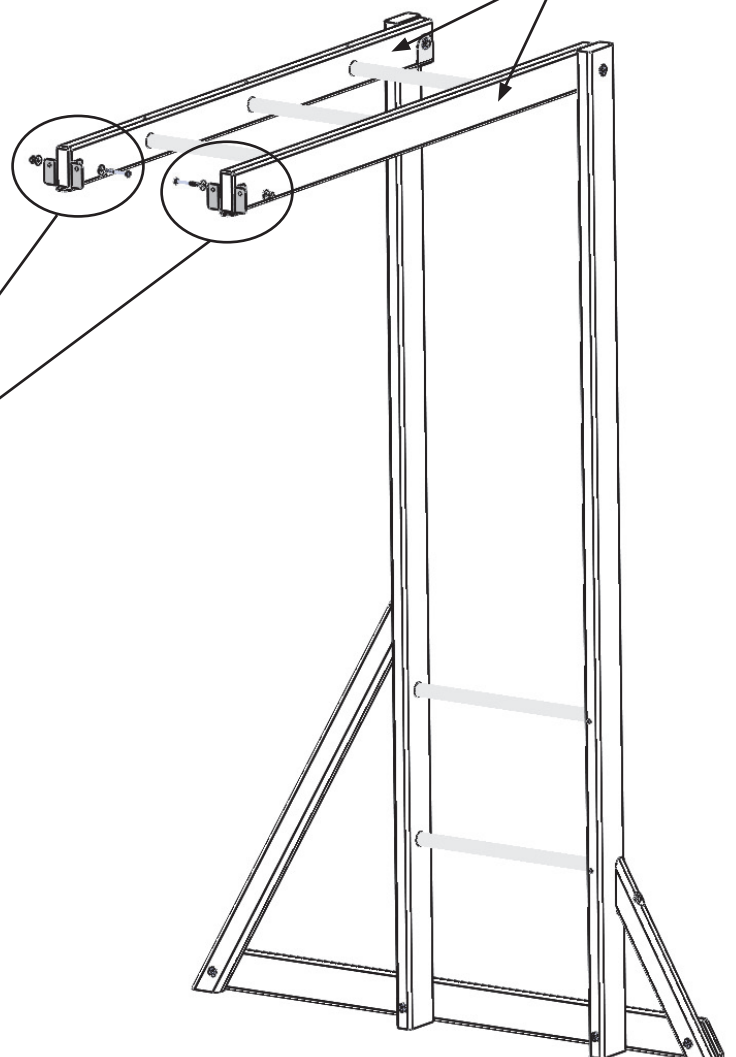
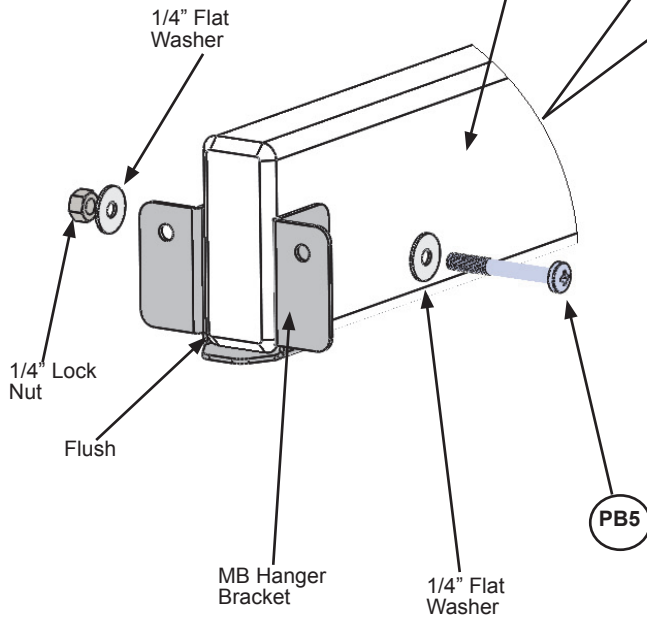



Fig. 50.2

1565



Hardware

2 x  1/4 x 2" Pan Bolt
(1/4" flat washer x 2 and lock nut)

Other Parts

2 x MB Hanger Bracket

Step 51: Connect Monkey Bar Assembly to Fort Part 1

A: On the Back of the fort, tight to the bottom of (2494) Middle Back and flush to the outside edges of (2482) Back Wall Support and (2500) Crowsnest Post attach (2732) MK Lower Back to (2482) Back Wall Support, (2473) Post and (2500) Crowsnest Post with 4 (S7) #12 x 2" Pan Screws. Notice bolt holes are over the opening (fig. 51.1 and 51.2)

Fig. 51.1

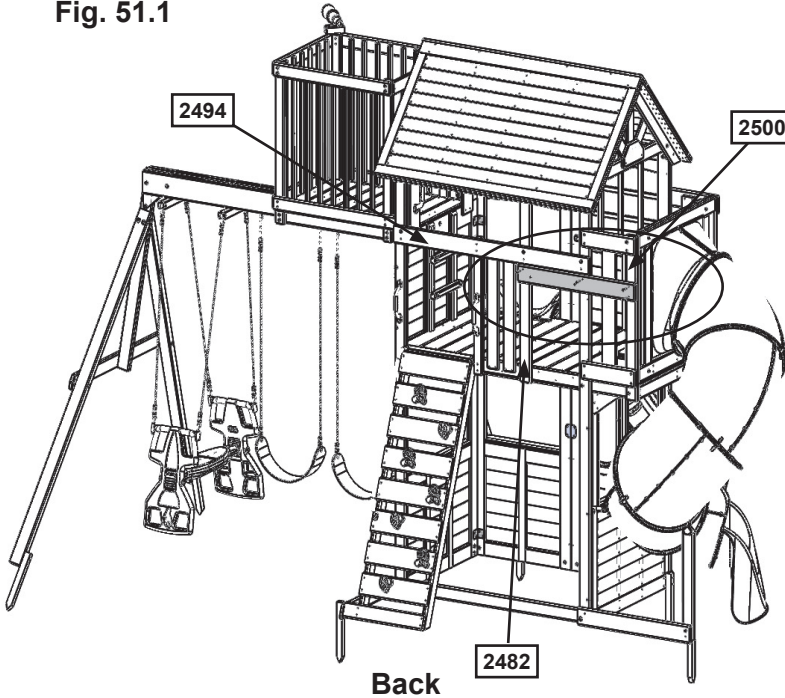
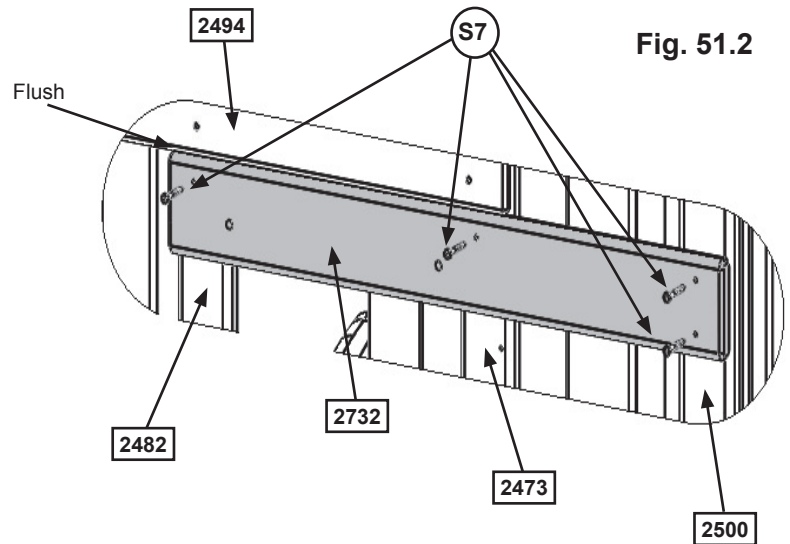


Fig. 51.2



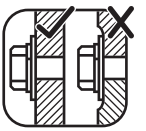
Wood Parts

1 x 2732 MK Lower Back 5/4 x 5 x 34-1/8"

Hardware

4 x S7 #12 x 2" Pan Screw

Step 51: Connect Monkey Bar Assembly to Fort Part 2



B: Place the Monkey Bar Assembly against (2732) MK Lower Back in the opening between (2482) Back Wall Support and (2473) Post then attach the MB Hanger Brackets to (2732) MK Lower Back with 1 (PB2) 1/4 x 1-1/4" Pan Bolt (with lock washer, flat washer and t-nut) per bracket in the inside holes and (S7) #12 x 2" Pan Screw per bracket in the outside holes. (fig. 51.3 and 51.4)

Fig. 51.3

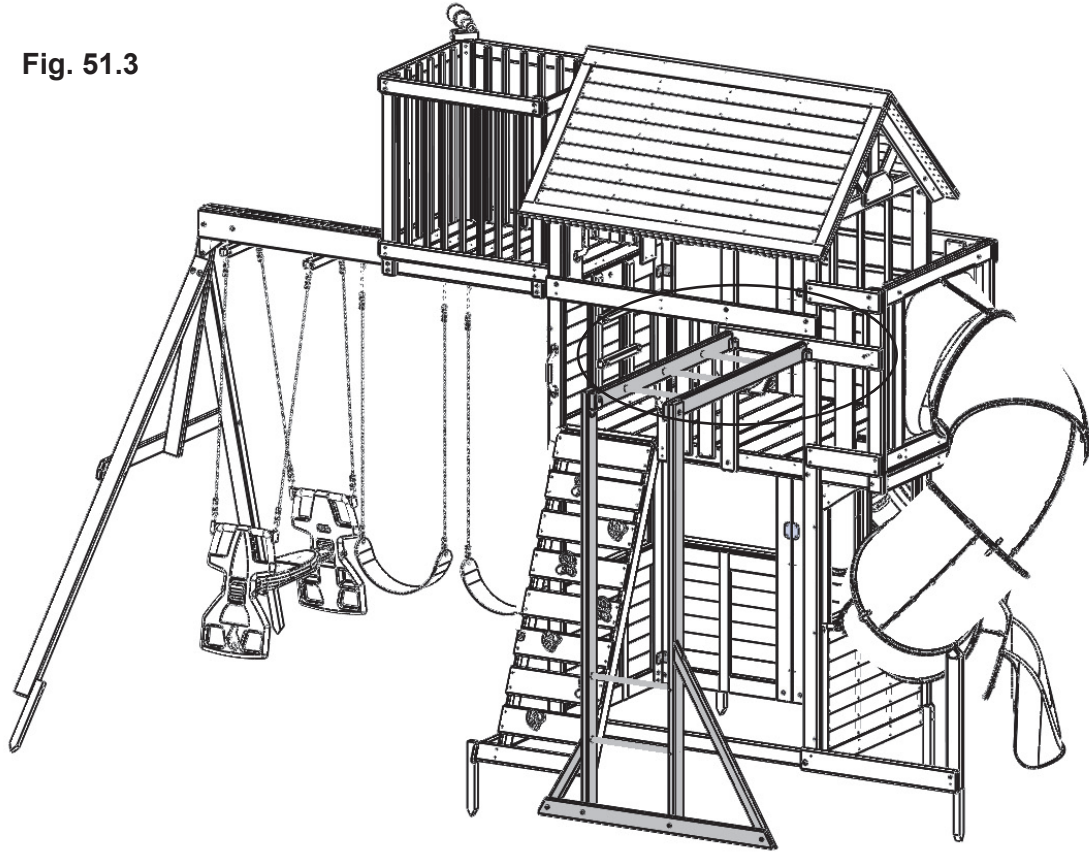
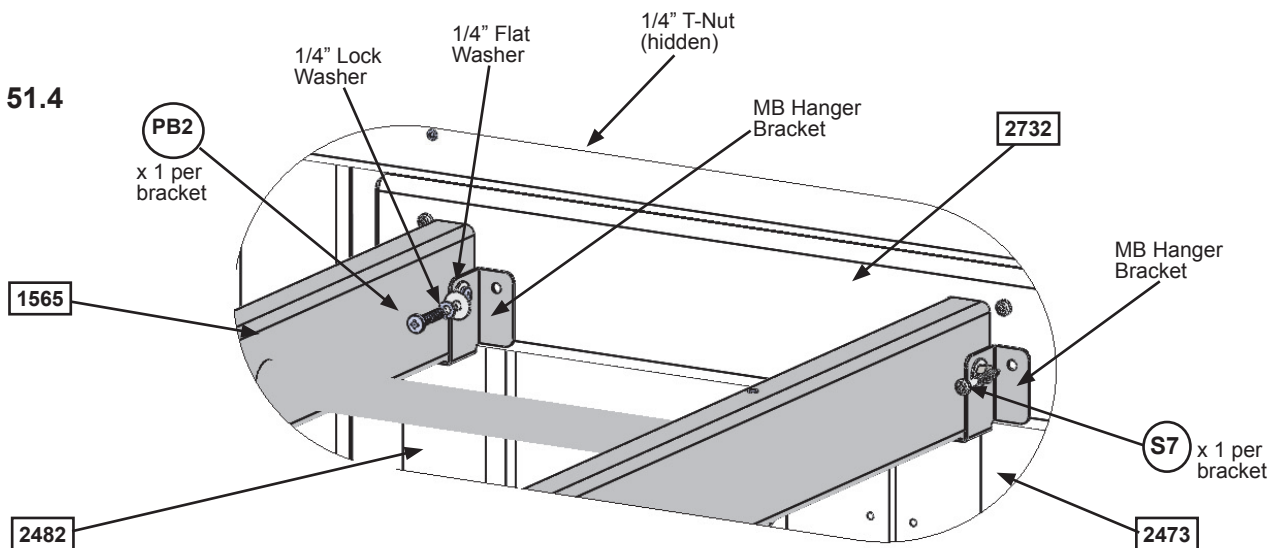


Fig. 51.4



Hardware

- 2 x (PB2) 1/4 x 1-1/4" Pan Bolt
(1/4" lock washer, 1/4" flat washer, and t-nut)
- 2 x (S7) #12 x 2" Pan Screw

Step 52: Attach Monkey Ladder Ground Stake

A: Drive 1 (0318) Ground Stake 10-1/2" into the ground at (1565) MK Rail Short next to (2731) Short Diagonal then attach using 2 (S3) #8 x 2-1/2" Wood Screws. (fig. 52.1 and 52.2)

⚠ WARNING: To prevent tipping and avoid potential injury, stakes must be driven 10-1/2" into ground. Digging or driving stakes can be dangerous if you do not check first for underground wiring, cables or gas lines.

Fig. 52.1

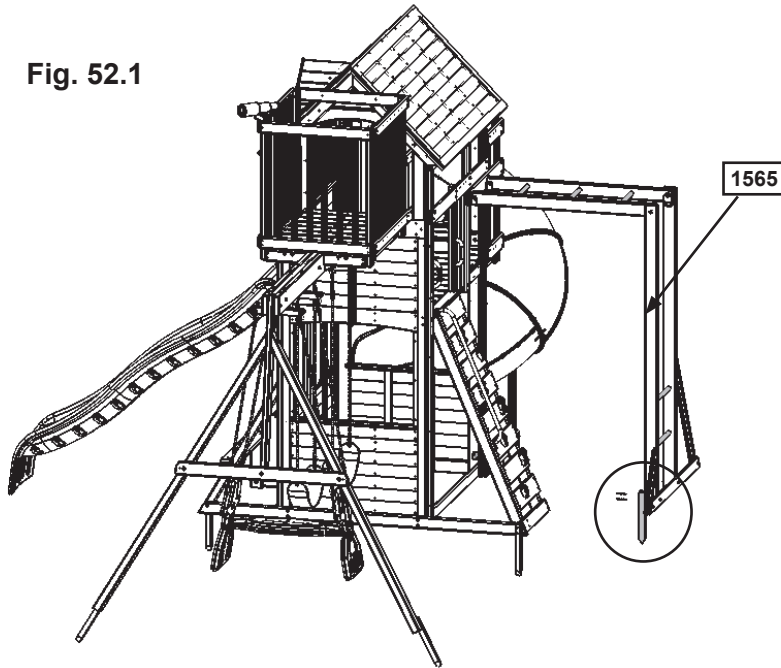
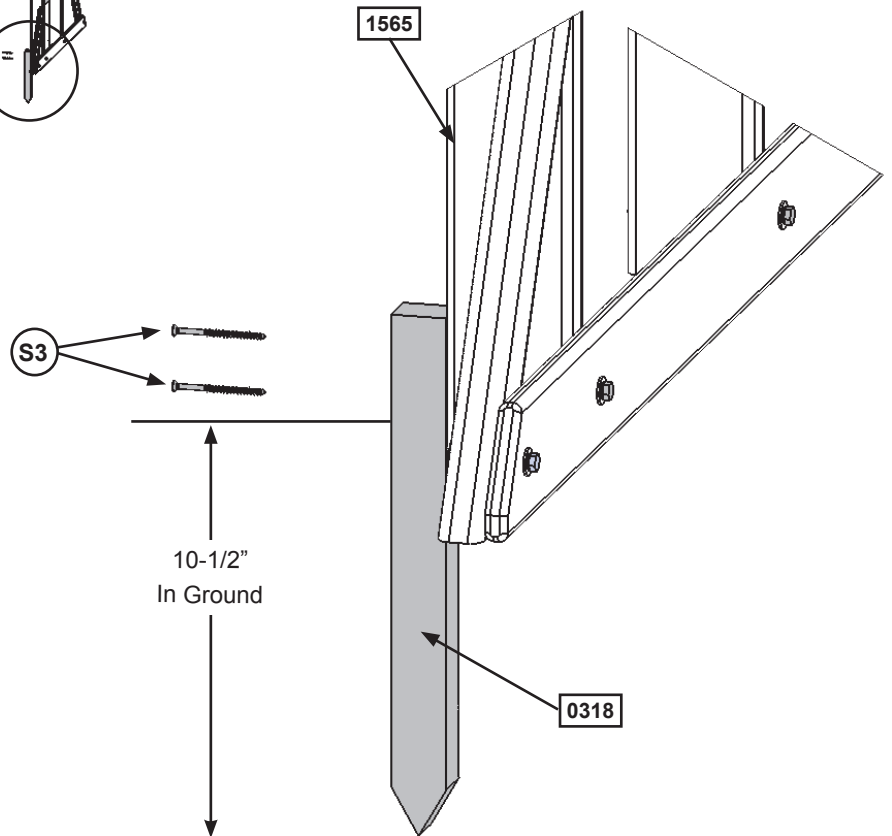


Fig. 52.2



Wood Parts

1 x 0318 Ground Stake 1-1/4 x 1-1/2 x 14"

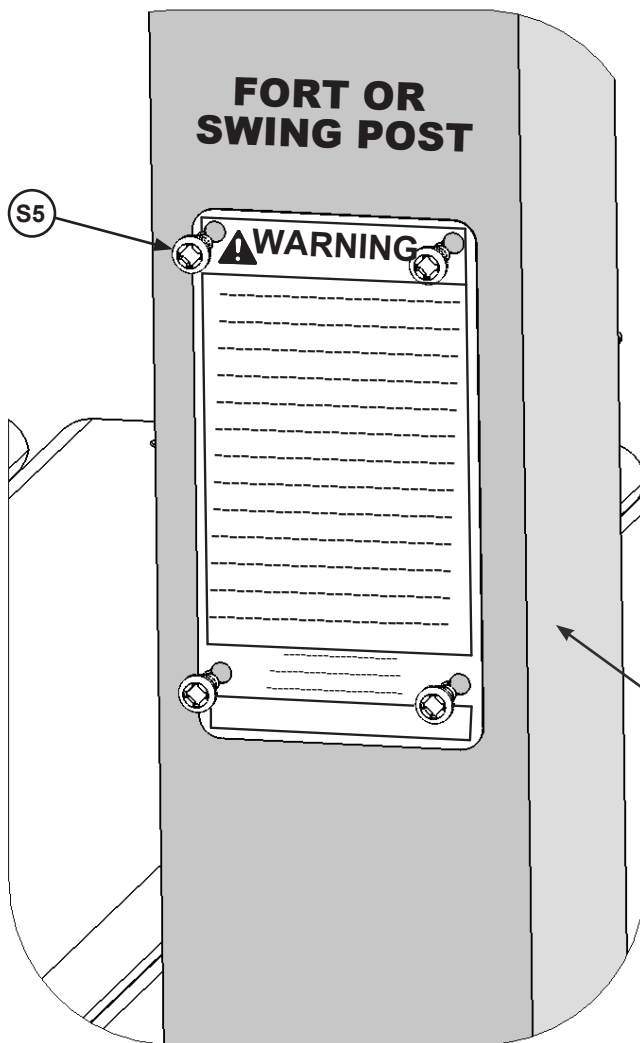
Hardware

2 x S3 #8 x 2-1/2" Wood Screw

Final Step: Attach I.D. Plaque

ATTACH THIS WARNING & I.D. PLAQUE TO A PROMINENT LOCATION ON YOUR PLAY EQUIPMENT! (Fort or Swing Post)

This provides warnings concerning safety and important contact information. A Tracking Number is provided to allow you to get critical information or order replacement parts for this specific model.



I.D. Plaque - KidKraft

Attach I.D. Plaque - KidKraft to a location on your set that is easily seen and read by a supervising adult using 4 (S5) #8 x 1/2" Pan Screws.

Hardware

4 x (S5) #8 x 1/2" Pan Screw

Other Parts

1 x KidKraft I.D. Plaque

