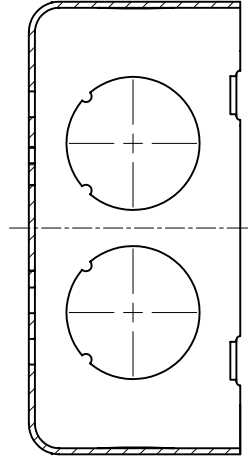
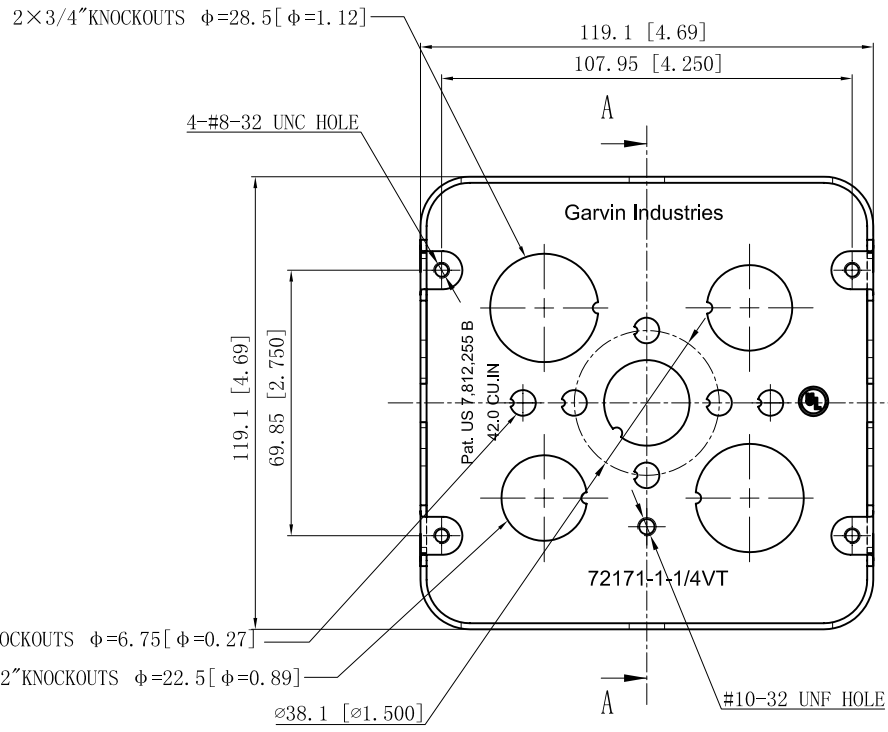
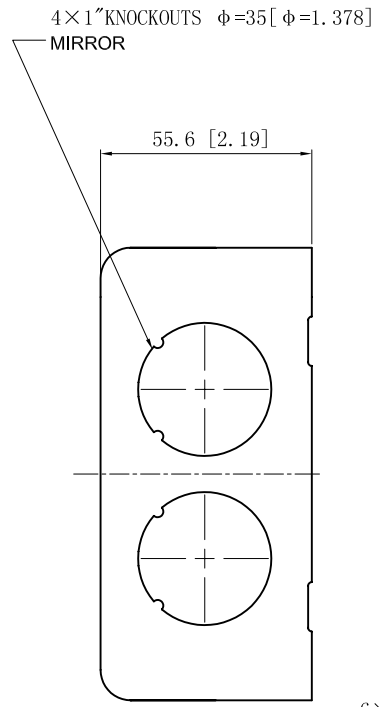
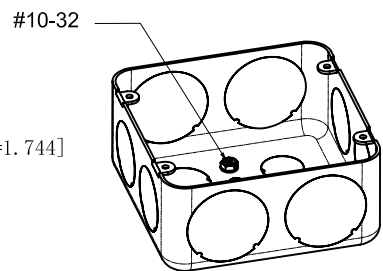
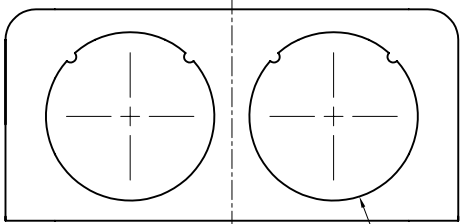


SIDES	BOTTOM
4 1" KNOCKOUTS	6 KNOCKOUTS
4 1 1/4" KNOCKOUTS	3 1/2" KNOCKOUTS
	2 3/4" KNOCKOUTS
1 PCS #10-32x3/8 Screws Installed	
Material: Steel-0.0625"-G60 Galvanized	



DESCRIPTION
Patent #: Pat. US 7,812,255 B
TRADE REFERENCE TERMS

STANDARD PACKING
25 PCS

This data sheet is for reference only. GARVIN INDUSTRIES reserves the right to make changes to the design without prior notice.

GARVIN INDUSTRIES		
TITLE 4-11/16" SQUARE "DRAWN" BOXES (2-1/8" DEEP)		
SIZE A4	DWG NO. 72171-1-1/4VT	REV D
DATA SHEET		