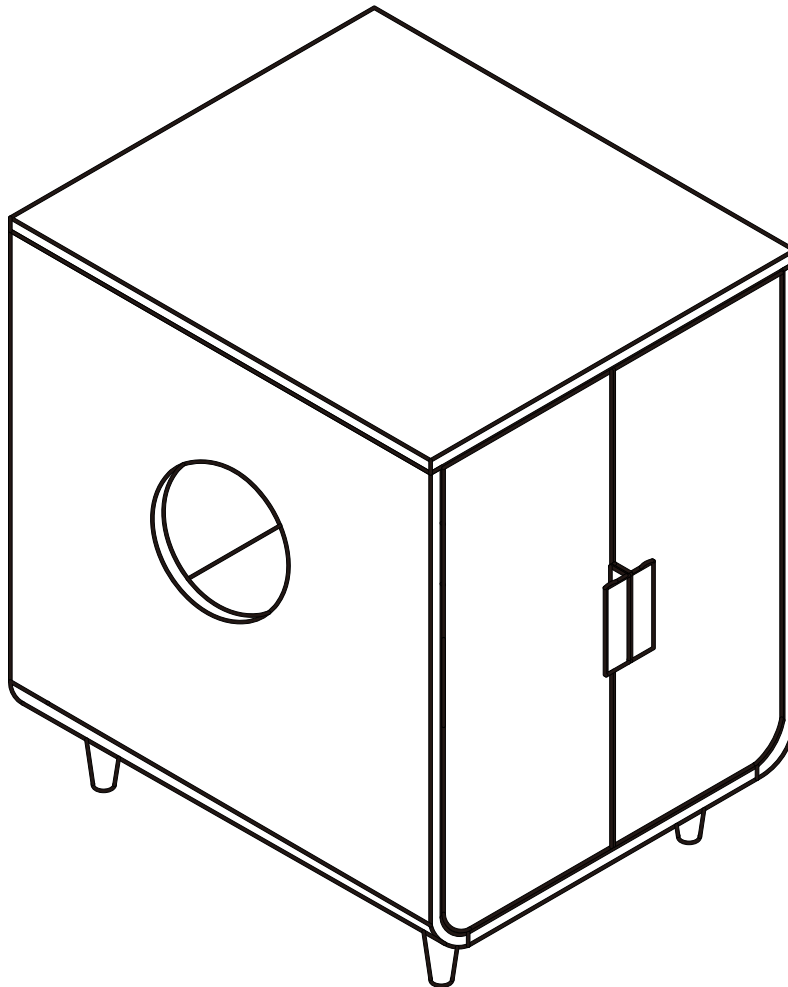
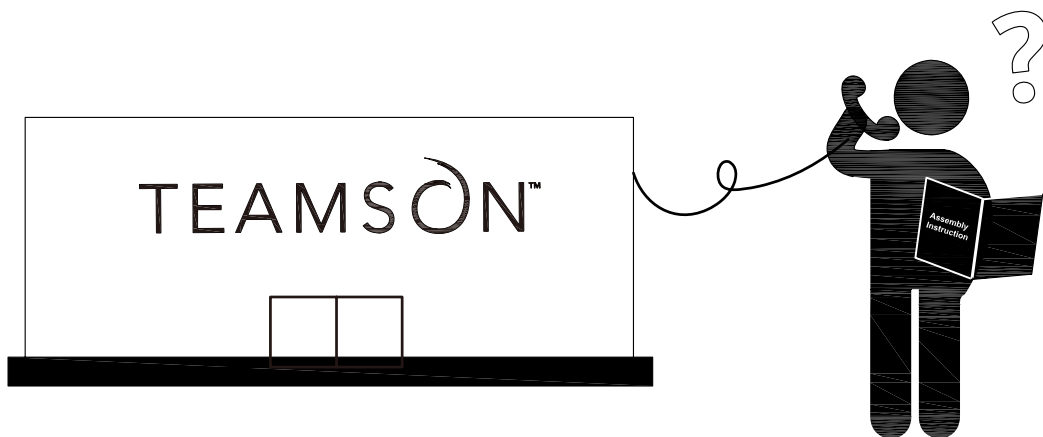
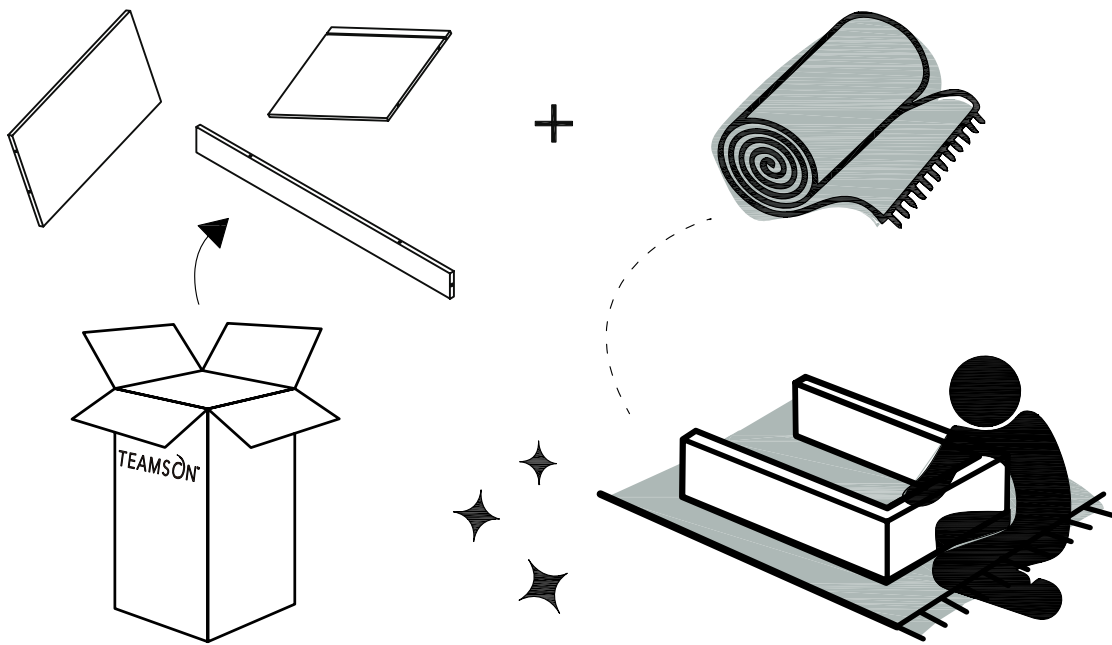
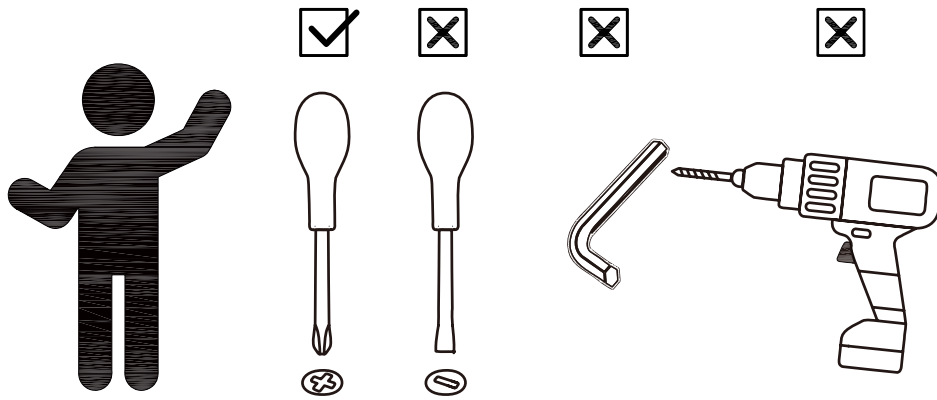


Start

**Dyad Wooden Cat Litter Box -
Mocha Walnut/Alpine White
ST-K100010/ST-K100020**





** Got questions? Please have your product code (on the first page of this instruction, e.g. TD-12345A) and the order number ready, give us a call or email us through our customer care support! We are always ready to assist you!

TEAMSON HOME



Warranty sign up

www.teamsonhome.com

Serving you well gives us great joy!

USA +1(800)935-3959

Mon - Fri 10:00am ~ 2:00pm EST

✉ support@teamson.com

EU/UK . . . +44(0)1952-916-050

Mon - Thu 9:00am ~ 5:00pm GMT

Friday 9:00am ~ 4:00pm GMT

✉ support@teamson.co.uk

ASIA . . . 深圳办公室:

+86(0755)8885-3558.分机号331

Mon - Sat 9:00am ~ 5:00pm GMT+8

✉ sales_ec@teamson.com

台北办公室:

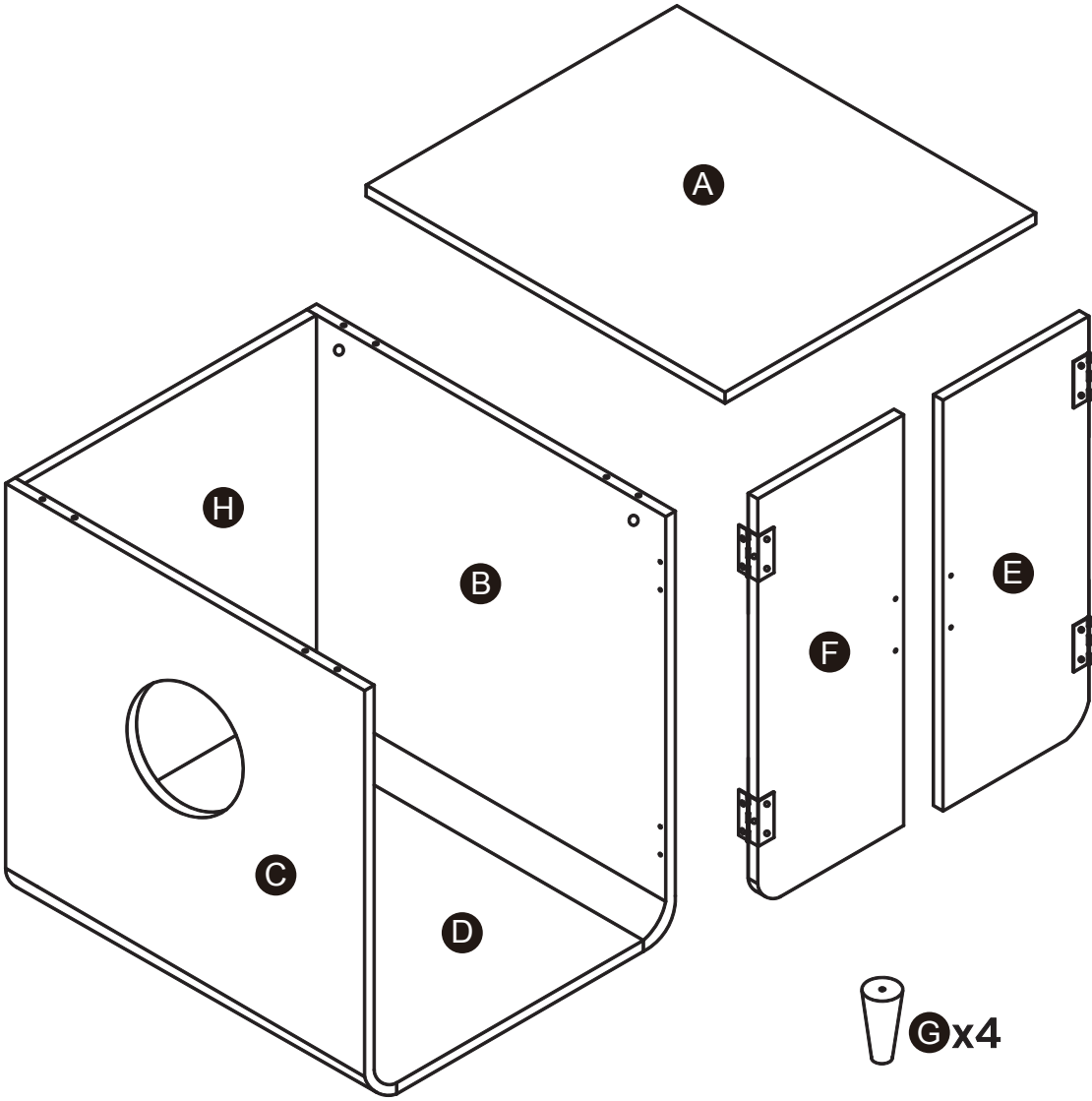
+886(2)2556-6268

Mon - Fri 9:00am ~ 5:00pm GMT+8

✉ sales_ec@teamson.com

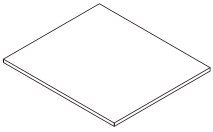
Thank you for choosing Teamson Home

Exploded Drawing

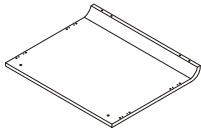


Product Parts

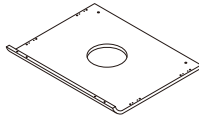
A



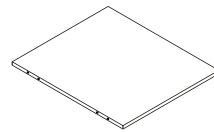
B



C



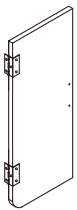
D



E



F

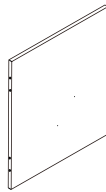


G



4 pcs

H



Questions?
Scan Here

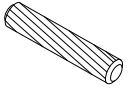


WARNING:

1. Do not let any sharp objects touch or rub the surface of the product.
2. When assembling, do not let children play around the working area.
3. Please confirm all parts are correct before starting the assembly process.
4. Do not tighten all bolts and screws completely until the entire unit has been assembled and set up.

Hardware

1



∅ 8*30

12 pcs

2



12 pcs

3



∅ 15*12

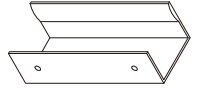
12 pcs

4



2 pcs

5



2 pcs

6



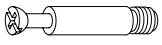
∅ 3*12

16 pcs



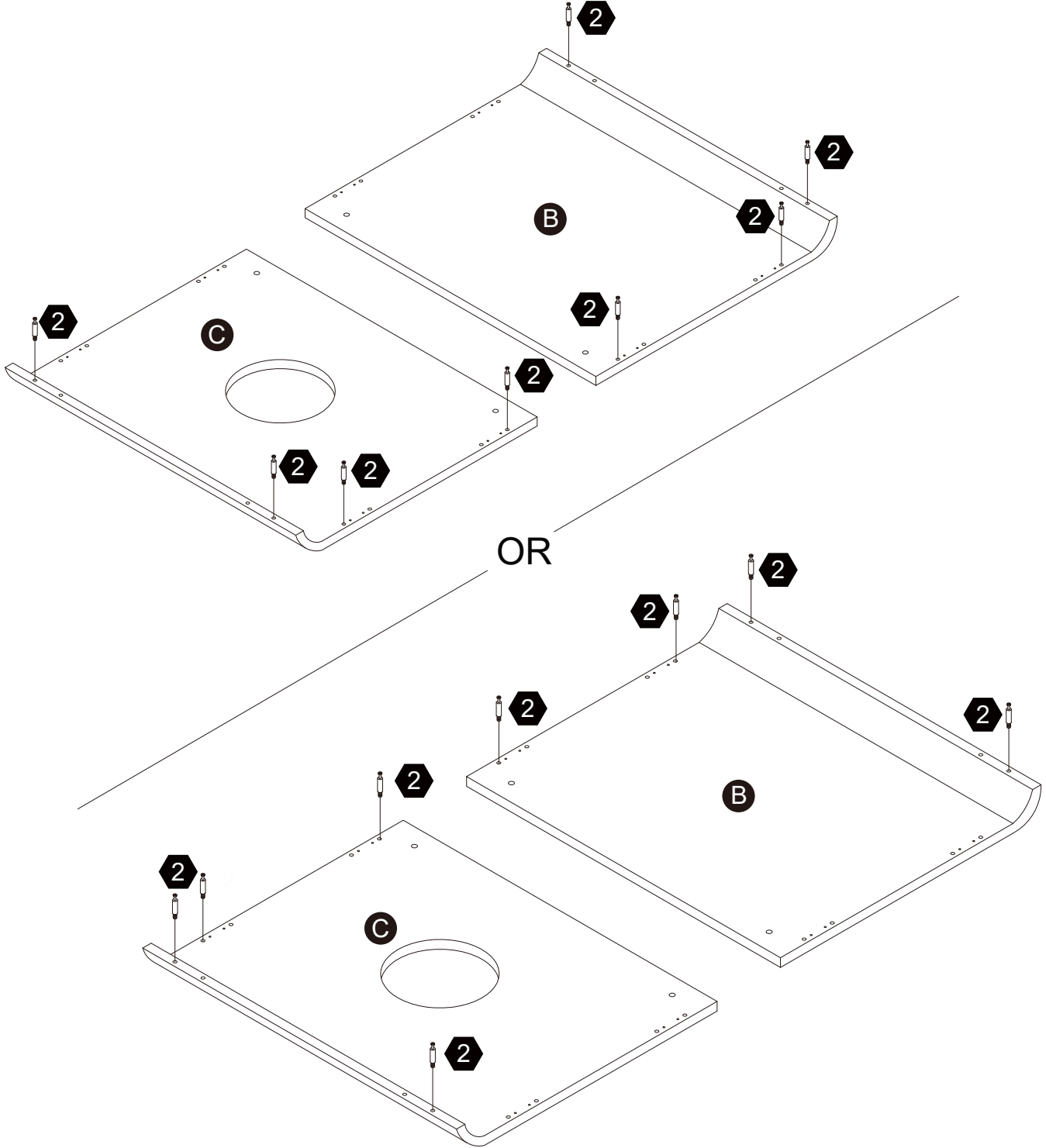
Questions?
Scan Here

Step 1



2

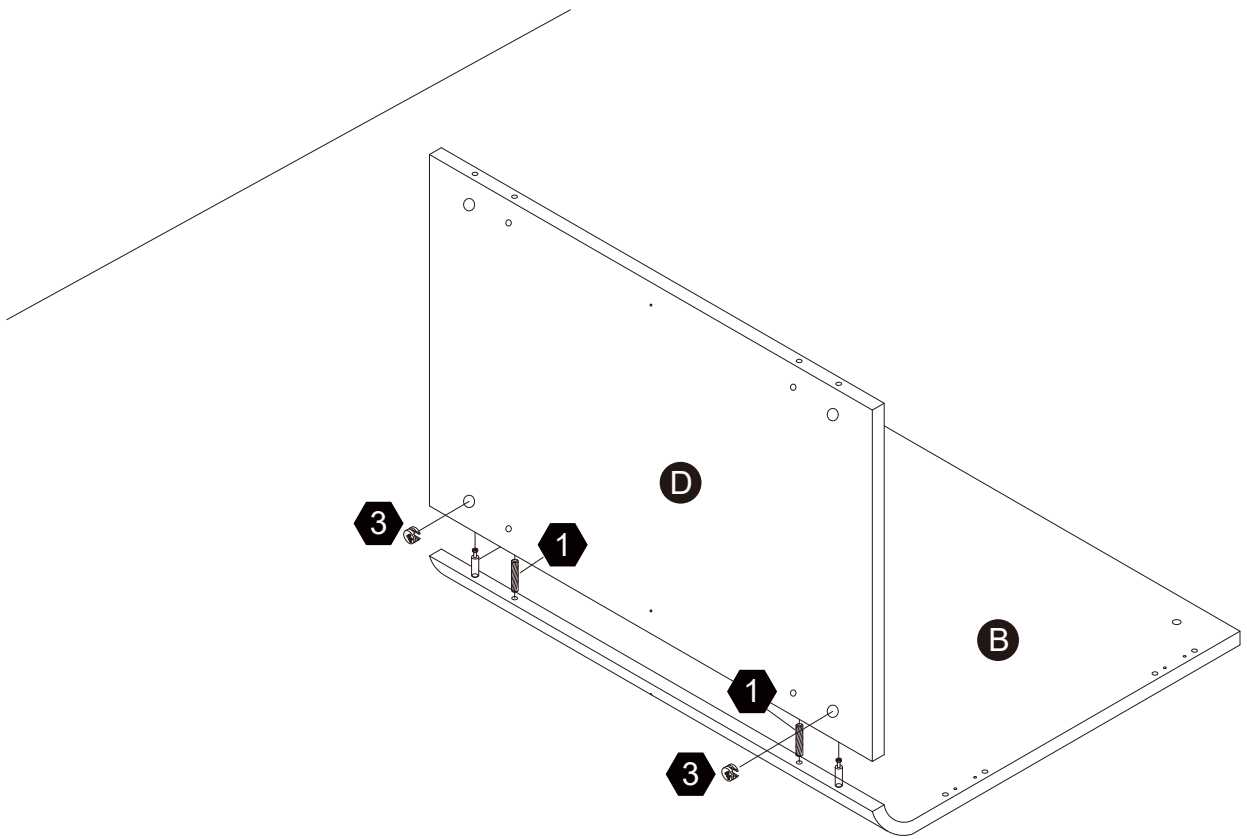
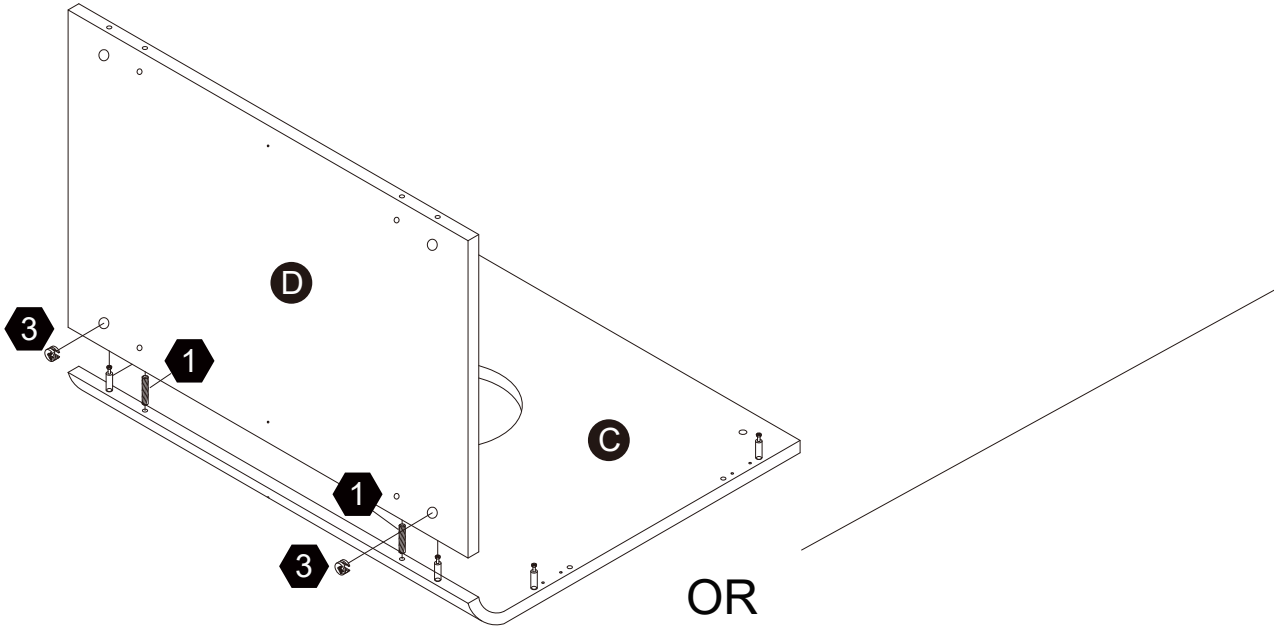
8 pcs



Questions?
Scan Here

Step 2

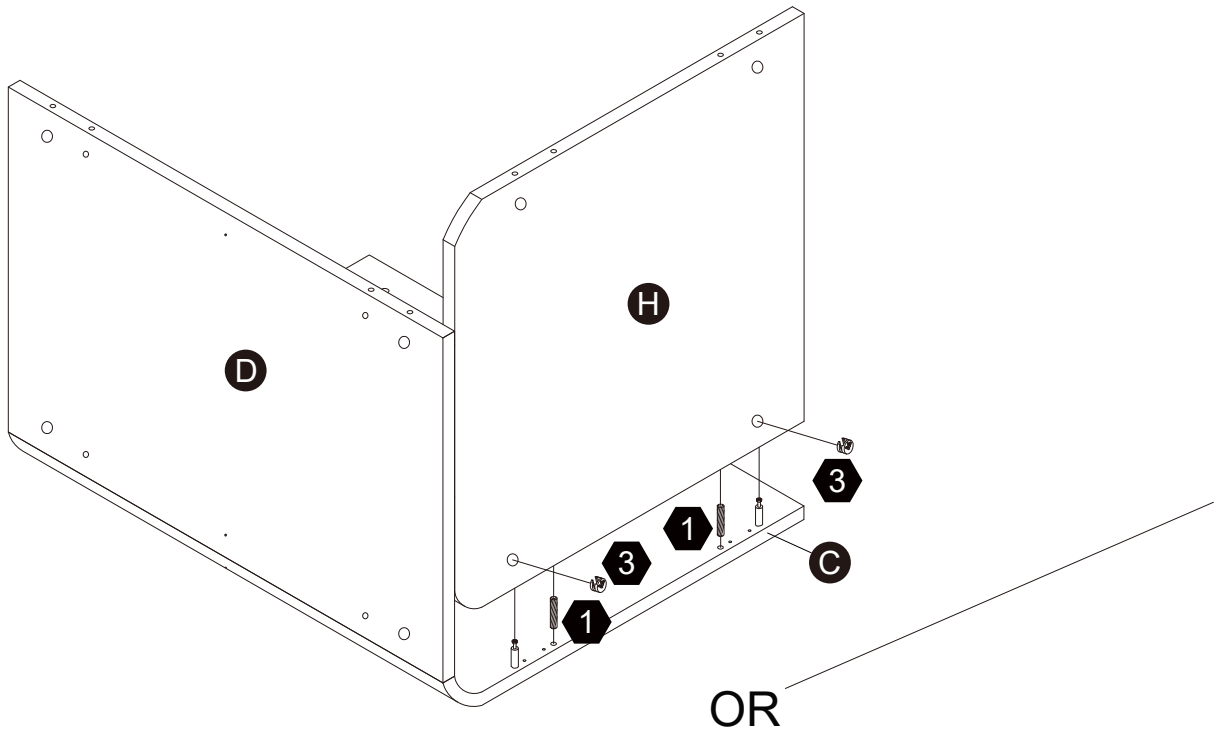
 <p>1 $\phi 8 \times 30$ 2 pcs</p>	 <p>3 $\phi 15 \times 12$ 2 pcs</p>		
--	---	--	--



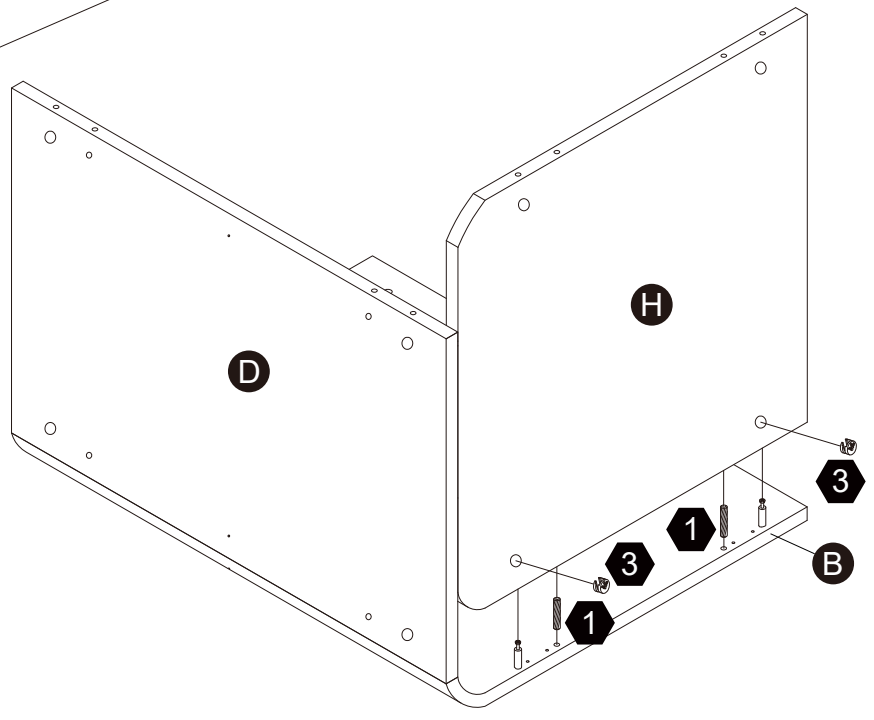
Questions?
Scan Here

Step 3

 Ø 8×30 1 2 pcs	 Ø 15×12 3 2 pcs		
---	--	--	--

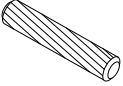



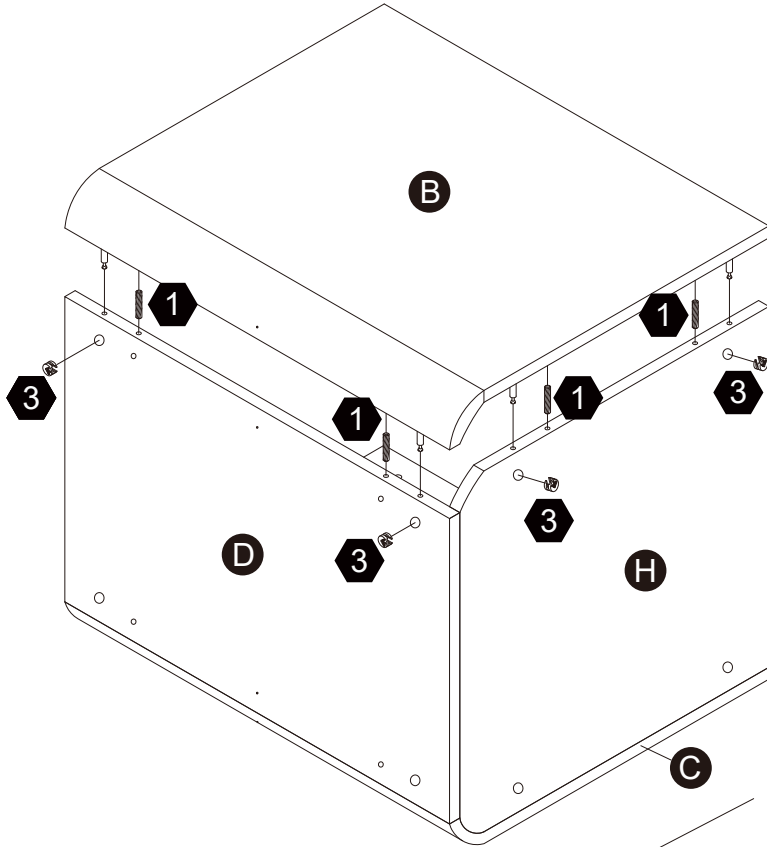
OR



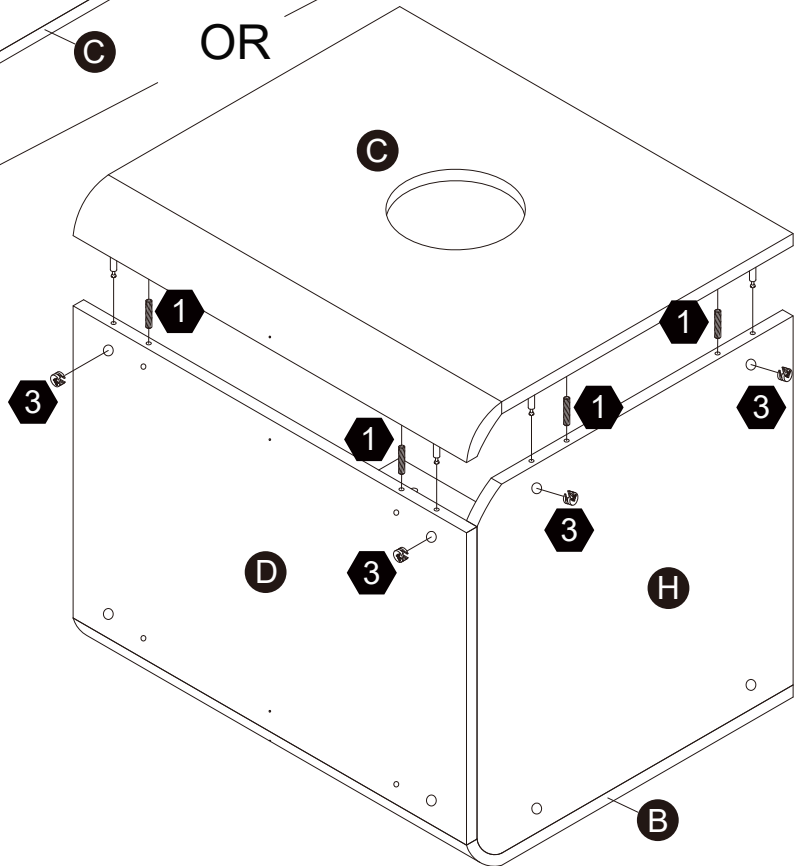
Questions?
Scan Here

Step 4

 <p>1 $\phi 8 \times 30$ 4 pcs</p>	 <p>3 $\phi 15 \times 12$ 4 pcs</p>		
--	---	--	--



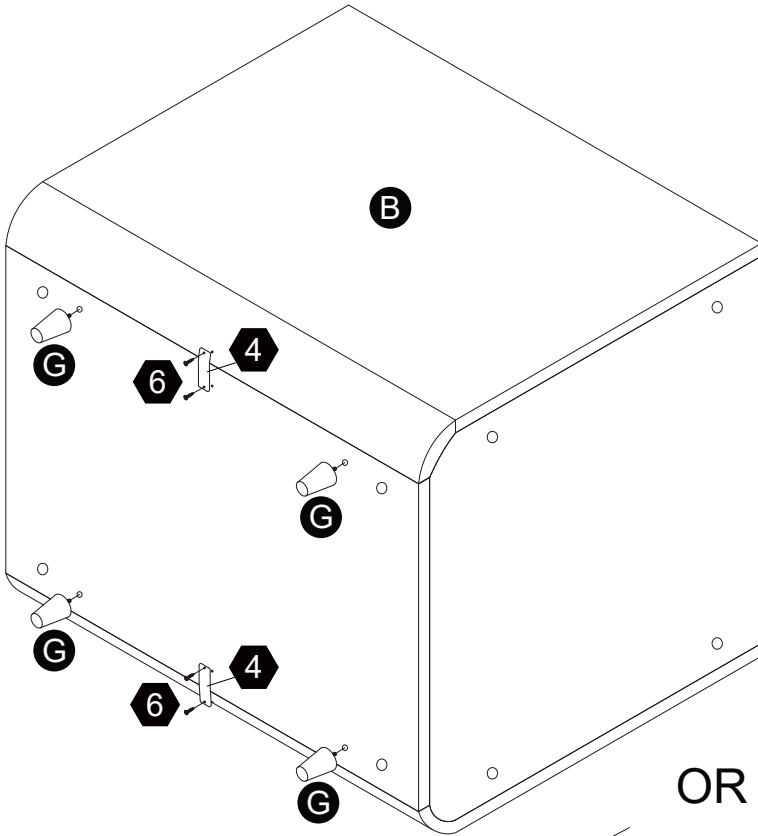
OR



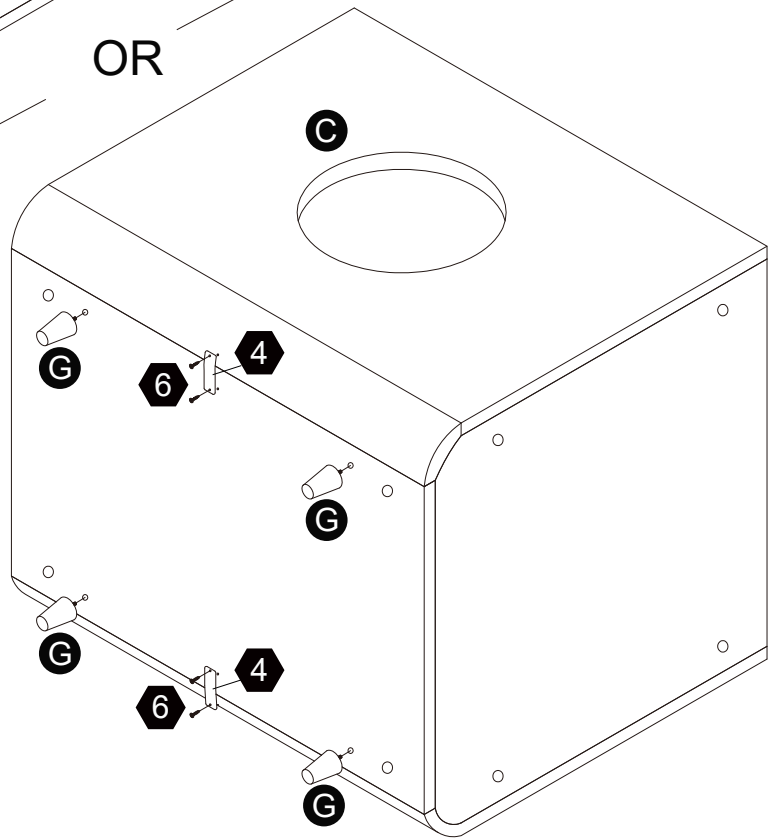
Questions?
Scan Here

Step 5

 4 2 pcs	 6 4 pcs		
---	---	--	--

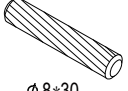
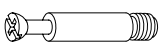


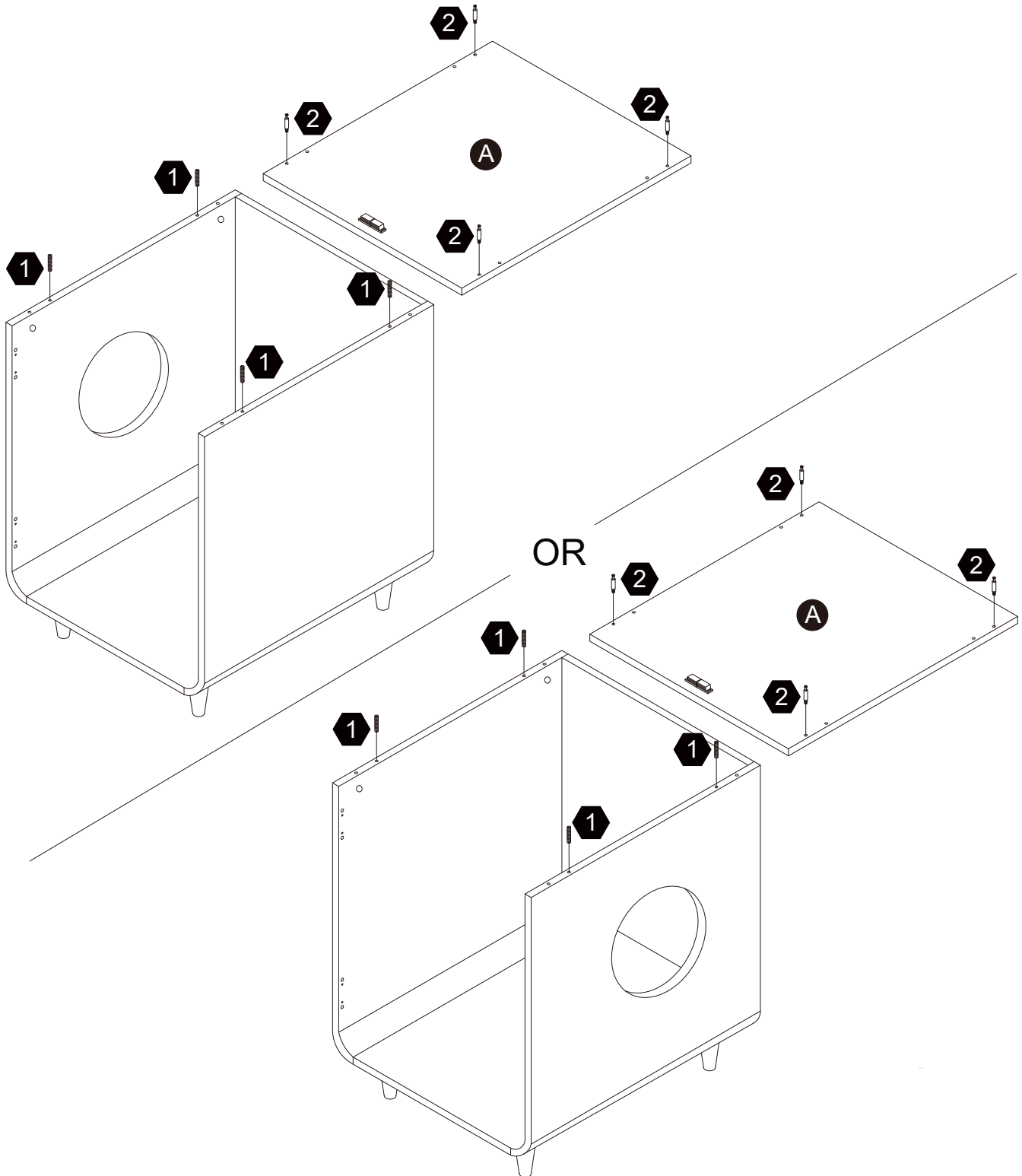
OR



Questions?
Scan Here


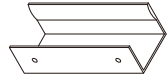
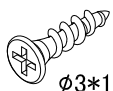
Step 6

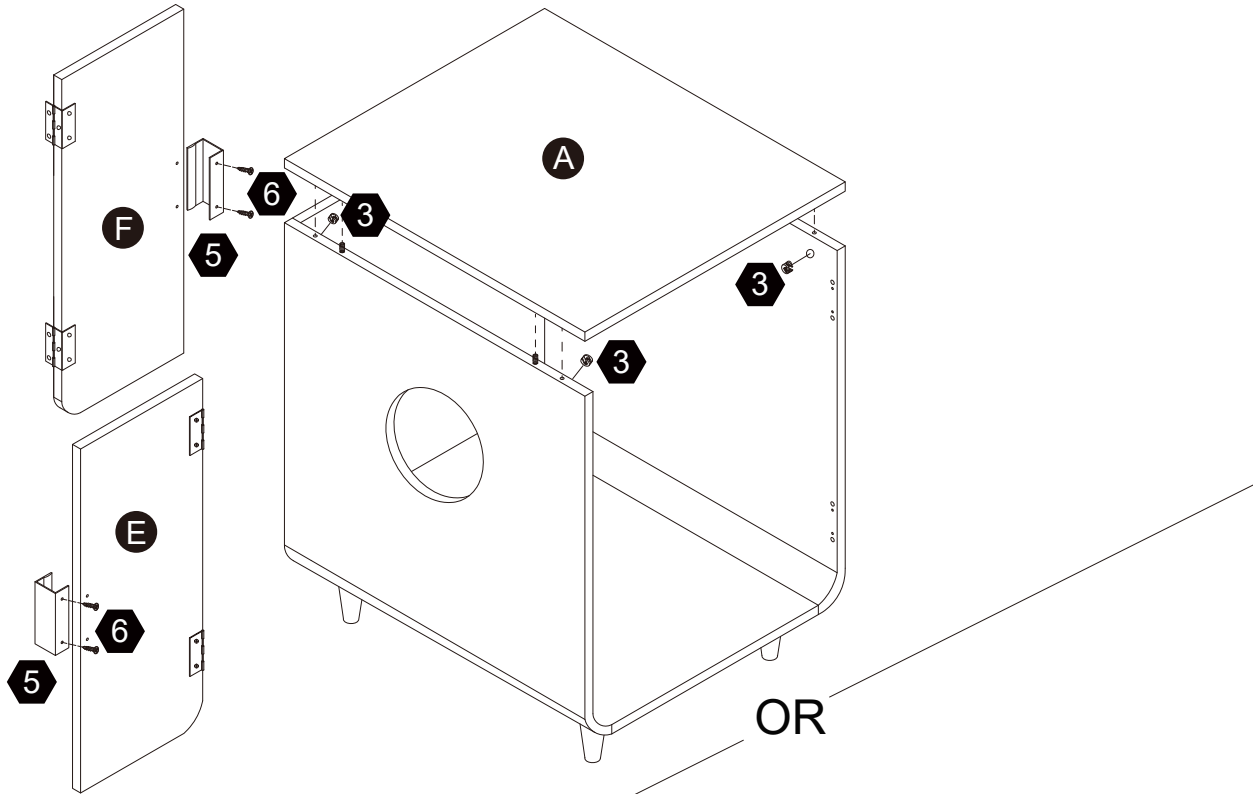
 Ø 8×30 1 4 pcs	 2 4 pcs		
---	---	--	--



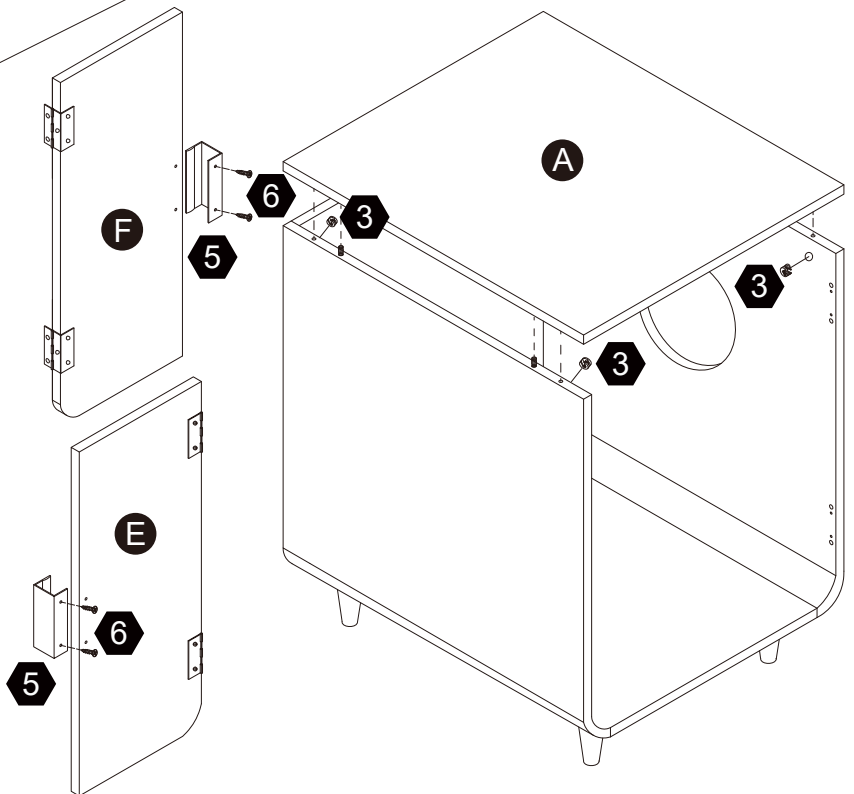
Questions?
Scan Here

Step 7

 Ø 15*12 3 4 pcs	 5 2 pcs	 Ø3*12 6 4 pcs	
--	---	---	--

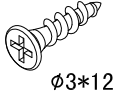


OR



Questions?
Scan Here

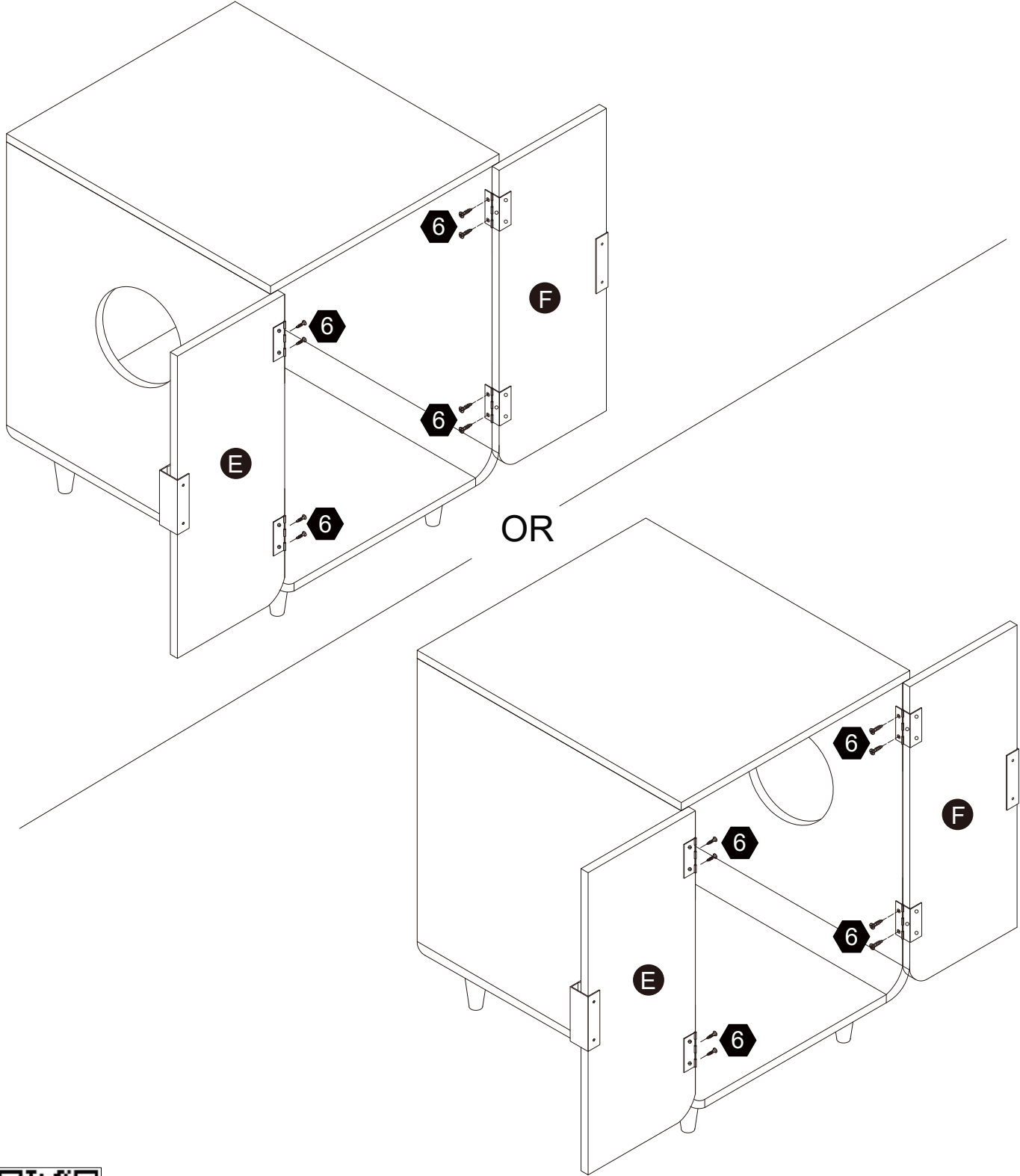
Step 8



Ø3*12

6

8 pcs



Questions?
Scan Here