

FLEXSTEEL®

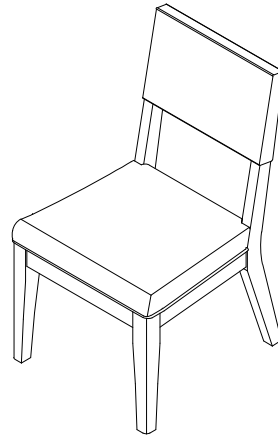
W1077-840

Dining Chair

IMPORTANT NOTE

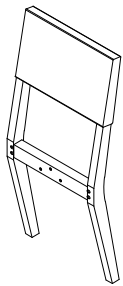
Carefully remove all the parts from the carton and put them individually on a soft cloth to prevent damage to the parts.

We have taken great care in the design of this product and request that you carefully and strictly follow our assembly instructions to ensure a completed product as it was designed.

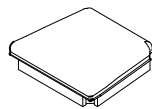


Part List

Assembly Instructions 1/3



A. Backrest
1 piece



B. Seat Cushion
1 piece



C. Front Leg
2 pieces

Hardware List



1. Flat Washer
Φ5/16*19*1.5mm
11 pieces



2. Spring Washer
Φ5/16"
11 pieces



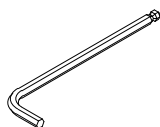
3. Long Bolt
Φ5/16" - 18 UNC*89mm
4 pieces



4. Medium Bolt
Φ5/16" - 18 UNC*64mm
4 pieces



5. Short Bolt
Φ5/16" - 18 UNC*51mm
3 pieces



6. Hex Key
110*25*4mm
1 piece

Tool(s) recommended for assembly: Level

IMPORTANT NOTES

- Do not tighten up all the bolts until each part is properly assembled.
- Keep the Hex Key in a safe place as you may need to tighten up the bolts in the future.
- Use a soft cloth between these parts and the floor.
- We recommend this product be assembled by at least two adults.

STEP 1

To assemble the chair, lay the Backrest (A) flat on a soft cloth, secure Seat Cushion (B) to the legs of Backrest (A) with 4 Long Bolt (3), 4 Spring Washer (2) and 4 Flat Washer (1), tighten with Hex Key (6). (See Figure 1).

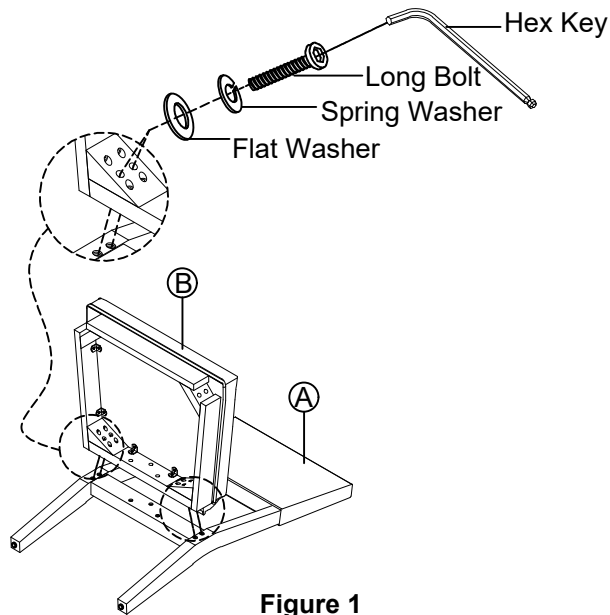


Figure 1

STEP 2

Fix Seat Cushion (B) with stretcher of Backrest (A) by 3 Short Bolt (5), 3 Spring Washer (2) and 3 Flat Washer (1), tighten with Hex Key (6). (See Figure 2).

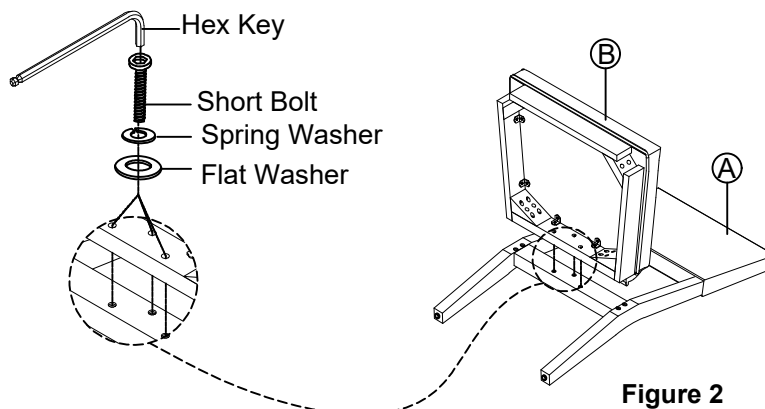
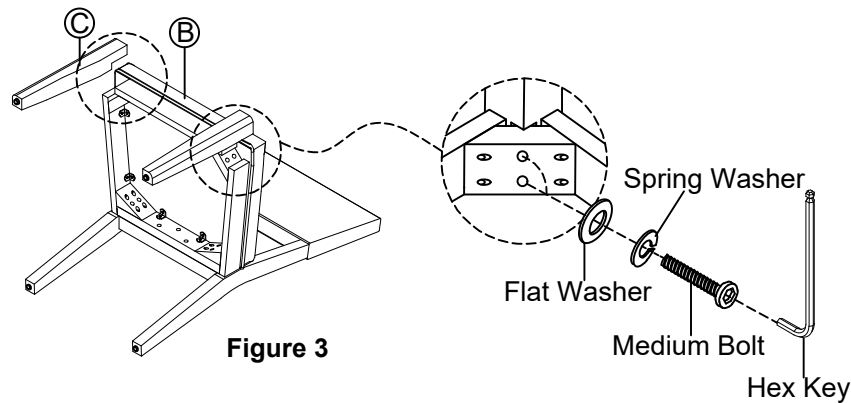


Figure 2

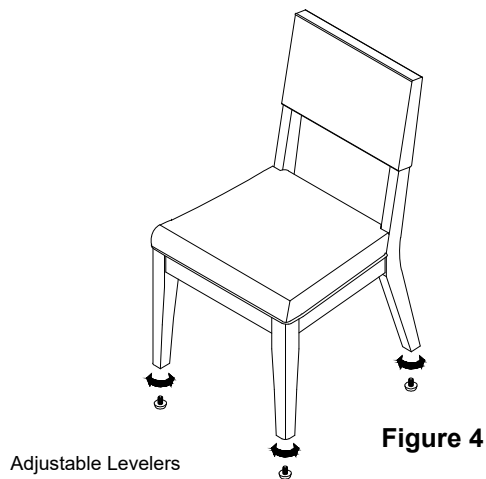
STEP 3

Assemble Front Leg (C) to Seat Cushion (B) with 2 Medium Bolt (4), 2 Spring Washer (2) and 2 Flat Washer (1), tighten with Hex Key (6). Repeat this step on the other leg. (See Figure 3).



STEP 4

Flip Chair over and adjust the levelers on the legs until the furniture is leveled. (See Figure 4).



CARE INSTRUCTIONS

- To avoid scratches, do not place sharp or jagged objects directly on the table top.
- Do not place hot items directly on the tabletop.
- Use placemats or trivets under hot items and coasters under beverages to prevent marks and stains.
- Avoid the use of harsh chemicals or abrasive cleaning materials.
- Wipe the table clean with a soft, dry cloth after each use.
- Wipe up spills quickly with a soft, dry cloth.

Flexsteel Industries, Inc.

For Parts or Customer Service call toll-free: 1-888-415-3979

Monday-Friday, 8:00-5:00pm Central Time

Email: customersolutions@flexsteel.com

www.flexsteel.com