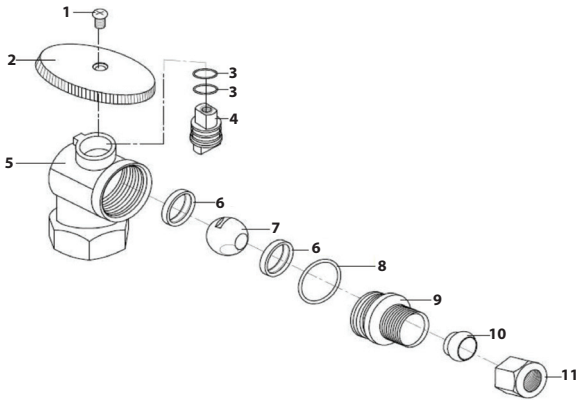




3/8" FIP X 3/8" OD COMP QUARTER-TURN ANGLE SUPPLY STOP VALVE

- Quarter-turn oval style handle
- Angle stop design typically used when water supply pipe comes from the wall
- Lead Law Compliant
- Meets or exceeds NSF/ANSI 372-2016, NSF/ANSI 61-2016, ASME A112.18.1-2018/CSA B125.1-18, Safe Drinking Water Act Section 1417(d) and Section 116875 of the California Health & Safety Code
- cUPC listed



PART NO.	FINISH
S4212BN	Brushed Nickel
S4212RB	Oil Rubbed Bronze
S4212WB	Old World Bronze

NO.	PART	MATERIAL
1	Screw	Stainless
2	Handle	Zinc
3	O-Ring	Rubber
4	Stem	Brass
5	Body	Brass
6	Seat	Teflon
7	Ball	Brass
8	O-Ring	Rubber
9	End Plug	Brass
10	3/8" Sleeve	Brass
11	3/8" Nut	Brass

