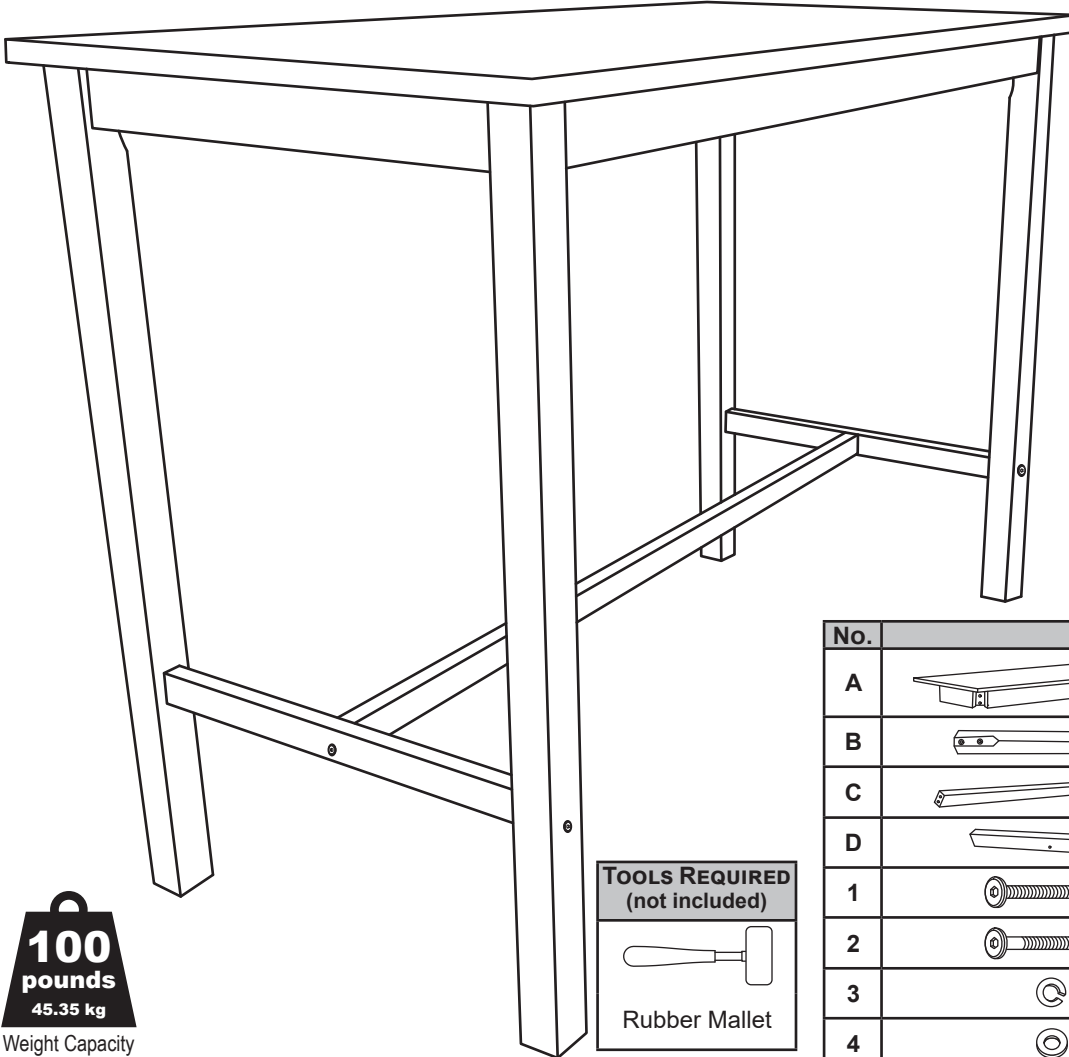



ARNOLD COUNTER-HEIGHT DINING TABLE BWD-894


Carefully read all assembly and information in this manual before using this product. Save this manual for future reference.
Assemble components on a soft, clean surface to avoid damaging the finish.




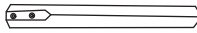






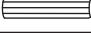
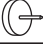

 Inspect packaging to ensure all parts are accounted for before disposing of packing materials.
📄 Save the packing slip.

100
pounds
45.35 kg
Weight Capacity

TOOLS REQUIRED
(not included)



Rubber Mallet

No.	PARTS		QTY.
A		Table Top	1
B		Leg	4
C		Center Support	1
D		Side Support	2
1		JCBC M6x60mm Bolt	12
2		JCBC M6x40mm Bolt	2
3		Split Washer	8
4		Flat Washer	8
5		8x30mm Wood Dowel	6
6		Tack Glide	4
7		Hex Key	1

⚠️ WARNING ⚠️

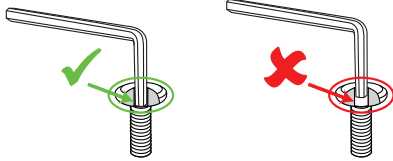
CHOKING HAZARD — This item contains small parts that can be swallowed. Keep children and pets away during assembly.

ⓘ HELPFUL HINT

Sunnydaze Decor advises reading this manual fully, and assembling the item soon after purchase. Check that all parts are accounted for and familiarize yourself with the assembly before beginning.

NOTE: Over time and with use, the bolts may become loose. Save the included tool for tightening loosened hardware.

ASSEMBLY

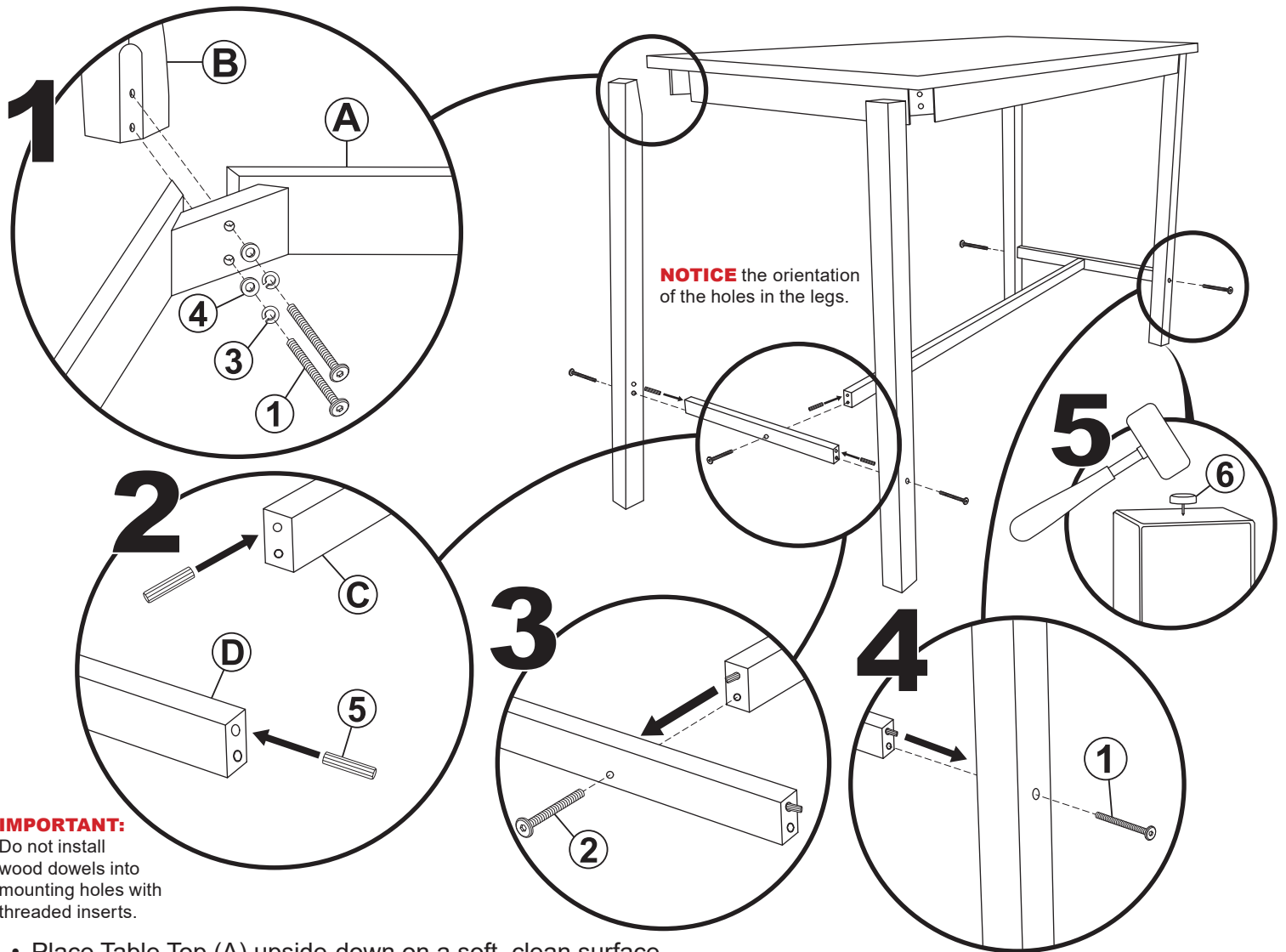


Tip: Always fully insert the hex key inside the designated notch of the bolt.

If the hex key is not entirely inside the notch, the hex key could slip out, causing damage to the bolt head. In addition, repeated hex key slipping will cause the notch to become rounded, making it difficult or impossible to tighten the bolt.

Review all steps and understand assembly before beginning.

Do not fully tighten hardware until all frame components have been loosely assembled.



IMPORTANT:

Do not install wood dowels into mounting holes with threaded inserts.

- Place Table Top (A) upside-down on a soft, clean surface.
- Identify the correct orientation for each table leg, ensuring the side of the leg that has two holes faces inward on the short side of the table, as shown above. Align Leg (B) with the corner of the table top and loosely fasten using two sets of Flat Washer (4), Split Washer (3), and JCBC M6x60mm Bolt (1) as shown. Repeat until all legs have been loosely attached.
- Insert 8x30mm Wood Dowels (5) into the top holes of Center Support (C), as shown. Insert remaining Wood Dowels (5) into the top holes of Side Supports (D).
- Align the dowels in the center support with the mounting holes in the middle of the side supports. Then, secure the side supports to the center supports using JCBC M6x40mm Bolts (2).
- Align the side supports with the table legs and secure using JCBC M6x60mm Bolts (1) as shown.
- Fully tighten all hardware.
- Ensuring it is centered, install one Tack Glide (6) into the bottom of each leg.

Care & Maintenance



Clean the furniture using a dry, soft cloth or clean feather duster.



Remove stains with a slightly damp cloth and mild soap. Dry with a soft cloth to prevent water damage.



Do not clean with harsh cleansers or polish.



Do not put hot items or any liquids directly on the furniture surface.

! SAFETY STATEMENTS & WARNINGS !

- For indoor use only.
- This product is for residential use only; institutional or commercial use will automatically void the product warranty.
- Ensure fittings are tight before use. Periodically check fitting to ensure they are tight.
- Do not sit, stand or climb on any part of this unit.
- Do not exceed the weight capacity of this item.
- Do not place liquids or hot items directly on the unit.
- Never use chemical cleaning products or polishes as they may damage the finish.
- Avoid long-term exposure to sunlight.
- Avoid placing near heating or cooling vents as forced air is be very drying and could damage the wood.
- Use a padded barrier to protect the furniture surface when using writing utensils.

Any modification to the product or failure to follow recommended care will void the product warranty.

If you experience issues with assembly or the product was damaged during shipping, please contact our customer service team through one of the methods mentioned at the top of page 1.

Please have the item number and order information ready to expedite response time.

! NOTICE:

Manufacturer and seller expressly disclaim any and all liability from personal injury, property damage or loss, whether direct or indirect, or incidental, resulting from the incorrect attachment, improper use, inadequate maintenance, or neglect of this product.