

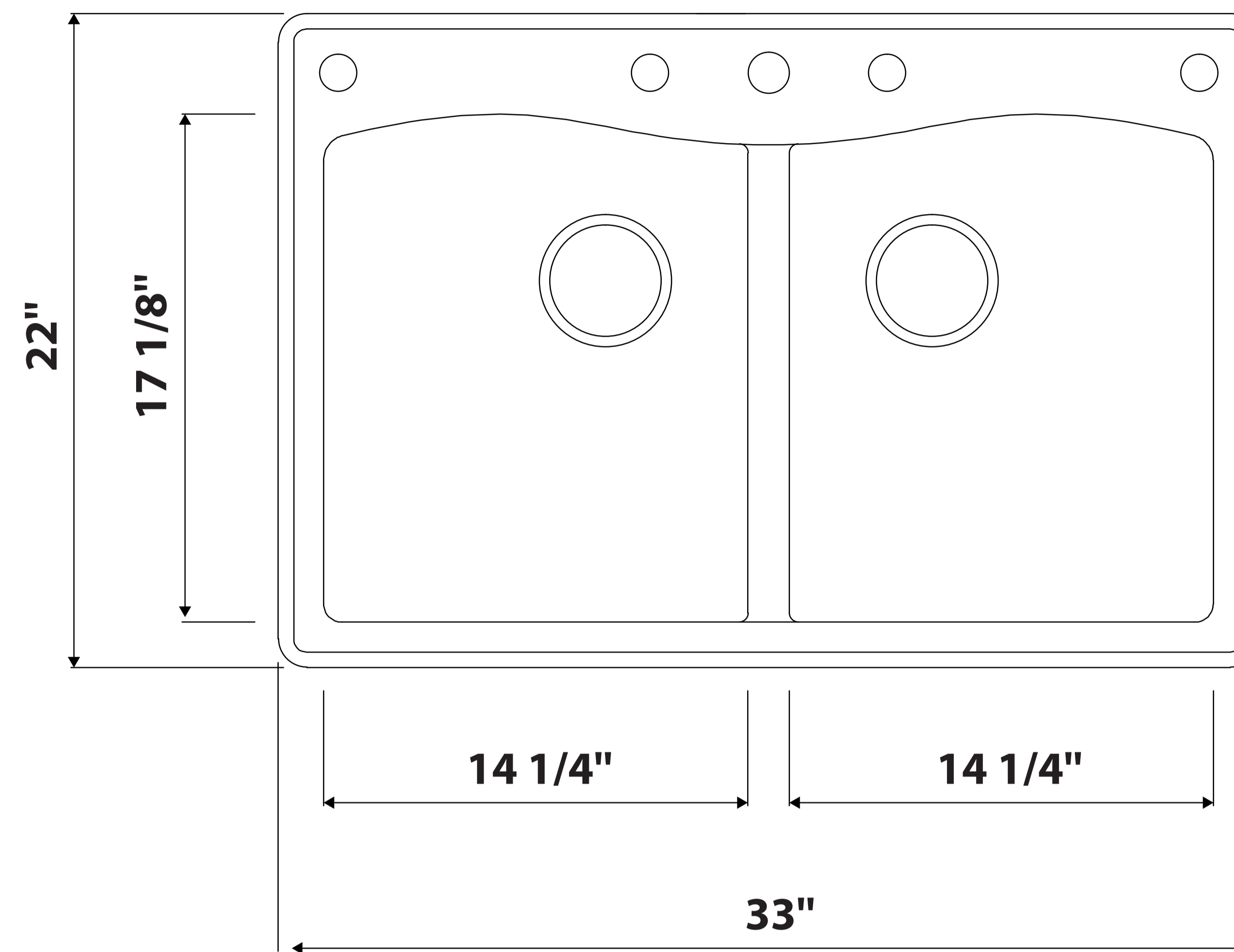
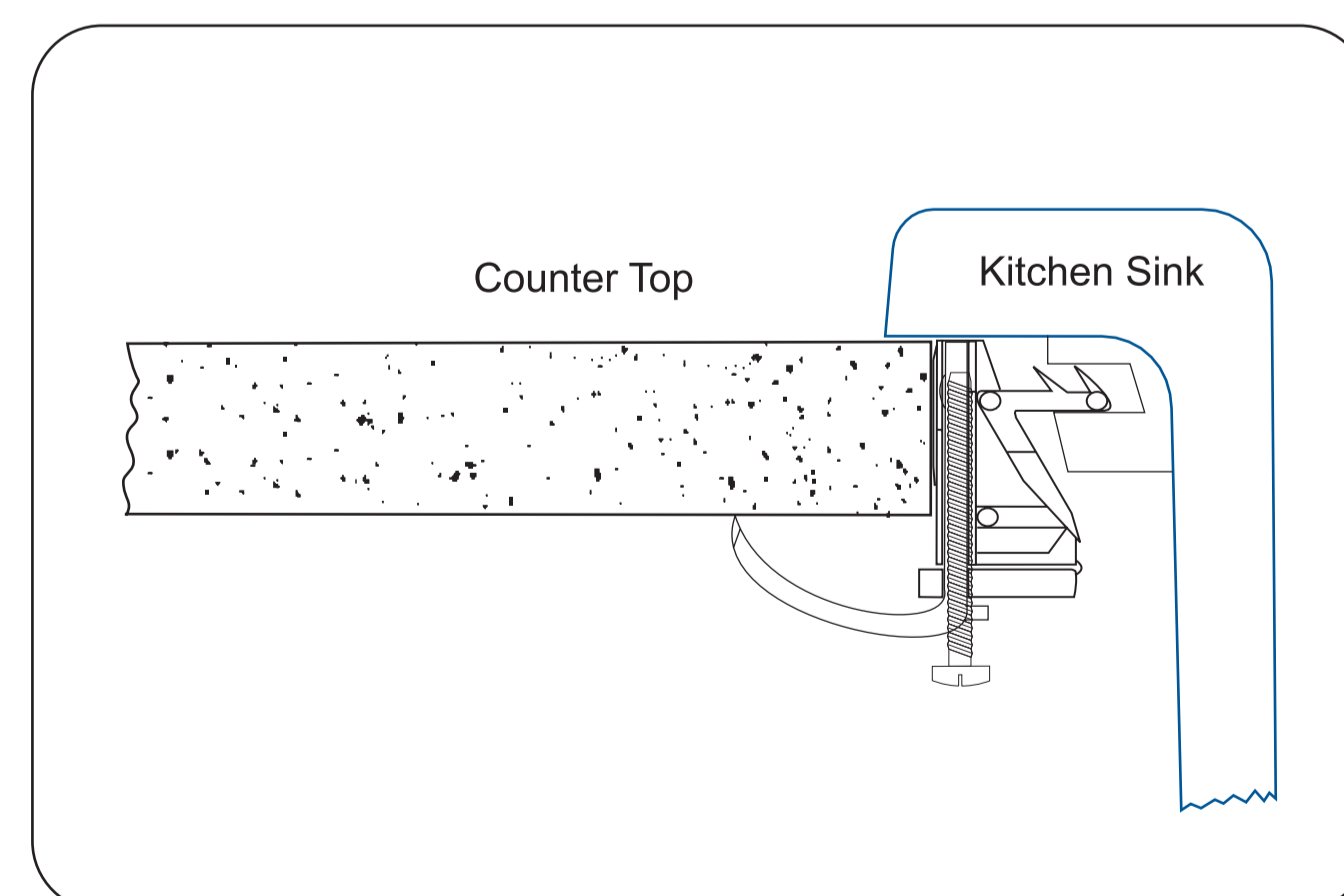
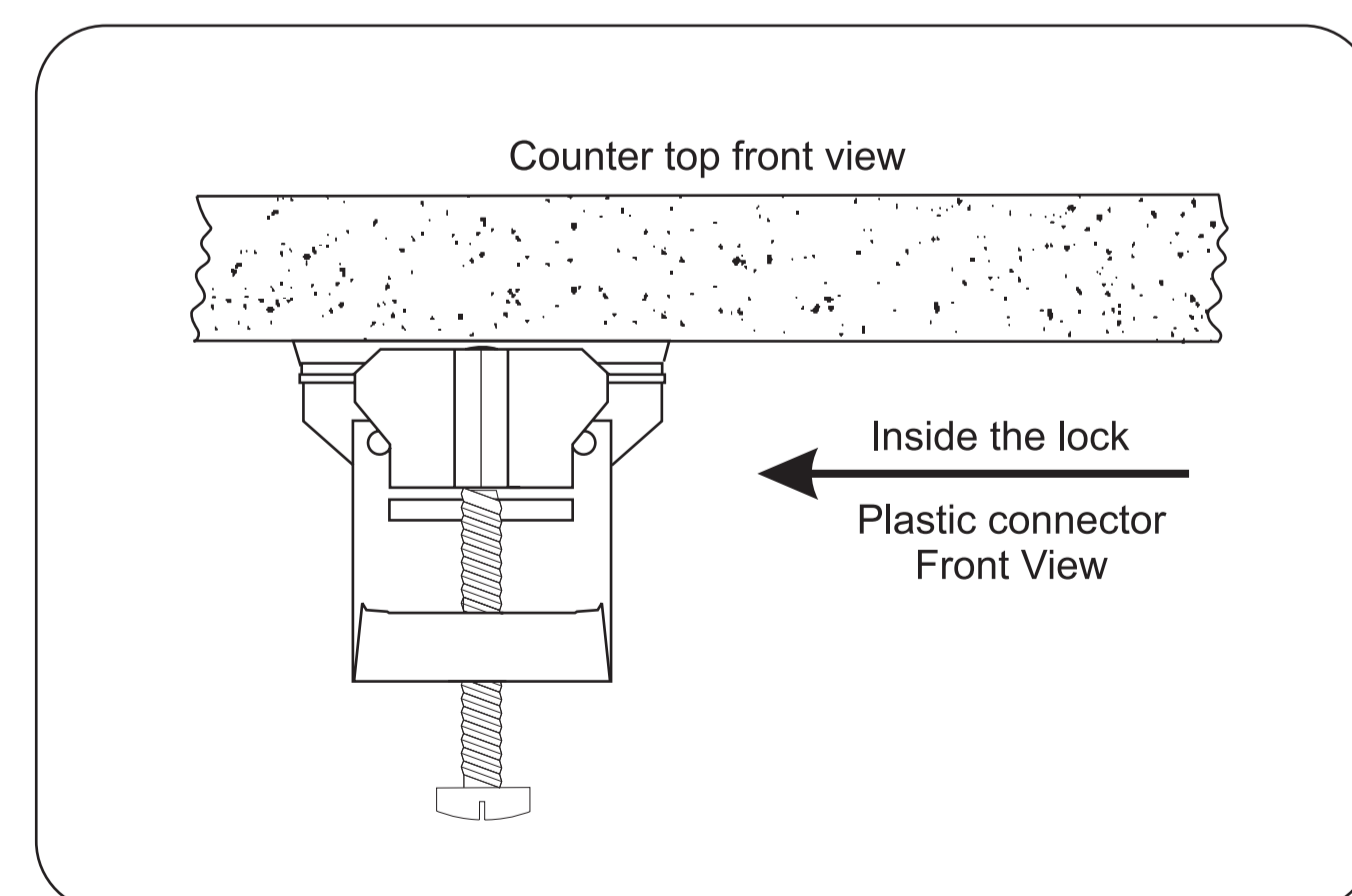
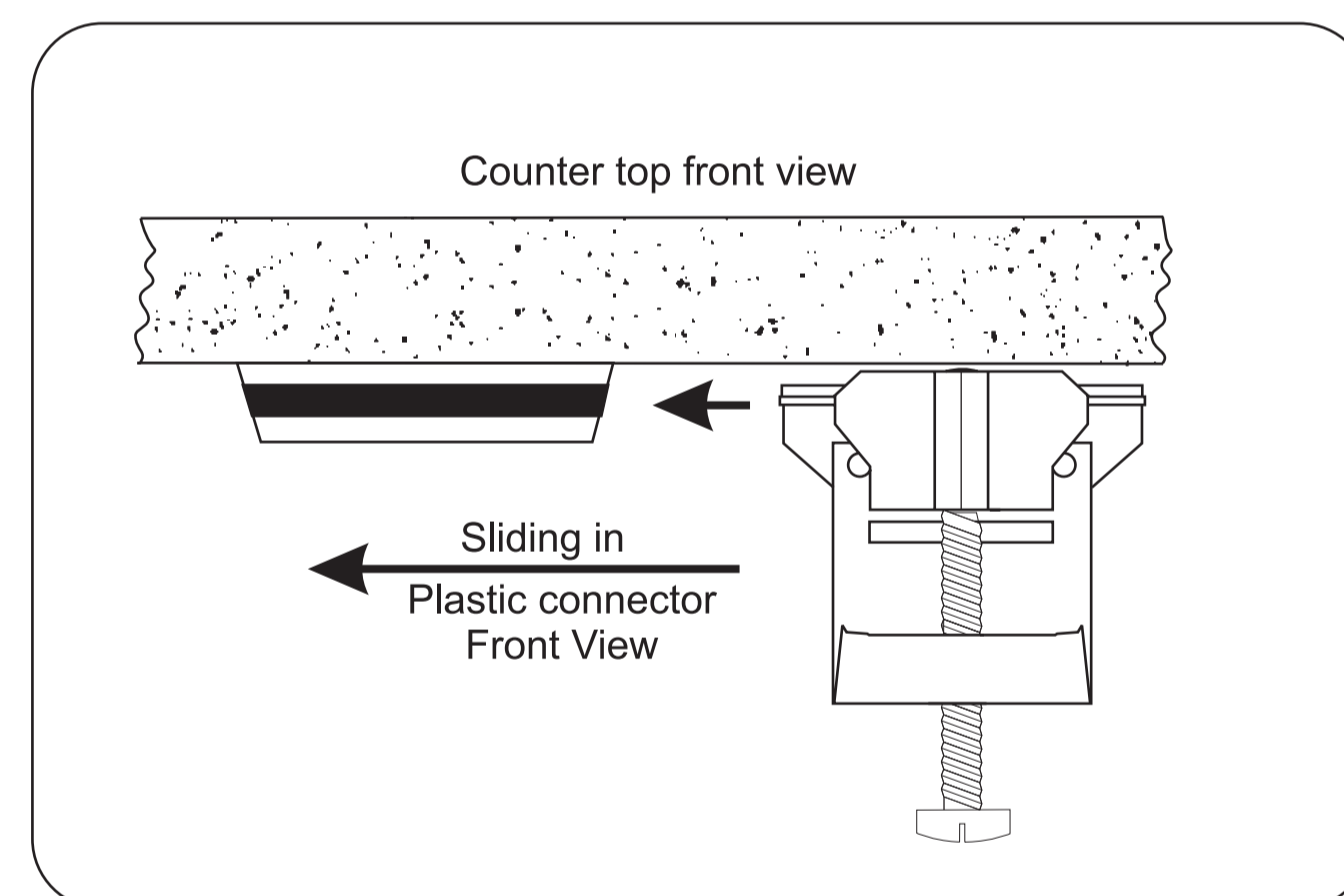
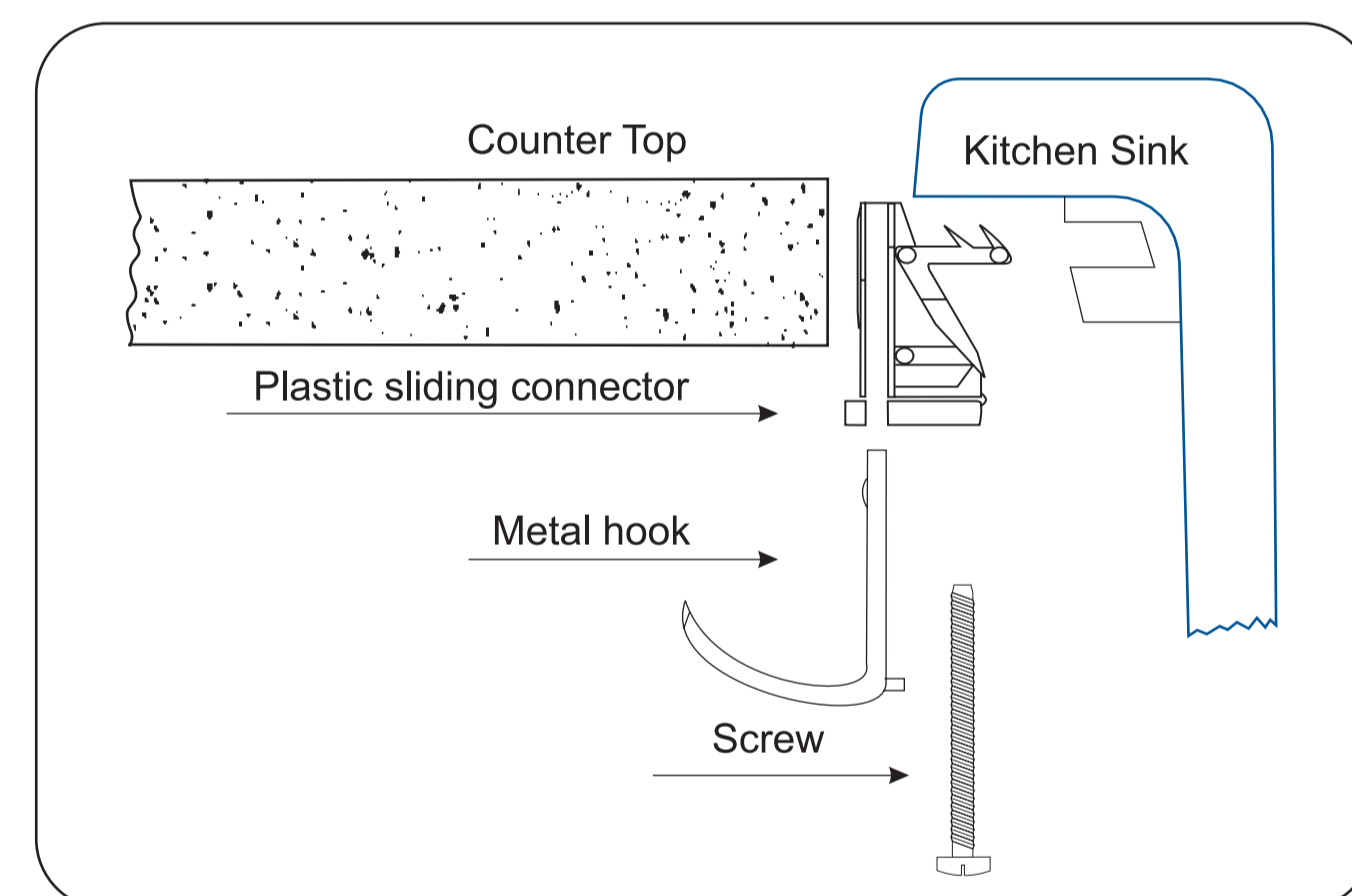
Kräus[®]

www.kraususa.com

**Model No.
KGD-52 (Topmount)**

Pro Hotline: 516.801.8955

Customer Service: 800.775.0703



NOTE: Cutout template is provided as a guide **ONLY** and must be checked against actual sink to verify correct fit.

Kräus[®]

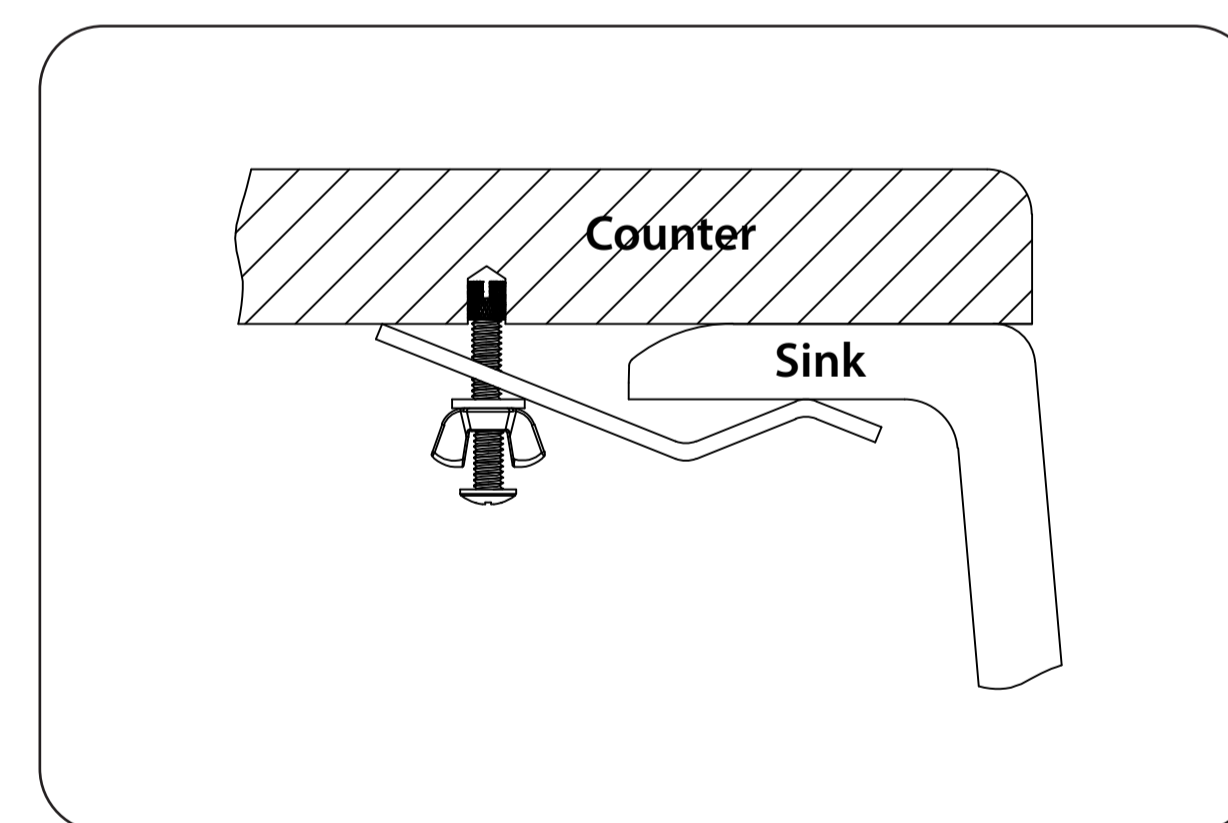
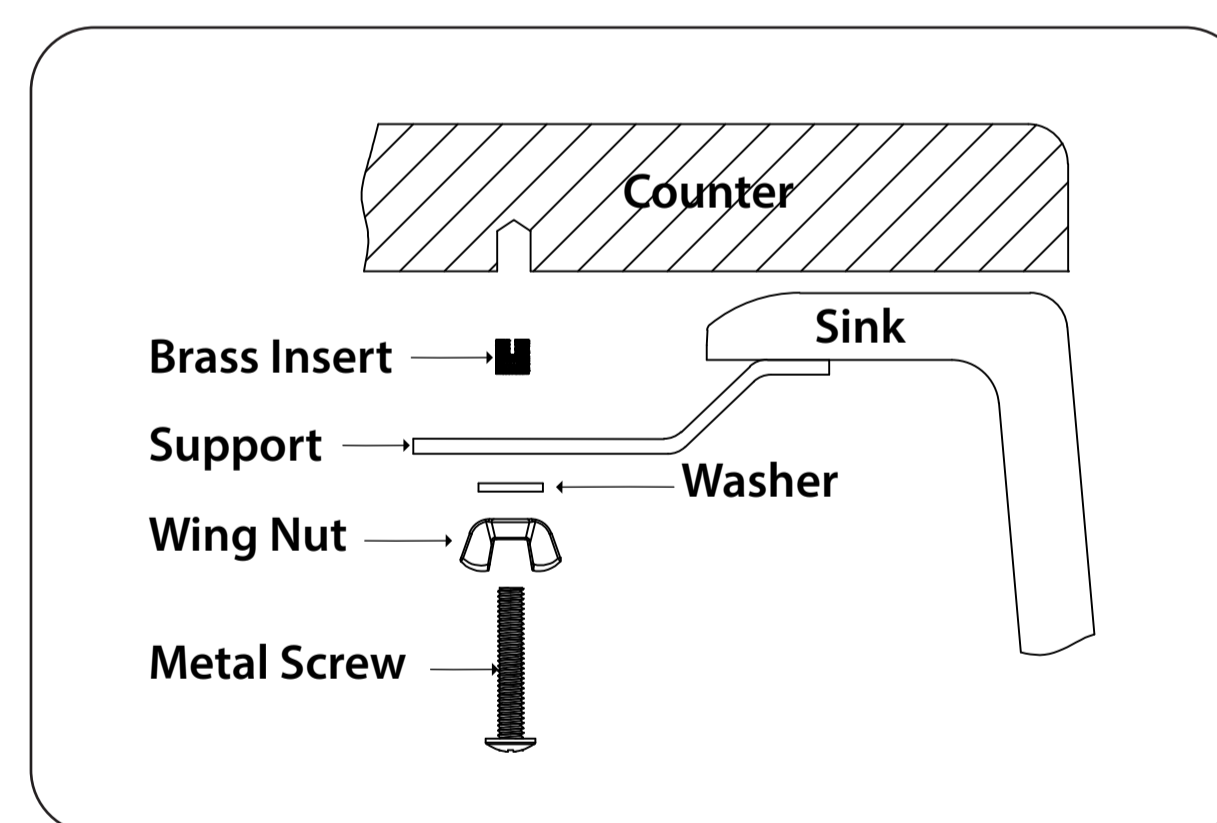
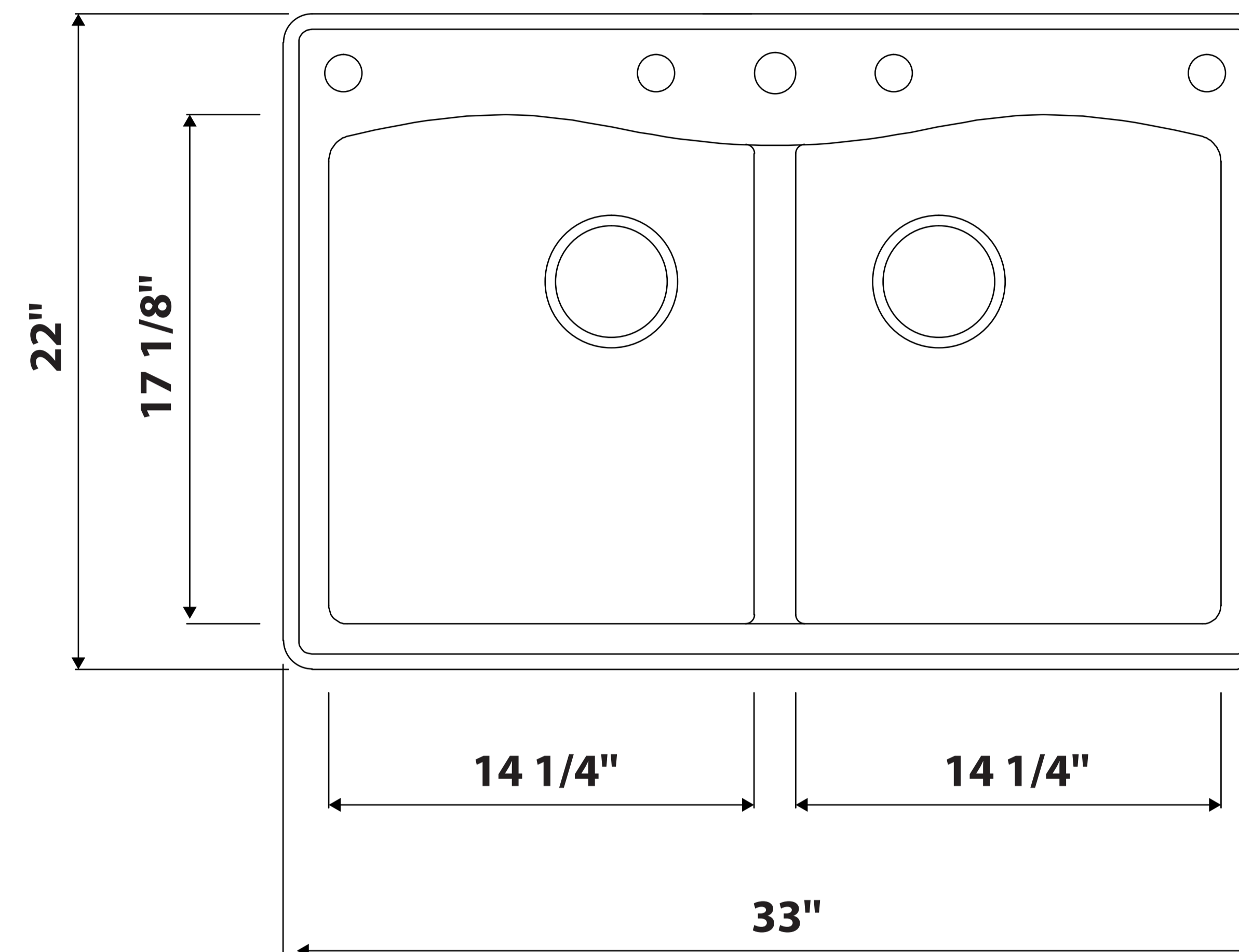
www.kraususa.com

Model No.

KGD-52 (Undermount)

Pro Hotline: 516.801.8955

Customer Service: 800.775.0703



NOTE: Cutout template is provided as a guide **ONLY** and must be checked against actual sink to verify correct fit.