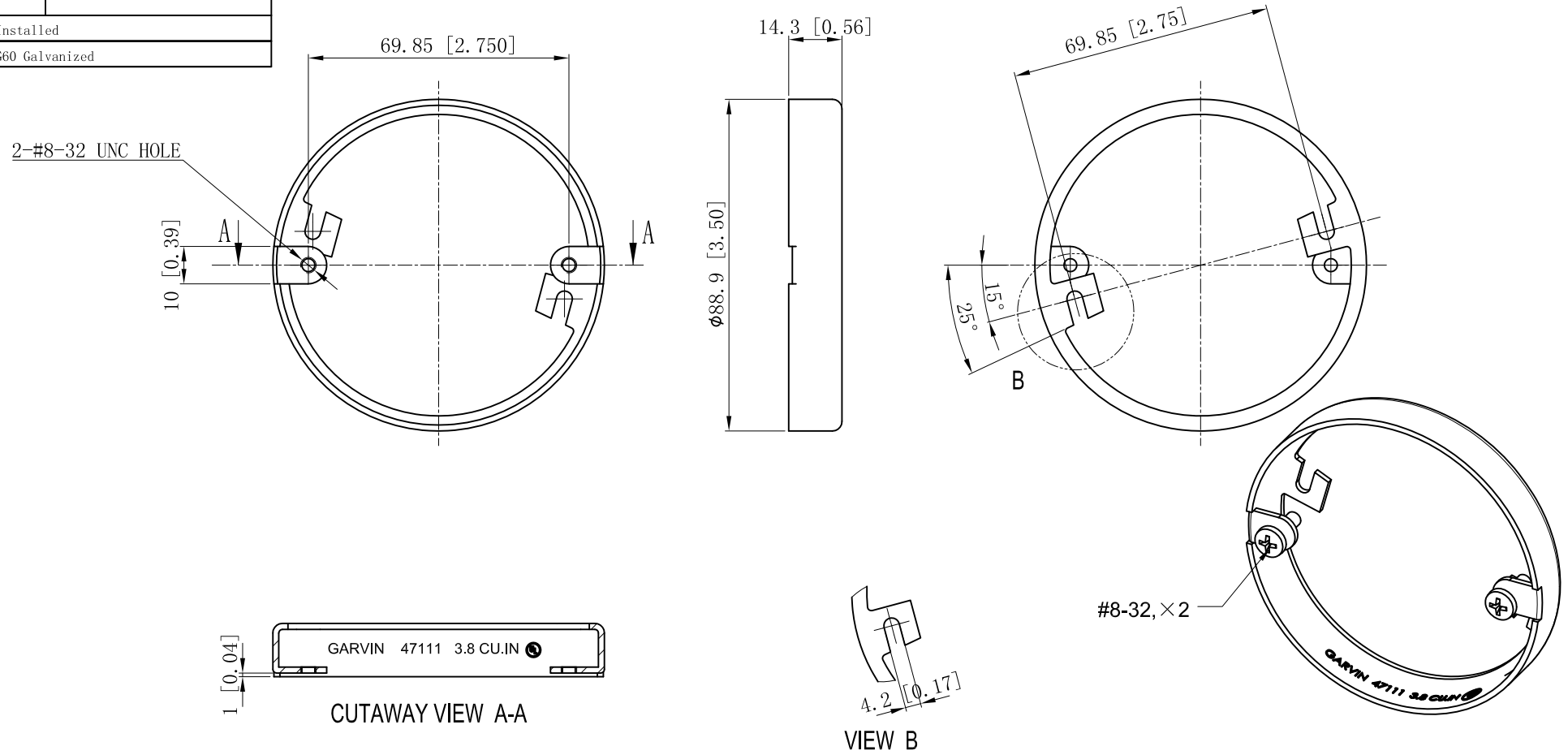


SIDES	BOTTOM
2 PCS 8-32×1/2 Screws Installed	
Material:Steel-0.0625"-G60 Galvanized	



This data sheet is for reference only .GARVIN INDUSTRIES reserves the right to make changes to the design without prior notice.

DESCRIPTION
TRADE REFERENCE TERMS

STANDARD PACKING	<h1 style="text-align: center;">GARVIN INDUSTRIES</h1>		
	TITLE "3-1/2"RND 1/2D PAN BX EXT RNG		
	SIZE A4	DWG NO. 47111	REV A
	DATA SHEET www.garvinindustries.com		