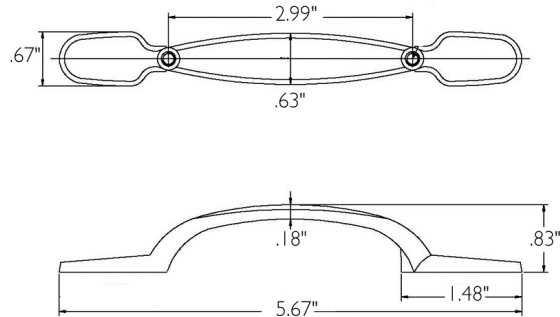


Deco Cabinet Pull 3" Hole Center 5-Pack  
Bronze



**SPECIFICATIONS**

MATERIAL CONSTRUCTION:	Zinc
MOUNTING HARDWARE INCLUDED:	Yes
TOOLS NEEDED FOR INSTALLATION:	Screwdriver
ASSEMBLED DIMENSIONS:	0.875" H x 4.6" L
CENTER TO CENTER:	3"
LEVER/PULL LENGTH:	4.6"
PROJECTION:	0.875"
KNOB DIAMETER:	N/A
ASSEMBLED WEIGHT:	0 lbs.

WARRANTY: 1-Year limited warranty  
 LEGAL FOR SALE IN CALIFORNIA: Yes



TYPE:  
 JOB:  
 ORDER CODE:  
 APPROVALS: