



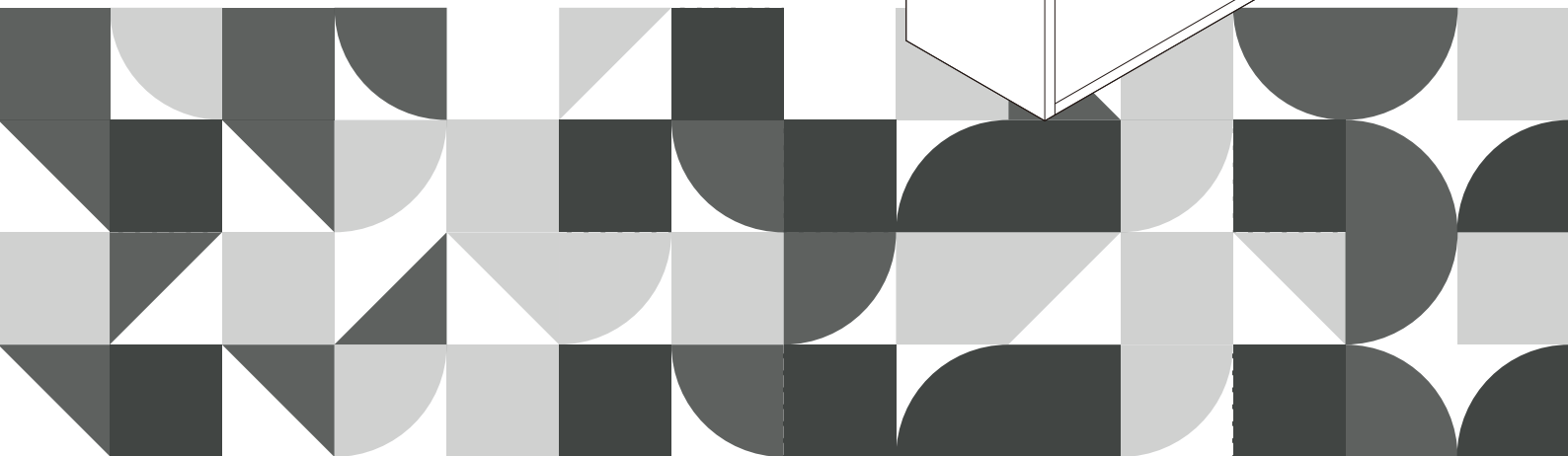
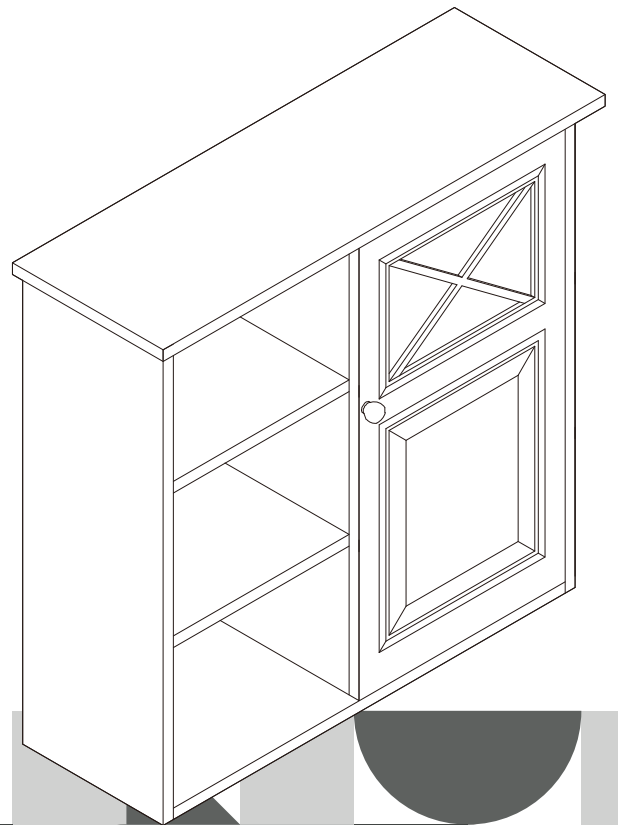
Extended Warranty
Sign Up

E-1

Welcome home!

6827

TEAMSON HOME
Dawson Wall Cabinet with
One Door & Shelves





**Questions? Comments? Need help?
Call or email us any time!**

Global Customer Service

USA

+1(800)935-3959

Mon - Fri 10:00am ~ 2:00pm EST

✉ support@teamson.com

EU/UK

+44(0)1952-916-050

Mon - Thu 9:00am ~ 5:00pm GMT

Friday 9:00am ~ 4:00pm GMT

✉ support@teamson.co.uk

ASIA

深圳办公室:

+86(0755)8885-3558.分机号331

Mon - Sat 9:00am ~ 5:00pm GMT+8

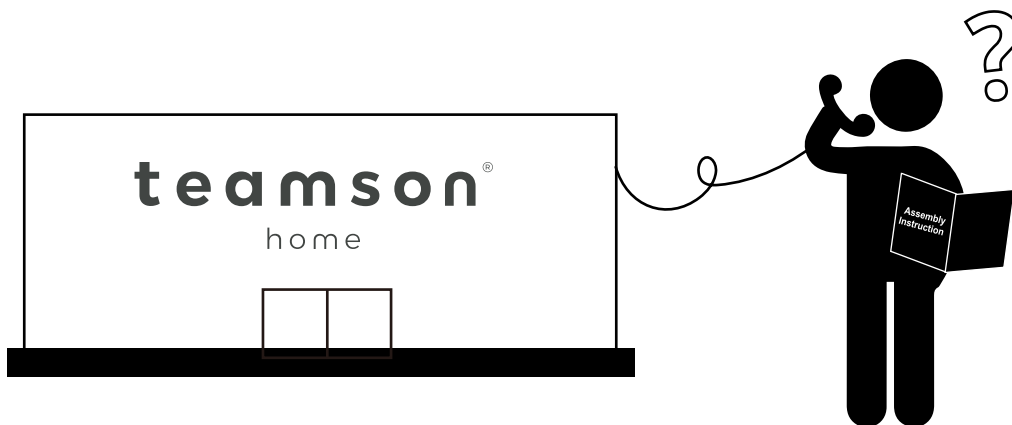
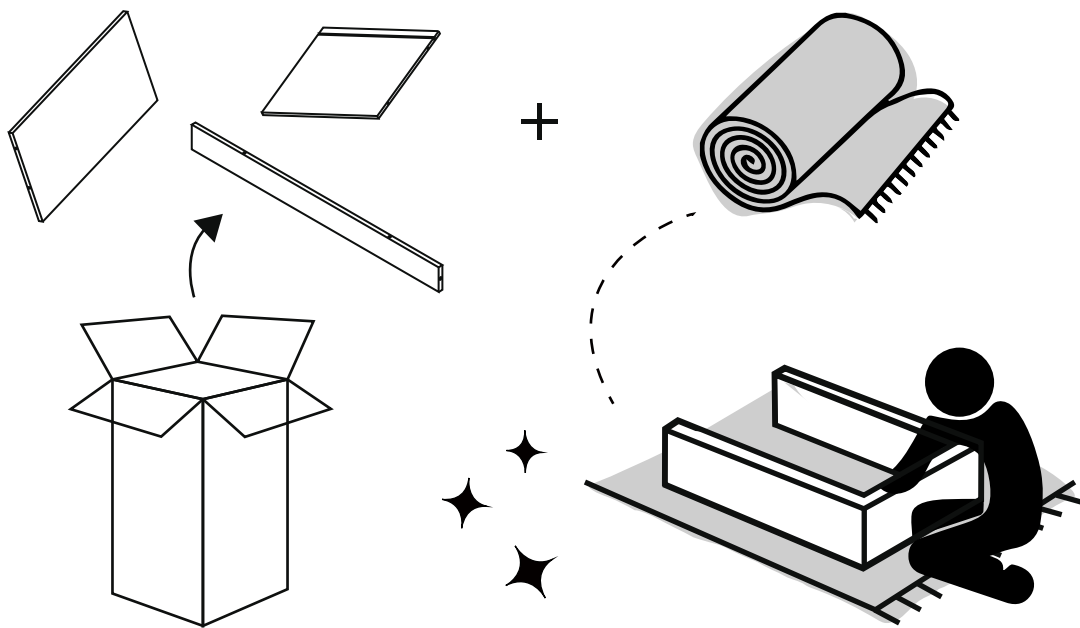
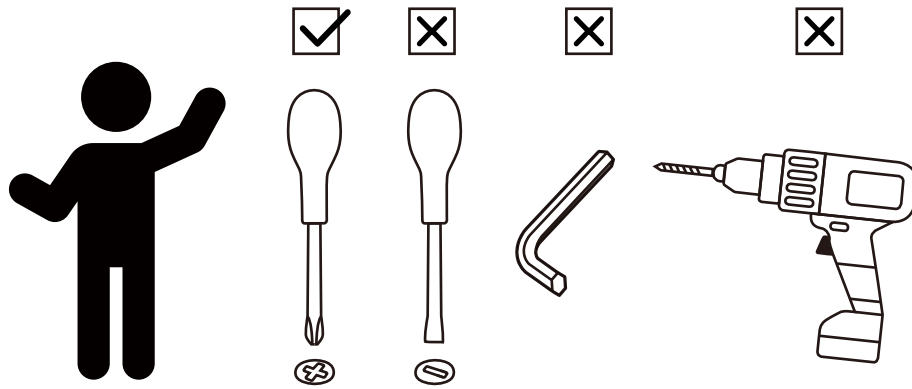
✉ sales_ec@teamson.com

台北办公室:

+886(2)2556-6268

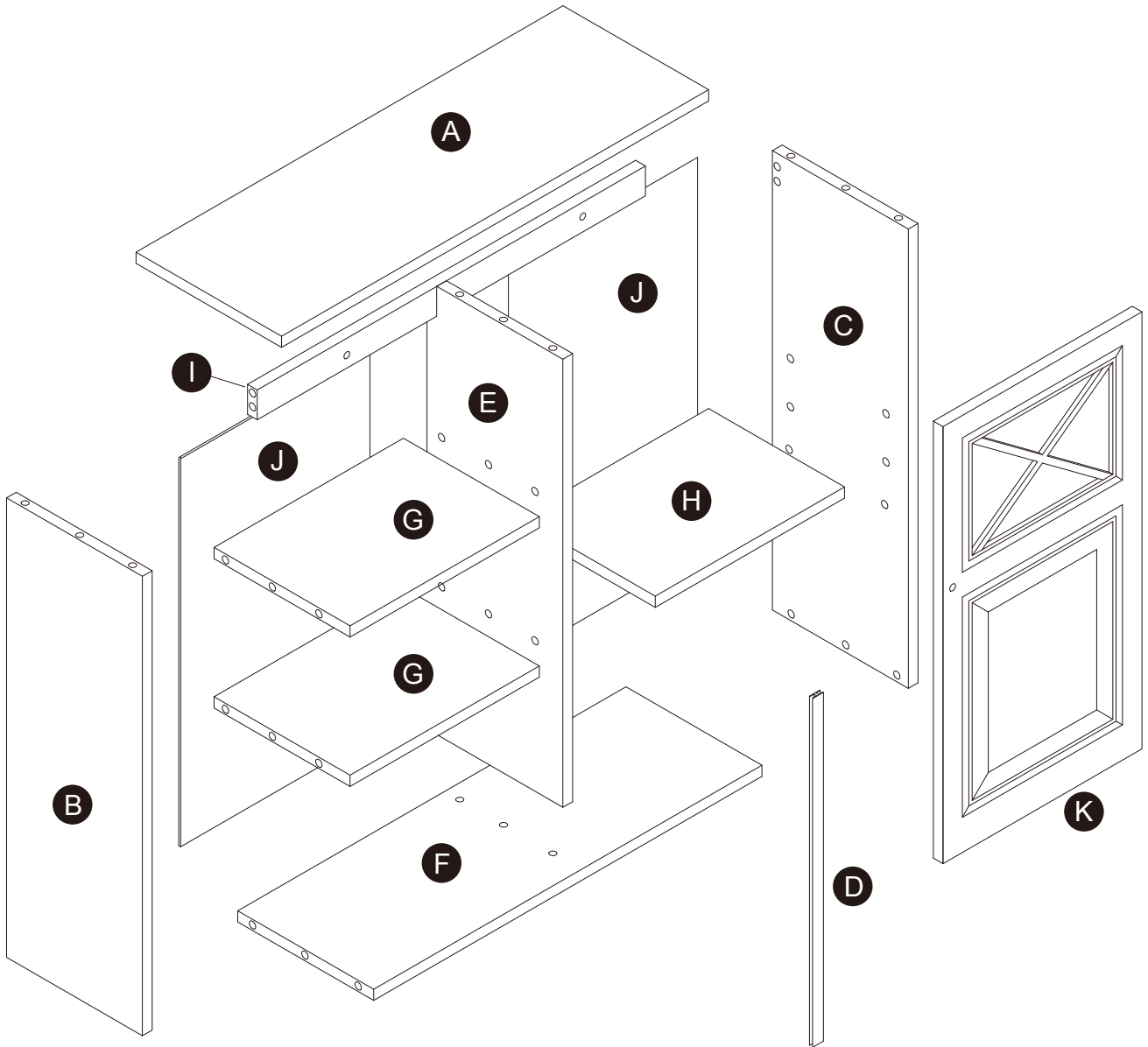
Mon - Fri 9:00am ~ 5:00pm GMT+8

✉ sales_ec@teamson.com



** Got questions? Please have your product code (on the first page of this instruction, e.g. TD-12345A) and the order number ready, give us a call or email us through our customer care support! We are always ready to assist you!

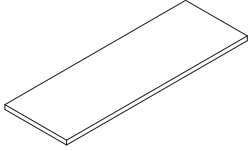
Exploded Drawing



Scan for assembly instructions.

Product Parts

A



1 PC

B



1 PC

C



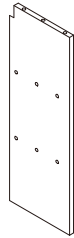
1 PC

D



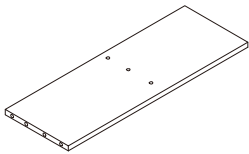
1 PC

E



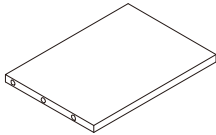
1 PC

F



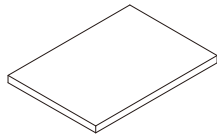
1 PC

G



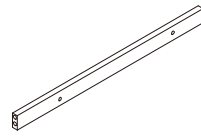
2 PCS

H



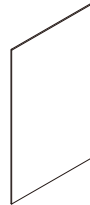
1 PC

I



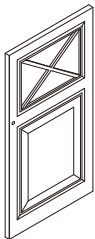
1 PC

J



2 PCS

K



1 PC

! Care Instructions

Dust surface with a dry soft cloth. Do not use window cleaners or cleaning abrasives as they will scratch the surface and could damage the protective coating

! WARNING

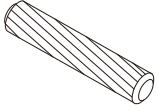
Small parts and sharp edges may be present prior to assembly.



Scan for assembly instructions.

Hardware

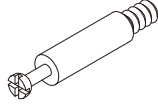
1



Ø6*30mm

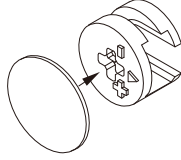
22 PCS

2



14 PCS

3



Ø15*9

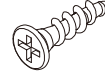
14 PCS

4



4 PCS

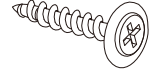
5



Ø3*12mm

4 PCS

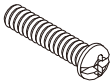
6



Ø3*12 D=7

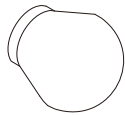
14 PCS

7



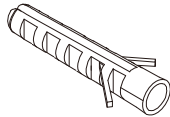
1 PC

8



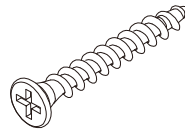
1 PC

9



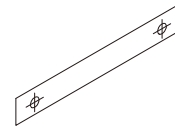
2 PCS

10



Ø4*35mm

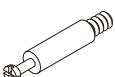
2 PCS



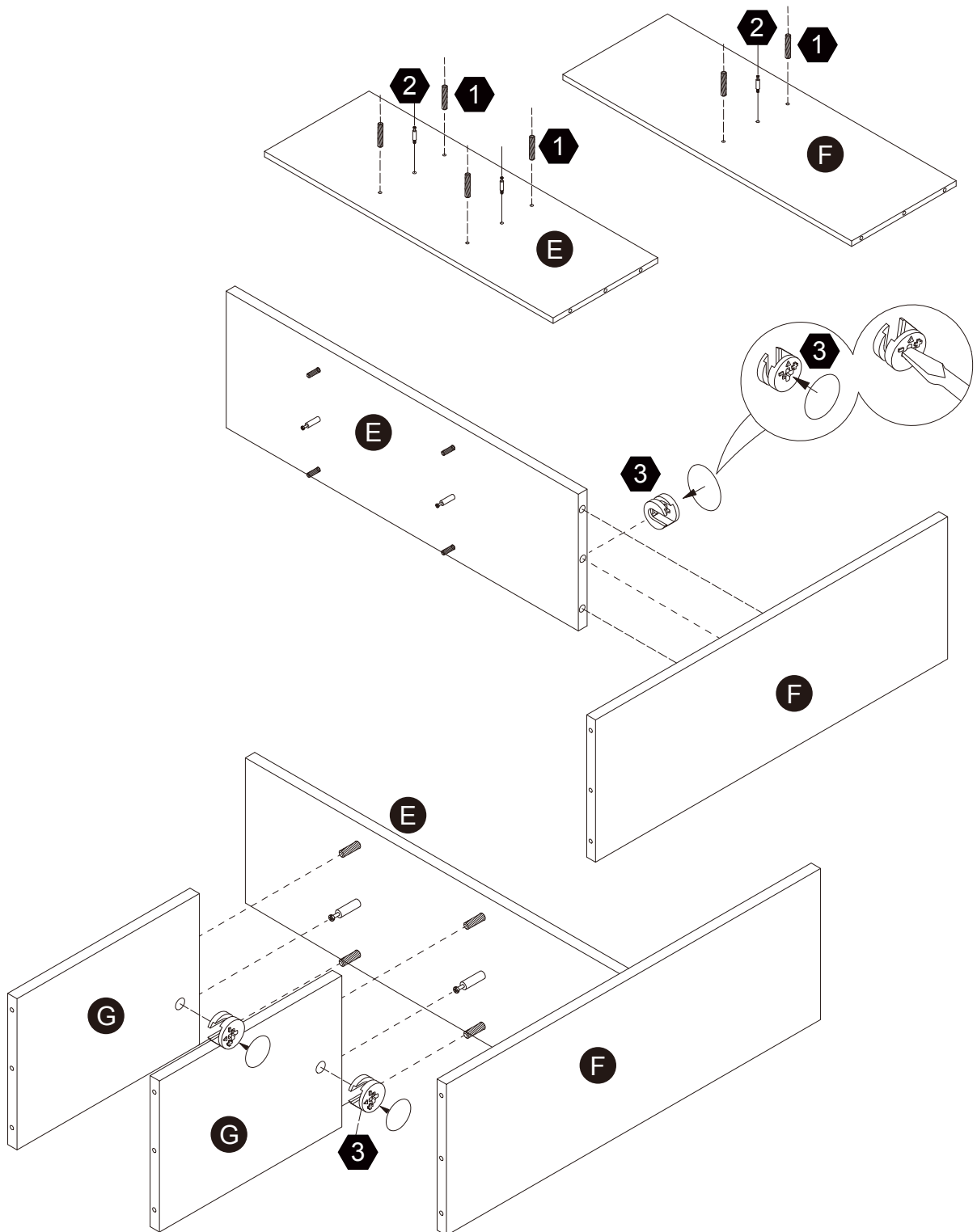
Scan for assembly instructions.

Step 1

1  **6 pcs**
Ø6*30mm


2  **3 pcs**

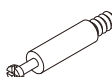
3  **3 pcs**
Ø15*9



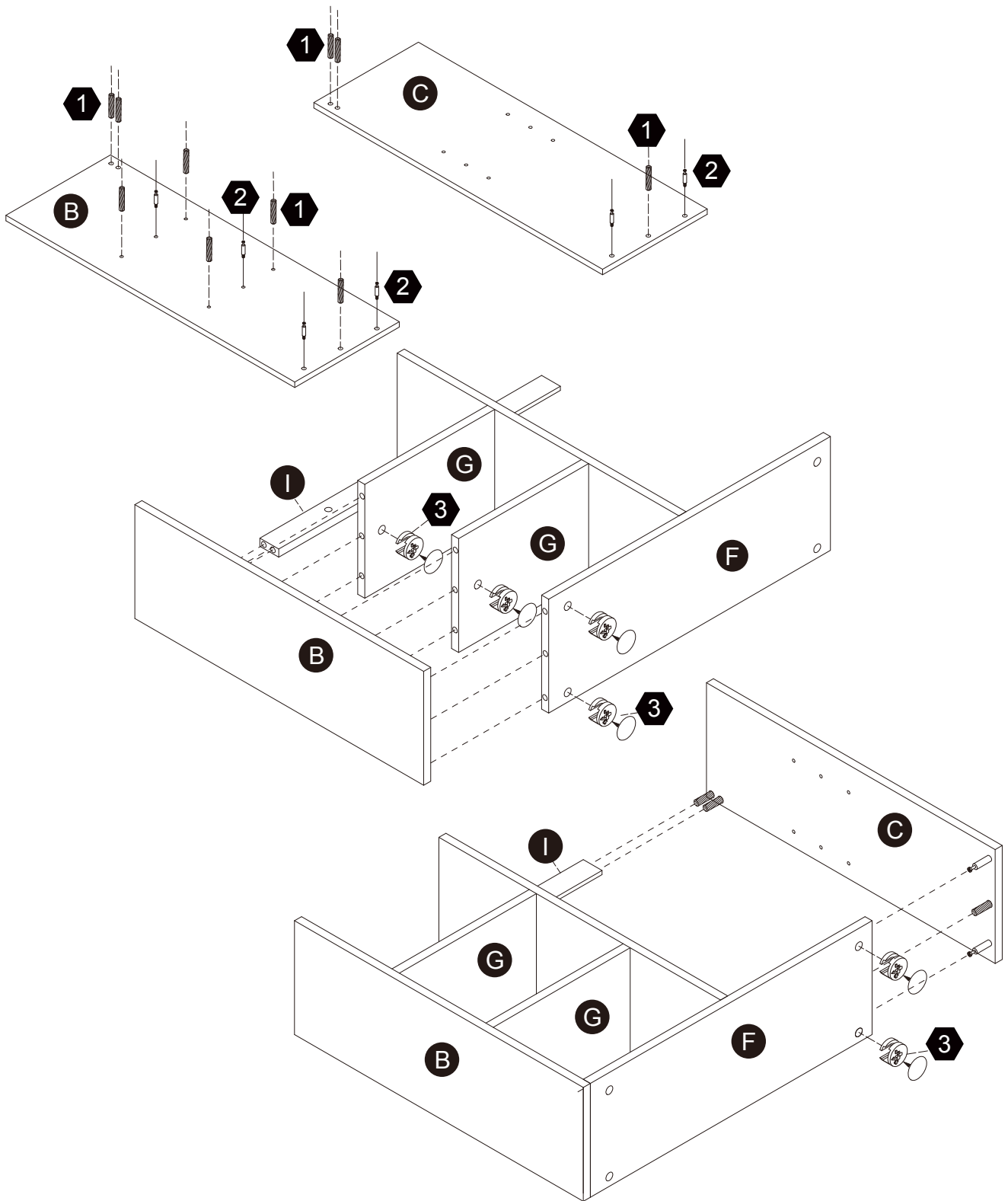
Scan for assembly instructions.

Step 2

1  10 pcs
Ø6*30mm


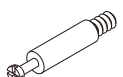

2  6 pcs

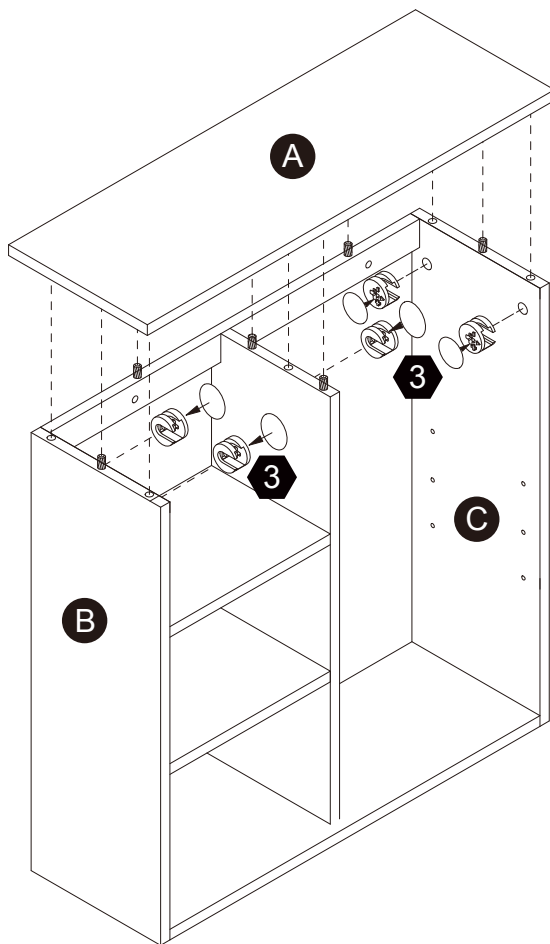
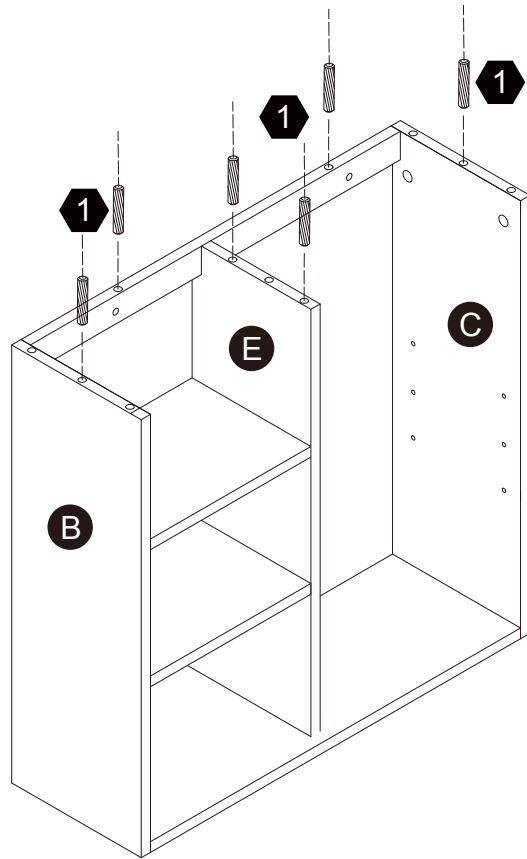
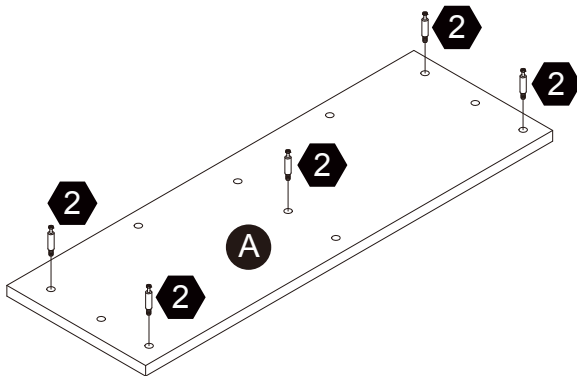
3  6 pcs
Ø15*9



Scan for assembly instructions.


Step 3

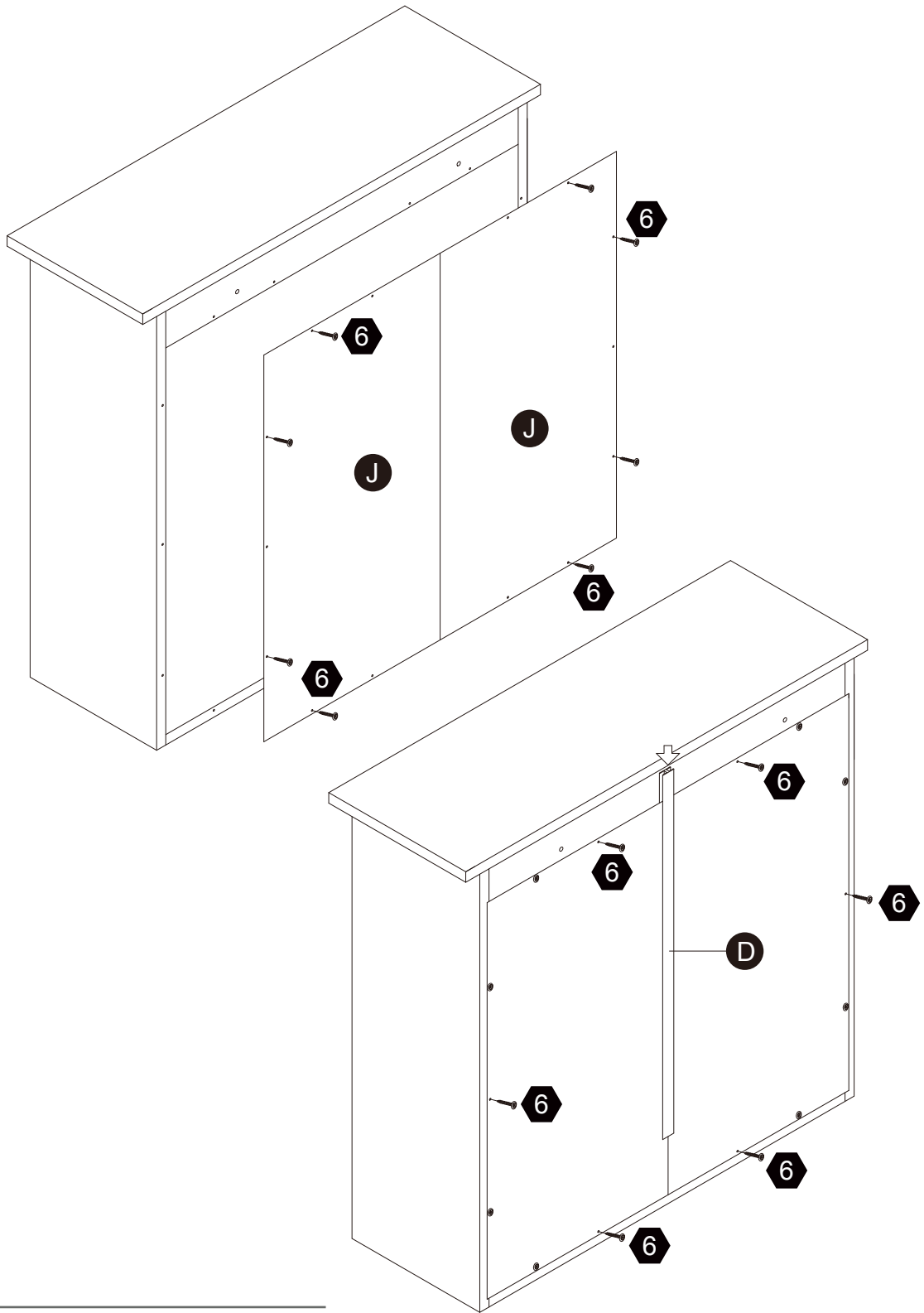
- 1**  $\text{Ø}6*30\text{mm}$ 6 pcs **2**  5 pcs **3**  $\text{Ø}15*9$ 5 pcs



Scan for assembly instructions.

Step 4

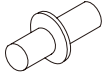
6  **14 pcs**
Ø3*12 D=7



Scan for assembly instructions.

Step 5

4



4 pcs

5



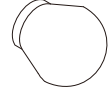
4 pcs

7

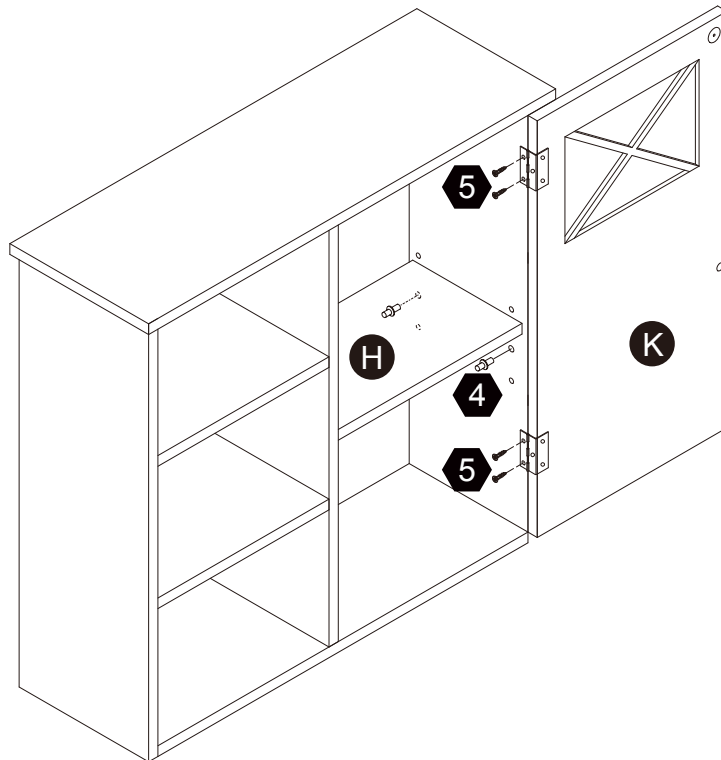
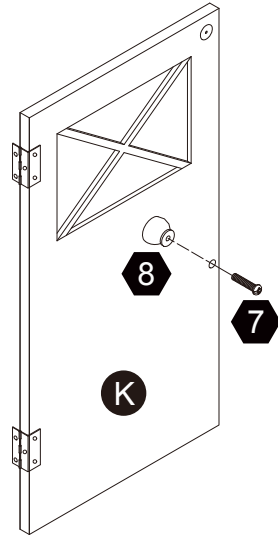


1 pc

8



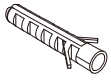
1 pc



Scan for assembly instructions.

Step 6

9

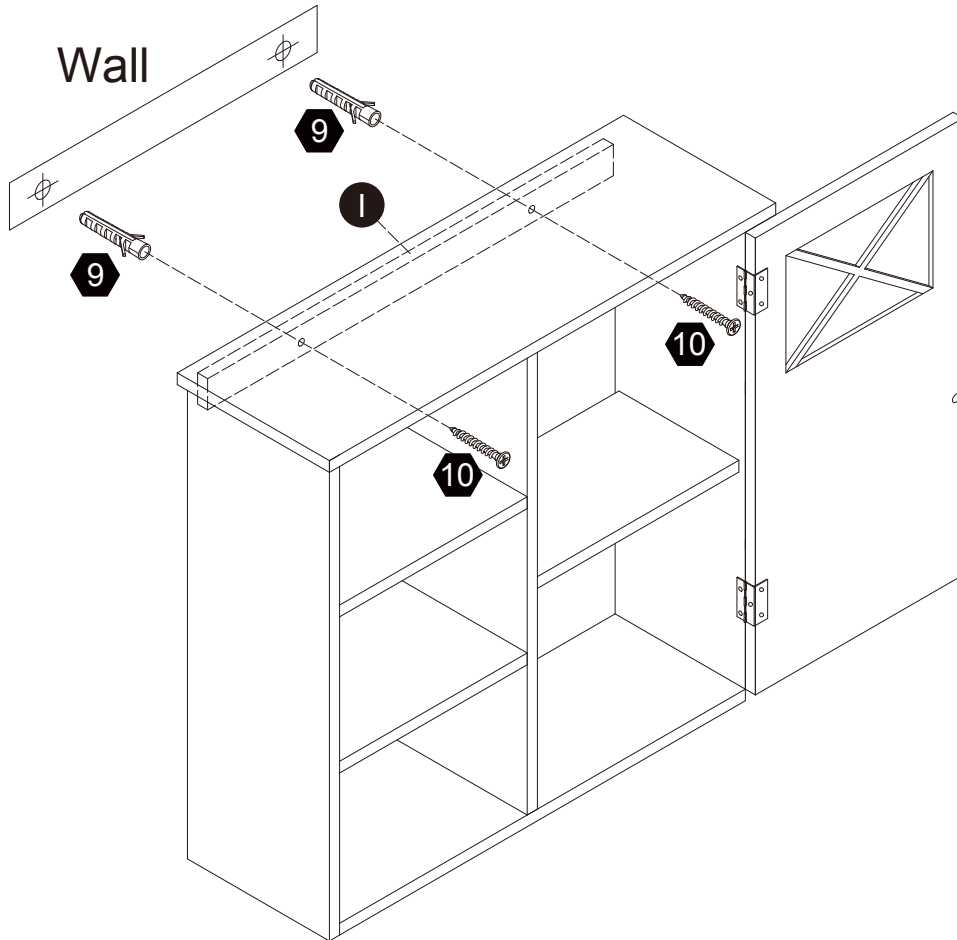


2 pcs

10



2 pcs



Scan for assembly instructions.