




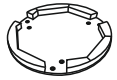

Assembly Instructions

Stuart Wood Side Table

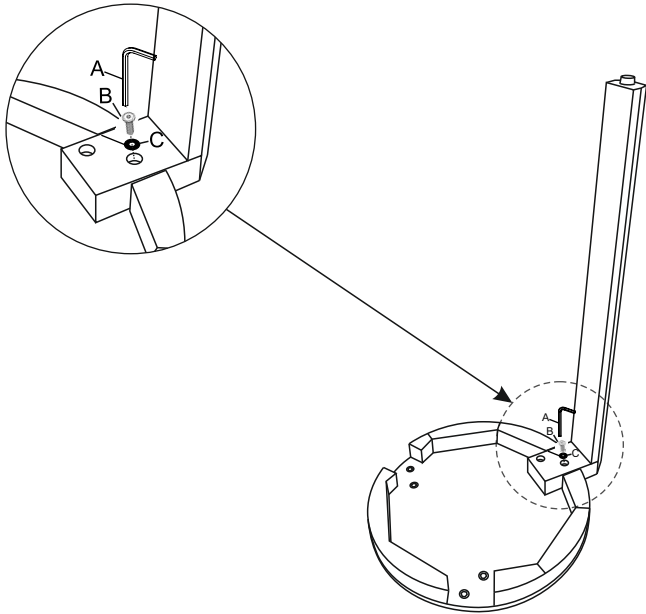
HARDWARE LIST:-

NO.	DESCRIPTION	IMAGE	QTY
A	ALLEN KEY (4mm)		1
B	ALLEN BOLT (6X35mm)		6
C	WASHER		6

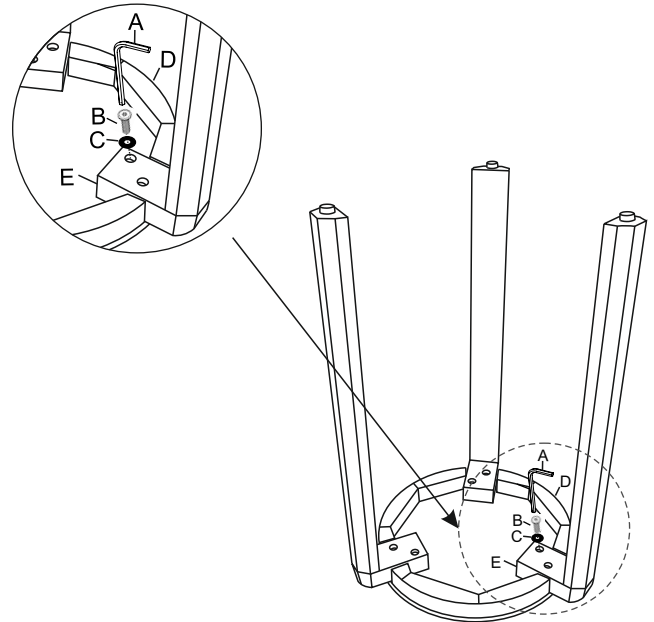
PART LIST:-

NO.	DESCRIPTION	IMAGE	QTY
D	TABLE TOP		1
E	TABLE LEGS		3

Step :- 1



Step :- 2



Step :- 3

