

# XM13SC



Compact



Maneuverable

**HILLYARD**  
  
The Cleaning Resource®

 **TRIDENT®**

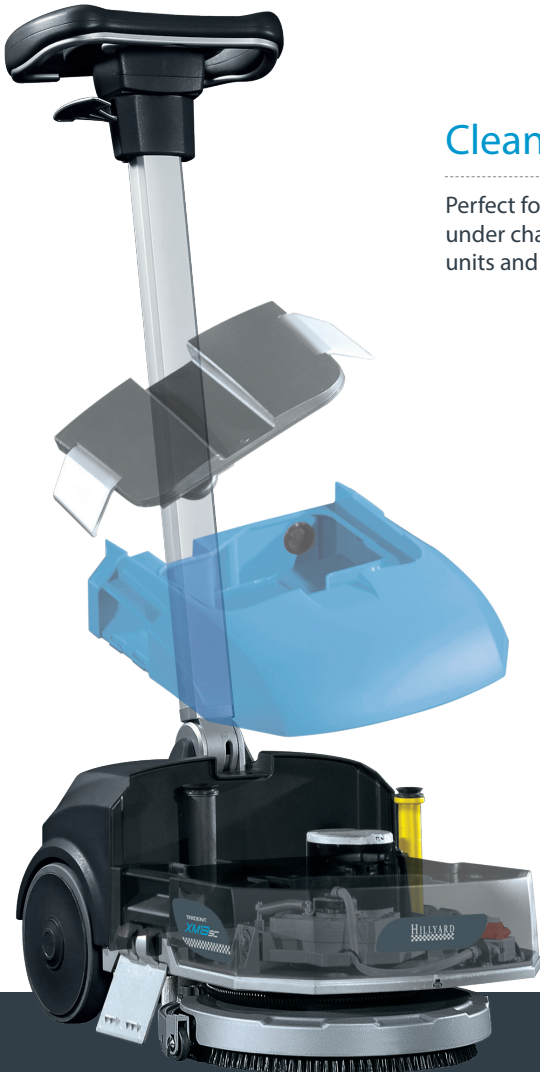
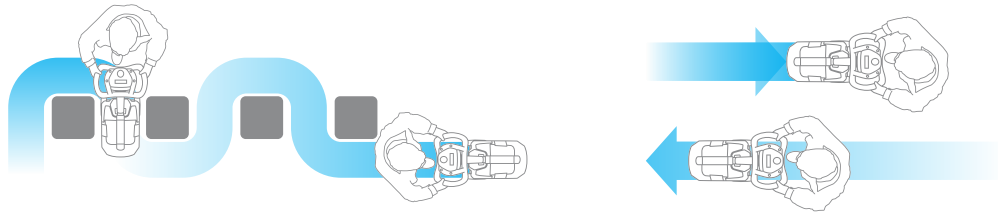
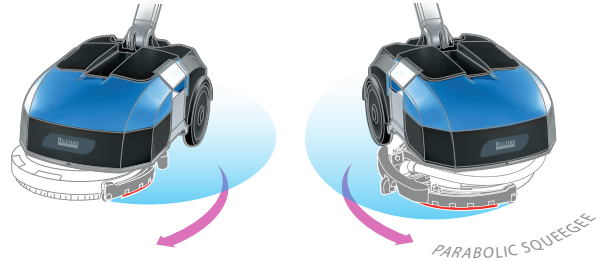
Better Built. Better Equipment.

## Compact - Maneuverable - Efficient

### Parabolic Squeegee Scrub and Dry In Any Direction



The innovative rotary head is equipped with a parabolic squeegee. The squeegee continuously follows the direction of the machine, delivering perfect scrubbing and drying results in any direction.



### Clean Everywhere

Perfect for tight spaces. Clean under chairs, tables, shelving units and more.

11.5"



Offset brush enables total cleaning - all the way to the wall!







# Convenient Cordless Power



## Always Ready To Use

No self-discharge. It is always ready when you need it. No memory effect, you can recharge the battery whenever you want.

## Fast Charge

You can use the XM13SC several times in a single day.

## Low Battery Costs

High discharge/charge cycle lifespan.

## Handy Battery Charger

Lets you recharge anywhere, without wasting time.



## ECO MODE System

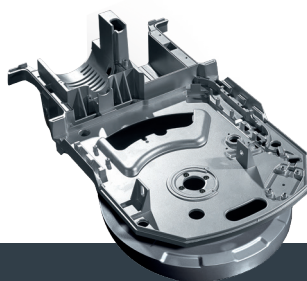
- Save Water
- Reduce Chemical Use
- Conserve Energy
- Lower Noise Level



The Eco Mode function helps conserve water, detergent and energy by using only the quantities you need and nothing more.

## Sturdy and Light Weight

An engineered aluminium uni-body chassis is sturdy and light weight resulting in less strain on the operator during use and transport.



## Simple Controls

The controls on the steering wheel are simple, intuitive, and easy to use for an inexperienced operator, ensuring total control over the machine and the cleaning process.

Cleaning settings are already pre-configured when using the automatic scrubbing function. Simply press the AUTO button to start.

## Compact Storage

When not in use, the machine's compact dimensions mean that it can be stored anywhere, even in the smallest closet.



# XM13SC

## Adjustable Handle

The steering wheel height and tilt are adjustable to suit the stature of the operator and reduce back fatigue.



Specifications		XM13SC
Hillyard Item Number		HIL56004
Cleaning Path	In	13
Squeegee Width	In	13
Disc Brushes	(No.) In	(1) 11
Solution Tank	Gal	.8
Recovery Tank	Gal	1.0
Supply/Traction	V	36/Brush Assist
Acoustic Level (Iso 11201)	Db (A)	<70
Brush Motor	V/W	36/90
Vacuum Motor	V/W	36/150
Brushes RPM	RPM/Min.	150
Brush Pressure	Lb	22
Forward Speed	MPH	0 - 1.25
Gradeability	%	2
Productivity	Sq.ft/Hr	10,000
Machine Dimensions (L,H,W)	In	21.9, 41.3, 14.8
Battery (Li-Ion) (HIL33028)	(No.) V/Ah	(1) 36/5.2
Machine Weight (With Battery)	Lb	44
Contents		1 - Machine 1 - Black Nylon Brush 1 - Pad Holder 1 - Charger 1 - Battery 1 - Owners Kit

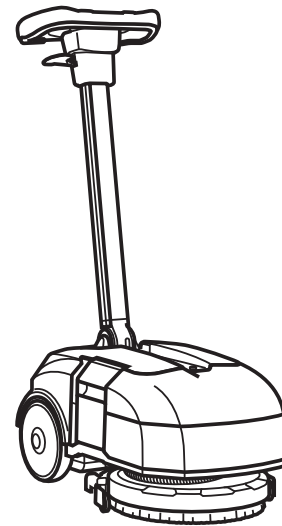
Squeegee Replacement Guide		XM13SC
Front Squeegee		HIL439839
Rear Squeegee		HIL439841

Brush Guide		XM13SC
Brush - Soft, 0.3MM PPL, Black		HIL439929



## Eliminate the Mop Bucket and Improve Safety

Scrubs and dries in a single pass. The floor is dry and safe to walk on in just a few seconds, preventing the risk of dangerous slip/fall accidents.



**HILLYARD**  
 The Cleaning Resource®

PO Box 909  
 St. Joseph, MO 64502  
[www.hillyard.com](http://www.hillyard.com)

LIT-XM13SC-0118