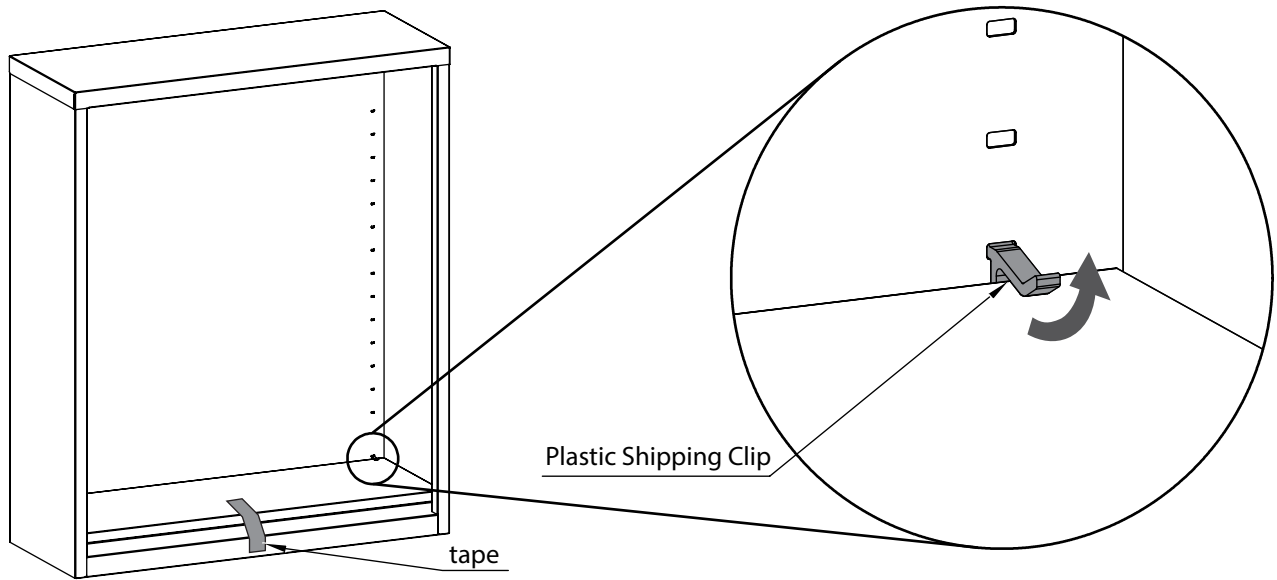
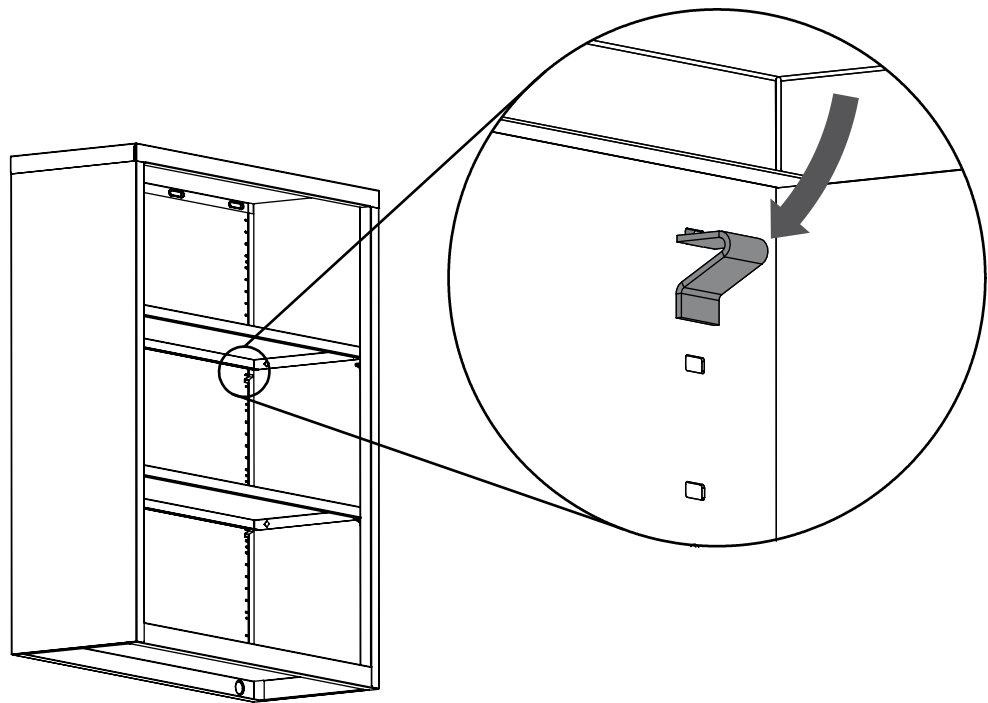
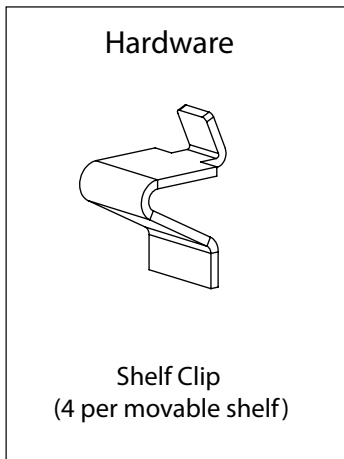


## 1- Packaging Removal



Shelves are stacked and secured to bottom of the cabinet for shipping. Hardware is stored under shelves. Remove tape from shelves and take shelves out of cabinet. Remove and discard (recycle) the shelf storage clips.

## 2 - Shelf Installation



Install 4 shelf clips per shelf.