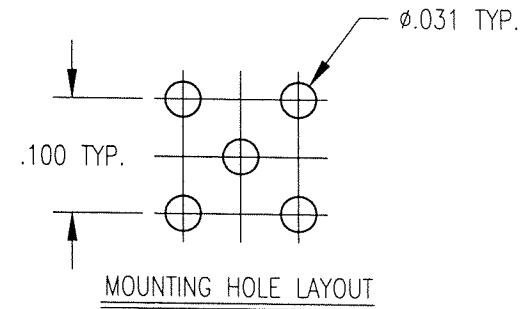
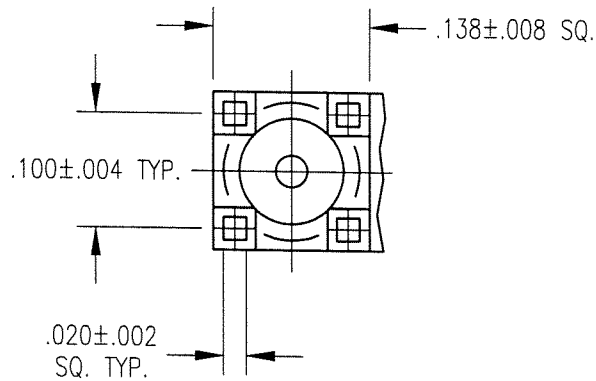
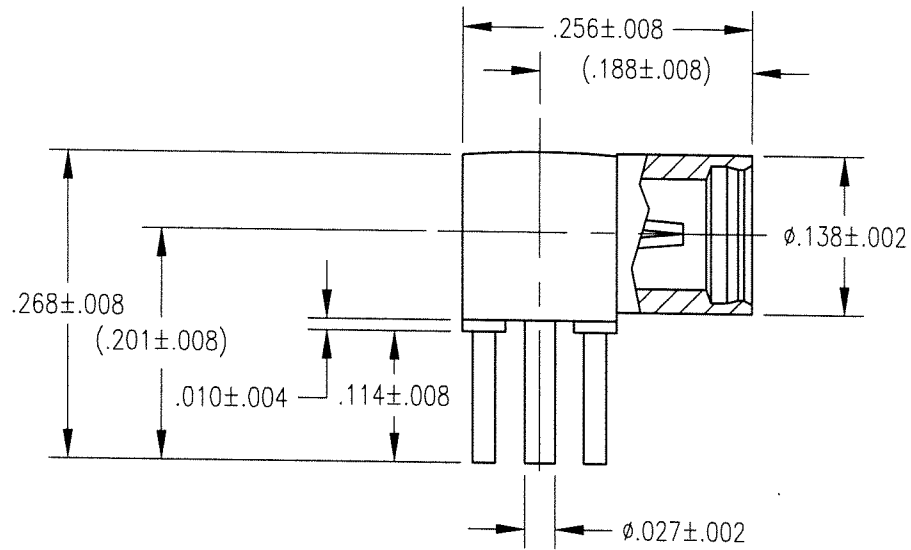


DWG. NO.		473-040-0040Y	
REV	DESCRIPTION	BY DATE	APPD
C	ECN 2559	11/15/00	[Signature]



NOTES:

- MATERIALS:
 CENTER CONTACT: BERYLLIUM COPPER
 ALL OTHER METAL PARTS: BRASS
 INSULATOR: TEFLON
- FINISH:
 CENTER CONTACT: .000030 MIN. GOLD OVER NICKEL
 ALL OTHER METAL PARTS: GOLD PLATE

PER ASME Y14.5M-1994 UNLESS OTHERWISE SPECIFIED: DIMENSIONS ARE IN INCHES (MM)		Litton	
TOLERANCES: DECIMALS .XX ± .01/0.254 XXX ± .005/0.127 ANGLES ± 2°		Winchester/Retconn 400 Park Road Watertown, Connecticut 06795	
CUSTOMER DRAWING		TITLE MMCX RIGHT ANGLE PCB MOUNT RECEPTACLE	
DRAWN JED	DATE 10/5/00	CHECKED JH	DATE 10/5/00
APPROVED JMC	DATE 10/5/00	APPROVED KJT	DATE 10/5/00
A		473-040-0040Y	SHT. OF REV. 1 1 C