

Assembly Guide



Bush
FURNITURE

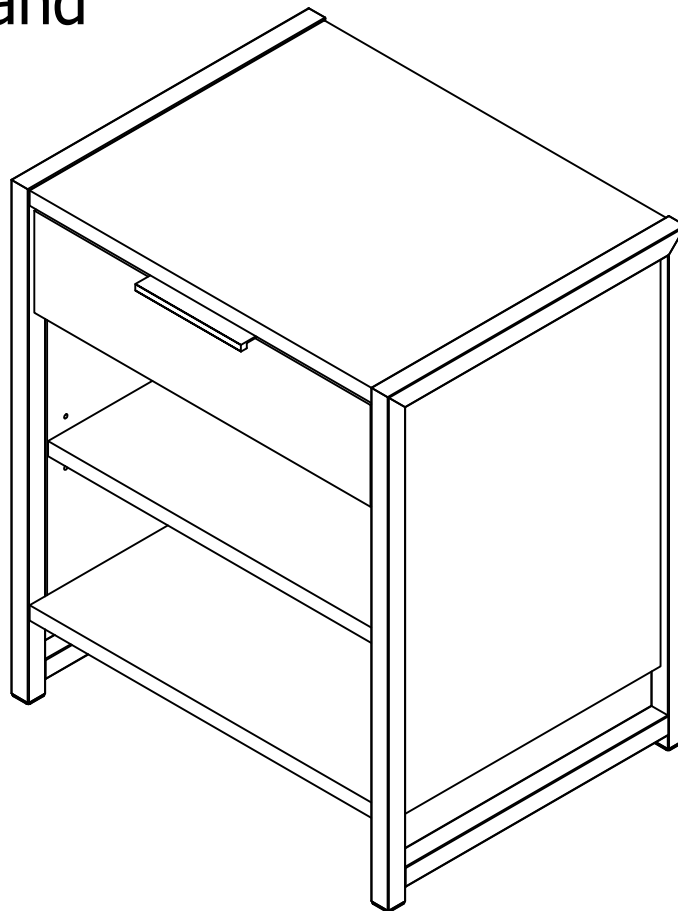


If you're having any difficulty during assembly of this product, don't hesitate to call us at
1-800-950-4782.

Our customer service experts are trained to provide step-by-step instruction and can easily replace any missing or damaged parts.

**Representatives are available Monday-Friday
from 8:30 a.m. to 7:30 p.m. (ET)**

Night Stand



Lot Code #

Instruction Sheet Number A191487A

Keep manual for future reference.

For best results, keep these tips in mind:

- ① We know you want to finish this assembly as quickly as possible, but trust us: you'll have a better experience if you take it one step at a time.
- ② Give yourself some room to work near where you want the fully assembled product.
- ③ If your floor isn't carpeted, assemble this product on the empty carton to avoid scratching.
- ④ Do you have a friend who owes you a favor? Some steps may go a little easier with a second set of hands.

DOs

- ✓ Use a #2 Phillips head screwdriver (or other handheld tools as indicated)
- ✓ Wear safety glasses at all times during assembly
- ✓ Carefully follow the instructions in this guide and complete all steps in order
- ✓ Give us a call if you're having trouble with a particularly tricky step

DON'Ts

- ✗ We know power tools are quick and easy, but you shouldn't use them when assembling this product (unless otherwise specified)
- ✗ Never move your furniture with items inside or resting on the surface
- ✗ Do not attempt to use this product before all steps have been completed

Watch assembly videos right on your phone or computer!



Some steps include QR codes that link to helpful videos. Watch out for the icon below! Simply open up your smartphone camera to scan the code.

(Users of older smartphones may need to install a QR Reader.)

SCAN HERE



FOR VIDEOS

Or visit <https://bushfurniture.com/help-faq/#assembling>



IMPORTANT SAFETY INFORMATION



PLEASE READ WARNINGS

Improper use can cause safety hazards, or damage to your furniture and household items.

Warning	Do	Don't	Why it's important
Serious injury may occur.	<ul style="list-style-type: none">Assemble following all instructions using all indicated parts and hardware provided.Install every indicated nail and/or screw.Verify furniture is stable on it's own.Place heaviest items in the lower drawers or shelves.Remove items that might tempt kids to climb, such as toys and remote controls from the top and upper shelves of furniture.	<ul style="list-style-type: none">Do not move unit when loaded.Do not load with a television or other heavy equipment.Do not exceed the maximum load limits stated in the instructions.Do not allow children to stand, climb, or hang on furniture.	Improper assembly, use or loading can lead to product instability, tipover, or collapse.

Advertencia	Hacer	No	Por qué es importante
Pueden producirse lesiones graves.	<ul style="list-style-type: none">Realice el montaje siguiendo todas las instrucciones y utilizando todas las piezas indicadas y los herrajes suministrados.Instale todos los clavos y/o tornillos indicados.Compruebe que el mueble sea estable por sí mismo.Coloque los objetos más pesados en los cajones o estantes inferiores.Retire los objetos que puedan tentar a los niños a trepar, como juguetes y mandos a distancia, de los estantes superiores y superiores del mueble.	<ul style="list-style-type: none">No mueva la unidad cuando esté cargada.No cargue el mueble con un televisor u otro equipo pesado.No supere los límites máximos de carga indicados en las instrucciones.No permita que los niños se pongan de pie, trepen o se cuelguen de los muebles.	El montaje, uso o carga inadecuados pueden provocar inestabilidad, vuelco o colapso del producto.

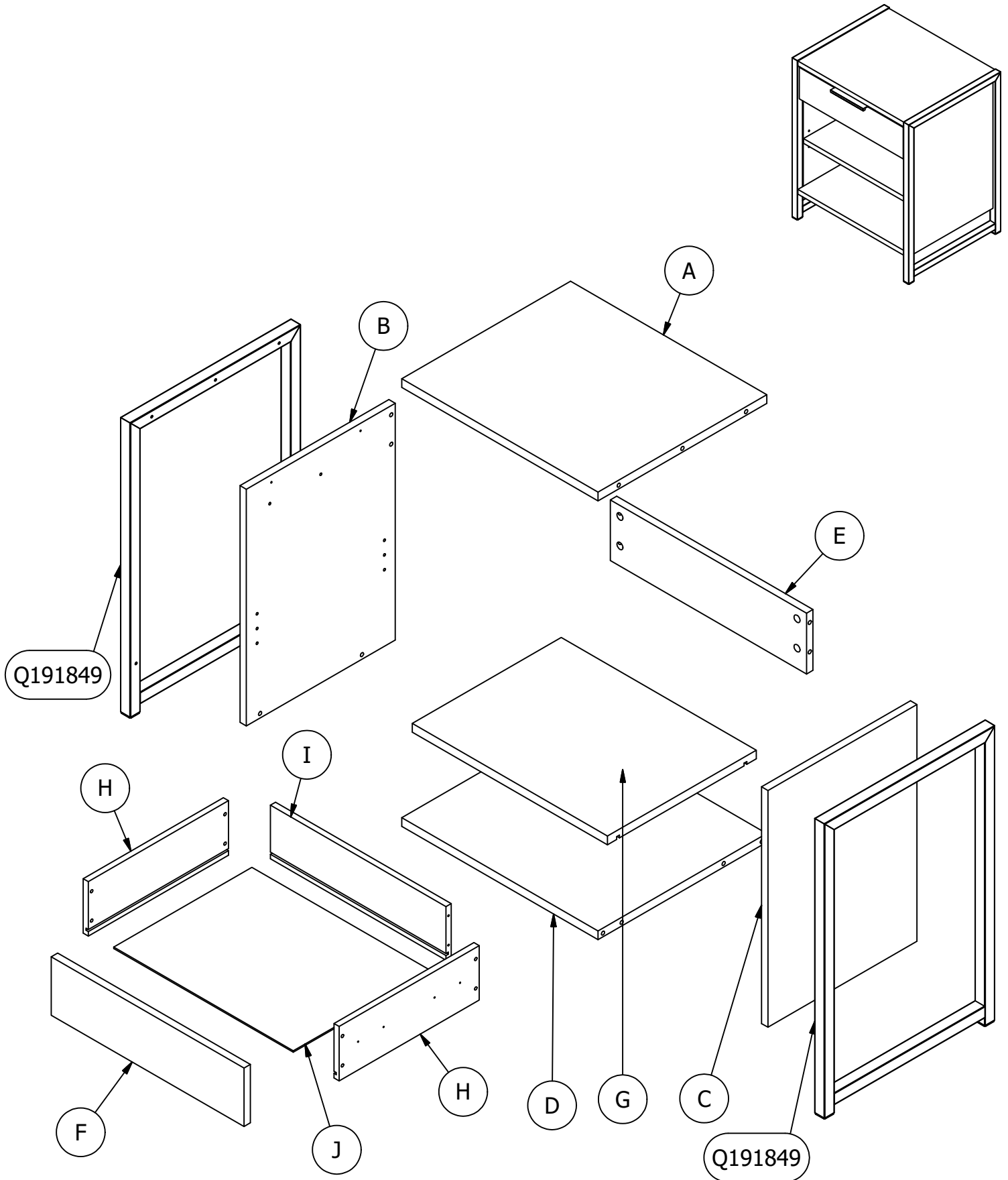
IMPORTANT SAFETY INFORMATION



PLEASE READ WARNINGS

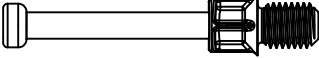
Improper use can cause safety hazards, or damage to your furniture and household items.

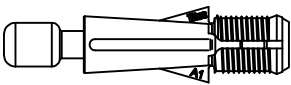
Avertissement	À faire	À ne pas faire	Pourquoi c'est important
Peut entraîner des blessures graves.	<ul style="list-style-type: none">• Assembler en suivant toutes les instructions et en utilisant toutes les pièces et la quincaillerie incluses.• Installer tous les clous et/ou toutes les vis.• Assurez-vous que le meuble soit stable par lui-même.• Placer les objets les plus lourds sur les tablettes ou dans les tiroirs du bas.• Retirer les objets qui pourraient inciter les enfants à grimper comme les jouets et les télécommandes des tablettes supérieures et du dessus du meuble.	<ul style="list-style-type: none">• Ne pas déplacer le meuble lorsqu'il est chargé.• Ne pas charger le meuble avec un téléviseur ou tout autre équipement lourd• Ne pas dépasser les limites de poids maximales indiquées dans les instructions.• Ne pas laisser les enfants se tenir sur les meubles, y grimper ou s'y suspendre.	Un assemblage, une utilisation ou un chargement incorrects peuvent entraîner l'instabilité, le basculement ou l'effondrement du produit.





Have an assembly question or need a replacement part? Just call
1-800-950-4782, we are here to help.

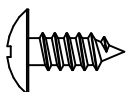
Fasteners are shown actual size.


H190988  [10]
KD Bolt

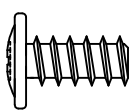
H171556  [8]
Quickfit TL4

H128624  [10]
#8 x .5"

H181468US  [18]
KD Cam3000

H35251  [8]
#10 x 1-1/2"

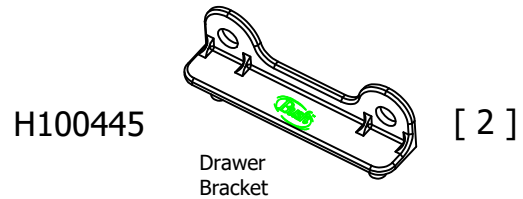
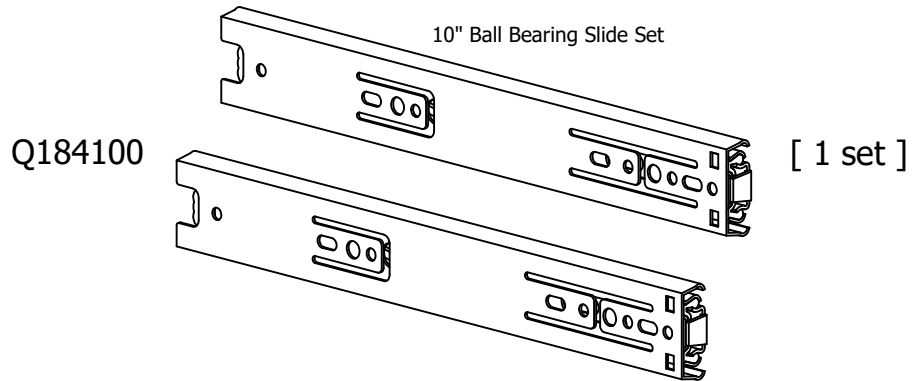
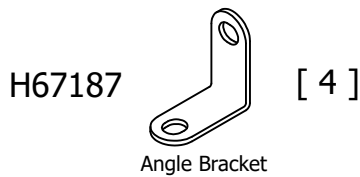
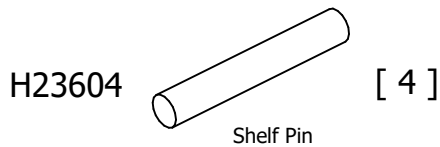
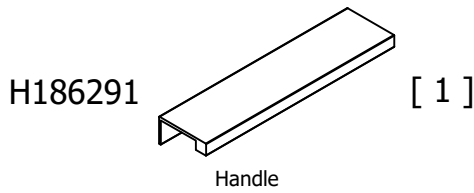
H150333  [4]
#8 x 1-1/2"

H146988  [4]
Euro 13/14mm

H192260  [4]
Euro 10mm

Have an assembly question or need a replacement part? Just call
1-800-950-4782, we are here to help.

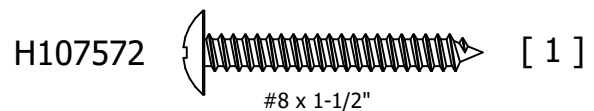
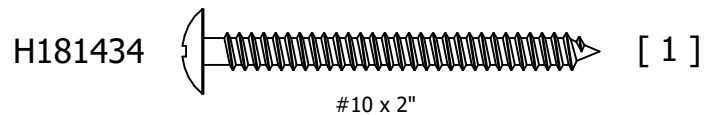
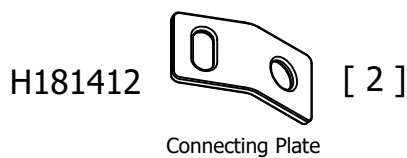
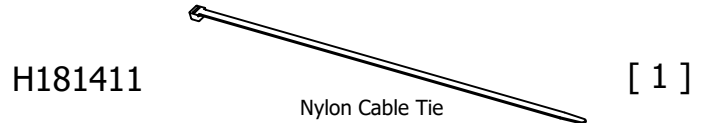
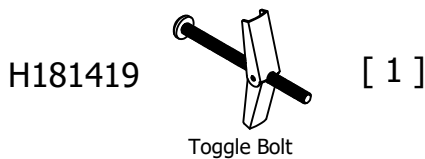
Hardware not to scale.



TIPOVER RESTRAINT HARDWARE

SUGERENCIA SOBRE HARDWARE DE RETENCIÓN

MATÉRIEL DE RETENUE SUR LE SUPPORT



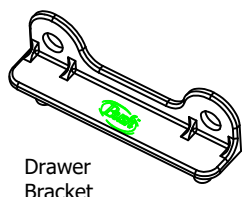
Have an assembly question or need a replacement part? Just call
1-800-950-4782, we are here to help.

STEP 1

Prepare and Assemble Panels

A191487A

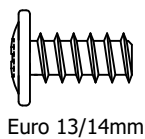
H100445



Drawer
Bracket

[2]

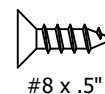
H146988



Euro 13/14mm

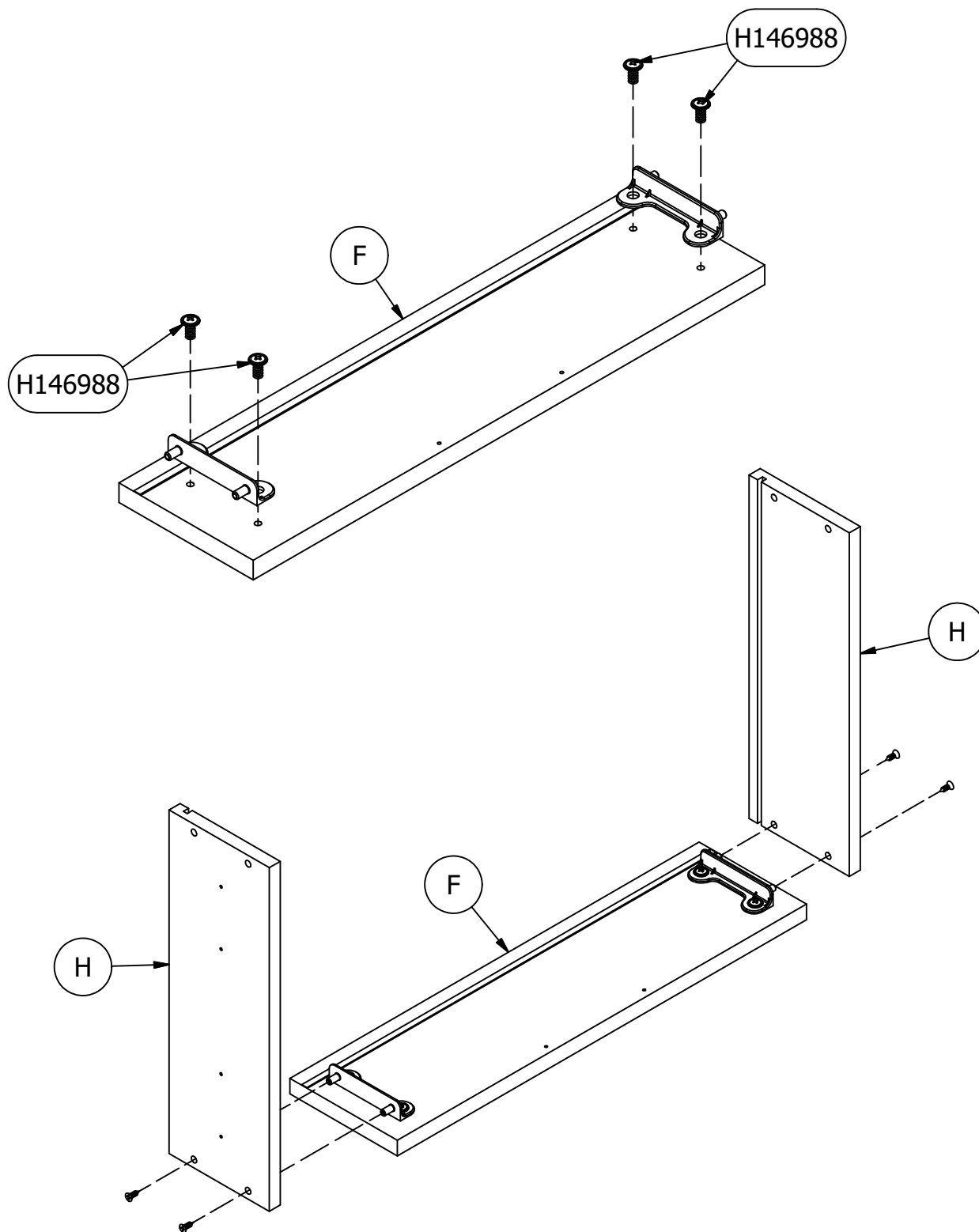
[4]

H128624



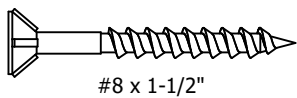
#8 x .5"

[4]



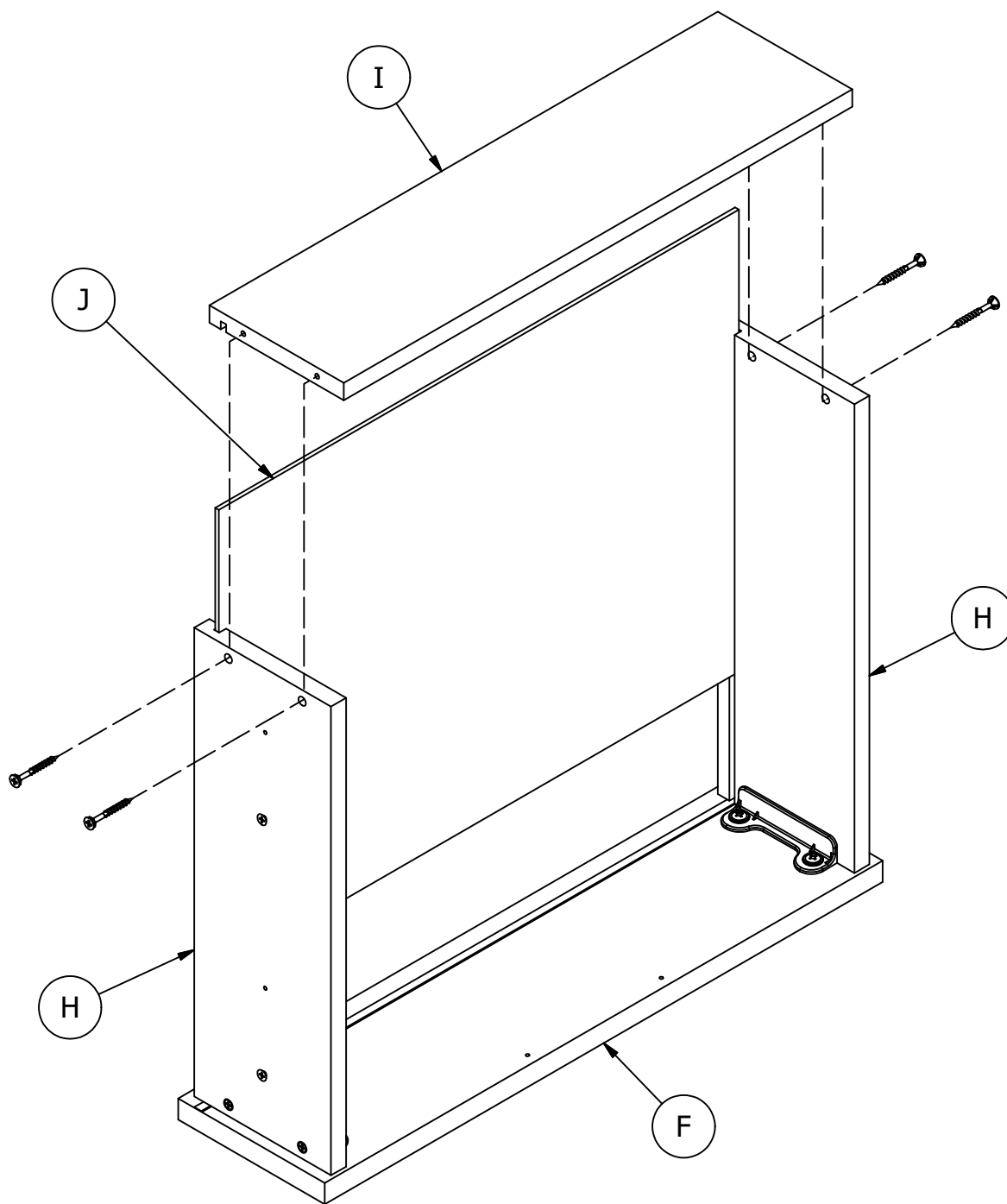
Have an assembly question or need a replacement part? Just call
1-800-950-4782, we are here to help.

H150333



#8 x 1-1/2"

[4]



Have an assembly question or need a replacement part? Just call
1-800-950-4782, we are here to help.

Scan QR Code to
Watch Video on:

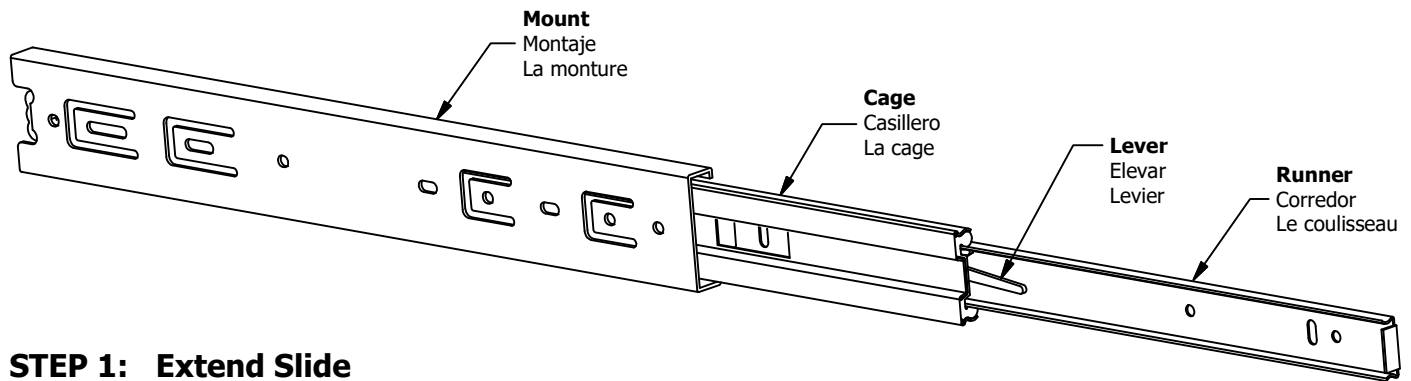


How to Separate
and Install Drawer
Slides

Slides Must Be Separated Before Assembly. After Separated, Set Aside Until Needed for Assembly.

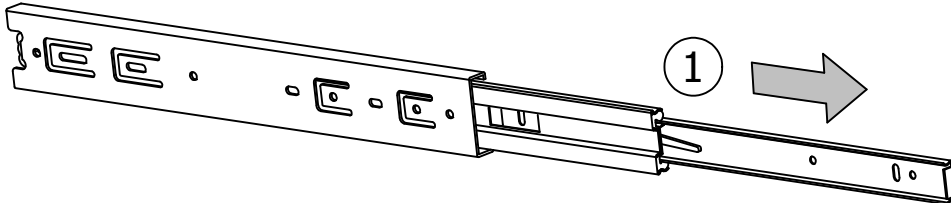
Las diapositivas deben separarse antes del montaje.
Después de la separación, déjelo a un lado hasta que sea necesario.

Les glissières doivent être séparées avant l'assemblage.
Après la séparation, mettez de côté jusqu'au moment de l'assemblage.



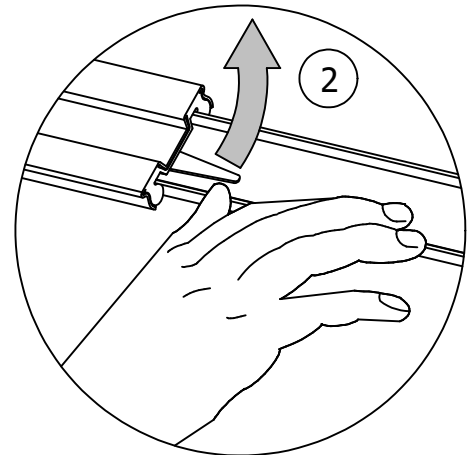
STEP 1: Extend Slide

Extender la diapositiva
Extendre la diapositive



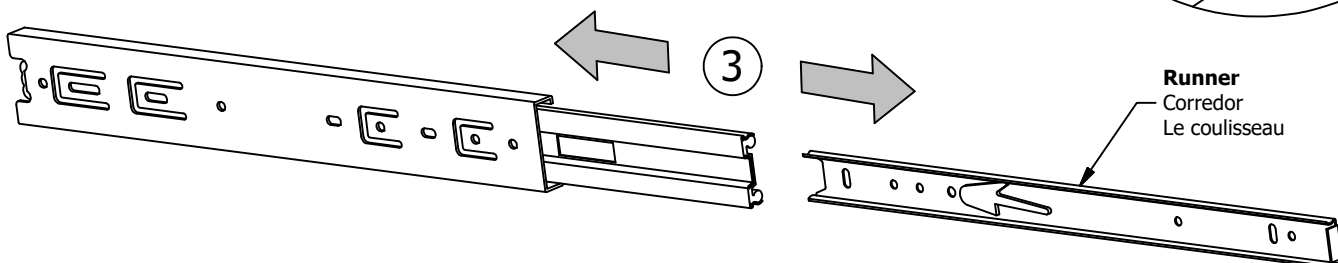
STEP 2: Push Lever UP

Empujar hacia arriba
Lever le levier



STEP 3: Remove Runner

Quitar el corredor
Enlever le coureur

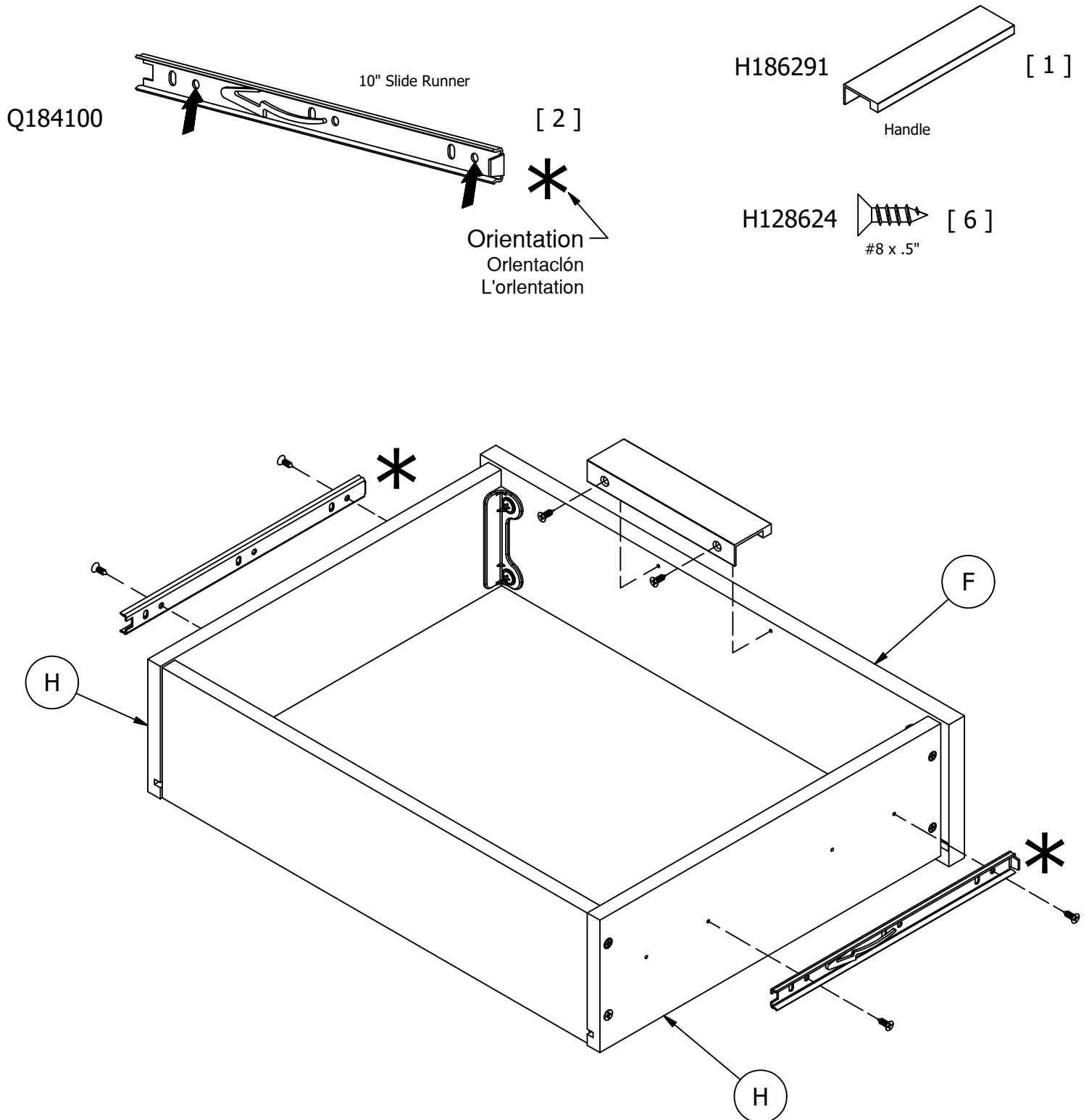


Have an assembly question or need a replacement part? Just call
1-800-950-4782, we are here to help.

STEP 4

Attach Hardware

A191487A



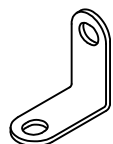
Have an assembly question or need a replacement part? Just call
1-800-950-4782, we are here to help.

STEP 5

Prepare Panel

A191487A

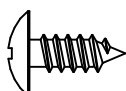
H67187



[4]

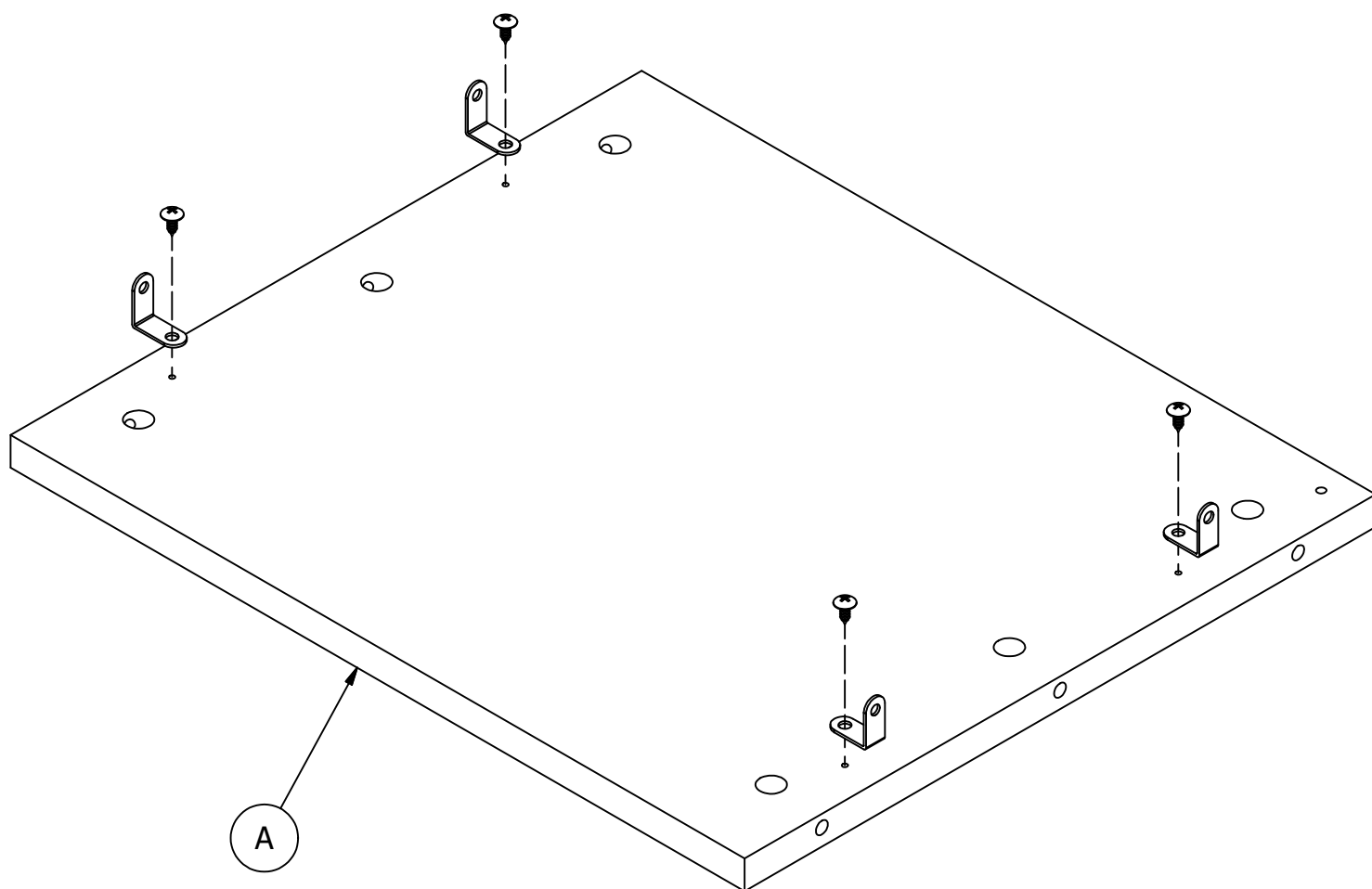
Angle Bracket

H35251



[4]

#10 x 1/2"



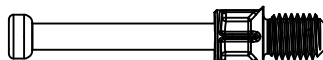
Have an assembly question or need a replacement part? Just call
1-800-950-4782, we are here to help.

STEP 6

Prepare Frames

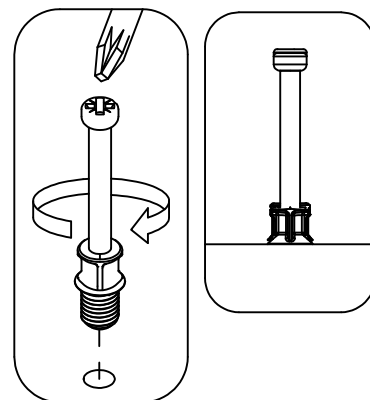
A191487A

H190988

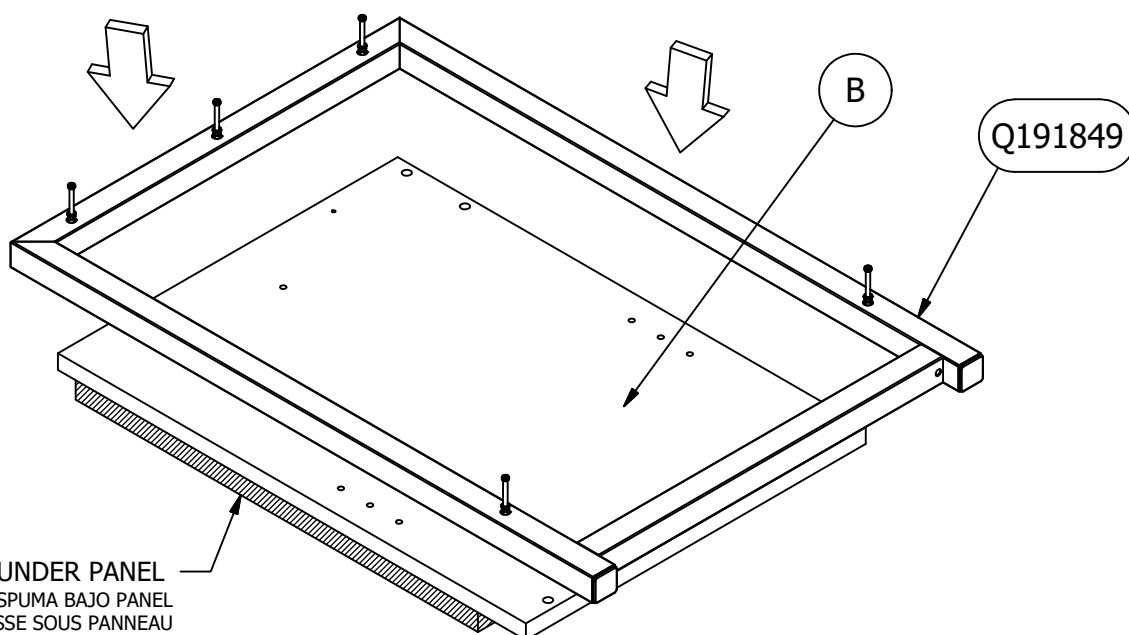
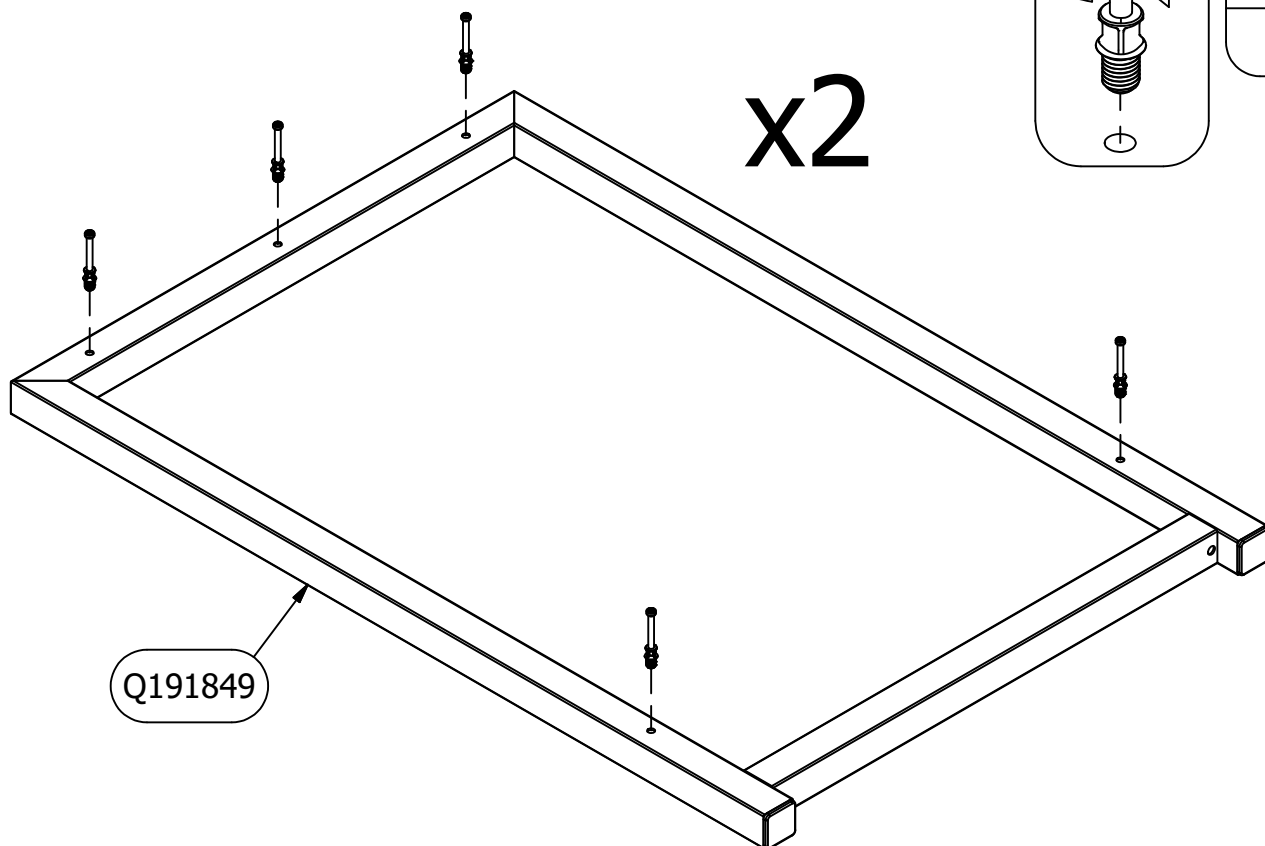


KD Bolt

[10]



x2



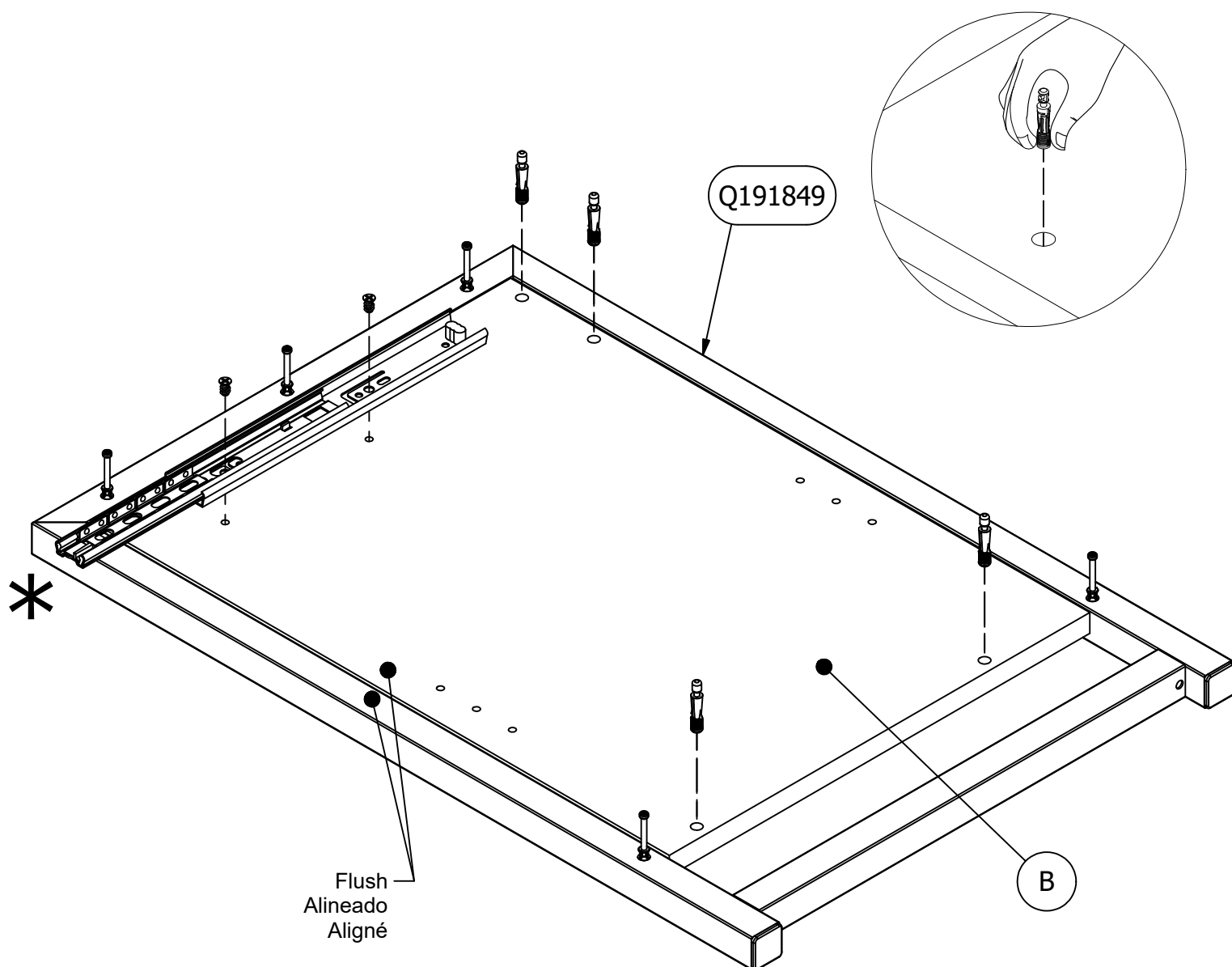
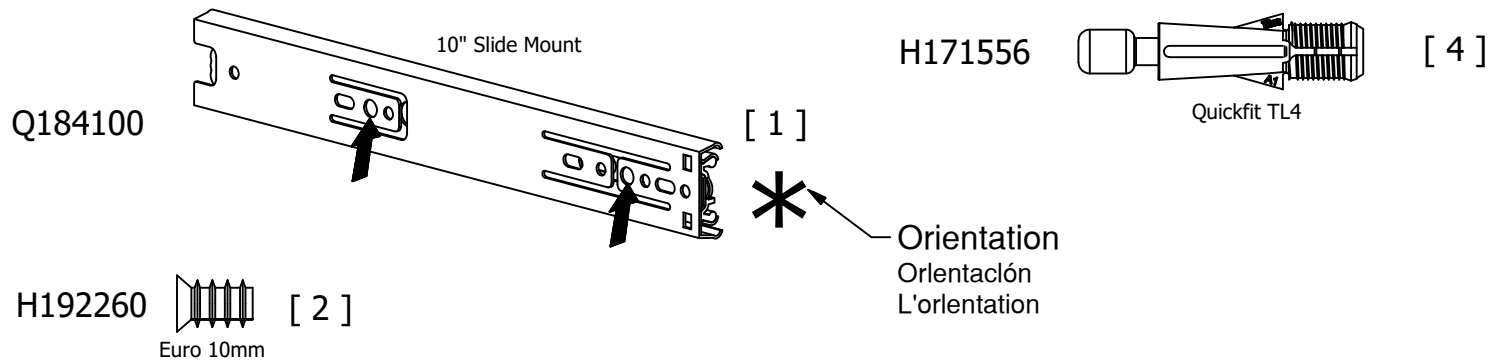
PLACE FOAM PACKAGING UNDER PANEL
LUGAR EMPAQUE DE ESPUMA BAJO PANEL
ENDROIT EMBALLAGE EN MOUSSE SOUS PANNEAU

Have an assembly question or need a replacement part? Just call
1-800-950-4782, we are here to help.

STEP 7

Prepare Components

A191487A



Have an assembly question or need a replacement part? Just call
1-800-950-4782, we are here to help.

STEP 8

Assemble Components

A191487A

Scan QR Code to
Watch Video on:



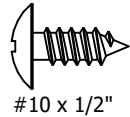
How to Tighten
KD Cams

H181468US



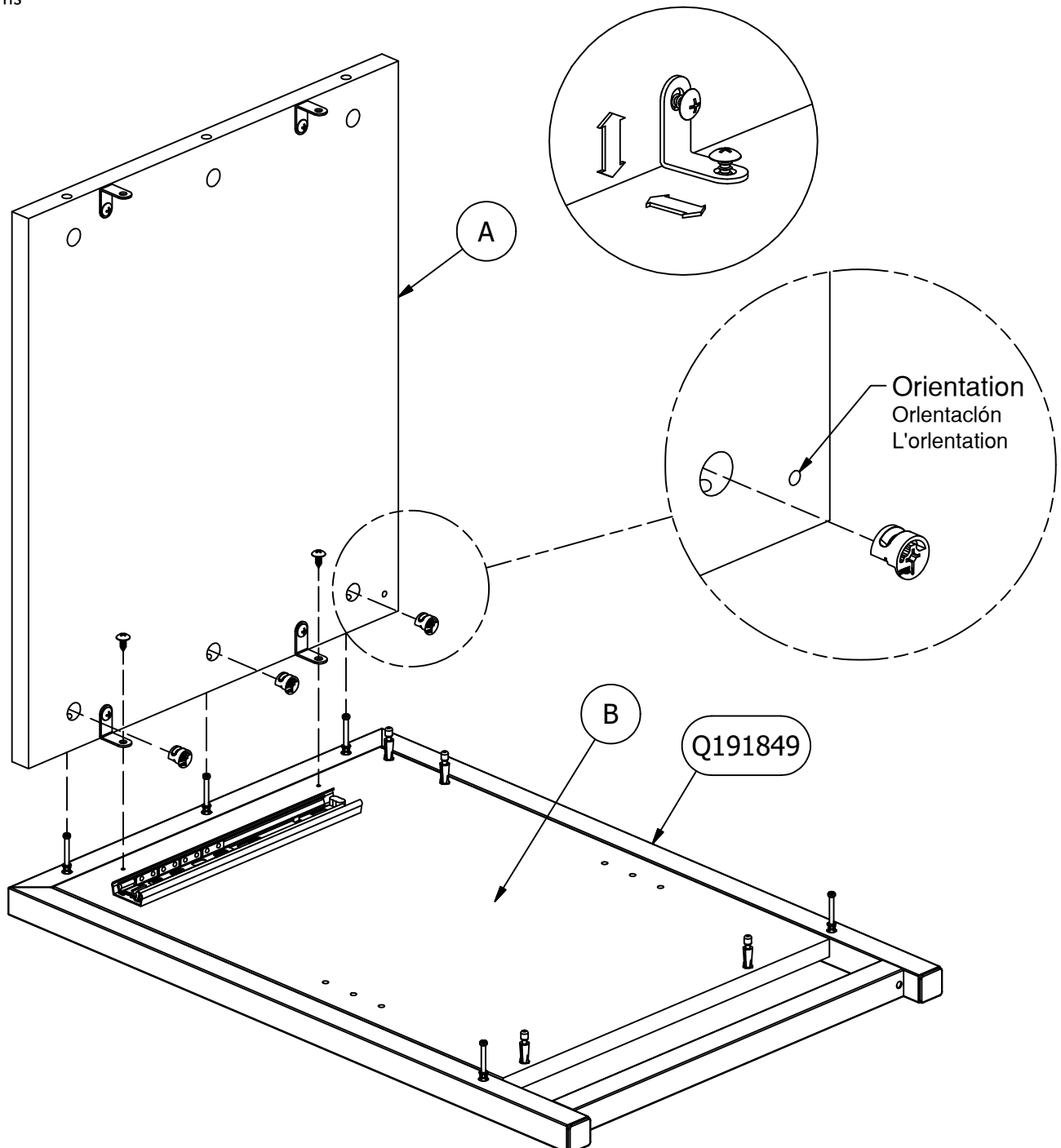
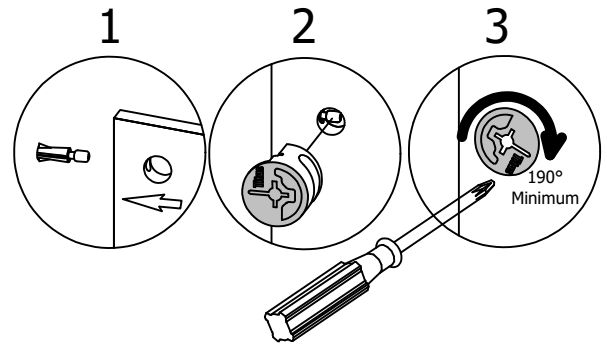
[3]

H35251



[2]

#10 x 1/2"



Have an assembly question or need a replacement part? Just call
1-800-950-4782, we are here to help.

STEP 9

Assemble Panels

A191487A

Scan QR Code to
Watch Video on:

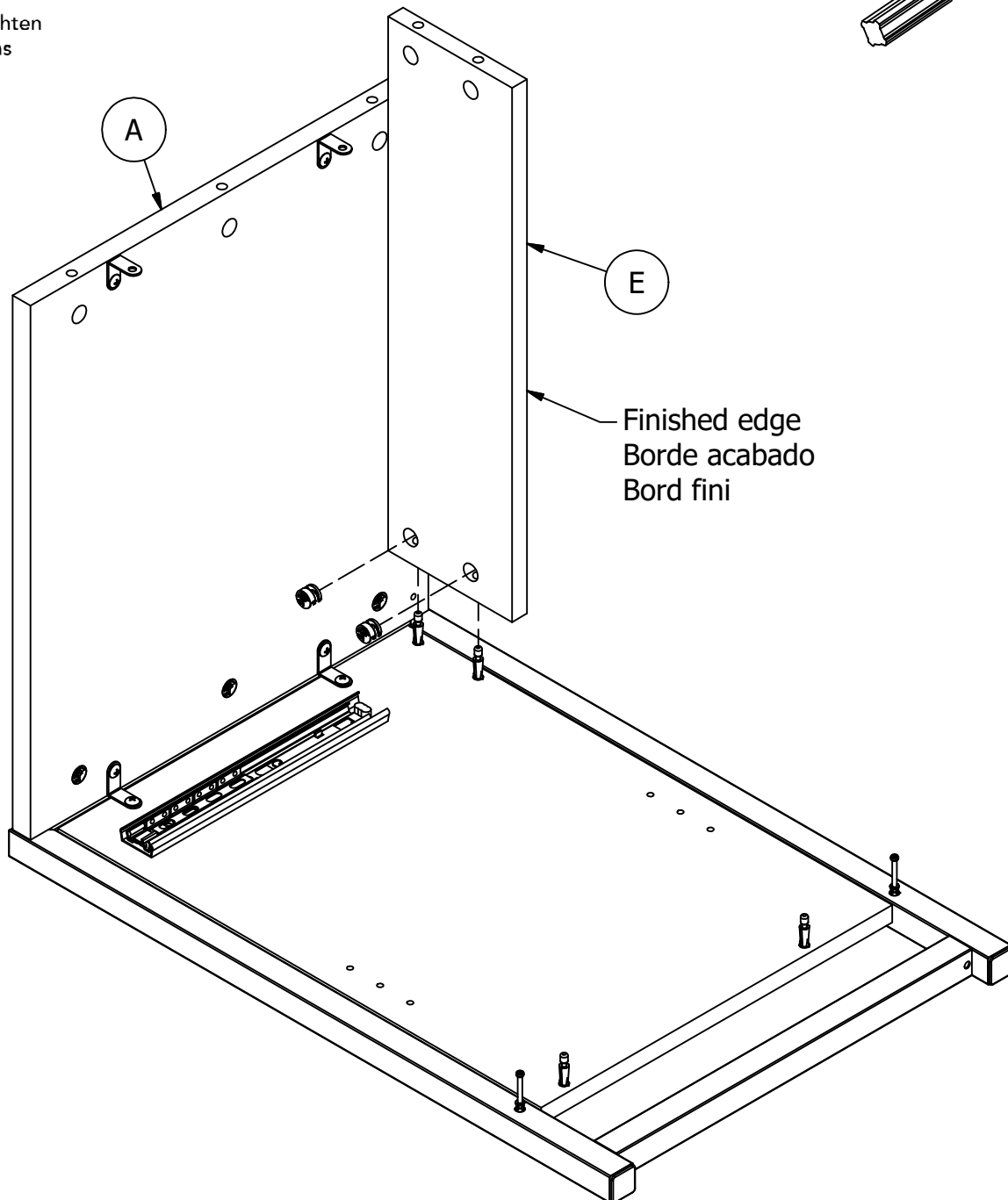
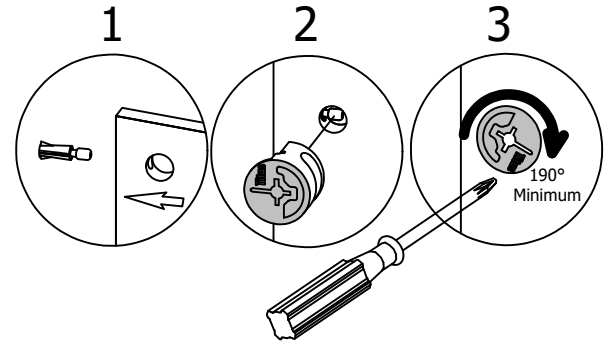


How to Tighten
KD Cams

H181468US



[2]



Have an assembly question or need a replacement part? Just call
1-800-950-4782, we are here to help.

STEP 10

Assemble Components

A191487A

Scan QR Code to
Watch Video on:



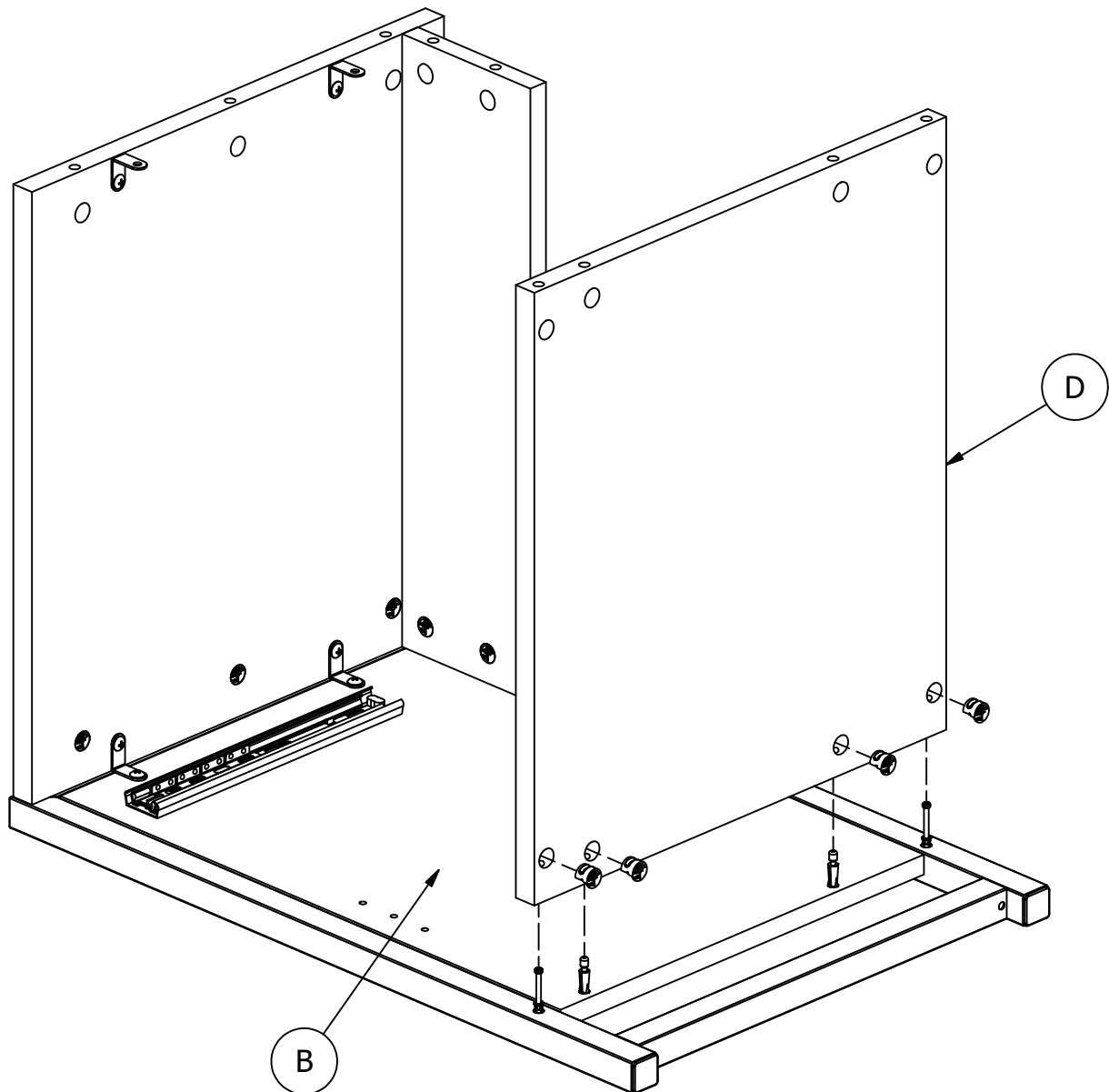
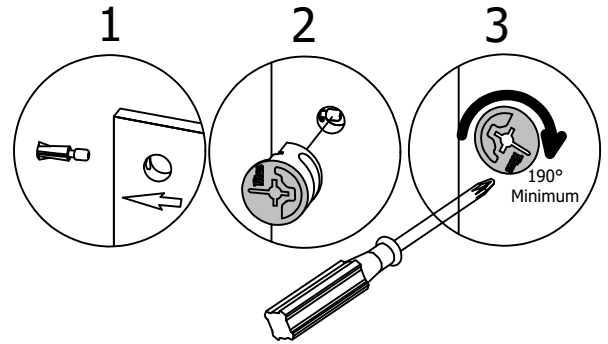
How to Tighten
KD Cams

H181468US



KD Cam3000

[4]

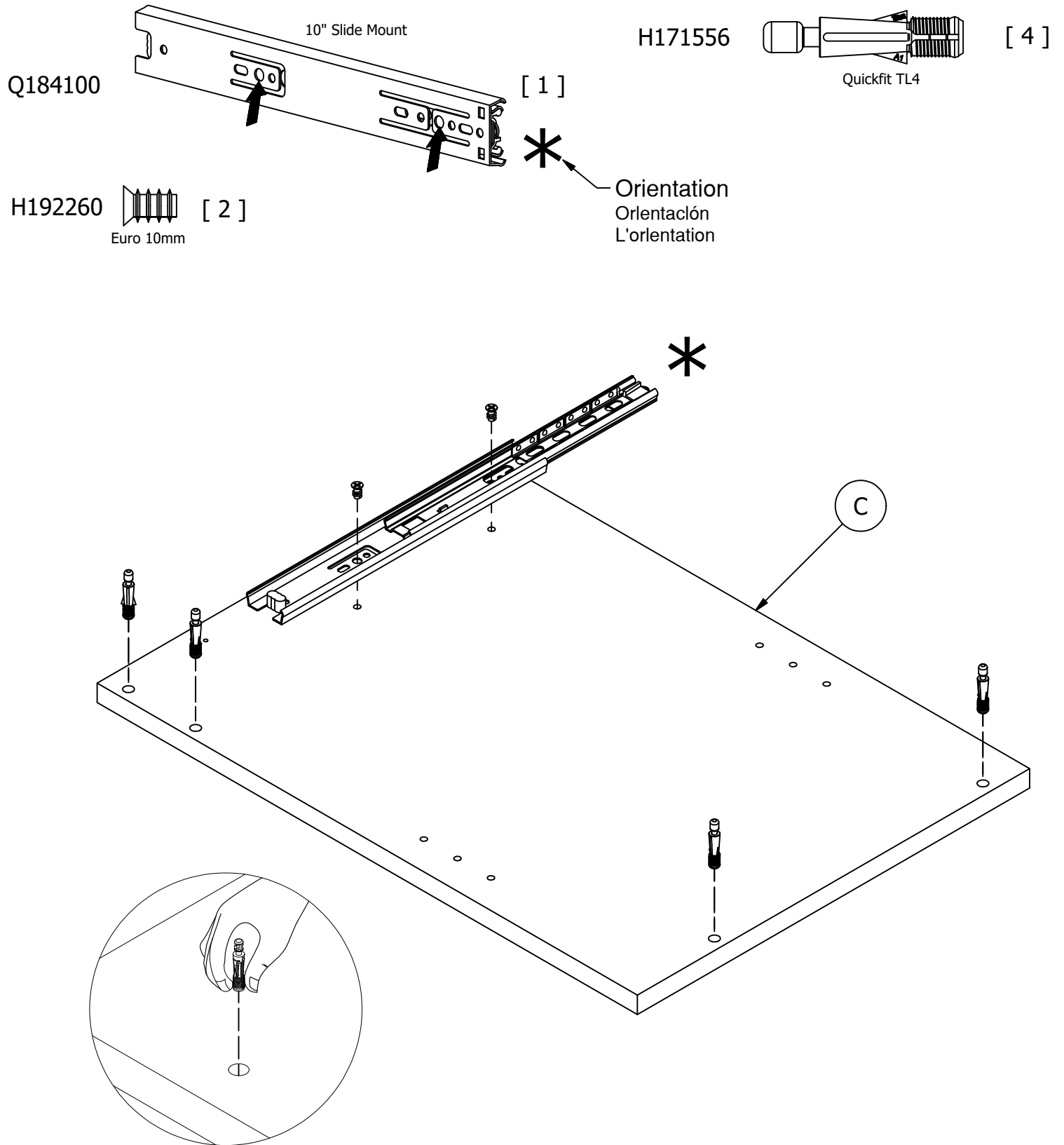


Have an assembly question or need a replacement part? Just call
1-800-950-4782, we are here to help.

STEP 11

Prepare Panel

A191487A



Have an assembly question or need a replacement part? Just call
1-800-950-4782, we are here to help.

STEP 12

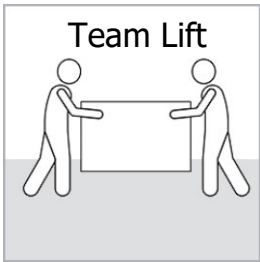
Assemble Panels

A191487A

Scan QR Code to
Watch Video on:



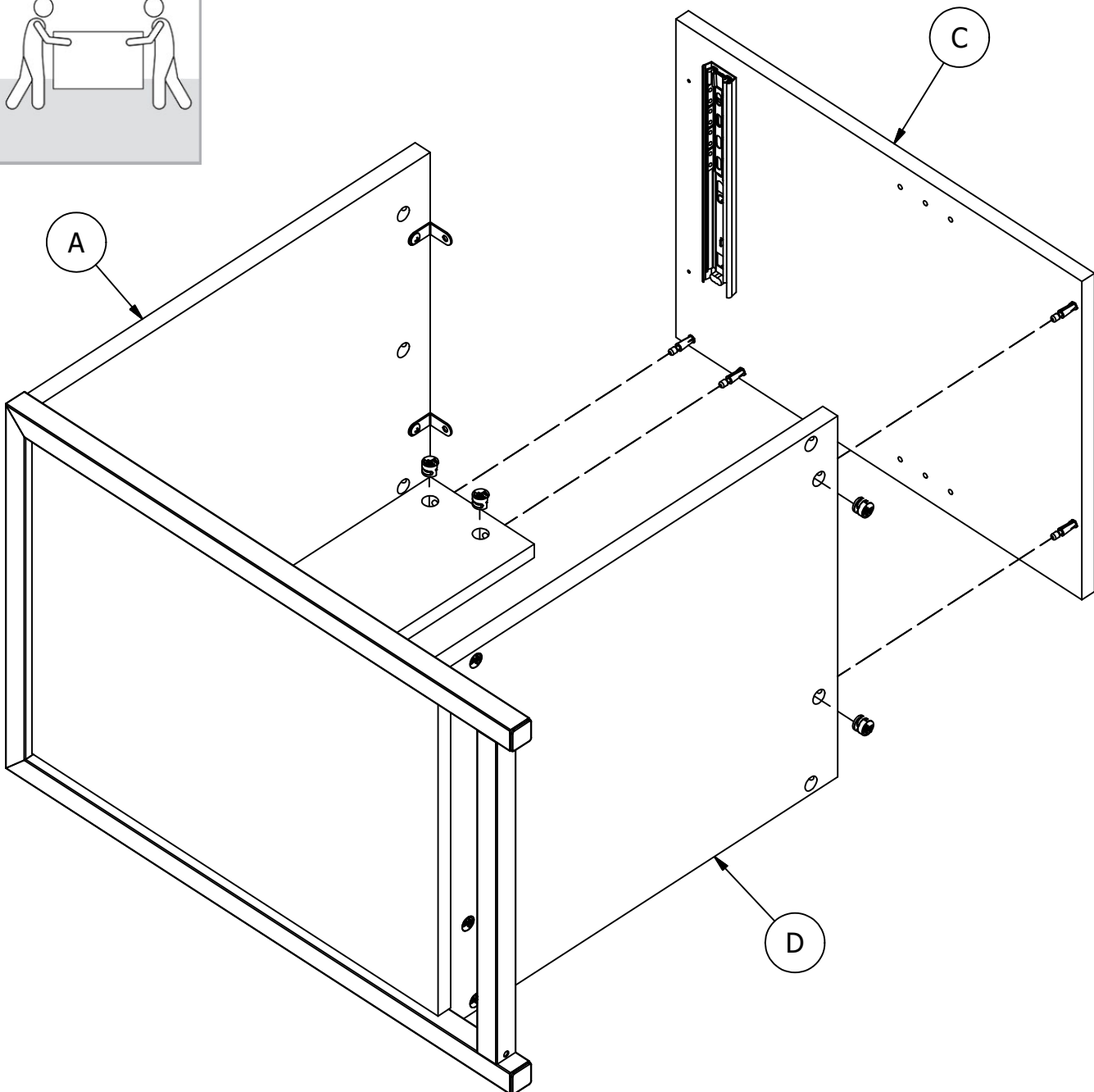
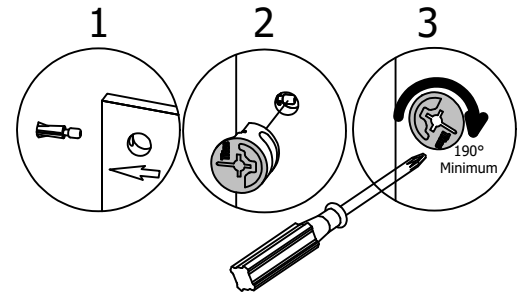
How to Tighten
KD Cams



H181468US



[4]



Have an assembly question or need a replacement part? Just call
1-800-950-4782, we are here to help.

STEP 13

Assemble Components

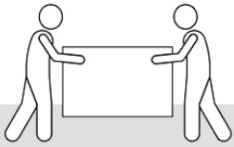
A191487A

Scan QR Code to
Watch Video on:



How to Tighten
KD Cams

Team Lift



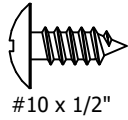
H181468US



KD Cam3000

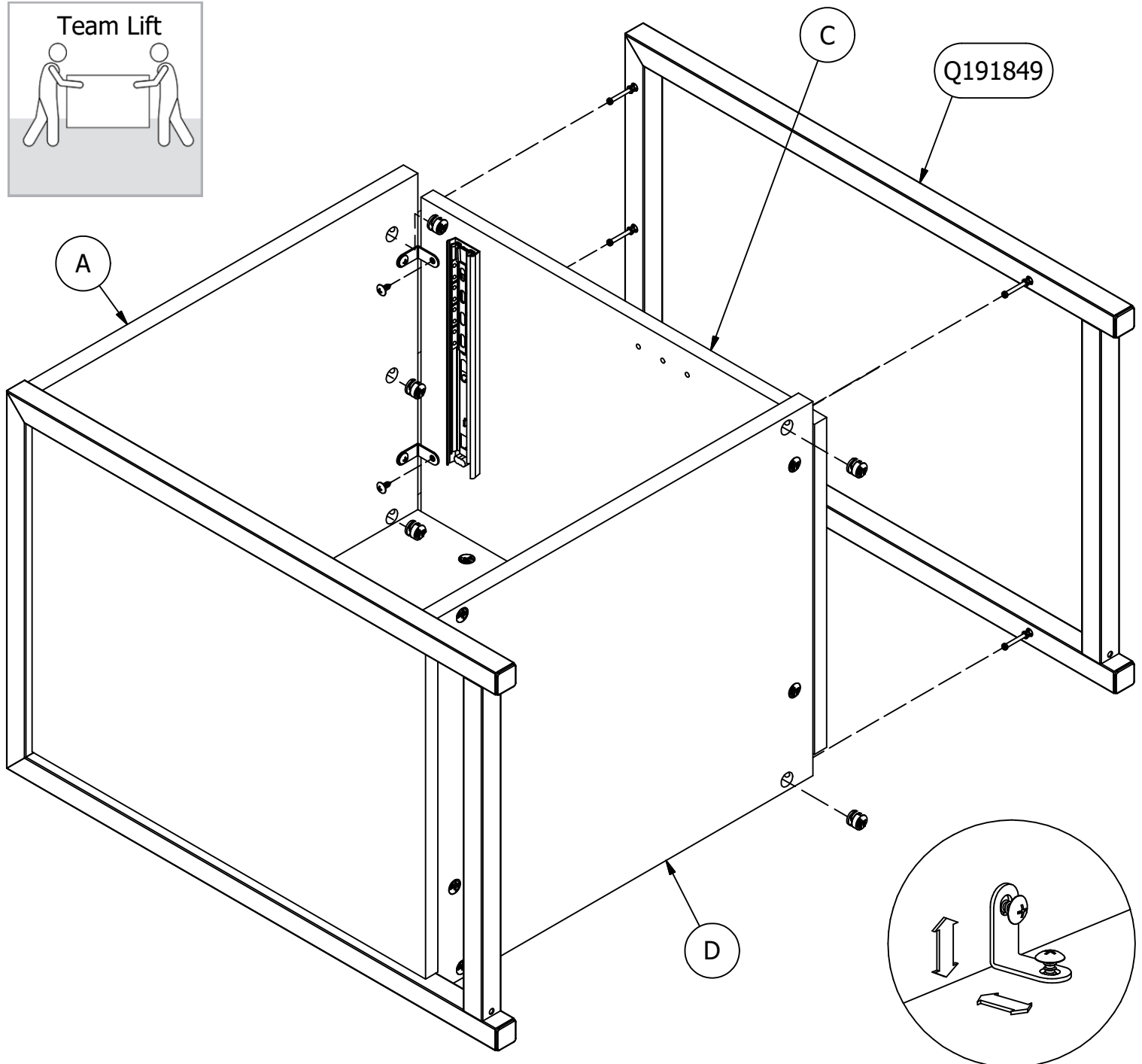
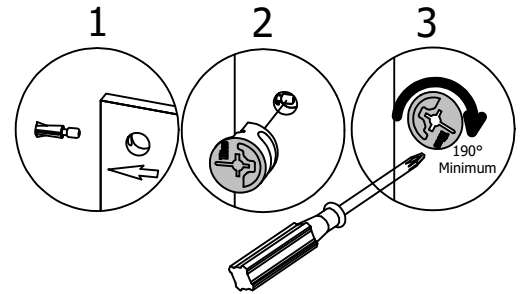
[5]

H35251

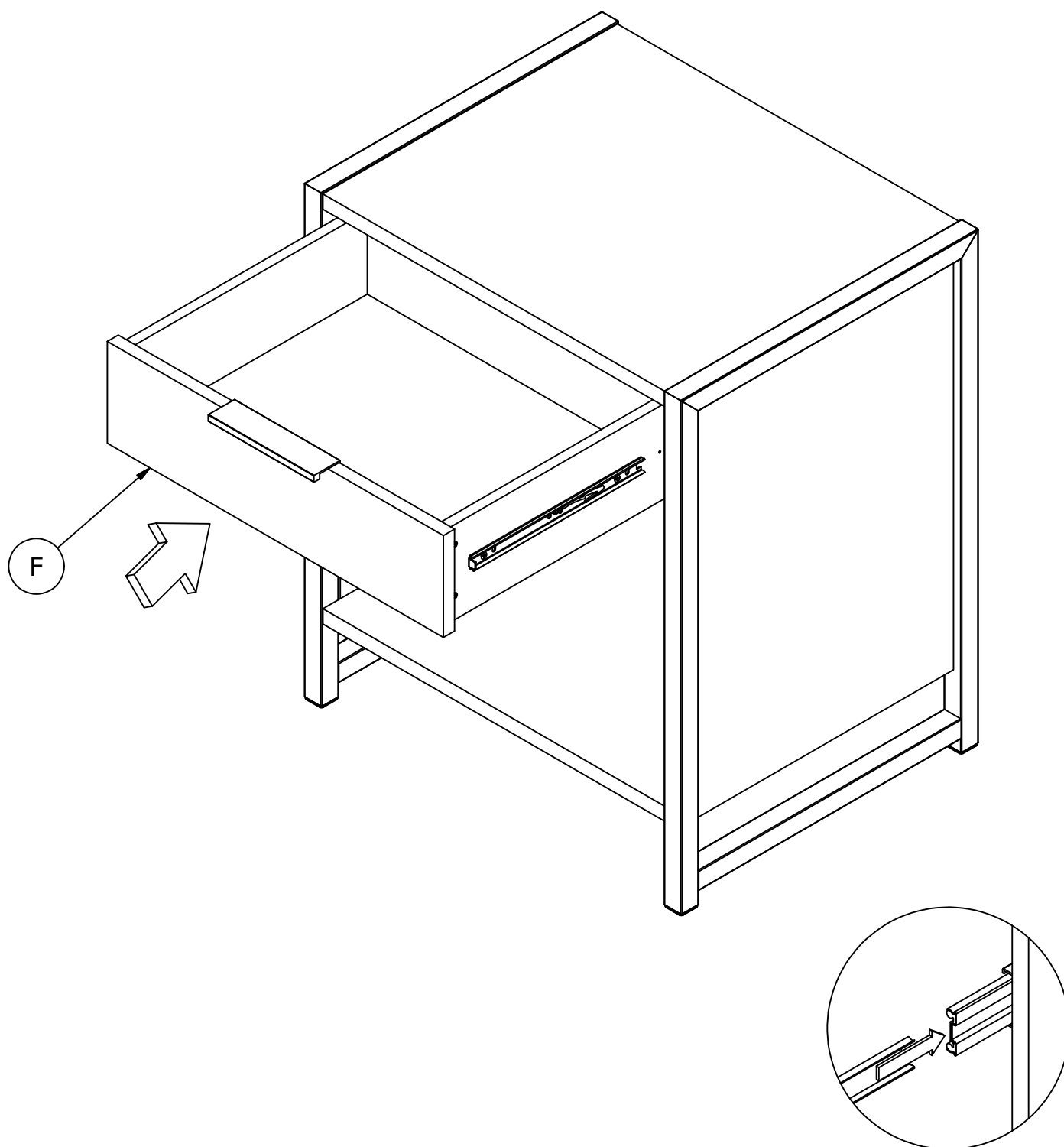


[2]

#10 x 1/2"



Have an assembly question or need a replacement part? Just call
1-800-950-4782, we are here to help.



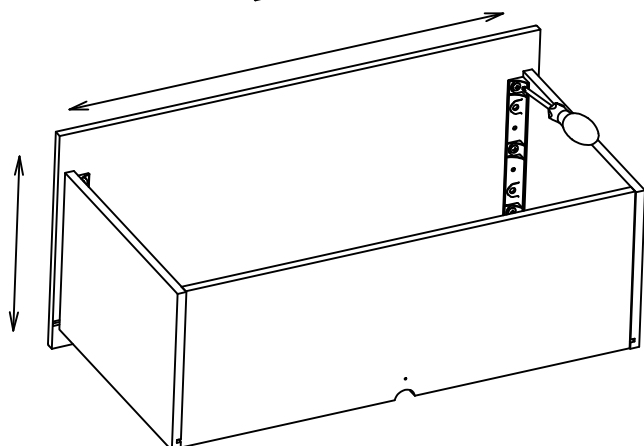
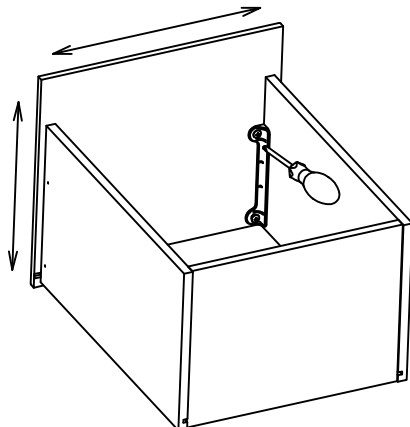
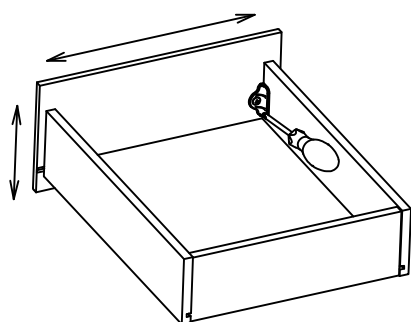
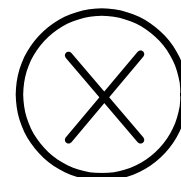
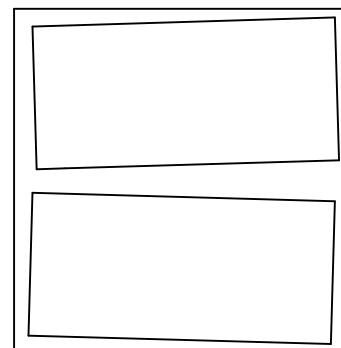
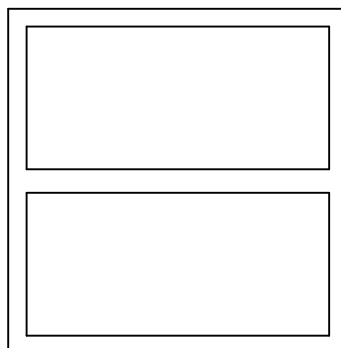
Have an assembly question or need a replacement part? Just call
1-800-950-4782, we are here to help.

Scan QR Code to
Watch Video on:



How to Adjust
Drawer Fronts

DRAWER FRONT VIEW



REQUIRED TOOL: PHILLIPS SCREWDRIVER

HERRAMIENTA REQUERIDA: DESTORNILLADOR PHILLIPS
OUTIL REQUIS: TOURNEVIS CRUCIFORME



1. LOOSEN SCREWS.
2. ADJUST DRAWER FRONTS.
3. TIGHTEN SCREWS.

1. Afloje los tornillos
2. Ajustar frentes de cajón
3. Apriete los tornillos

1. Desserrer les vis
2. Ajuster les façades des tiroirs
3. Serrer les vis

Have an assembly question or need a replacement part? Just call
1-800-950-4782, we are here to help.

STEP 16

Insert Adjustable Shelf

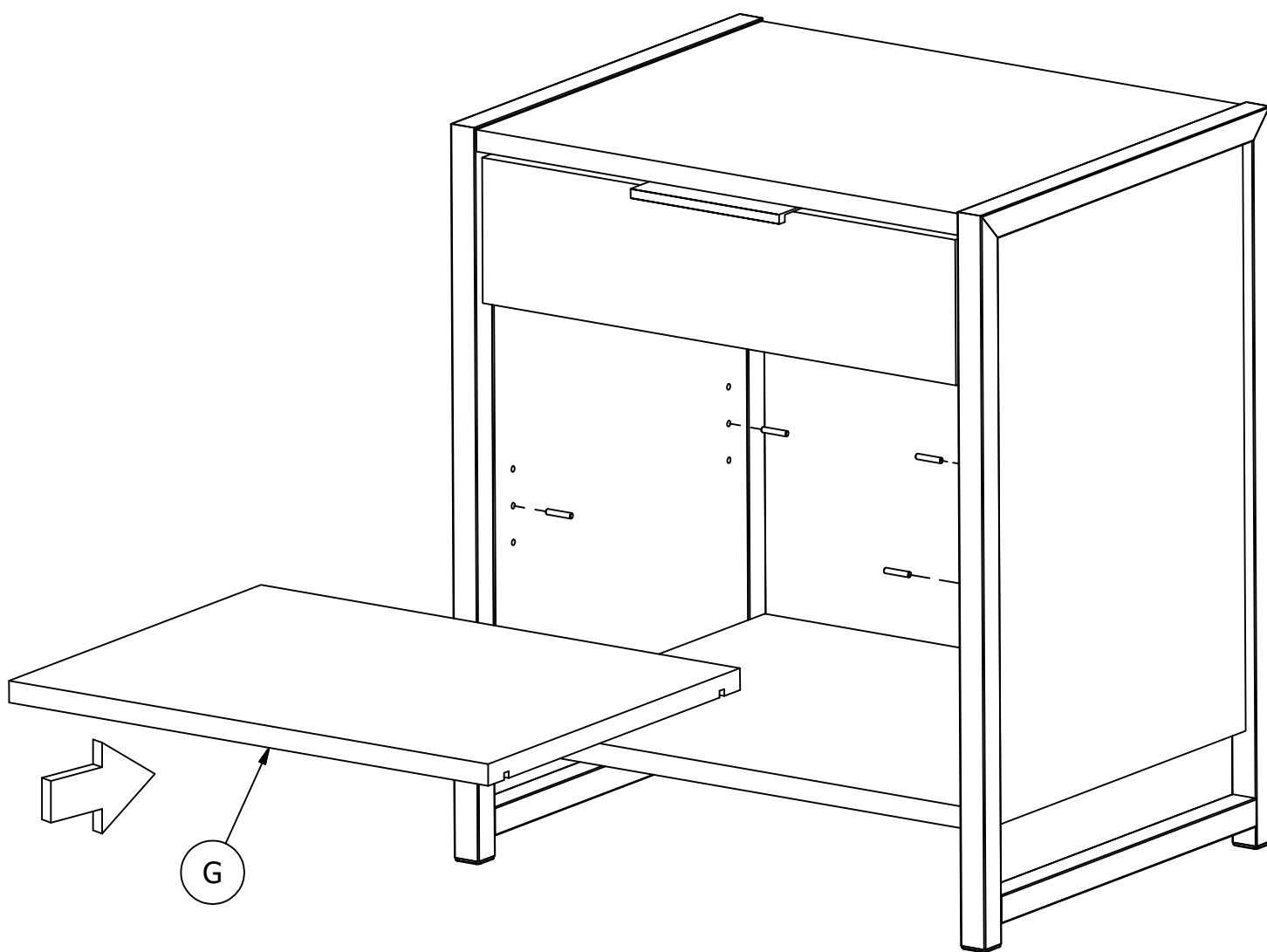
A191487A

H23604



Shelf Pin

[4]



Have an assembly question or need a replacement part? Just call
1-800-950-4782, we are here to help.

Secure unit to the wall with a tip-over restraint.

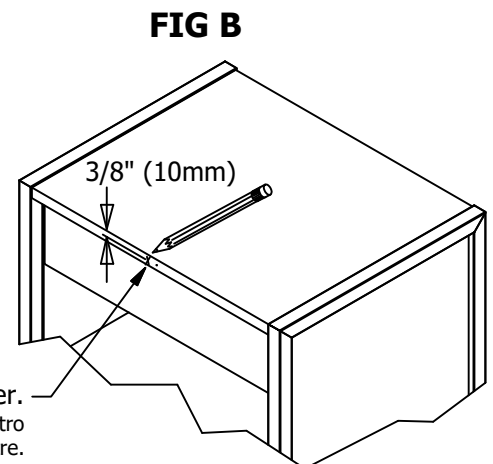
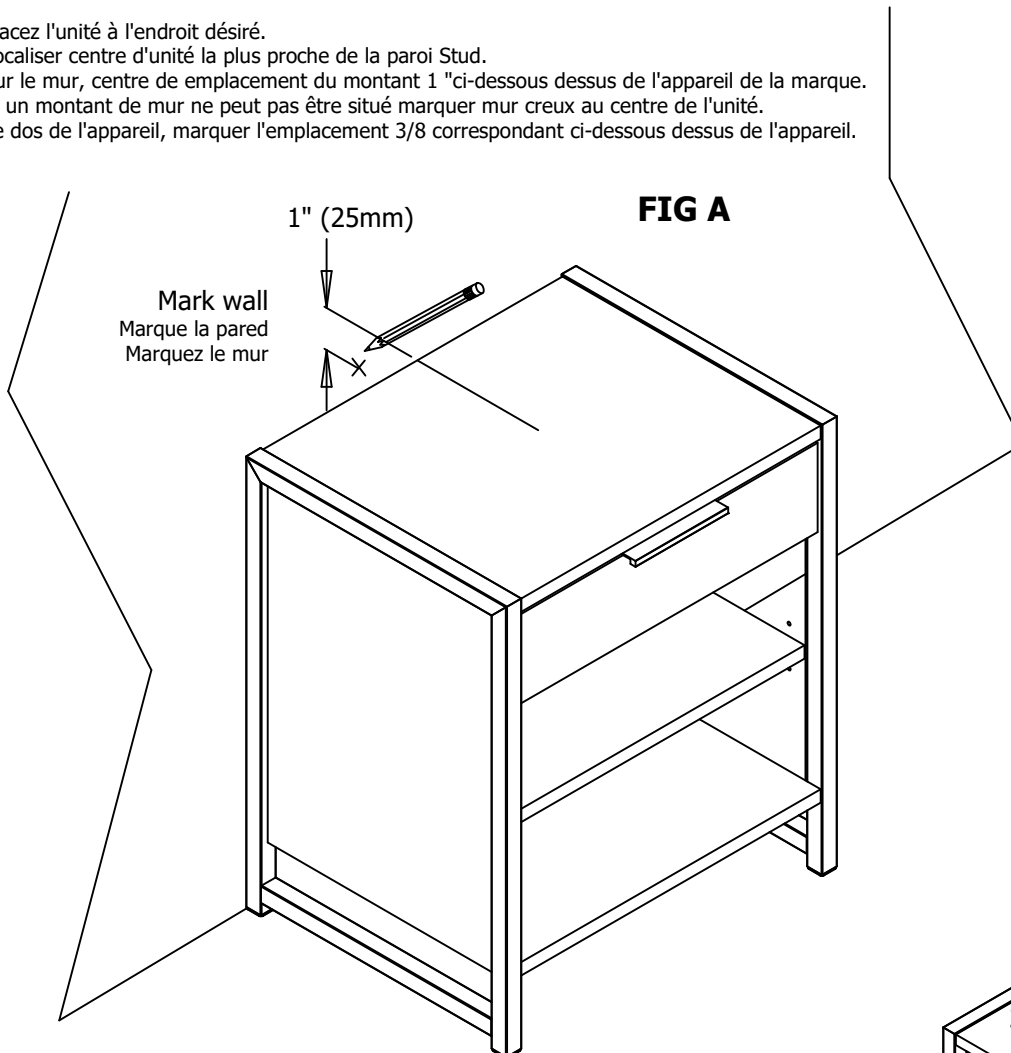
Unidad de seguro a la pared con un sistema de retención de un vuelco.

Fixer l'unité au mur avec un dispositif de retenue renversement.

1. Place unit in desired location.
2. Locate wall stud nearest unit center. **FIG A**
3. On wall, mark center of stud location 1" below top of unit. **FIG A**
4. If a wall stud cannot be located mark hollow wall at unit center. **FIG A**
5. On back of unit, mark corresponding location 3/8" below top of unit. **FIG B**

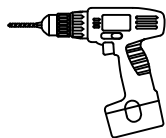
1. Coloque la unidad en el lugar deseado.
2. Localice pie derecho de pared centro de unidad más próxima.
3. En la pared del, marque el centro de la ubicación del montante 1 "abajo la parte superior de la unidad.
4. Si un poste de la pared no se puede localizar marcar pared hueca en el centro de la unidad.
5. En el dorso de la unidad, marque la ubicación 3/8 correspondiente abajo la parte superior de la unidad.

1. Placez l'unité à l'endroit désiré.
2. Localiser centre d'unité la plus proche de la paroi Stud.
3. Sur le mur, centre de emplacement du montant 1 "ci-dessous dessus de l'appareil de la marque.
4. Si un montant de mur ne peut pas être situé marquer mur creux au centre de l'unité.
5. Le dos de l'appareil, marquer l'emplacement 3/8 correspondant ci-dessous dessus de l'appareil.



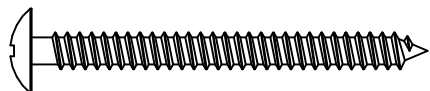
Have an assembly question or need a replacement part? Just call
1-800-950-4782, we are here to help.

WALL STUD ATTACHMENT



Drill 1/8" hole 2" deep at mark on wall.
 Taladro 1/8 "agujero 2" de profundidad en la marca en la pared.
 Percer 1/8 "trou de 2" de profondeur à la marque sur le mur.

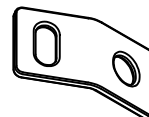
H181434



[1]

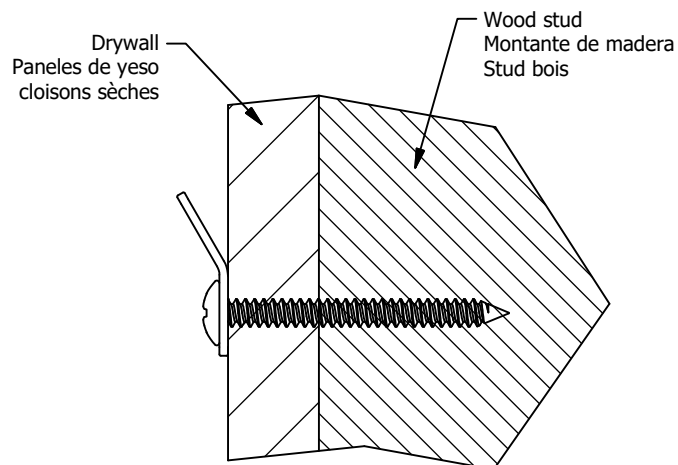
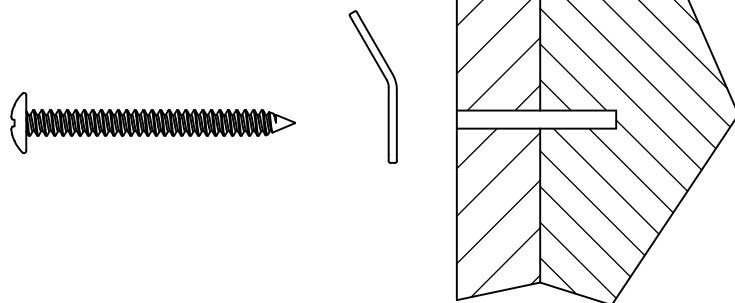
#10 x 2"

H181412

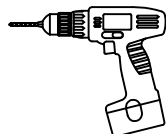


[1]

Connecting Plate

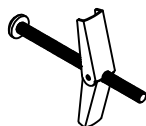


HOLLOW WALL ATTACHMENT



Drill 1/2" hole 1" deep at mark on wall.
 Taladro 1/2 "agujero 1" de profundidad en la marca en la pared.
 Percer 1/2 "trou de 1" de profondeur à la marque sur le mur.

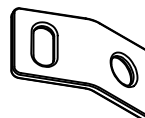
H181419



[1]

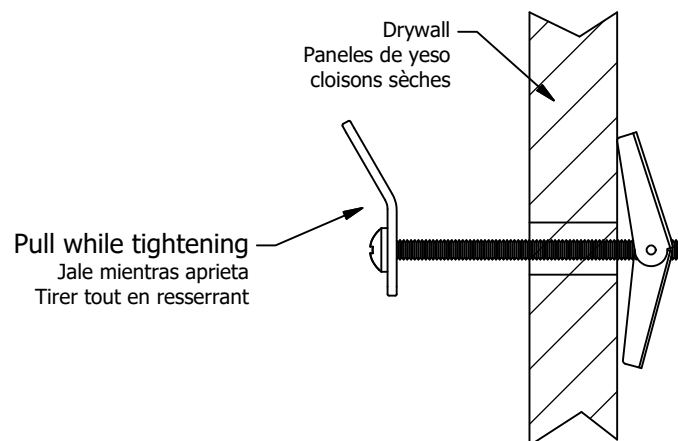
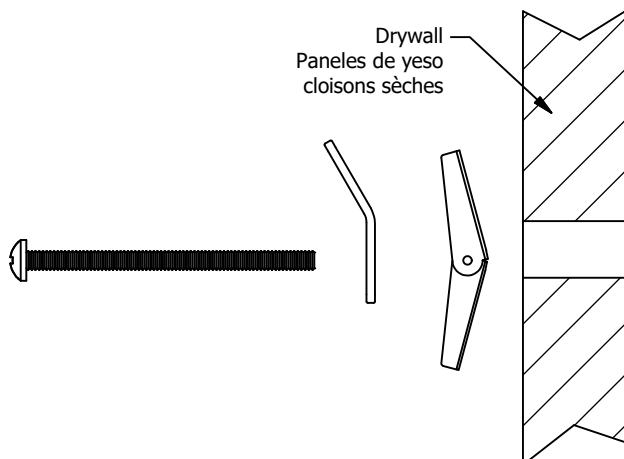
Toggle Bolt

H181412



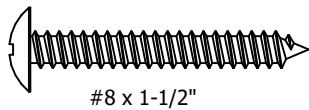
[1]

Connecting Plate



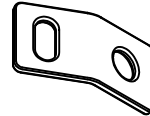
Have an assembly question or need a replacement part? Just call
1-800-950-4782, we are here to help.

H107572



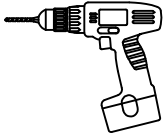
[1]

H181412



[1]

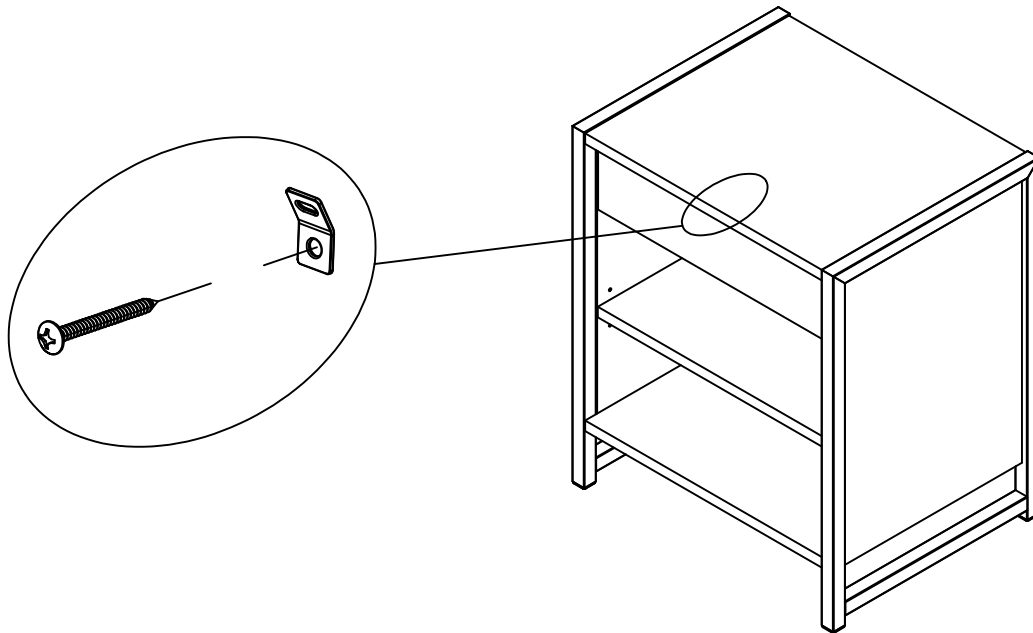
Connecting Plate



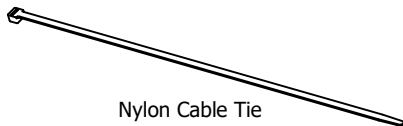
Drill 1/8" hole 1" deep at mark on unit.

Taladro 1/8 "agujero de 1" de profundidad en la marca de la unidad.

Perçer 1/8 "trou 1" de profondeur à la marque sur l'unité.

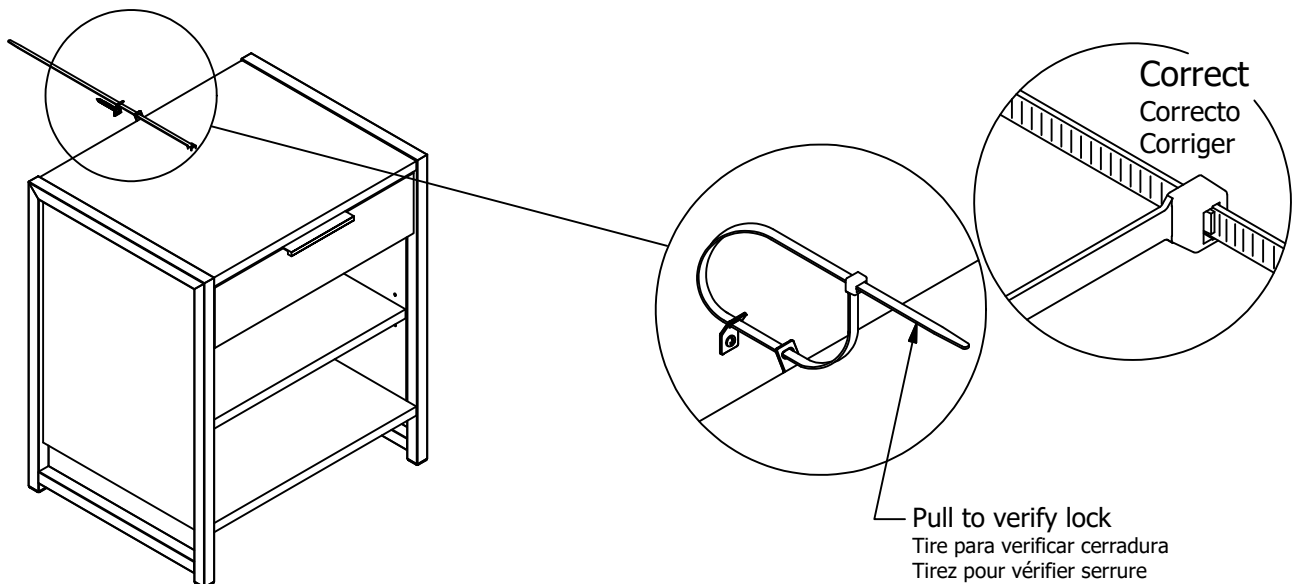


H181411



[1]

Nylon Cable Tie



Pull to verify lock
Tire para verificar cerradura
Tirez pour vérifier serrure

Use replacement cable tie with minimum breaking strength of 120lbs.

Utilice reemplazo empate Cable con resistencia a la rotura mínima de 120 libras.

Utilisez remplacement Attache de câble avec une force de rupture minimale de 120 lbs.

Have an assembly question or need a replacement part? Just call

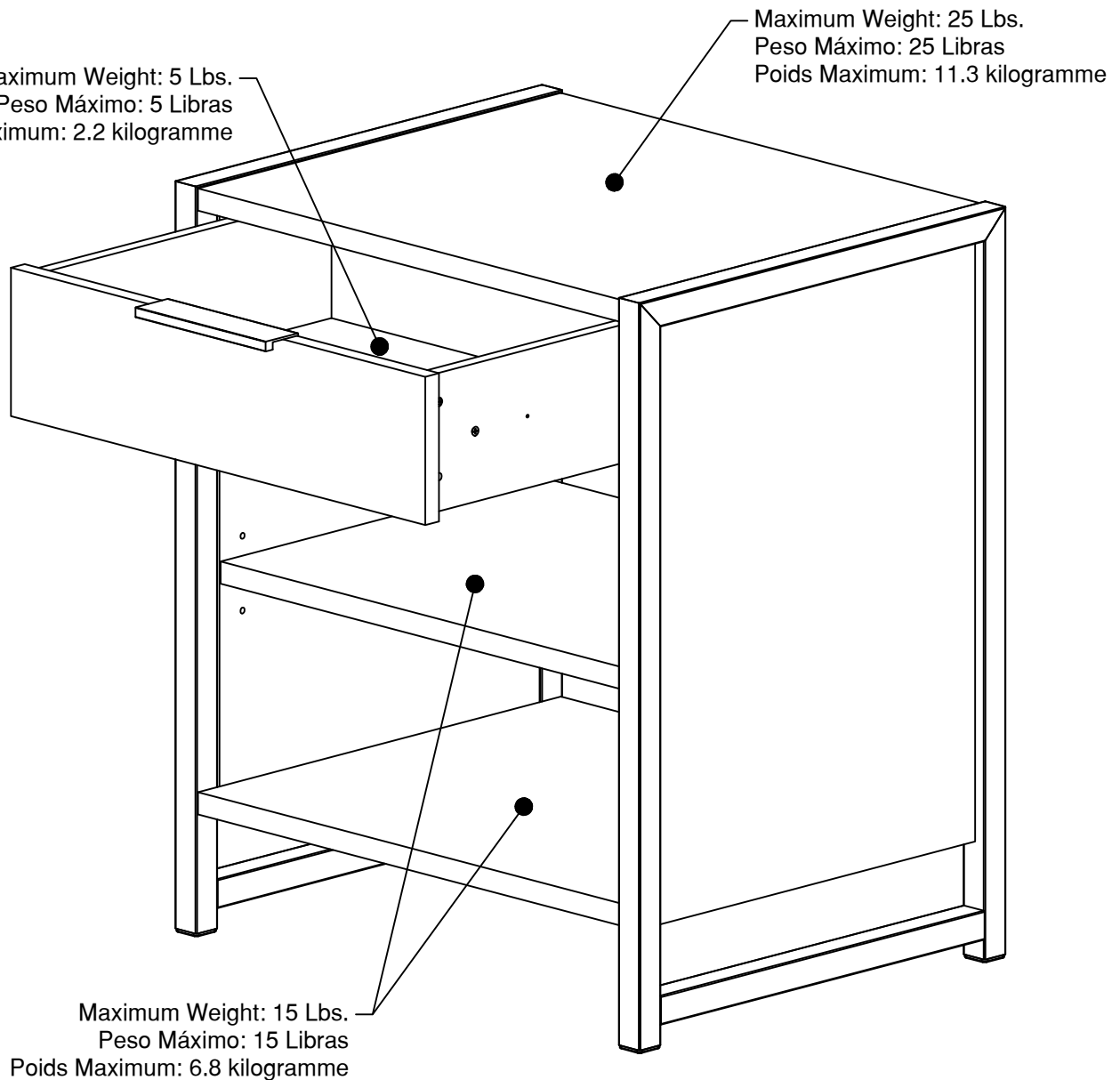
1-800-950-4782, we are here to help.

Scan QR Code to
Watch Video on:



How to Clean
the Surface

Gently clean surfaces with a damp sponge eraser.



Congratulations! You are all done. If
you have any questions or concerns,
please call.

Have an assembly question or need a replacement part? Just call
1-800-950-4782, we are here to help.

ARS119CR			
Label	Qty.	Part Number	Description
A	1	W186669	TOP SHELF
B	1	W186670	LEFT SIDE PANEL
C	1	W186671	RIGHT SIDE PANEL
D	1	W186672	BOTTOM SHELF
E	1	W186673	BACK PANEL
F	1	W186674	DRAWER FRONT
G	1	W186675	ADJUSTABLE SHELF
H	2	W107108	DRAWER SIDE
I	1	W196594	DRAWER BACK
J	1	W184272	DRAWER BOTTOM
Q191849	2	Q191849	METAL FRAME ASSEMBLY

ARS119MH			
Label	Qty.	Part Number	Description
A	1	W206555	TOP SHELF
B	1	W206556	LEFT SIDE PANEL
C	1	W206557	RIGHT SIDE PANEL
D	1	W206558	BOTTOM SHELF
E	1	W206559	BACK PANEL
F	1	W206560	DRAWER FRONT
G	1	W206561	ADJUSTABLE SHELF
H	2	W107108	DRAWER SIDE
I	1	W196594	DRAWER BACK
J	1	W184272	DRAWER BOTTOM
Q191849	2	Q191849	METAL FRAME ASSEMBLY

ARS119PG			
Label	Qty.	Part Number	Description
A	1	W206562	TOP SHELF
B	1	W206563	LEFT SIDE PANEL
C	1	W206564	RIGHT SIDE PANEL
D	1	W206565	BOTTOM SHELF
E	1	W206566	BACK PANEL
F	1	W206567	DRAWER FRONT
G	1	W206568	ADJUSTABLE SHELF
H	2	W107108	DRAWER SIDE
I	1	W196594	DRAWER BACK
J	1	W184272	DRAWER BOTTOM
Q191849	2	Q191849	METAL FRAME ASSEMBLY

Have an assembly question or need a replacement part? Just call
1-800-950-4782, we are here to help.