

ASSEMBLY INSTRUCTION

209221-2304BS TRESTLE DINING TABLE BASE
209221-2304TP TRESTLE DINING TABLE TOP

Thank you for purchasing this quality product. Be sure to check all packing material carefully for small parts, which may have come loose inside the carton during shipment. Identify and count all parts and compare with the Hardware list below.

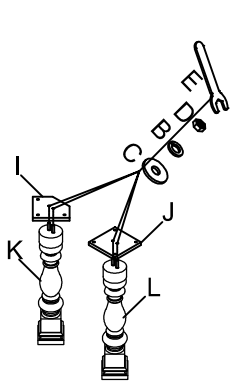


Diagram 1

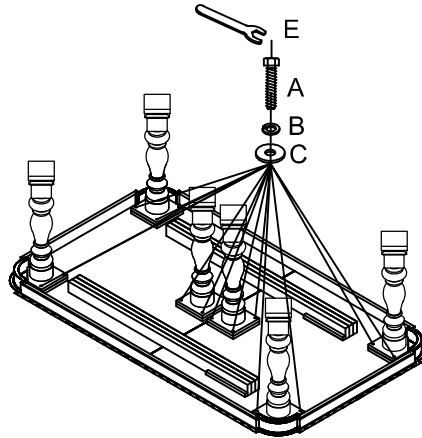


Diagram 2

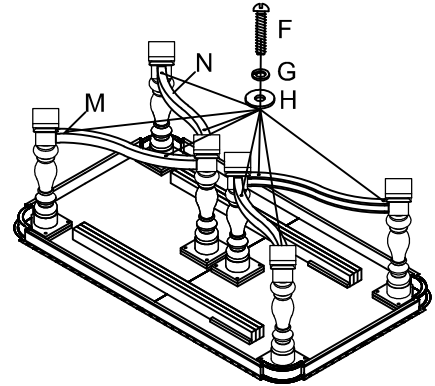


Diagram 3

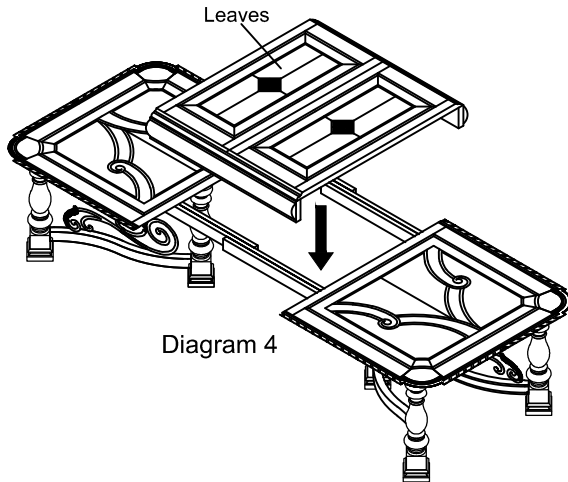
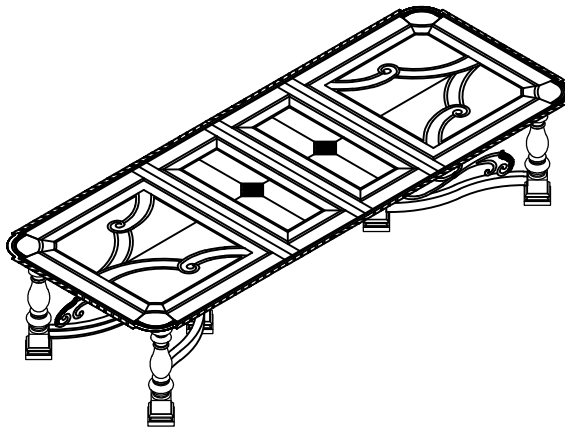


Diagram 4



NO	Hardware List		Q'ty	
A		Bolt	5/16"X1-1/2"	20
B		Lock Washer	5/16"	32
C		Flat Washer	5/16"	32
D		Nut	5/16"	12
E		Wrench	5/16"	1
F		Bolt	1/4"X2"	8
G		Lock Washer	1/4"	8
H		Flat Washer	1/4"	8
I		End Bridge Plate		4
J		Middle Bridge Plate		2
K		End Pedestal		4
L		Middle Pedestal		2
M		LS Stretcher		2
N		RS Stretcher		2

Note: It is recommended that at least two people work together during the assembly process.

Cleaning instruction: Clean the table surface with soft, damp cloth.