



Project _____
 Item # _____
 Quantity _____

Bar Maid® 44 oz Electric 2-Speed Bar Blender

Model: XLB-44

The 44 oz (1.25 liters) commercial-grade blender features a high-performance self-lubricating motor with impact-resistant stainless steel blades, adding power and performance to your busy establishment.

Standard Features

- ◆ Removable container cover and cap for adding/blending ingredients mid-cycle
- ◆ All parts (except base) are dishwasher safe
- ◆ 44 oz (1.25 L), break-resistant and BPA-free Tritan™ container
- ◆ Quiet, high-performance 1/2 hp self-lubricating motor; uniquely designed high-impact blades
- ◆ HIGH/LOW toggle switch for precise consistency control
- ◆ Blade is removable for easy cleaning
- ◆ Non-skid feet securely grip the surface for stable operation
- ◆ ETL listed for electrical safety and sanitation in US and Canada, conforms to UL-197 and CSA C22.2
- ◆ One year parts and labor warranty



XLB-44



TRITAN™
CONTAINER



Parts & Accessories

ITEM	DESCRIPTION
XLB44-P1	Filler Cap
XLB44-P2	Container Lid
XLB44-P3	44 oz (1.25 L) Pitcher
XLB44-P4	Gasket
XLB44-P5	Blade Assembly
XLB44-P6	Collar
XLB44-P7	Clutch
XLB44-P10	Pitcher Assembly

For California Customers

WARNING: Cancer and Reproductive Harm - www.P65Warnings.ca.gov

Winco® | Division of The Foodware Group™

www.wincous.com

New Jersey Headquarters & Distribution Center
 65 Industrial Road, Lodi, NJ 07644
 Phone: 1-888-946-2682 | Fax: 1-973-916-9959

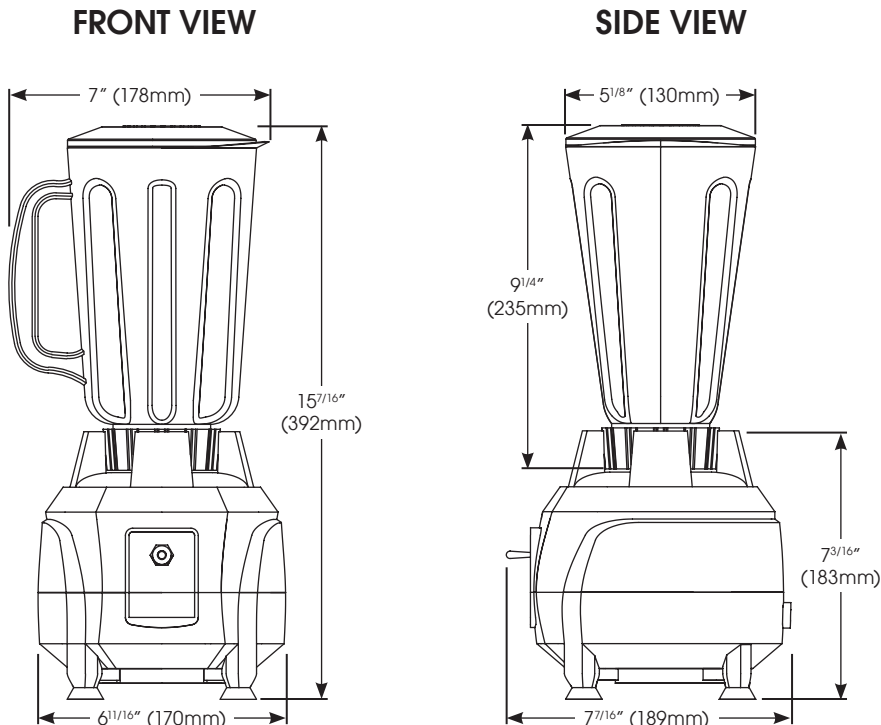
Florida Showroom & Distribution Center
 10800 NW 103rd St. Bldg 22, Ste 11, Miami, FL 33178
 Phone: 1-888-946-2682 | Fax: 1-973-916-9959

Nevada Distribution Center
 3777 Marion Drive, Las Vegas, NV 89115
 Phone: 1-888-946-2682 | Fax: 1-973-916-9959



Bar Maid® 44 oz Electric 2-Speed Bar Blender

Model: XLB-44



Specifications

MODEL	DESCRIPTION	OVERALL DIMENSIONS			VOLTS	HZ	WATTS	AMPS	PLUG	SHIP WEIGHT
		WIDTH	DEPTH	HEIGHT						
XLB-44	44 oz (1.25 L) Bar Maid® 2-Speed Blender	7" (178mm)	7-7/16" (189mm)	15-7/16" (392mm)	120	60	400	3.5	NEMA 5-15P	5.5 lbs (2.5 kgs)
		CONTAINER DIMENSIONS								
		7" (178mm)	5-1/8" (130mm)	9-1/4" (235mm)						

Container Capacity

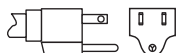
44 oz (1.25 liters)

Cord Location

Back of base, opposite ON/OFF switch

Plug Configuration

NEMA 5-15P



Product Specs

Bar Maid® 44 oz Electric 2-Speed Bar Blender

The BAR MAID® 44 oz (1.25 L) Electric 2-Speed Bar Blender model XLB-44, manufactured by Winco®, Lodi, NJ 07644.

The Electric Bar Blender shall be rated at 120V-60Hz, 400 watts. It shall consist of one (1) 44 oz break-resistant, BPA-free Tritan™ container with removable cover and cap, HIGH/LOW toggle switch for precise consistency control.

High-performance 1/2 hp self-lubricating and quiet motor, unique high-impact blades.

ETL listed for electrical safety and sanitation in US and Canada, conforms to UL-197 and CSA C22.2.

Warranty consists of one year parts and labor.

Winco® | Division of The Foodware Group™

www.winco.us.com

New Jersey Headquarters & Distribution Center
65 Industrial Road, Lodi, NJ 07644
Phone: 1-888-946-2682 | Fax: 1-973-916-9959

Florida Showroom & Distribution Center
10800 NW 103rd St. Bldg 22, Ste 11, Miami, FL 33178
Phone: 1-888-946-2682 | Fax: 1-973-916-9959

Nevada Distribution Center
3777 Marion Drive, Las Vegas, NV 89115
Phone: 1-888-946-2682 | Fax: 1-973-916-9959