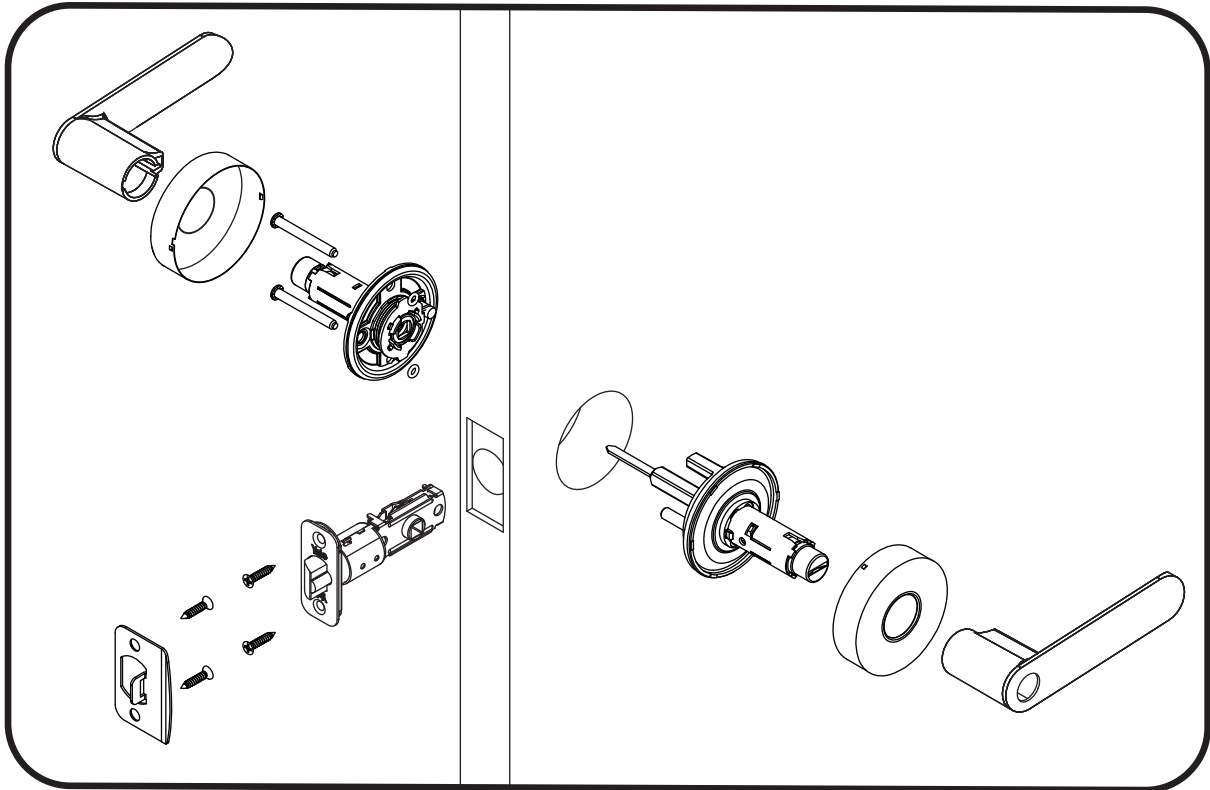
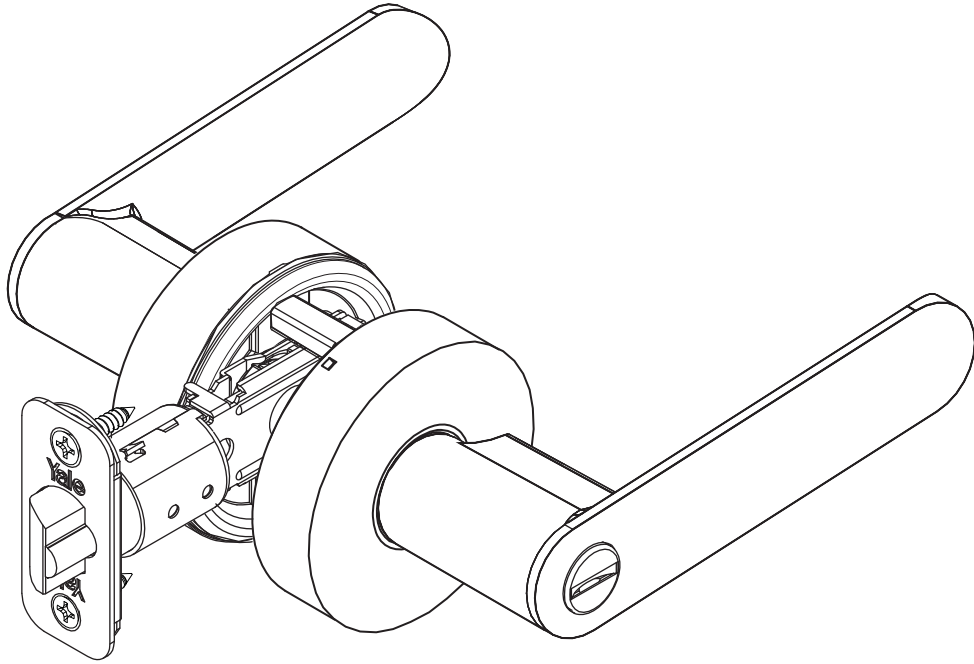


YH Collection™
Kincaid Lever
Installation Instructions



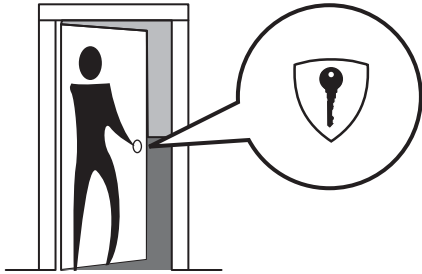
FAILURE TO FOLLOW THESE INSTRUCTIONS COULD RESULT IN DAMAGE TO
THE PRODUCT AND VOID THE FACTORY WARRANTY



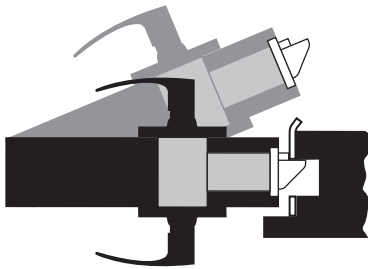
Determining Handing



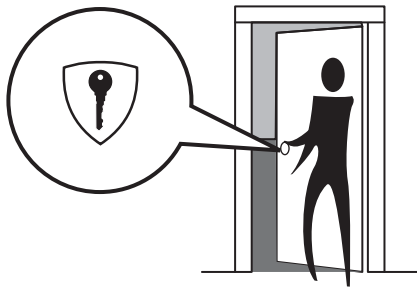
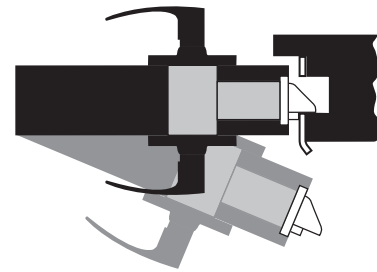
The hand of a door is determined from the secure side of the door. The term "secure" means the side from which you unlock and enter.



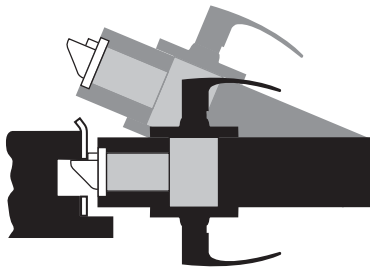
Left Hand "LH", Hinges Left.
Open Inward



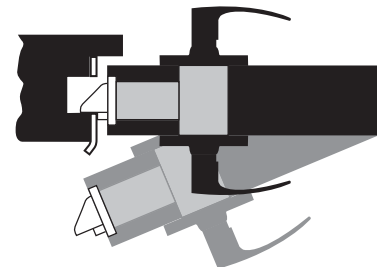
Left Hand Reverse "LHR", Hinges Left.
Open Outward



Right Hand "RH", Hinges Right.
Open Inward

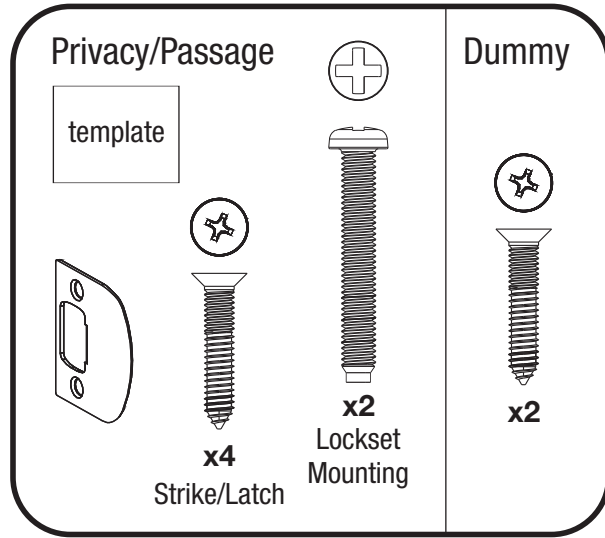


Right Hand Reverse "RHR", Hinges Right.
Open Outward

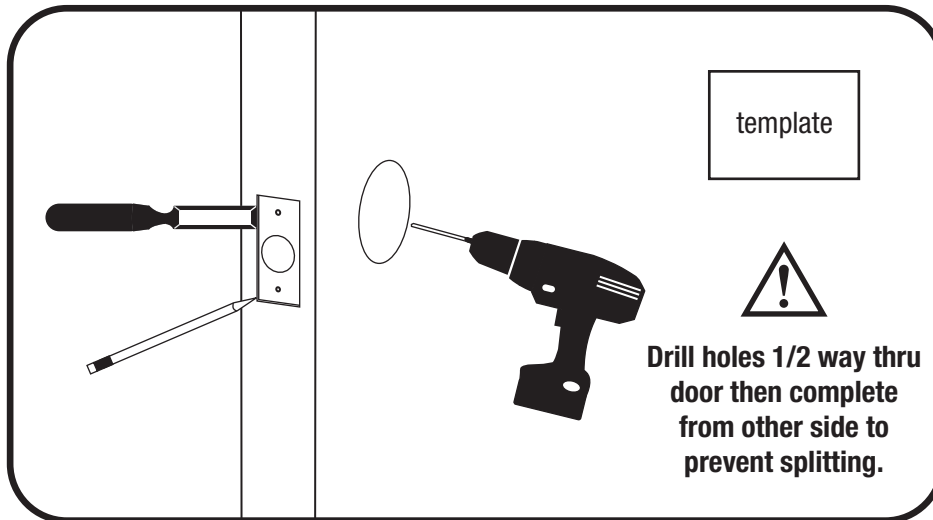




Before You Begin

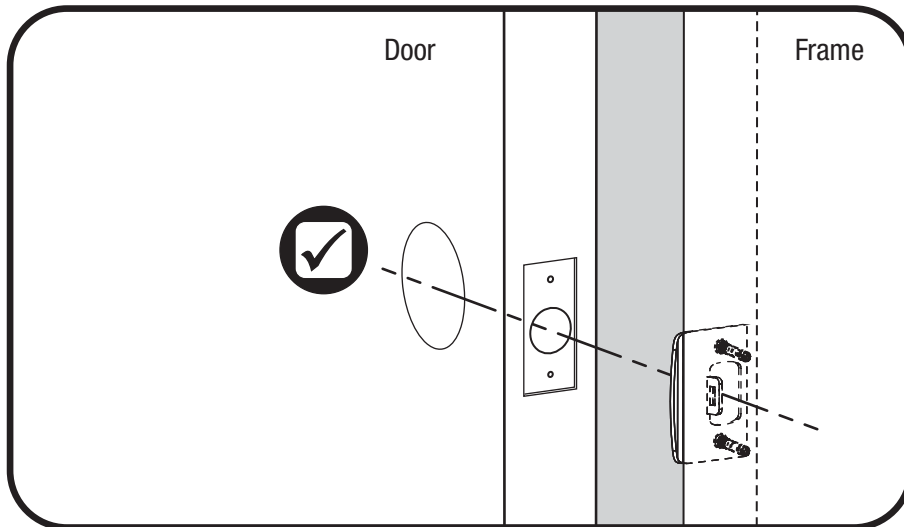
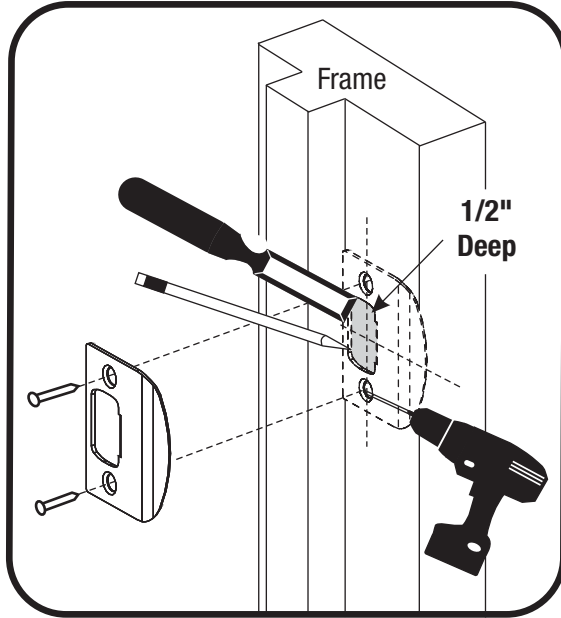
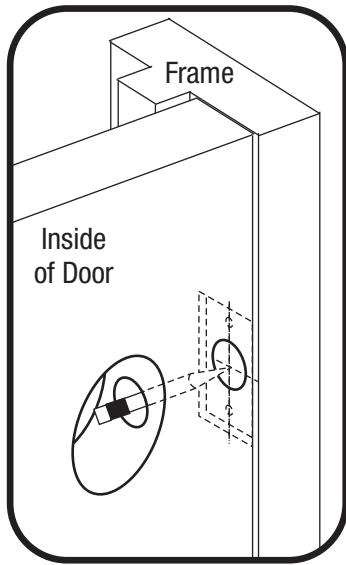
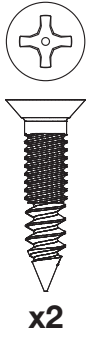


1 Prepare Door (if necessary)



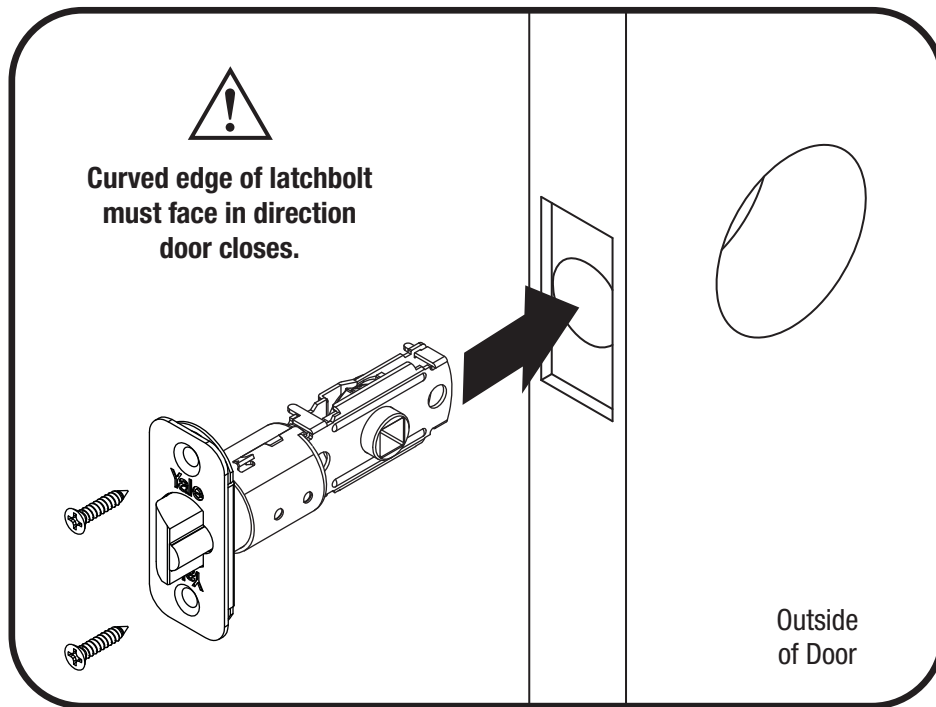
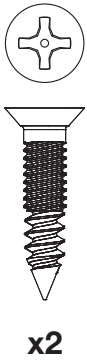
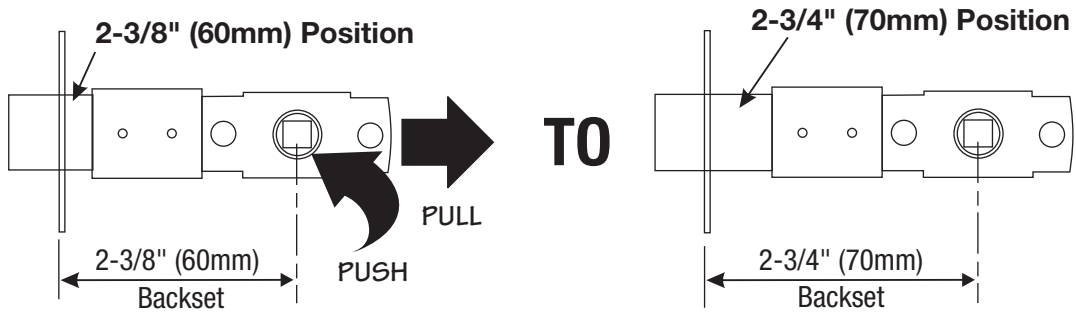
2

Prepare Frame & Install Strike Plate



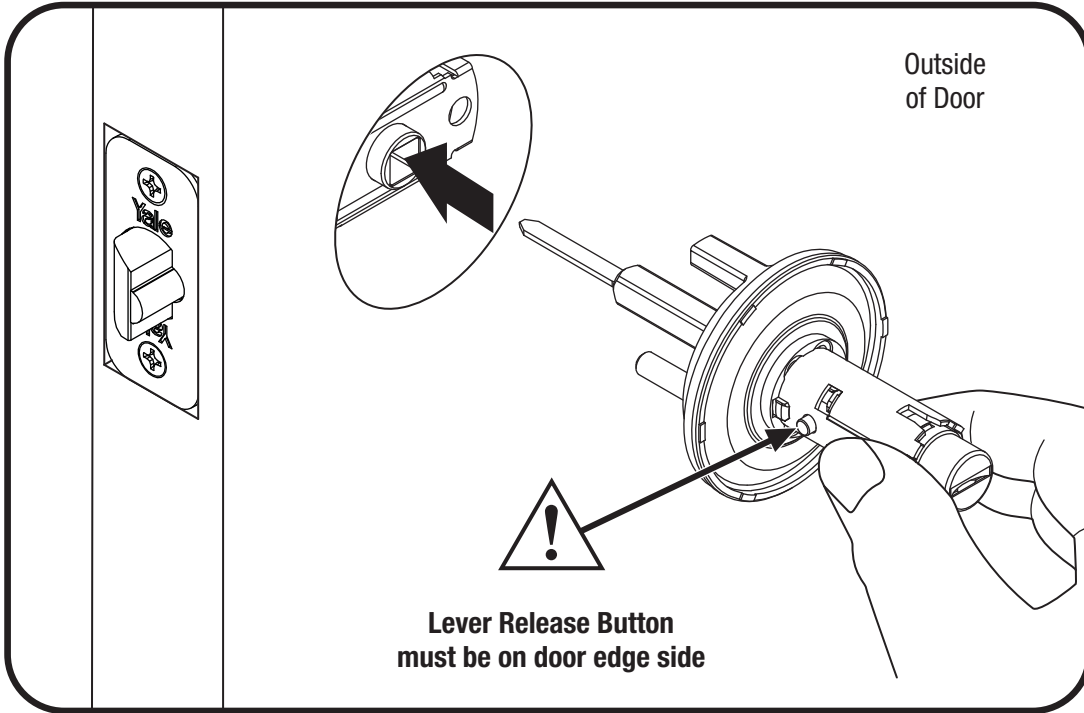
3

Adjust Latch (if necessary) & Install



4

Install Exterior Chassis

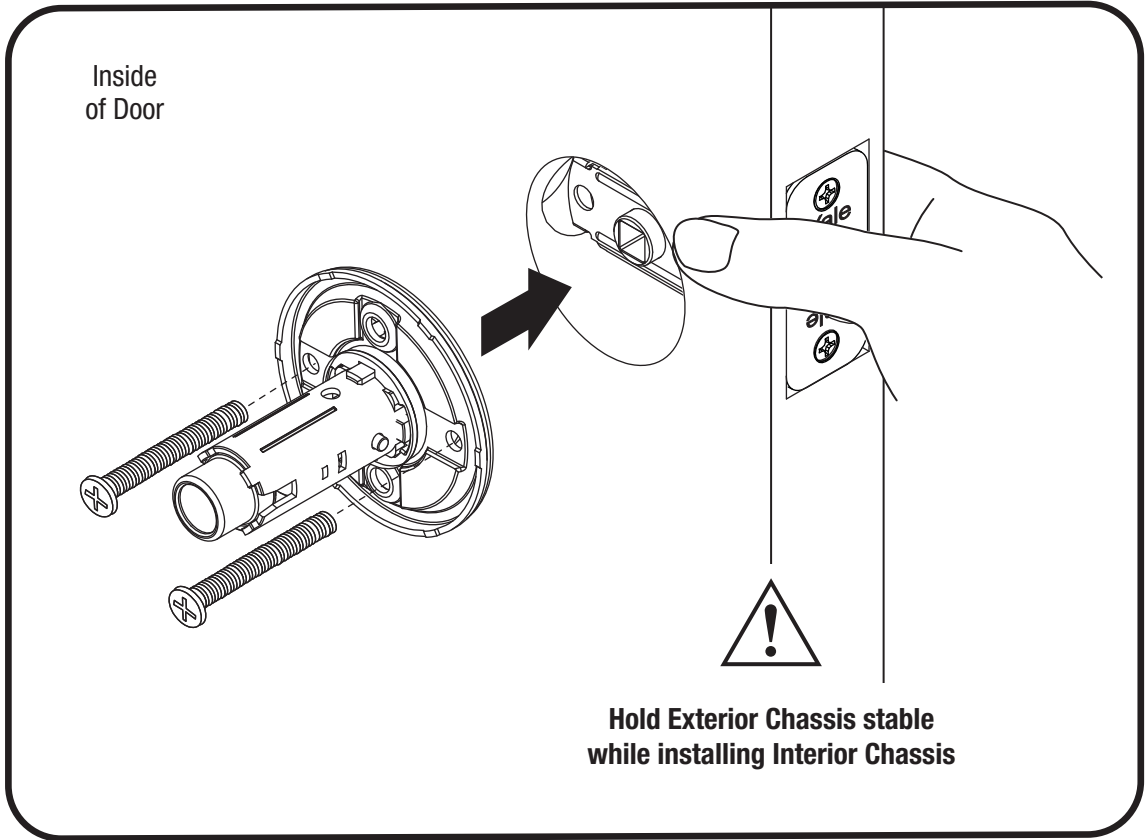


5

Install Interior Chassis

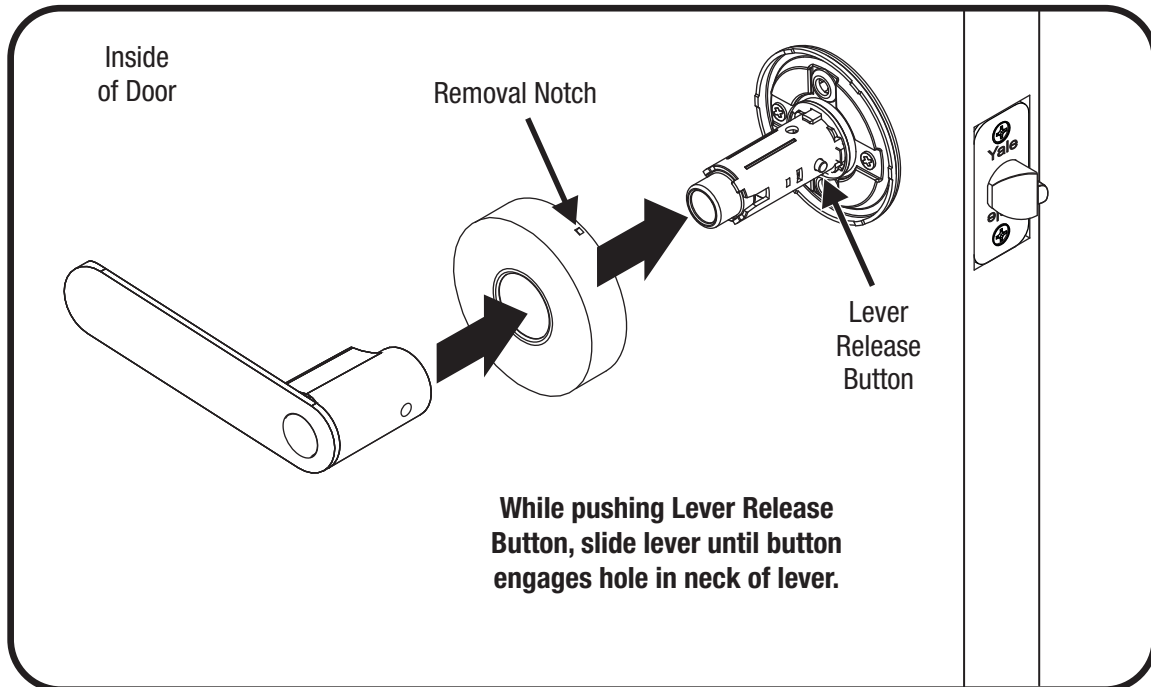


x2



6

Install Interior Rose & Lever



Repeat for Exterior Rose & Lever



Roses and levers “snap” onto chassis.

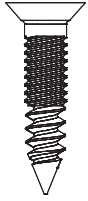
If rose needs to be removed, the best tool is a kitchen fork - place tip of fork in removal notch on rose edge and push on fork prying off rose. Placing paper between door and fork will help prevent damage to door finish.

Levers are NOT HANDED. Exterior and interior levers may be exchanged. To remove lever, push lever release button and pull off lever.

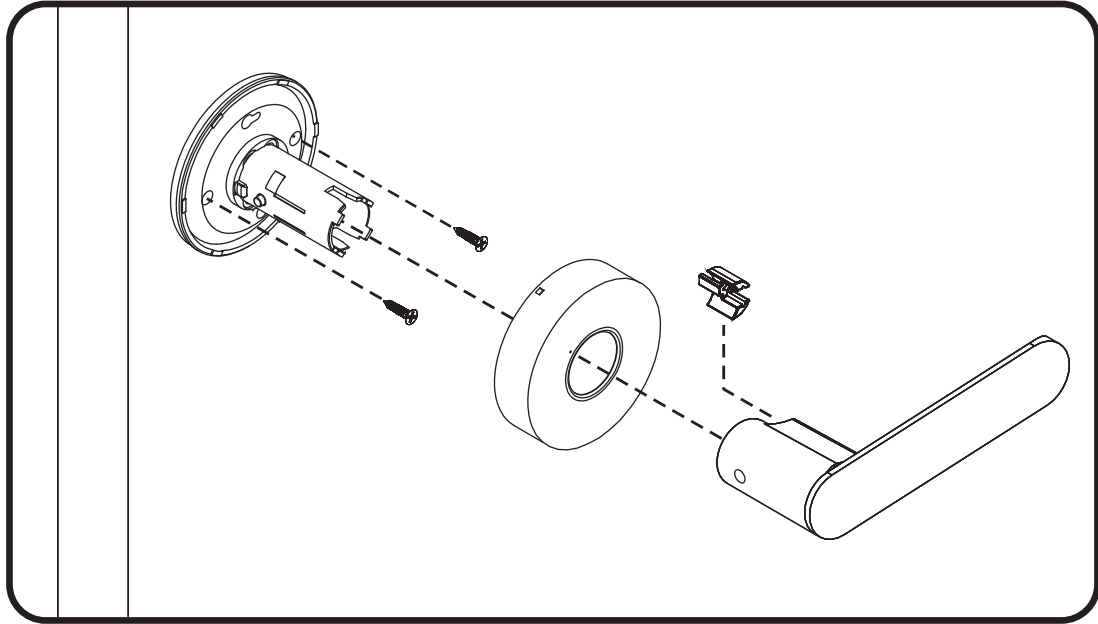
Congratulations, you've installed the
Yale® YH™ Collection Kincaid Lever Lockset!



Dummy Function



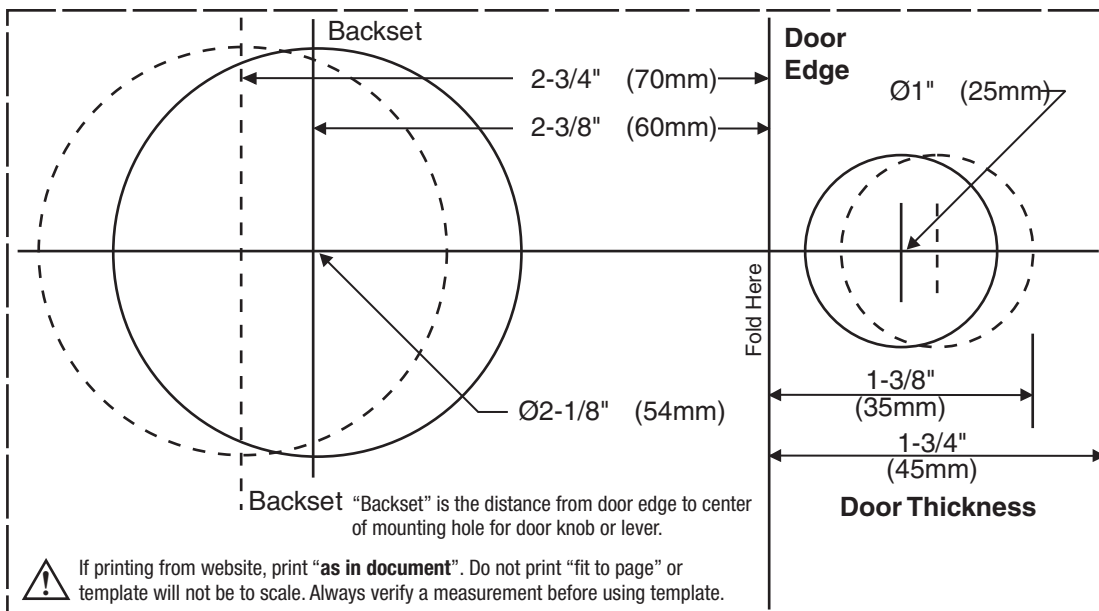
x2



INSTALLATION TEMPLATE



CAUTION: Although a door can be prepared by an untrained person, Yale recommends that measurements and drilling be done by a skilled carpenter or locksmith.



LIFETIME WARRANTY

This product is warranted against mechanical and finish defects for its lifetime to the original purchaser. If a defect does occur, please contact our Customer Service Department at 1-855-213-5841, for detailed warranty redemption information. Yale Security Inc. at its option, will either repair or replace the defective part and/or product. this warranty does not cover defects caused by improper Installation, misuse, or normal wear and tear. YALE SECURITY INC. IS NOT LIABLE FOR INCIDENTAL OR CONSEQUENTIAL DAMAGES. Some states do not allow exclusion of limitation of incidental or consequential damages, so the above exclusion may not apply to you. This warranty gives you specific legal rights, and you may also have other rights that vary from state to state.

Yale Locks & Hardware

Product Support Tel 1-855-213-5841 • www.yalehome.com

Yale Locks & Hardw are is a division of Yale Security Inc., an ASSA ABLOY Group company.

Yale® is a registered trademark of
Yale Security Inc., an ASSA ABLOY Group company.
YH Collection™ is a trademark of Yale Security Inc., an ASSA ABLOY Group company.
Copyright © 2018, Yale Security Inc., an ASSA ABLOY Group company.
All rights reserved. Reproduction in whole or in part without the express written permission
of Yale Security Inc. is prohibited.

YALE, with its unique global reach and range of products, is the world's favorite lock
–the preferred solution for securing your home, family and personal belongings.

ASSA ABLOY is the global leader in door opening solutions,
dedicated to satisfying end-user needs for security, safety and convenience.