

READ AND SAVE THIS INSTRUCTION SHEET

ATTENTION

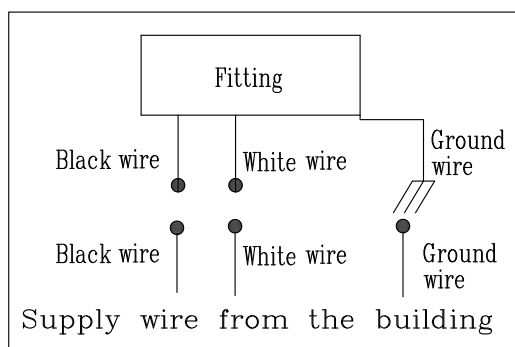
- (1) 1.1 To ensure the success of the installation, be sure to read these instructions and review the diagrams thoroughly before beginning.
- 1.2 All electrical connections must be in accordance with local codes, ordinances, or the National Electrical Code. If you are unfamiliar with the methods of installing electrical wiring, secure the services of a qualified licensed electrician.
- 1.3 These fixtures are intended to be building mounted and must be supported by the building structure.
- 1.4 Do not operate the lighting fixture close to any combustible material.
- 1.5 Ensure that the fitting is cool and switched off before changing the bulb.
- 1.6 Do not use bulbs exceeding maximum wattage as marked on lighting fixture.
- 1.7 After installing the luminaries ,use waterproof glue (ex.GE-108)for caulking compound.
 - 1.7.1 Caulk completely around where back of backplate meets the wall surface to prevent water from seeping into outlet box.
 - 1.7.2 Caulk completely around gap between the parts of enclosure to prevent water from seeping into the enclosure.

(2) CAUTION BEFORE INSTALLATION

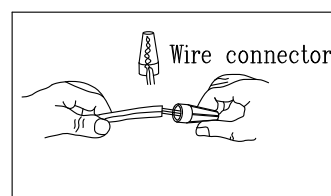
- 2.1 Prepare tools and materials required, e.g.: Ladder, Wrench, Wire cutter, Screw driver, Bulbs and Wiring supplies as required by electrical code.
- 2.2 Before starting the installation, disconnect the power by opening the circuit breaker or by removing the fuse at the fuse box. Turning the power off using the light switch is not sufficient to prevent electrical shock.
- 2.3 If you are replacing an existing fixture, disconnect and remove the old fixture.Expose the supply wiring.
- 2.4 No rough or sharp edges are in contact with any of the wire , to ensure the insulation on any of the wires has not been damaged during installation.
- 2.5 The bare or green insulated wire are for grounding, do not connect with current carrying wires.
- 2.6 Firstly connect white (or rough) fixture wire with white supply wire and then connect black (or smooth) fixture wire with black supply wire. after fixture wires are connected with supplier wires, the bare parts of wires need to be completely covered by connector, to prevent from causing short circuit and electric leakage.

The method of wiring and operation refer to circuit diagram 1 and circuit diagram 2:

Circuit diagram 1



Circuit diagram 2



INSTALLING FIGURE

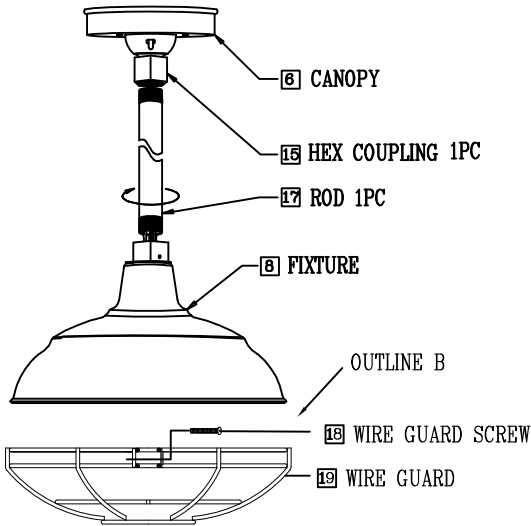


FIGURE 1

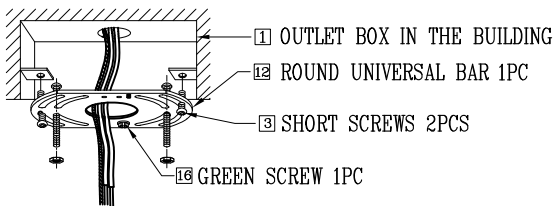
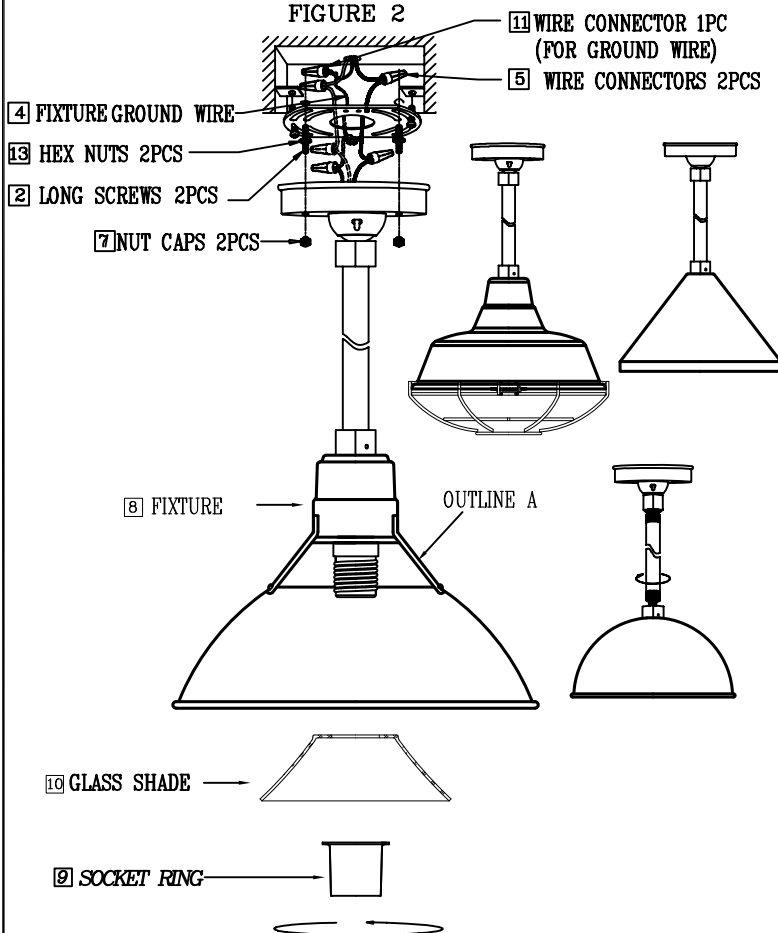


FIGURE 2



(3) INSTALLING INSTRUCTIONS

FEED FIXTURE WIRES AND GROUND WIRE THROUGH (17 ROD), SCREW ONE END OF (17 ROD) ONTO (8 FIXTURE) AND THE OTHER END INTO (15 HEX COUPLING) TIGHTLY. (15 HEX COUPLING) AT FIXTURE END HAS A DRIPPING HOLE WHICH CAN ALLOW THE INFILTRATED WATER COME OUT. WHEN THREADING (17 ROD) ONTO (8 FIXTURE), IT IS OPTIONAL TO USE THE PIPE SEALANT.

(4) INSTALLING WAY:

- 1 OUTLET BOX IN THE BUILDING: PULL OUT THE SUPPLY WIRES AND GROUND WIRE FROM THE OUTLET BOX AND PASS THROUGH THE WIRE OUTLET HOLE ON (12 ROUND UNIVERSAL BAR).
- 2 LONG SCREWS 2PCS: PLACE THE SUPPLIED (2 LONG SCREWS) THROUGH THE HOLES IN (12 ROUND UNIVERSAL BAR), ADJUST TO DESIRED LENGTH AND SECURE TIGHTLY WITH (13 HEX NUTS). THIS WILL PREVENT (2 LONG SCREWS) FROM ROTATING WHEN (7 NUT CAPS) ARE ATTACHED.
- 3 SHORT SCREWS 2PCS : SECURE (12 ROUND UNIVERSAL BAR) TO (1 OUTLET BOX) WITH THE SUPPLIED (3 SHORT SCREWS)
- 4 FIXTURE GROUND WIRE: WIND (4 FIXTURE GROUND WIRE) AROUND (16 GREEN SCREW) LOCATED ON (12 ROUND UNIVERSAL BAR) AND CONNECT (4 FIXTURE GROUND WIRE) WITH GROUND WIRE FROM OUTLET BOX, SECURE WITH (11 WIRE CONNECTOR) (PROVIDED).
- 5 WIRE CONNECTORS 2PCS : CONNECT FIXTURE WIRES AND WIRES FROM OUTLET BOX WITH (5 WIRE CONNECTORS). CAREFULLY TUCK ALL WIRE CONNECTORS INTO OUTLET BOX AND ENSURE THAT NO WIRE CONNECTORS ARE LOOSE AND NO BARE PARTS OF WIRES ARE EXPOSED.
- 6 CANOPY
- 7 NUT CAPS 2PCS : MAKE (2 LONG SCREWS) PASS THROUGH THE HOLES OF (6 CANOPY), AND SECURE (6 CANOPY) AGAINST CEILING WITH (7 NUT CAPS)
- 8 FIXTURE
- 9 TURN ON ELECTRICITY AFTER ASSEMBLING THE BULBS (NOT INCLUDED) TO TEST IF THE ELECTRICITY CAN WORK NORMALLY. (DO NOT EXCEED MAXIMUM WATTAGE)
- 10 FIXTURE SHOWED AS OUTLINE A:
GLASS SHADE: FIX (10 GLASS SHADE) INTO (8 FIXTURE) WITH (9 SOCKET RING). MAKE SURE (10 GLASS SHADE) BE FIXED FIRMLY TO AVOID ANY RISK OF FALLING OFF. WHEN TAKING (10 GLASS SHADE) OFF, LOOSEN THE (9 SOCKET RING). PLEASE BE CAUTIOUS WHEN INSTALLING OR TAKING (10 GLASS SHADE) OFF TO PREVENT GLASS SHADE BREAKAGE.
- 11 FIXTURE SHOWED AS OUTLINE B: OPTIONAL
WIRE GUARD: UNSCREW THE (18 WIRE GUARD SCREW) TO MAKE (19 WIRE GUARD) LARGE ENOUGH TO ATTACH THE EDGE OF (8 FIXTURE) THEN FIX (19 WIRE GUARD) WITH (18 WIRE GUARD SCREW) TO PREVENT IT FALLING OFF.

NOTE: THE APPEARANCE OF FIXTURE AND QUANTITY OF SOCKET(S) IS SUBJECT TO THE ACTUAL FIXTURE YOU RECEIVED, WHICH IS DIFFERENT FROM THE FIGURE IN THIS INSTRUCTION SHEET, BUT IN SAME INSTALLING WAY AS ABOVE.

NOTE: A CANOPY(RSCK, RSCKSS)+STEM(RS1,RS2,RS3,RC) +A SHADE (RALWHS14,RALWHS17,RALWHS20,RCGS13, RWCS13,RWCS17,RCS13,RCS17,RCLWS14,RCLWS17,RWDBS178) FOR A CELING MOUNT.
RALWHS14,RCLWS14+WIRE GUARD(RWG14)
RALWHS17,RCLWS17+WIRE GUARD (RWG17)
RALWHS20+WIRE GUARD (RWG20)

READ AND SAVE THIS INSTRUCTION SHEET

ATTENTION

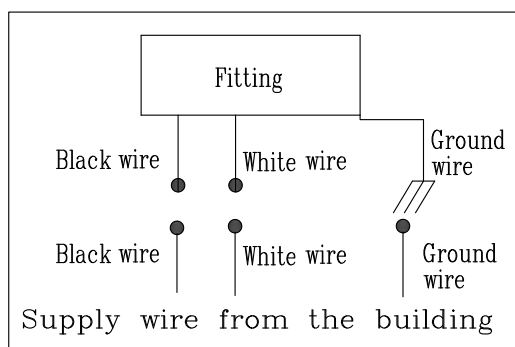
- (1) 1.1 To ensure the success of the installation, be sure to read these instructions and review the diagrams thoroughly before beginning.
- 1.2 All electrical connections must be in accordance with local codes, ordinances, or the National Electrical Code. If you are unfamiliar with the methods of installing electrical wiring, secure the services of a qualified licensed electrician.
- 1.3 These fixtures are intended to be building mounted and must be supported by the building structure.
- 1.4 Do not operate the lighting fixture close to any combustible material.
- 1.5 Ensure that the fitting is cool and switched off before changing the bulb.
- 1.6 Do not use bulbs exceeding maximum wattage as marked on lighting fixture.
- 1.7 After installing the luminaries ,use waterproof glue (ex.GE-108)for caulking compound.
 - 1.7.1 Caulk completely around where back of backplate meets the wall surface to prevent water from seeping into outlet box.
 - 1.7.2 Caulk completely around gap between the parts of enclosure to prevent water from seeping into the enclosure.

(2) CAUTION BEFORE INSTALLATION

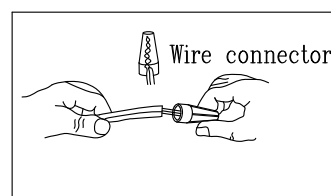
- 2.1 Prepare tools and materials required, e.g.: Ladder, Wrench, Wire cutter, Screw driver, Bulbs and Wiring supplies as required by electrical code.
- 2.2 Before starting the installation, disconnect the power by opening the circuit breaker or by removing the fuse at the fuse box. Turning the power off using the light switch is not sufficient to prevent electrical shock.
- 2.3 If you are replacing an existing fixture, disconnect and remove the old fixture.Expose the supply wiring.
- 2.4 No rough or sharp edges are in contact with any of the wire , to ensure the insulation on any of the wires has not been damaged during installation.
- 2.5 The bare or green insulated wire are for grounding, do not connect with current carrying wires.
- 2.6 Firstly connect white (or rough) fixture wire with white supply wire and then connect black (or smooth) fixture wire with black supply wire. after fixture wires are connected with supplier wires, the bare parts of wires need to be completely covered by connector, to prevent from causing short circuit and electric leakage.

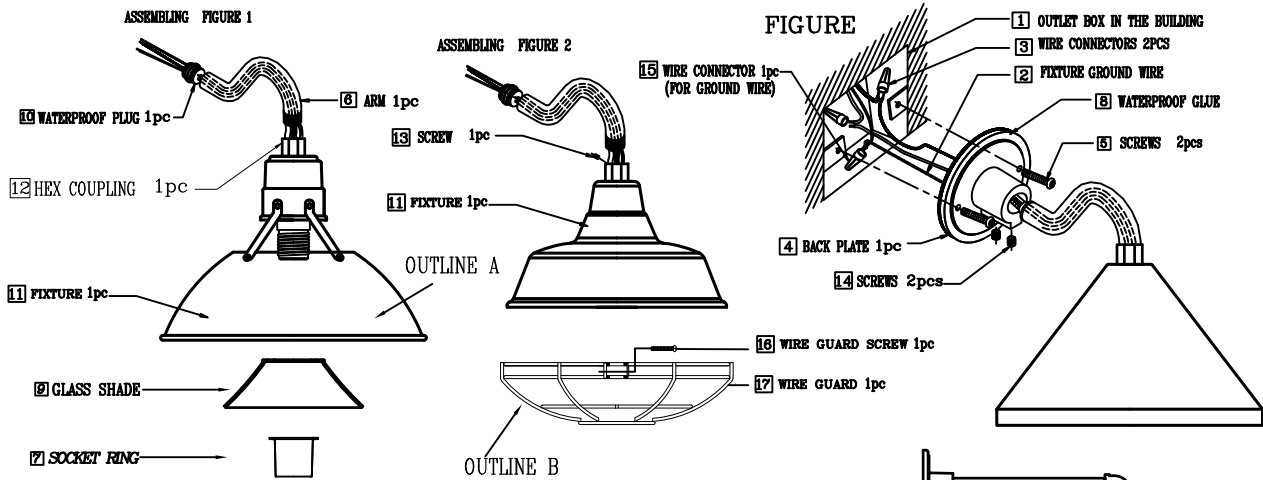
The method of wiring and operation refer to circuit diagram 1 and circuit diagram 2:

Circuit diagram 1



Circuit diagram 2





(3) ASSEMBLING INSTRUCTION

1. FEED FIXTURE WIRES AND GROUND WIRE THROUGH (6 ARM), THREAD (6 ARM) ONTO (11 FIXTURE) TIGHTLY. (WHEN ASSEMBLE THE FIXTURE SHOWN IN ASSEMBLING FIGURE 2, ADJUST THE OPENING DIRECTION OF (11 FIXTURE), SECURE (6 ARM) BY (13 SCREW) TO PREVENT IT LOOSING.) (12 HEX COUPLING) AT FIXTURE END HAS A DRIPPING HOLE WHICH CAN ALLOW THE INFILTRATED WATER COME OUT.
WHEN THREADING (6 ARM) ONTO (11 FIXTURE), IT IS OPTIONAL TO USE THE PIPE SEALANT.

2. AFTER FIXTURE WIRES AND GROUND WIRE COMING THROUGH (10 WATERPROOF PLUG), FEED THE BIGGER END OF (10 WATERPROOF PLUG) INTO (6 ARM).

NOTE: THE APPEARANCE OF FIXTURE AND QUANTITY OF SOCKET(S) IS SUBJECT TO THE ACTUAL FIXTURE YOU RECEIVED, WHICH IS DIFFERENT FROM THE FIGURE IN THIS INSTRUCTION SHEET, BUT IN SAME INSTALLING WAY AS BELOW.

(4) INSTALLING WAY:

- 1 OUTLET BOX IN THE BUILDING
- 2 FIXTURE GROUND WIRE: TWIST (2 FIXTURE GROUND WIRE) AND GROUND WIRE FROM OUTLET BOX, FIX THEM WITH (15 WIRE CONNECTOR) (PROVIDED).
- 3 WIRE CONNECTORS 2pcs : CONNECT FIXTURE WIRES AND WIRES FROM OUTLET BOX WITH (3 WIRE CONNECTORS). CAREFULLY TUCK ALL WIRE CONNECTORS INTO OUTLET BOX AND ENSURE THAT NO WIRE CONNECTORS ARE LOOSE AND NO BARE PARTS OF WIRES ARE EXPOSED.
- 4 BACK PLATE
- 5 SCREWS 2pcs: FIX (4 BACK PLATE) AGAINST (1 OUTLET BOX) WITH (5 SCREWS), BRUSH (8 WATERPROOF GLUE) AT THE AREAS WHERE SCREW HEADS TOUCH THE BACK PLATE TO PREVENT WATER ENTERING INTO THE BACK PLATE.
- 6 ARM : PUT (6 ARM) INTO THE CENTER HOLE ON (4 BACK PLATE) (MAKE SURE THE SMALLER END OF (10 WATERPROOF PLUG) TOTALLY INTO INTERNAL THROUGH HOLE INSIDE THE CENTER HOLE ON (4 BACK PLATE)), FORCE THE ARM INTO THE BACK PLATE AND SECURE (6 ARM) AGAINST (4 BACK PLATE) WITH (14 SCREWS), MAKE SURE THE BULB INSIDE THE SHADE IS FACING THE GROUND STRAIGHTLY.
- 7 TURN ON ELECTRICITY AFTER ASSEMBLING THE BULBS (NOT INCLUDED), TO TEST IF THE ELECTRICITY CAN WORK NORMALLY. (DO NOT EXCEED MAXIMUM WATTAGE)
- 8 WATERPROOF GLUE: AFTER SECURING (4 BACK PLATE), BRUSH (8 WATERPROOF GLUE) AT THE EDGE OF (4 BACK PLATE) WHERE TOUCH THE WALL, SO AS TO PROOF WATER AGAINST OUTLET BOX.
- 9.1 FIXTURE SHOWED AS OUTLINE A:
GLASS SHADE: FIX (9 GLASS SHADE) INTO (11 FIXTURE) WITH (7 SOCKET RING). MAKE SURE (9 GLASS SHADE) BE FIXED FIRMLY TO AVOID ANY RISK OF FALLING OFF. WHEN TAKING (9 GLASS SHADE) OFF, LOOSEN THE (7 SOCKET RING). PLEASE BE CAUTIOUS WHEN INSTALLING OR TAKING (9 GLASS SHADE) OFF TO PREVENT GLASS SHADE BREAKAGE.
- 9.2 FIXTURE SHOWED AS OUTLINE B:OPTIONAL
WIRE GUARD: UNSCREW THE (16 WIRE GUARD SCREW) TO MAKE (17 WIRE GUARD) LARGE ENOUGH TO ATTACH THE EDGE OF (11 FIXTURE). THEN FIX (17 WIRE GUARD) WITH (16 WIRE GUARD SCREW) TO PREVENT IT FALLING OFF.

NOTE:

A GOOSE NECK (RGN10, RGN12, GRN13, RGN15, GRN22, GRN23, RGN24, GRN30, GRN41) + A SHADE (RALWHS14, RALWHS17, RALWHS20, RGCS13, RWCS13, RWCS17, RCS13, RCS17, RCLWS14, RCLWS17) FOR A WALL MOUNT .

A GOOSE NECK (RGN12, GRN13, GRN22, GRN23, RGN24, GRN30, GRN41) + A SHADE (RWDBS18) FOR A WALL MOUNT.

RALWHS14,RCLWS14+WIRE GUARD(RWG14)

RALWHS17,RCLWS17+WIRE GUARD (RWG17)

RALWHS20+WIRE GUARD (RWG20)

READ AND SAVE THIS INSTRUCTION SHEET

ATTENTION

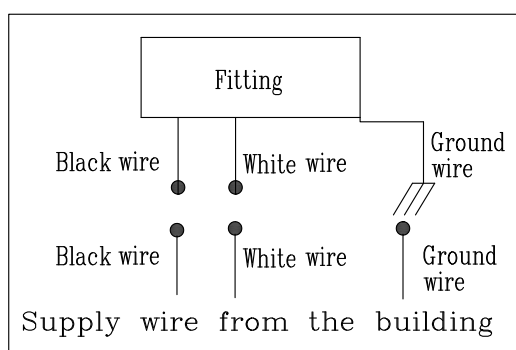
- (1) 1.1 To ensure the success of the installation, be sure to read these instructions and review the diagrams thoroughly before beginning.
- 1.2 All electrical connections must be in accordance with local codes, ordinances, or the National Electrical Code. If you are unfamiliar with the methods of installing electrical wiring, secure the services of a qualified licensed electrician.
- 1.3 The building structure must directly support the pier mount adapter or post base.
- 1.4 This fixture is intended to be mounted to a pier mount adapter or post pole of Dia.3".
- 1.5 Do not operate the lighting fixture close to any combustible material.
- 1.6 Ensure that the fitting is cool and switched off before changing the bulb.
- 1.7 Do not use bulbs exceeding maximum wattage as marked on lighting fixture.
- 1.8 After installing the luminaries ,use waterproof glue (ex.GE-108)for caulking compound.
 - 1.8.1 Caulk completely around where back of backplate meets the wall surface to prevent water from seeping into outlet box.
 - 1.8.2 Caulk completely around gap between the parts of enclosure to prevent water from seeping into the enclosure.
- 1.9 Do not install on post or pole that results in a vertical rise of 25 feet or higher.

(2) CAUTION BEFORE INSTALLATION

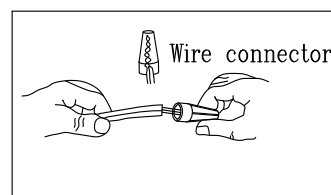
- 2.1 Prepare tools and materials required, e.g.: Ladder, Wrench, Wire cutter, Screw driver, Bulbs and Wiring supplies as required by electrical code.
- 2.2 To avoid electrical shock. Do not attempt to install the fixture in wet or rainy conditions. Always turn off electrical power at the circuit breaker or by disconnecting the fuse.
- 2.3 If you are replacing an existing fixture, disconnect and remove the old fixture.Expose the supply wiring.
- 2.4 No rough or sharp edges are in contact with any of the wire , to ensure the insulation on any of the wires has not been damaged during installation.
- 2.5 The bare or green insulated wire are for grounding, do not connect with current carrying wires.
- 2.6 Firstly connect white (or rough) fixture wire with white supply wire and then connect black (or smooth) fixture wire with black supply wire. after fixture wires are connected with supplier wires, the bare parts of wires need to be completely covered by connector, to prevent from causing short circuit and electric leakage.

The method of wiring and operation refer to circuit diagram 1 and circuit diagram 2:

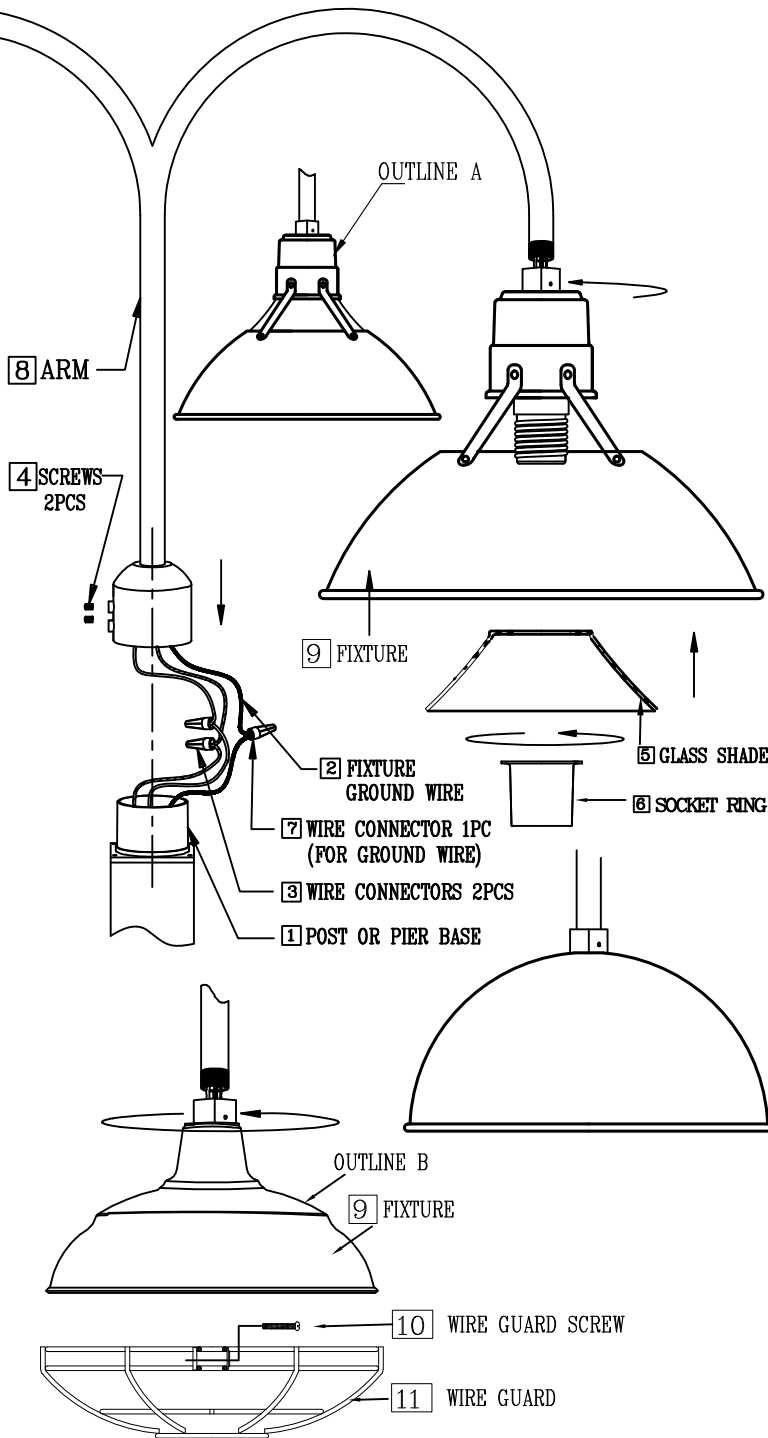
Circuit diagram 1



Circuit diagram 2



FIGURE



(3) INSTALLING INSTRUCTIONS

FEED FIXTURE WIRES AND GROUND WIRE THROUGH (8 ARM), THREAD (8 ARM) ONTO (9 FIXTURE) TIGHTLY.

HEX COUPLING HAS A DRIPPING HOLE WHICH CAN ALLOW THE INFILTRATED WATER COME OUT. WHEN THREADING (8 ARM) ONTO (9 FIXTURE), IT IS OPTIONAL TO USE THE PIPE SEALANT.

(4) INSTALLING WAY:

- 1 EXPOSE THE SUPPLY WIRES FROM (1 POST OR PIER BASE).
- 2 FIXTURE GROUND WIRE:
TWIST (2 FIXTURE GROUND WIRE) AND GROUND WIRE FROM POST OR PIER BASE, FIX THEM WITH (7 WIRE CONNECTOR) (PROVIDED).
- 3 WIRE CONNECTORS 2pcs : CONNECT FIXTURE WIRES AND WIRES FROM (1 POST OR PIER BASE) WITH (3 WIRE CONNECTORS). CAREFULLY TUCK ALL (3 WIRE CONNECTORS) INTO (1 POST OR PIER BASE) AND ENSURE THAT NO WIRE CONNECTORS ARE LOOSE AND NO BARE PARTS OF WIRES ARE EXPOSED. NO LOOSE STRANDS OR LOOSE CONNECTIONS SHOULD BE PRESENT.
- 4 SCREWS 2PCS: SLIDE (8 ARM) OVER (1 POST OR PIER BASE), SECURE (4 SCREWS) ONTO THE THREADING HOLE OF (8 ARM) WITH TOOL, SO AS TO FASTEN (8 ARM) ONTO (1 POST OR PIER BASE).
- 5 TURN ON ELECTRICITY AFTER ASSEMBLING THE BULBS (NOT INCLUDED) TO TEST IF THE ELECTRICITY CAN WORK NORMALLY. (DO NOT EXCEED MAXIMUM WATTAGE)
- 6.1 FIXTURE SHOWN AS OUTLINE A:
GLASS SHADE: FIX (5 GLASS SHADE) INTO (9 FIXTURE) WITH (6 SOCKET RING). MAKE SURE (5 GLASS SHADE) BE FIXED FIRMLY TO AVOID ANY RISK OF FALLING OFF. WHEN TAKING (5 GLASS SHADE) OFF, LOOSEN THE (6 SOCKET RING). PLEASE BE CAUTIOUS WHEN INSTALLING OR TAKING (5 GLASS SHADE) OFF TO PREVENT GLASS SHADE BREAKAGE.
- 6.2 FIXTURE SHOWN AS OUTLINE B. OPTIONAL
WIRE GUARD: UNSCREW THE (10 WIRE GUARD SCREW) TO MAKE (11 WIRE GUARD) LARGE ENOUGH TO ATTACH THE EDGE OF (9 FIXTURE). THEN FIX (11 WIRE GUARD) WITH (10 WIRE GUARD SCREW) TO PREVENT IT FALLING OFF.

NOTE: THE APPEARANCE OF FIXTURE AND QUANTITY OF SOCKET(S) IS SUBJECT TO THE ACTUAL FIXTURE YOU RECEIVED, WHICH IS DIFFERENT FROM THE FIGURE IN THIS INSTRUCTION SHEET, BUT IN SAME INSTALLING WAY AS ABOVE.

NOTE: RPAS, RPAD+A SHADE(RALWHS14, RALWHS17, RALWHS20, RGCS13, RWCS13, RWCS17, RCS13, RCS17, RCLWS14, RCLWS17, RWDBS18) FOR A POST LIGHT

RALWHS14, RCLWS14+ WIRE GUARD(RWG14)
RALWHS17, RCLWS17+ WIRE GUARD (RWG17)
RALWHS20+ WIRE GUARD (RWG20)