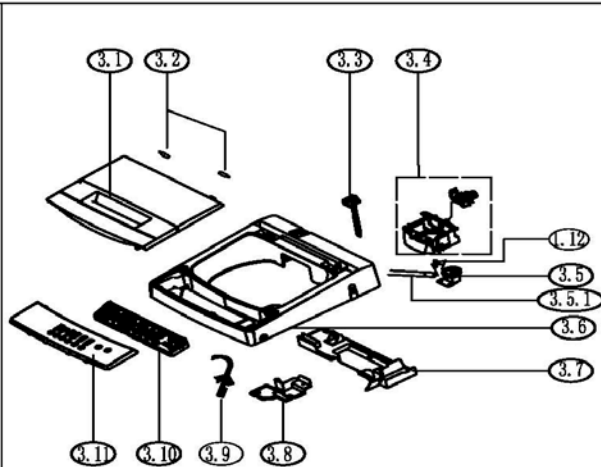
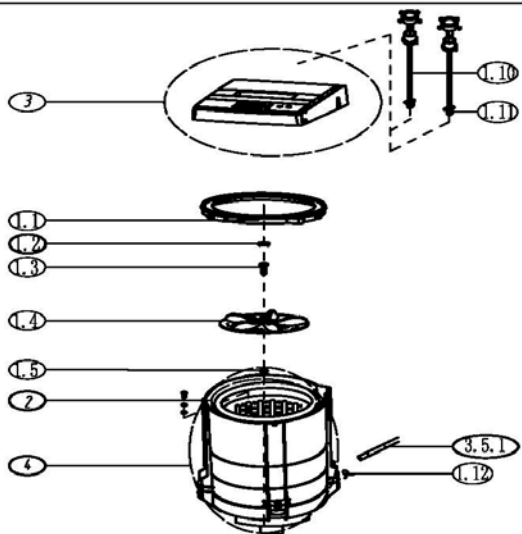
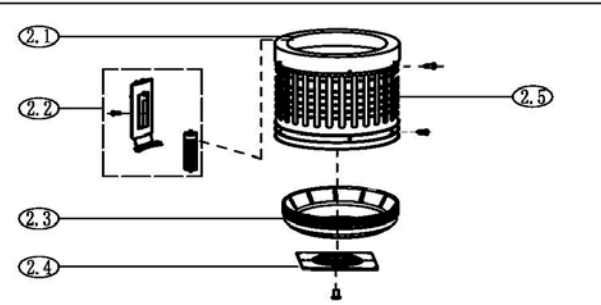
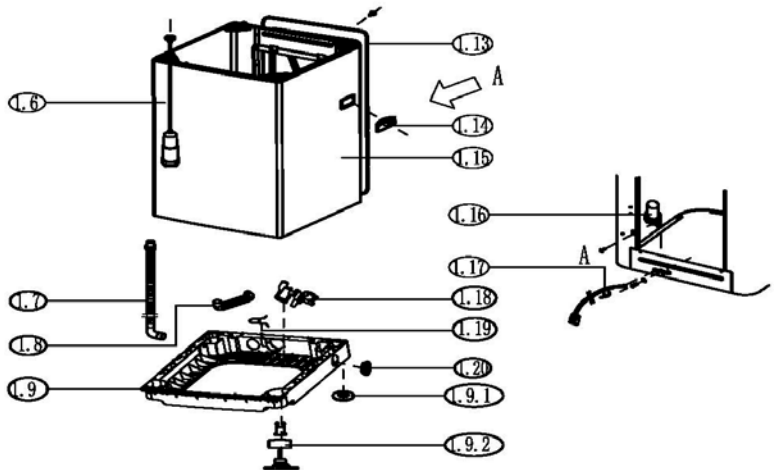


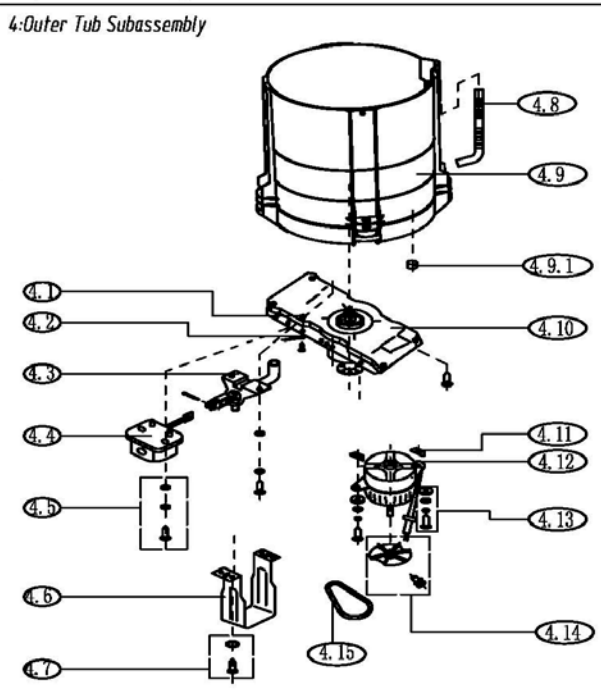
Exploded View



3: Top Cover Subassembly



2: Spin Tub Subassembly



4: Outer Tub Subassembly

No.	Part Name	Quantity	Part Code
1.1	Outer Tub Cover	1.0	12138000039023
1.2	Impeller Cover	1.0	12138000039030
1.3	Screw	1.0	11301017000001
1.4	Impeller Assembly	1.0	12138000039034
1.5	Washer	1.0	11300414000007
1.6	Suspend System	1.0	12938000001961
1.7	Up Drain Hose Assembly	1.0	12138000009813
1.8	Middle Hose	1.0	12638000000768
1.9	Cabinet Base Assembly	1.0	12138000039063
1.9.1	Stationary Foot	3.0	12638000000053
1.9.2	Adjustable Foot Assembly	1.0	12138000039064
1.10	Water Inlet Hose Assembly	1.0	12038000000004
1.11	Water Inlet Hose Assembly	1.0	12038000000036
1.12	Clip Spring	1.0	12900101000807
1.13	Rear Cover	1.0	12138000039032
1.14	Handle	2.0	12138000039043
1.15	Cabinet Assembly	1.0	12238000000745
1.16	Capacitor Assembly	1.0	17438000005002
1.17	Power Cord	1.0	17438000001850
1.18	Permanent magnet synchronous pump	1.0	11001011000124
1.19	Clip Spring	2.0	12900101000334
1.20	Hole Cover	2.0	12138000027683
2	Stainless Tub Assembly	1.0	12238000005863
2.1	Balance Ring Assembly	1.0	12138000039046
2.2	Filtering Cover Assembly	1.0	12138000039044
2.3	Tub Bottom Base	1.0	12138000039045
2.4	Coupling Plate	1.0	12238000005843
2.5	Stainless Steel Tub	1.0	12238000000186
3	Top Cover And Door Cover Assembly	1.0	12138000037007
3.1	Cover Assembly	1.0	P0000000847268
3.2	Damper	1.0	12938000001523
3.3	Impact Switch	1.0	17438000001356
3.4	Water Inlet Valve Cover Assembly	1.0	12238000003982
3.5	Water Level Sensor Assembly	1.0	17438000001372
3.5.1	Air Pipe	1.0	P0000000741451
3.6	Top Cover	1.0	P0000000847247
3.7	Breakwater Plate	1.0	12138000032543
3.8	Breakwater Plate	1.0	12138000039036
3.9	Internal Wire Assembly	1.0	17438000007181
3.10	PCB	1.0	17138000022368
3.11	Control Panel Assembly	1.0	12138000039047
4.1	Nut	3.0	11301512000037
4.2	Earth Wire Subassembly	1.0	17401108000478
4.3	Drain Valve Subassembly	1.0	12138000039062
4.4	Retractor	1.0	17438000007081
4.5	Screw	4.0	11301225000012
4.6	Bracket	1.0	12238000000477
4.7	Screw	4.0	11301225000012
4.8	Overflow Hose	1.0	12138000002887
4.9	Outer Tub Subordinate Assembly	1.0	12138000010048
4.9.1	Outer Tub Hole Cover	1.0	12138000001551
4.10	Clutch Body Subassembly	1.0	12938000000340
4.11	Lower Cushion	2.0	12138000002867
4.12	Single phase asynchronous motor	1.0	11002012019382
4.13	Screw	2.0	11301002000022
4.14	Motor Pulley Assembly	1.0	12338000000038
4.15	V-Belt	1.0	12638000000109