

CONTENTS

Safety - **2**
Tools needed - **3**
Parts - **3**
Accessories - **4**
Dimensions - **5**
Recess Mounting - **6**
Final Assembly - **7**
Use and Maintenance - **9**
Warranty - **10**

Scan the QR code
to see the entire
Craft series of
cabinets.



Use the camera app on your
mobile device to look at this and
other QR codes. This will allow
you to quickly access web pages
and other relevant documents.

GENERAL INFORMATION

This instruction manual contains information on how to recess mount the Craft Series cabinet. This series comes in different sizes and door styles. Refer to the specific model numbers for dimensions.

Read the specific instruction for how your cabinet(s) will be mounted. The cabinets can be surface mounted* or recess mounted.

Save these instructions for future use and reference. An improper installation voids the warranty. Installed cabinets cannot be returned.

If you experience any problems with your cabinet, contact your dealer or Robern directly.

Limited Warranty — One Year Term

* For surface mounting and other installation instructions, see page 4.

SAFETY

IMPORTANT SAFETY INSTRUCTIONS

DANGER: Read all instructions before using this cabinet.

CAUTION: Maximum shelf load 34lbs/15.4kg

When using an electrical furnishing, basic precautions should always be followed, including the following:

WARNING: To reduce the risk of burns, fire, electric shock, or injury to persons:

- Use this furnishing only for its intended use as described in these instructions.
- Do not use attachments not recommended by the manufacturer.
- Never drop or insert any object into any opening.
- Do not use outdoors.

WARNING: Risk of electric shock. Connect this furnishing to a properly grounded circuit only. See Grounding instructions.

GROUNDING INSTRUCTIONS

Electrical option cabinet must be connected to a grounded metal, permanent wiring system, or an equipment-grounding conductor must be run with the circuit conductors and connected to the equipment-grounding terminal or lead on the product.

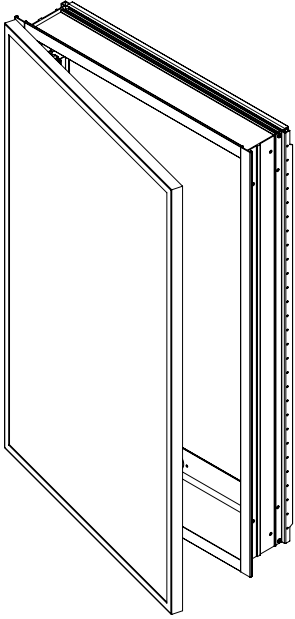
WARNING: Electrical option cabinet must be wired to a Class A 20 Amp GFCI (Ground Fault Circuit Interrupter) protected circuit when used in bathrooms and all other locations required by the National Electric Code.

SAVE THESE INSTRUCTIONS

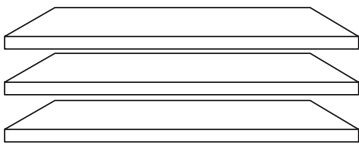
TOOLS NEEDED



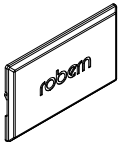
PARTS



(1) Craft Series Cabinet

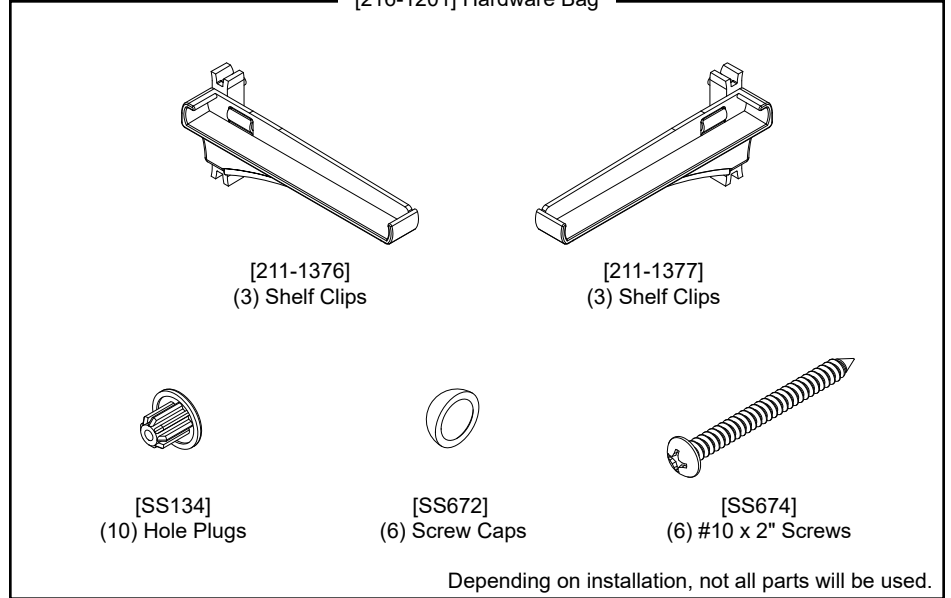


(3-4) Glass Shelves

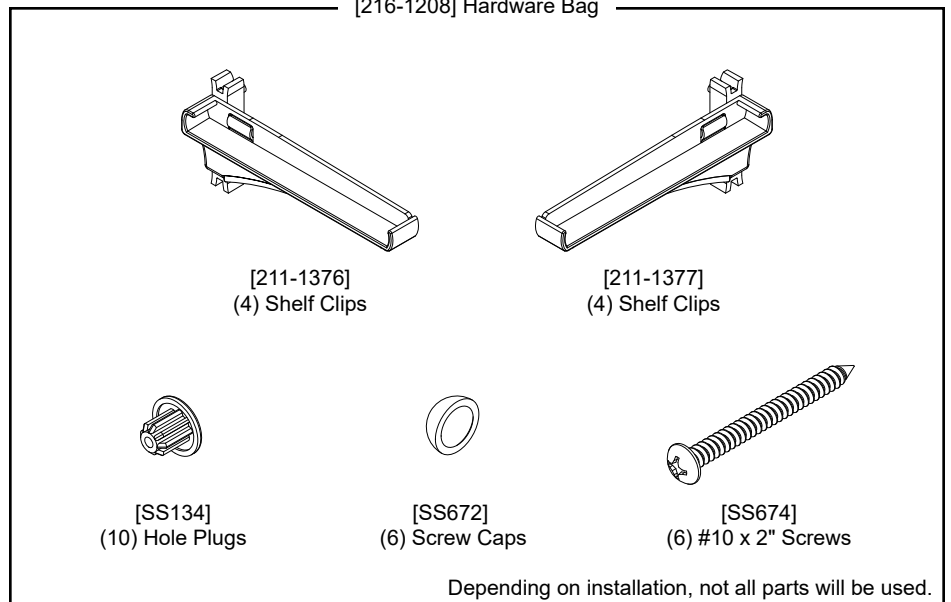


[211-1329]
(2) Robern Logo Coverplates

[216-1201] Hardware Bag



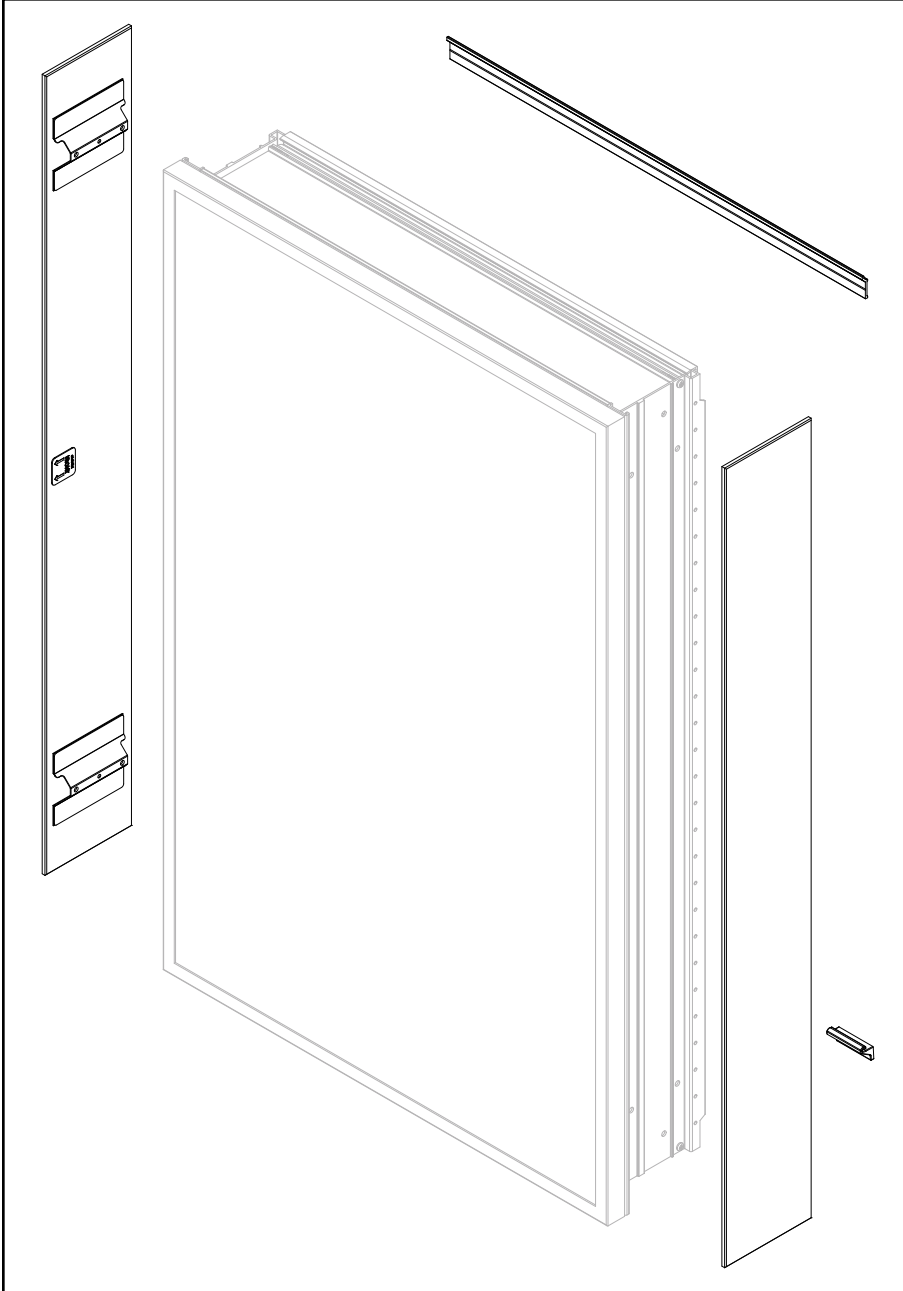
[216-1208] Hardware Bag



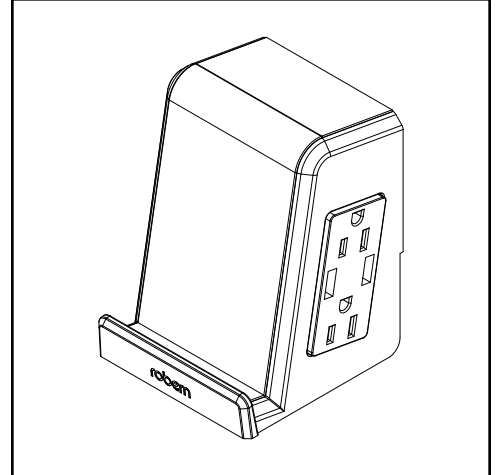
ACCESSORIES

Scan the available QR codes to learn more about these accessories at Robern.com

[P2SMKITXXD4P]
Surface Mount Kit
XX (Heights available): 30, 40



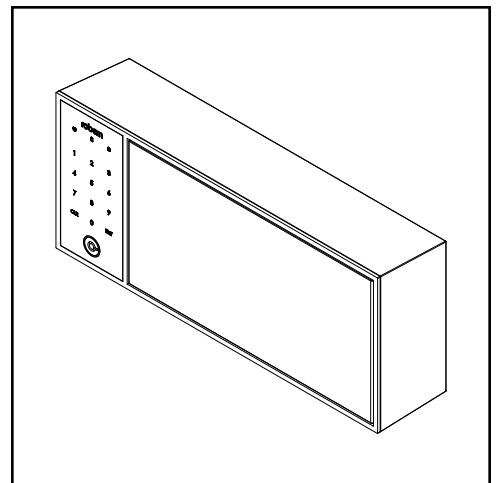
[P2ELECTRIC*]
Portray Electric Upgrade



For Electric Upgrade Instructions:



[DLB-XX]
IQ Digital Lock Box
XX (Widths available): 20, 24



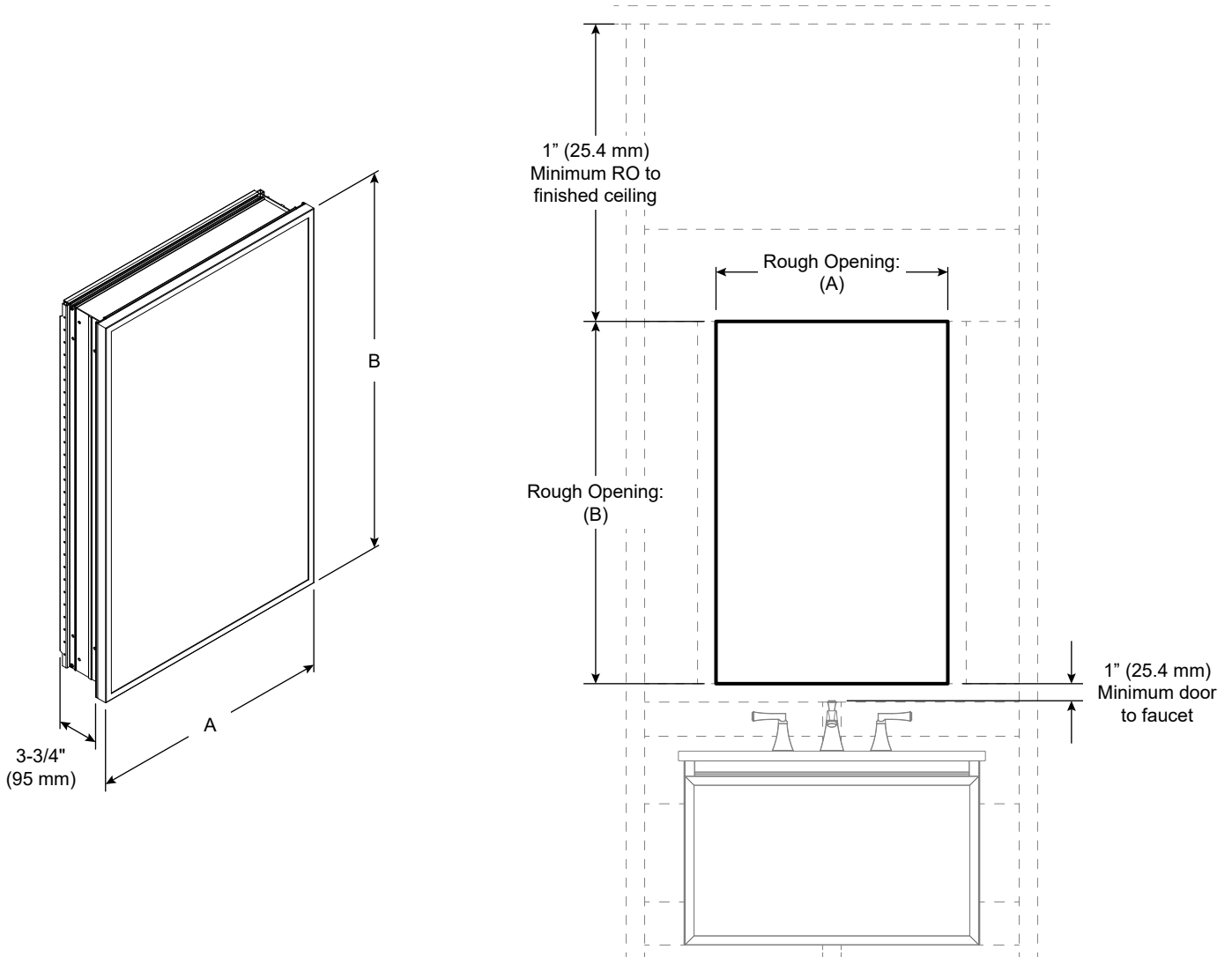
For Digital Lock Box Instructions:



*Craft series cabinet models ending in "TU" include the Portray Electric Upgrade.

DIMENSIONS

Determine overall cabinet dimensions. If recessing cabinet, see chart to determine rough-in dimensions.



Rough Opening (RO) for recessed installation in chart below.

Number in the column headings below reference the cabinet dimensions from the model number, width and height (WWHH).

	Industrial / Thin Frame		Round Corner	
	2030	2440	2034	2444
A	19-1/4" (489 mm)	23-1/4" (591 mm)	19-1/4" (489 mm)	23-1/4" (591 mm)
B	30" (762 mm)	39-3/8" (1000 mm)	34-1/4" (870 mm)	43-5/8" (1108 mm)
RO (A)	18-1/2" (470 mm)	22-1/2" (572 mm)	18-1/2" (470 mm)	22-1/2" (572 mm)
RO (B)	29-1/4" (743 mm)	38-5/8" (982 mm)	29-1/4" (743 mm)	38-5/8" (982 mm)

RECESS MOUNTING

These instructions are for recess mounting your cabinet. For a surface mount installation, refer to the instructions included with the surface mount kit (sold separately, see page 4). Before beginning installation, remove and set the door aside in a safe place.

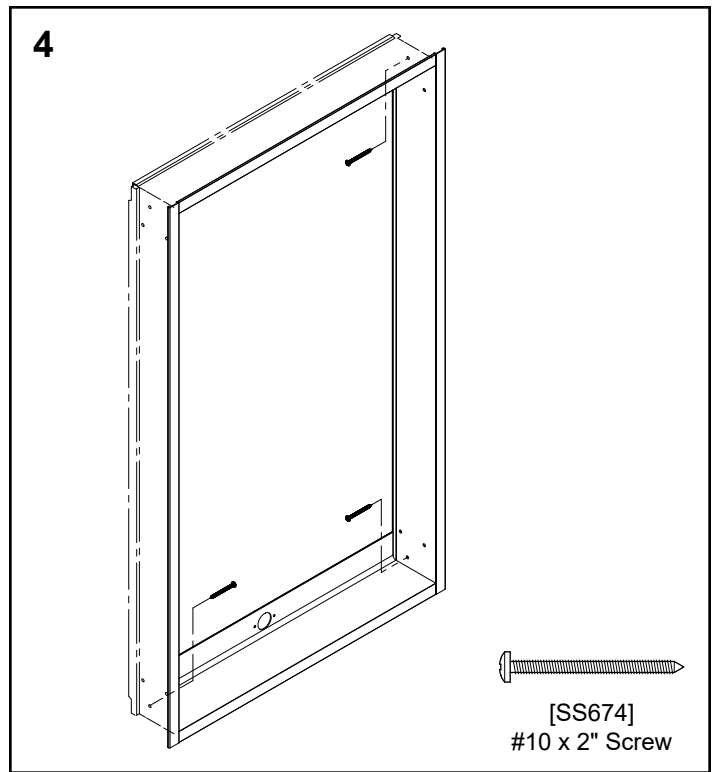
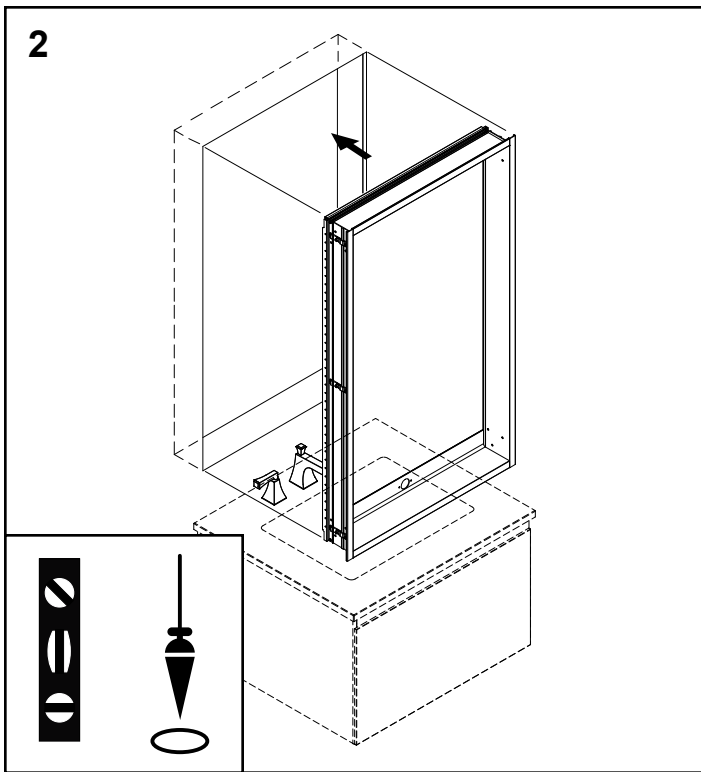
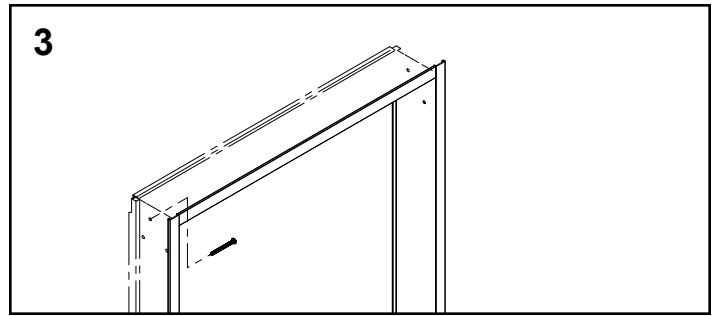
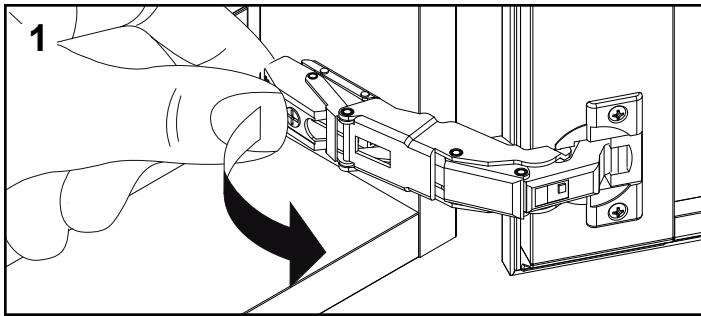
1. Remove door from cabinet by taking the hinges off of the mounting plates.
2. Place the cabinet box into the rough opening with the hinges on the desired side. Check for square, plumb, and level.

Electrical Option Cabinets: Provide separate electrical connections for electrical options. Pull electric wire through the cabinet hole. Be sure to provide enough wire to make proper and safe connections to Portray Electric Upgrade.

WARNING: An Electrical option cabinet must be wired to a Class A 20 Amp GFCI (Ground Fault Circuit Interrupter) protected circuit when used in bathrooms and all other locations required by the National Electric Code.

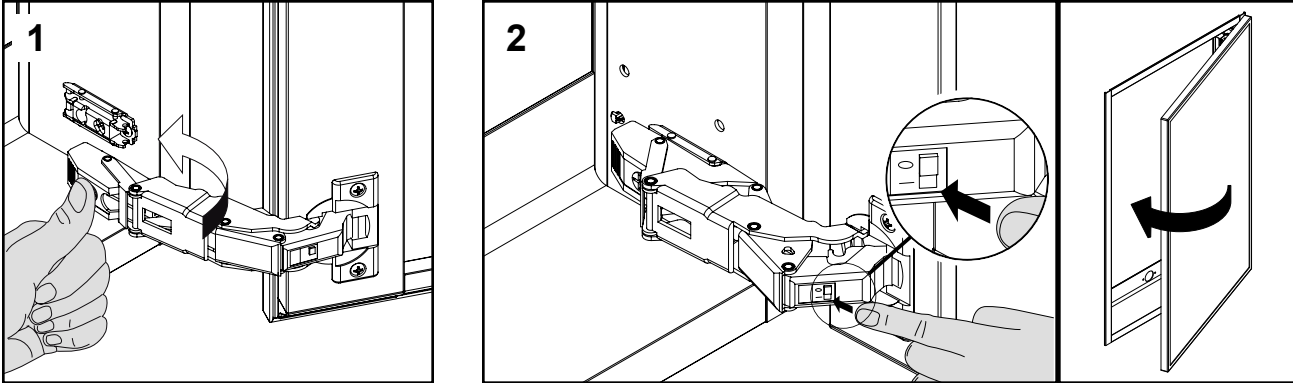
3. Install a #10 X 2" screw [SS674] through top mounting hole in cabinet side and screw into wall stud.
4. Once cabinet is installed square, plumb, and level, install #10 X 2" screws into wall studs through the three remaining mounting holes.

NOTE: Do not over-tighten screws or cabinet box may deform.



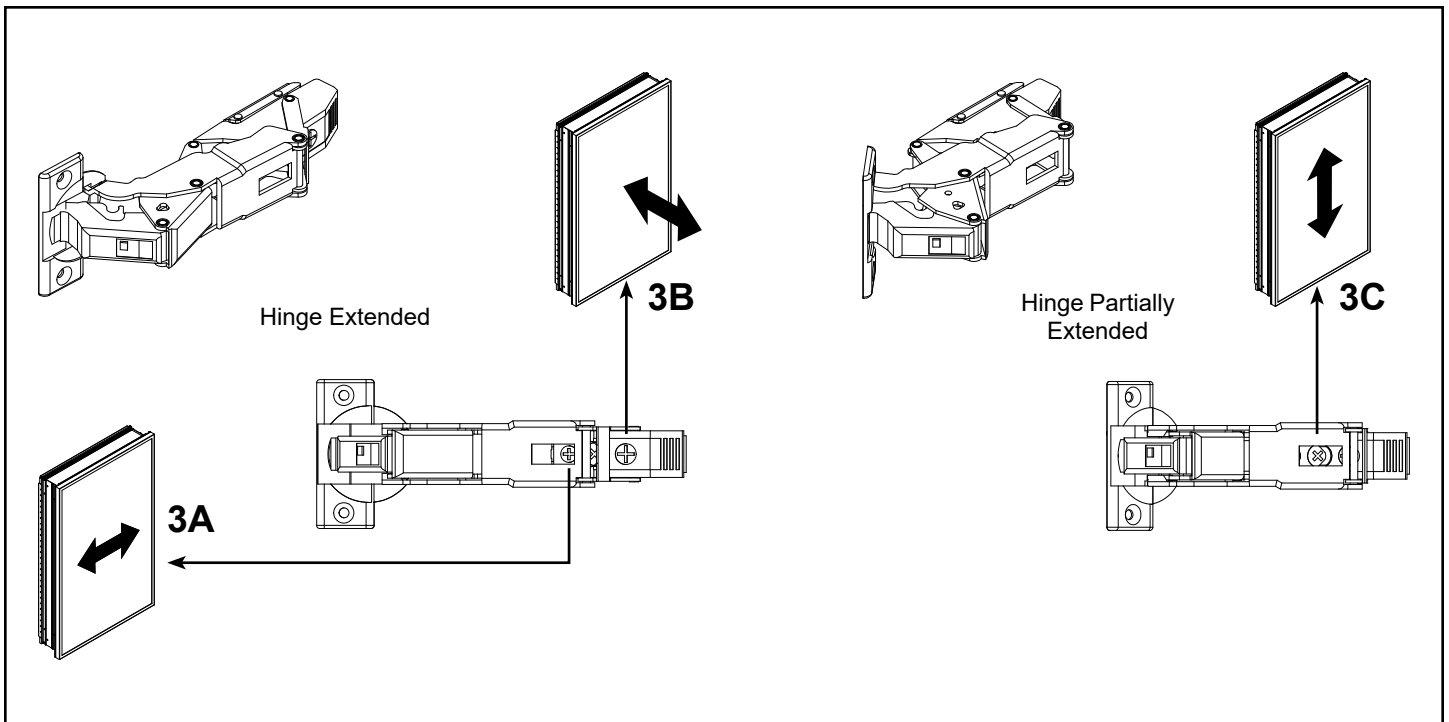
FINAL ASSEMBLY

1. Align the door and reattach hinges to mounting plates until audible click is heard. Ensure all hinges are fully seated before attempting to adjust door.
2. If desired, the slow close feature can be deactivated on one of the hinges. Swing the door closed once for the deactivation to be complete. To reactivate, move switch back to original position.



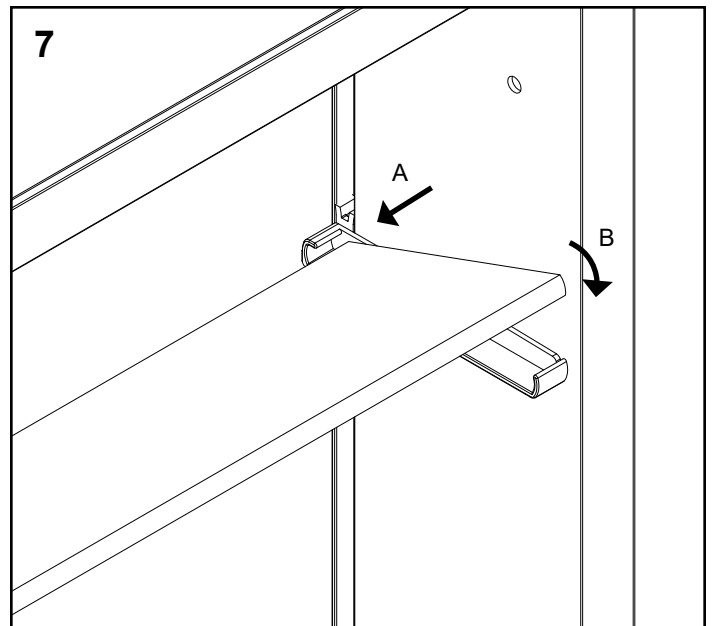
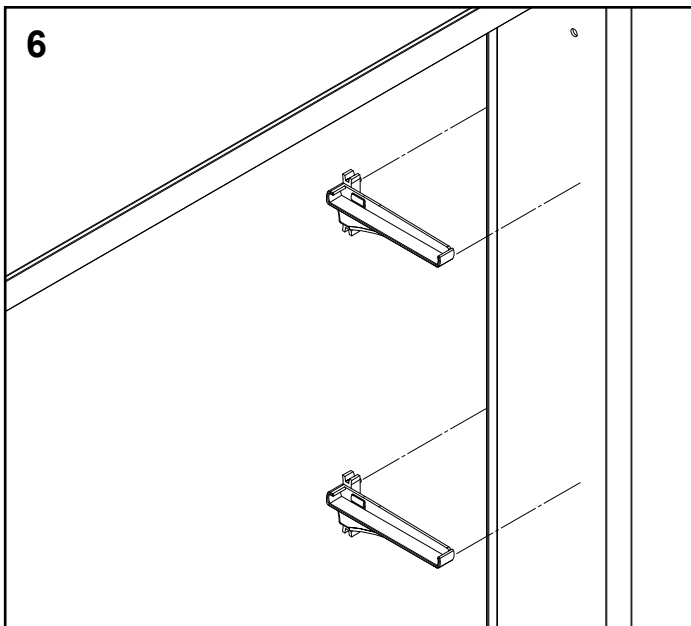
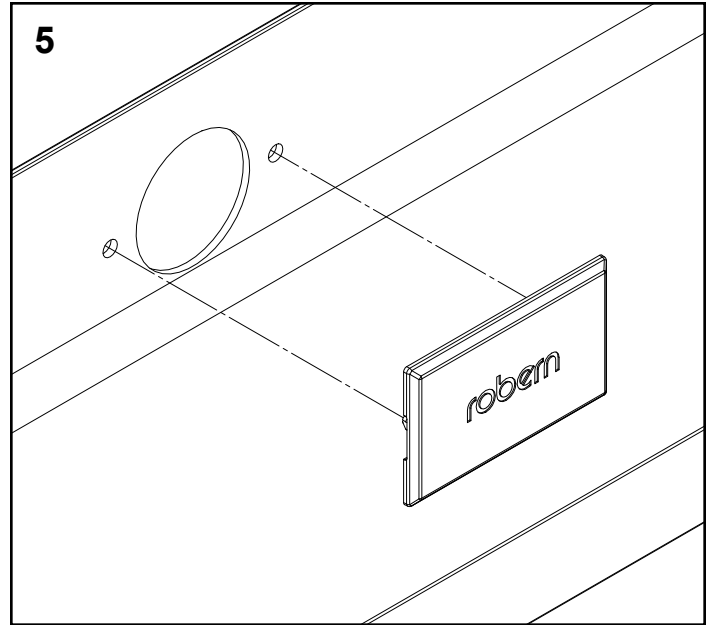
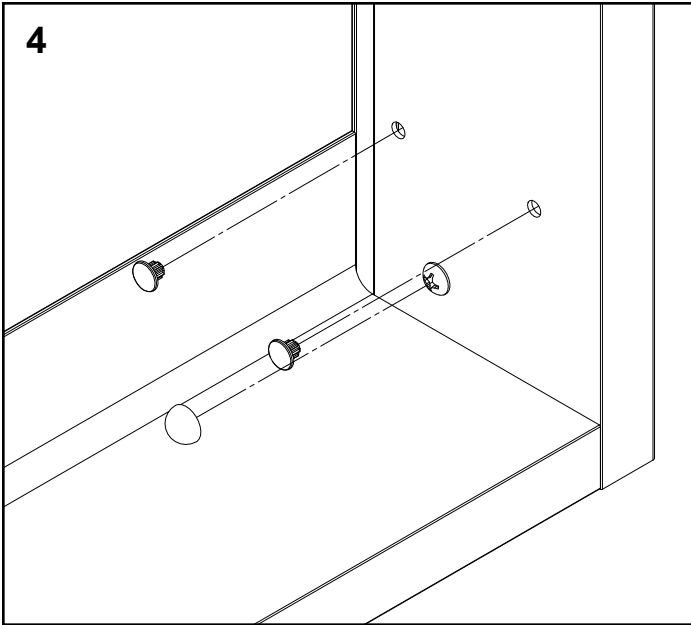
NOTE: The door hinges have a three-way adjustment feature. These adjustments can be made using a #2 Phillips-head screwdriver.

- 3A. Side adjustment – Rotate front screw to increase or decrease door overlay.
- 3B. Height adjustment – Rotate cam screw on mounting plate to adjust door.
- 3C. Depth adjustment – Rotate rear spiral tech cam screw to adjust door gap.



FINAL ASSEMBLY

4. Press the shelf hole plugs [SS134] into the unused holes inside the cabinet. Place the screw head caps [SS672] over any exposed screw heads.
5. Install a Robern logo coverplate [211-1329] into each unused electrical access hole.
6. Insert clear shelf clips [211-1376 and 211-1377] into the holes in the back channel on the sides of the cabinet.
7. Push the back of the shelf into both the left and right clips (A). Snap the shelf down into the clips (B).



USE AND MAINTENANCE

CAUTION: Maximum shelf load 34 LBS

The cabinet door and interior are constructed of mirrored glass and aluminum. Use only a damp cloth to clean. Ammonia or vinegar-based cleaners can damage mirrors.

A 50/50 solution of water and isopropyl alcohol is recommended for cleaning the mirrors. A mild detergent may be used on the surfaces.

When cleaning, spray the cloth, not the cabinet, mirror, or surround surfaces. Do not use abrasive cleansers on any part of the product.

NOTE: Do not store items in the cabinet area directly behind the hinge as damage may occur to cabinet or items.

