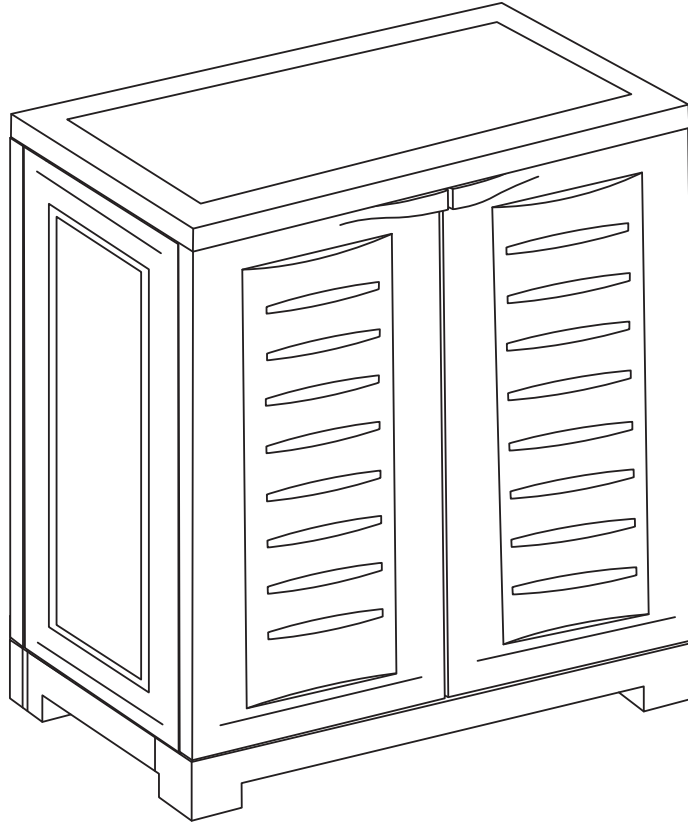


STORAGE CABINET WITH ADJUSTABLE SHELF



Review all assembly and care information before using this product. Save this manual for future reference.


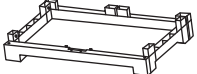

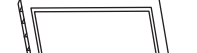
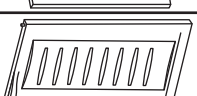
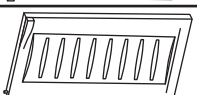
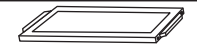
Assemble components on a soft, clean surface to avoid damaging the finish.

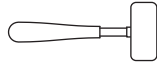


Weight Capacity per Shelf

CAUTION: Distribute weight evenly throughout this product to avoid tipping.

 Inspect packaging to ensure all parts are accounted for before disposing of packing materials.  Save the packing slip.

NO.	CODE	PARTS	QTY.
1	TP	 Top Panel	1
2	BT	 Bottom Panel	1
3	SP	 Side Panel	2
4	BP	 Back Panel	2
5	DR-R	 Right Door	1
6	DR-L	 Left Door	1
7	SL	 Shelf	1

RECOMMENDED TOOLS (not included)
 Rubber Mallet

WARNING: Manufacturer and seller expressly disclaim any and all liability from personal injury, property damage or loss, whether direct or indirect, or incidental, resulting from the incorrect attachment, improper use, inadequate maintenance, or neglect of this product.

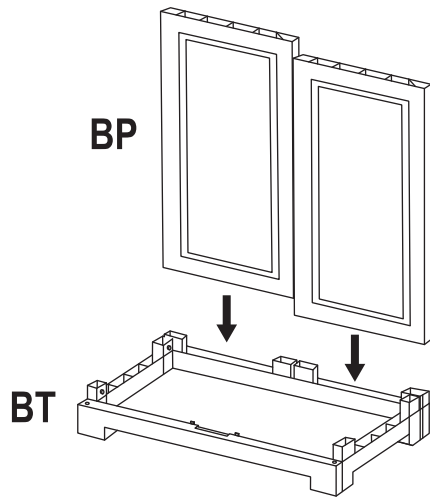
ASSEMBLY

STEP 1

BT: 1
BP: 2

IMPORTANT:

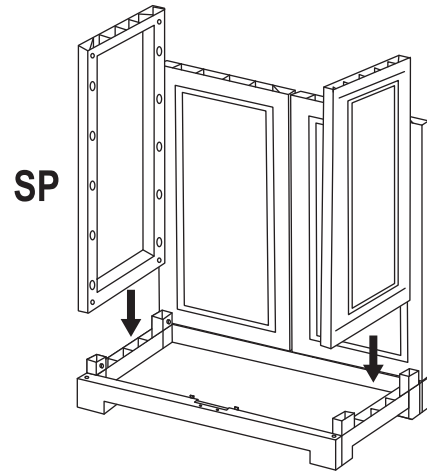
Carefully follow all drawings to ensure components are installed facing the correct direction.



Affix two Back Panels (BP) to Bottom Panel (BT), as shown.

STEP 2

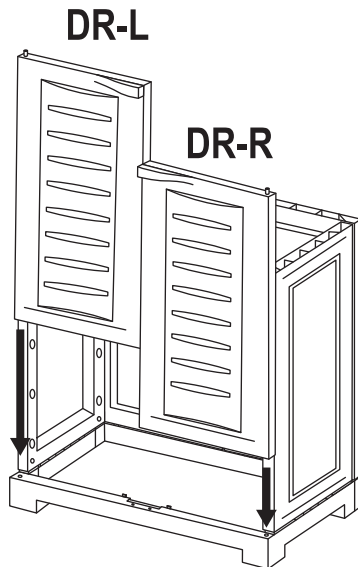
SP: 2



Affix two Side Panels (SP) to the bottom panel, as shown.

STEP 3

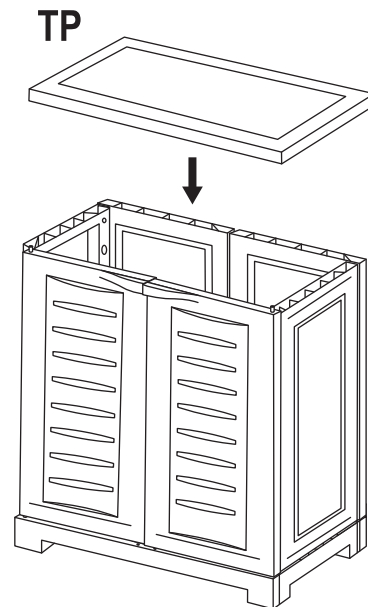
DR-L: 1
DR-R: 1



Ensuring the handles are at the top, align the pivot pins on the bottom of Left Door (DR-L) and Right Door (DR-R) with the bottom panel.

STEP 4

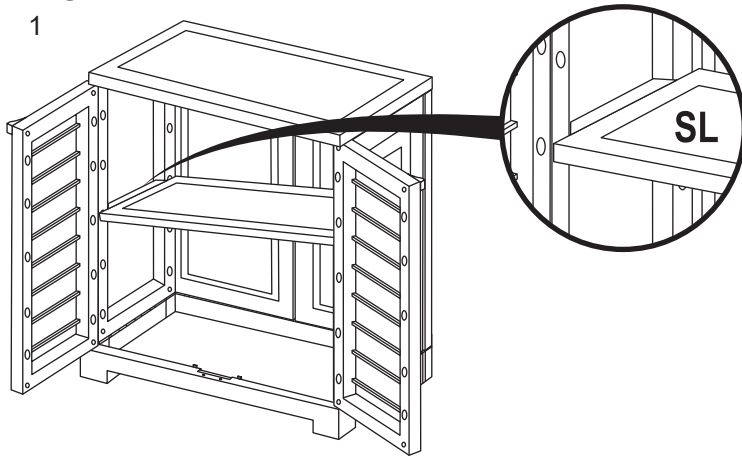
TP: 1



Ensuring the pivot pins on the doors align with the front of Top Panel (TP), firmly press the top to secure it to the unit.

STEP 5

SL: 1



Insert Shelf (SL) into the unit at a slight angle and align the shelf with one side of the unit. Then, gently press on the opposite side of the shelf until the shelf locks into place.

Care & Maintenance

SAFE USE: Only use on a flat, level surface. Do not exceed the weight capacity of the shelf. To prevent the shelf from sagging, ensure weight is evenly distributed. **DO NOT allow children or pets to play on OR inside the cabinet.** Keep doors closed when not in use.

LOCATION: Recommended for indoor use only. Avoid using this unit in locations that may freeze such as an unheated garage, porch or outdoor patio.

CLEAN: When necessary, hand wash the unit with a damp cloth. Do not use abrasive detergents, materials or cleaning tools.

To remove tough dirt and grime, mix mild detergent with warm water and use a soft cloth to gently scrub surfaces. Then, use a clean cloth and clean water to remove any residual detergent. If necessary, use a soft, lint-free cloth to dry the unit.

INSPECT: Occasionally check the unit to ensure all components are firmly secured and polypropylene is intact.

! SAFETY STATEMENTS & WARNINGS !

- Keep this product on a flat, level surface.
- Do not stand or climb on any part of this unit.
- Do not exceed the weight capacity of the unit.
- Distribute weight evenly throughout the unit to avoid tipping.
- Do not allow children to use this product.
- Do not use this item in the proximity of open flame or flammable/combustible chemicals.
- Keep furniture a safe distance from high-heat sources such as air vents, heaters, and grills.
- Do not place hot items on the unit.
- Do not use harsh chemicals or abrasive materials to clean this unit.
- This product is for residential use only; institutional or commercial use will void this warranty.

Any modification to the product or failure to follow recommended care will void the product warranty.

If you experience issues with assembly or the product was damaged during shipping, please contact our customer service team through one of the methods mentioned at the top of page 1.

Please have the item number and order information ready to expedite response time.

! WARNING:

Manufacturer and seller expressly disclaim any and all liability from personal injury, property damage or loss, whether direct or indirect, or incidental, resulting from the incorrect attachment, improper use, inadequate maintenance, or neglect of this product.