

Catalog Number	
Notes	Type

FEATURES & SPECIFICATIONS

INTENDED USE

The OnePass converters (OC), starter fixture cable (OSFC), and starter cable 2 port (OSC2) provides the interface between hardwiring and RELOC at the homerun location. The OC is a single female port available with 6 inch wire leads standard or with armored cable. The OSFC attaches directly into the access plate or through any 1/2" trade-size knockout. The OSC2 is a splitter and starter extender cable in one easy to-use component.

ELECTRICAL

- Fits a standard 1/2" trade size knockout.
- 6" leads prestripped 5/8" for ease of wiring.
- Available in varying lengths to suit most common fixture spacing requirements.
- Auto-latching springs prevent accidental disengagement.
- The OC with cable length and OSFC available with green armor standard for easy identification in healthcare facilities (HCF option).
- Non-plenum rated OC2 plastic housing.
- The OC, OSS and OSC2 with EXT option enables them to be installed in hot and cold applications (-40° to +90°C).
- Type of insulation for EXT option is based on NEC Table 310.104(A)

SYSTEM FEATURES

- Pin and socket contacts.
- Color-coded labels for quick voltage identification.
- Dust Cover available for unused ports: RDC3 METAL DUST COVER CSA/UL J50 (available job pack of 50 only)

CONTROLS-ENABLED WIRING OPTIONS

- 0-24V integrated single-circuit or 0-10V low voltage controls applications: select C12S option.
- Sensor Switch®, nLight®, LC&D XPoint™ fixture level controls applications: select CAT5_ (length) option.

LISTINGS

- C-UL-US listed for indoor, dry, and accessible locations.
- Meets or exceed all the requirements of UL183 and NEC (NFPA70) Article 604 for manufactured wiring systems.
- C12S option meets NEC requirements for separation of Class 2 and Class 3 circuits from Class 1 circuits by a barrier as defined by Article 725.136(B).
- Meets NEC requirements for redundant ground paths for patient care areas in healthcare facilities (HCF option).
- Canadian Patent No. 2,845,603 (Class I, Class II)

BUY AMERICAN ACT

This product is assembled in the USA and meets the Buy America(n) government procurement requirements under FAR, DFARS and DOT regulations.

Please refer to www.acuitybrands.com/resources/buy-american for additional information.

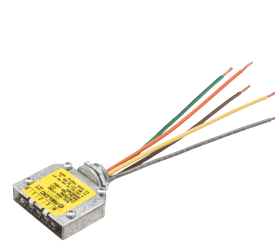
WARRANTY

5-year limited warranty. This is the only warranty provided and no other statements in this specification sheet create any warranty of any kind. All other express and implied warranties are disclaimed. Complete warranty terms located at: www.acuitybrands.com/support/warranty/terms-and-conditions

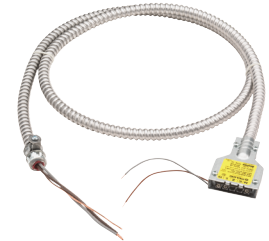
Note: Actual performance may differ as a result of end-user environment and application. Specifications subject to change without notice.

OnePass® Converter/Starter Cables

OC, OSFC, OSC2



OC
Converter



OSFC
Starter Fixture Cable



OSC2
Starter Cable 2 Port

ORDERING INFORMATION

 For shortest lead times configure product using **bolded options**.

Example: OC 277 12/4G 01 RD

Series	Voltage	Conductors	Length	Controls Wiring	Finish	Options
OC	120 120V	12/2G Three 12 AWG conductors, including one 12 AWG ground	(blank) 6" wire leads 01 ft up to 50 ft	(blank) Not required C12S Integrated CI,CII rated line voltage and signal wires ‡	(blank) Not required RD Red ‡	(blank) Not required 2N Two circuit, two neutral ‡ EXT Extreme temperature rating conductors ‡ HCF Meets healthcare facility requirements ‡
	208 208V					
	240 240V	12/3G Four 12AWG conductors, including one 12 AWG ground				
	277 277V					
	347 347V					
480 480V	12/4G Five 12 AWG conductors, including one 12 AWG ground					

‡ Option Value Ordering Restrictions & Notes

Option value	Restriction
2N	Available with 12/4G and 120 or 277 or 347 only.
C12S	Available with 12/2G only.
EXT	Available with 12/2G and 12/3G only. Required for EXTREME hot and cold temperature applications (-40° to 90°C).
HCF	Available with 12/4G only. Not available with C12S or 6" wire leads.
RD	Available in lengths up to 35 foot only. Not available with 6" wire leads.

ORDERING INFORMATION

 For shortest lead times configure product using **bolded options**.

Example: OSC2 277 10/4G 01

Series	Voltage	Conductors	Length	Controls Wiring	Finish	Options
OSC2	120 120V	10/2G Three 10 AWG conductors, including one 10 AWG ground	01 ft up to 50 ft	(blank) Not required C12S Integrated CI,CII rated line voltage and signal wires ‡ CAT5_ Preterminated and tested CAT5 cable attached, specify length ‡	(blank) Not required RD Red ‡	(blank) Not required 2N Two circuit, two neutral ‡ EXT Extreme temperature rating conductors ‡
	208 208V					
	240 240V	10/3G Four 10 AWG conductors, including one 10 AWG ground				
	277 277V					
	347 347V					
	480 480V	10/4G Five 10 AWG conductors, including one 10 AWG ground				
		12/2G Three 12 AWG conductors, including one 12 AWG ground				
	12/3G Four 12 AWG conductors, including one 12 AWG ground					
	12/4G Five 12 AWG conductors, including one 12 AWG ground					

‡ Option Value Ordering Restrictions & Notes

Option value	Restriction
2N	Available with 10/4G or 12/4G and 120 or 277 or 347 only.
C12S	Available with 12/2G only.
CAT5_	See spec sheet RCAT5 for details. When used with OCS, OCU or OD fixture drop, CAT5 length must include the length of the OSC2 and the length of drop for the fixture plus 2FT.
EXT	Available with 10/2G or 10/3G or 12/2G or 12/3G only. Required for EXTREME hot and cold temperature applications.(-40° to 90°C).
RD	Available in lengths up to 35 foot only.

ORDERING INFORMATION

For shortest lead times configure product using **bolded options**.

Example: OSFC 277 12/2G 05

Series	Voltage	Conductors	Length	Connector Type	Controls Wiring	Options	CAT5 Cable
OSFC	120 120V	12/2G Three 12 AWG conductors, including one 12 AWG ground	01 ft up to 50 ft	(blank) Not required RRL RELOC®-ready luminaires ‡	(blank) Not required C12S Integrated Cl,ClI rated line voltage and signal wires ‡	(blank) Not required G Ground wire ‡ 2N Two circuit, two neutral ‡ HCF Meets healthcare facility requirements ‡	(blank) Not required CAT5_ Preterminated and tested CAT5 cable attached, specify length ‡
	208 208V						
	240 240V						
	277 277V						
	347 347V						
480 480V	12/3G Four 12AWG conductors, including one 12 AWG ground						
		12/4G Five 12 AWG conductors, including one 12 AWG ground					

‡ Option Value Ordering Restrictions & Notes

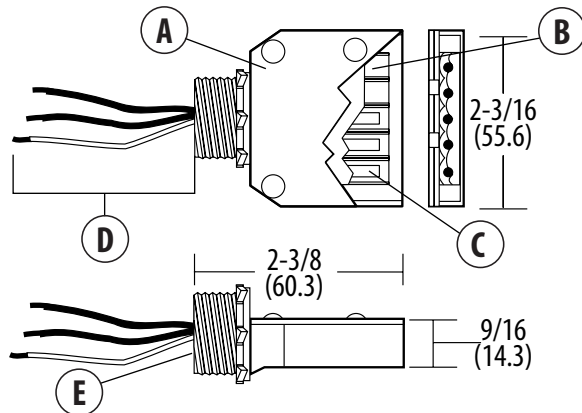
Option value	Restriction
2N	Available with 12/4G and 120 or 277 or 347 only.
C12S	Available with 12/2G only.
CAT5_	See spec sheet RCAT5 for details. CAT5 length must be 2 foot longer than OSFC length.
G	G option required for use in Canada. Required for C12S, HCF, and RRL Option.
HCF	Available with 12/4G only. Not available with C12S or CAT5_.
RRL	For use with fixtures. Fixture must have RRL and wiring instruction installed to use this option. See fixture spec sheet for details and availability. See RRL spec sheet for connector details.

OC – Converter

DIMENSIONS

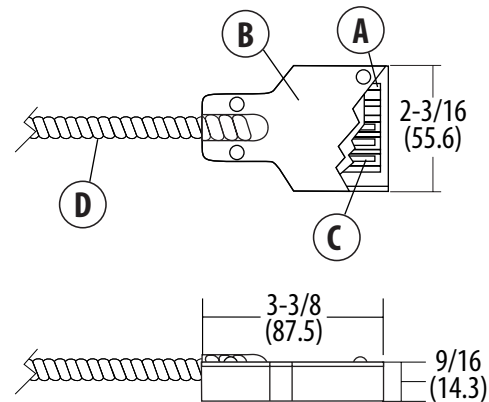
Dimensions are shown in inches (millimeters)

Standard Construction



- A – 18-gauge, zinc-plated, CRS cover
- B – UL-recognized connector body
- C – Tin-plated, brass contacts
- D – 6" leads prestripped 5/8"
- E – Threaded nipple with locknut for easy installation in 1/2" trade-size K.O.

Armored Cable Construction



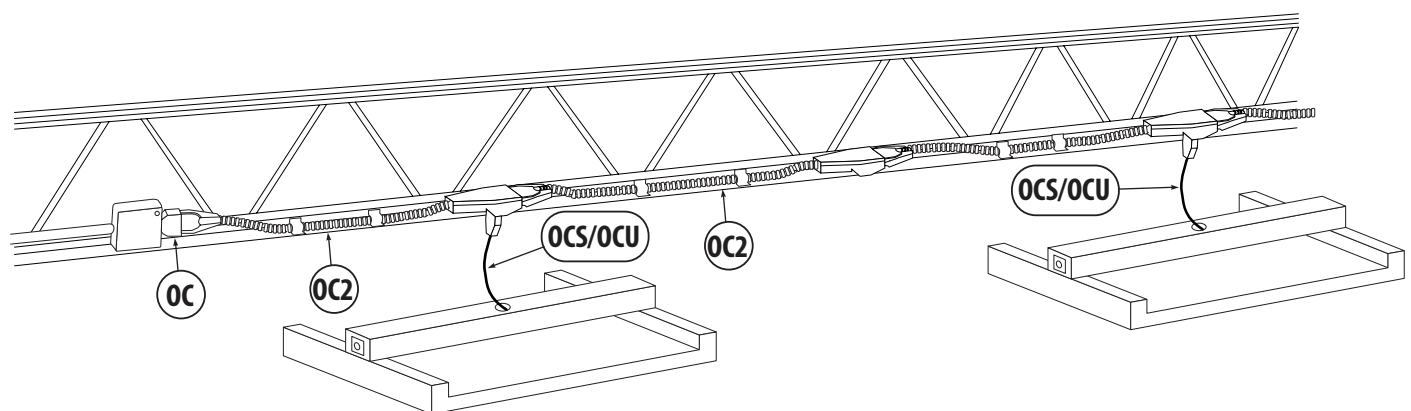
- A – Die-cast zinc with zinc-plated CRS cover
- B – UL recognized connector body
- C – Tin-plated brass contacts
- D – Length option required. MC Cable standard. HCF MC, C12S MC optional. IGW option standard with FMC.

NOTES

- One, two or three hot conductors in 120V and 277V as required.
- Rated for 20-amp capacity.
- Prefabricated circuit distributor carrying No. 12 AWG copper conductors rated at 600V, 90°C thermoplastic insulation and fully rated solid bare grounding conductor.

SYSTEM VIEW

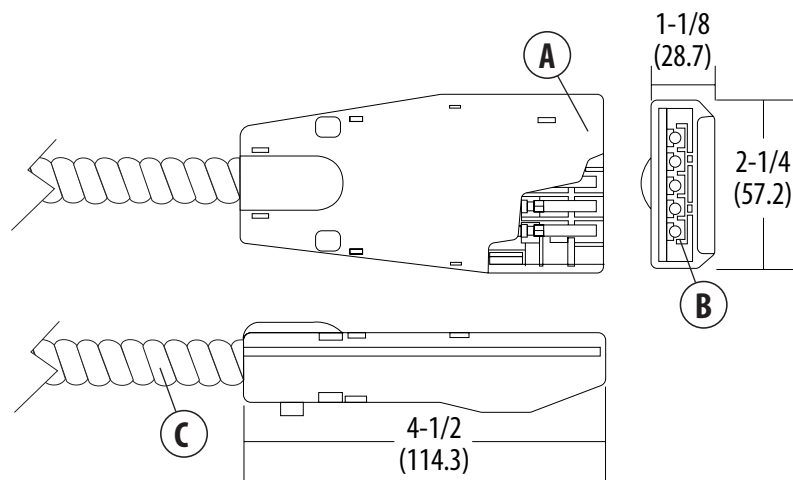
System View designs are for illustrative purposes only.



OSC2 – Starter Cable 2 Port

DIMENSIONS

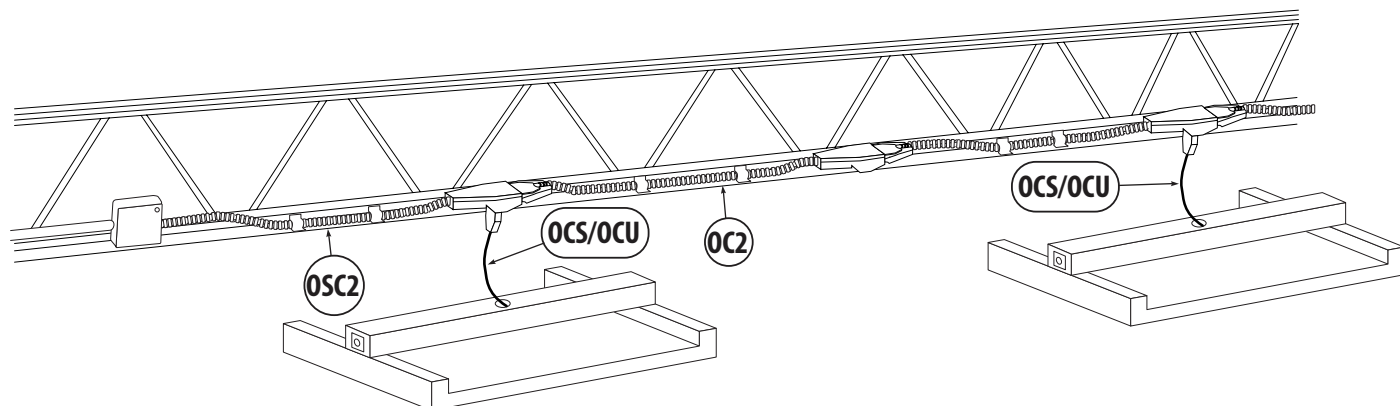
Dimensions are shown in inches (millimeters)



- A** – Injection-molded, high-impact polymeric compound enclosure
- B** – Tin-plated, brass contacts
- C** – MC Cable standard. C12S MC optional.

SYSTEM VIEW

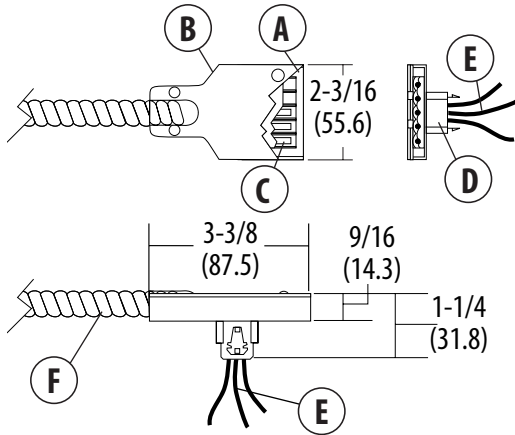
System View designs are for illustrative purposes only.



OSFC – Starter Fixture Cable

DIMENSIONS

Dimensions are shown in inches (millimeters)



- A – UL-recognized connector body
- B – Die-cast zinc with zinc-plated CRS cover
- C – Tin-plated, brass contacts
- D – Cast snap-in fitting fits 1.2" trade-size K.O. and provides grounding
- E – No. 18 AWG solid copper wires rated at 600V, 90°C thermoplastic insulation with stripped leads
- F – MC Cable standard. FMC, HCF MC, C12S MC optional

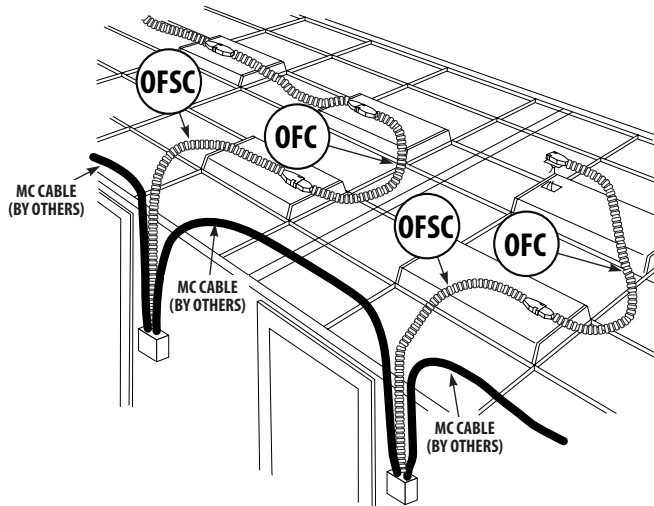
NOTES

- One, two or three hot conductors in 120V and 277V as required.
- Rated for 20-amp capacity.
- Prefabricated standard selector cable carrying No. 12 AWG copper conductors. 600V, 90°C thermoplastic insulation and fully rated bare grounding conductor.
- Standard selector cable provides auto-grounding to fixture unless specified otherwise.

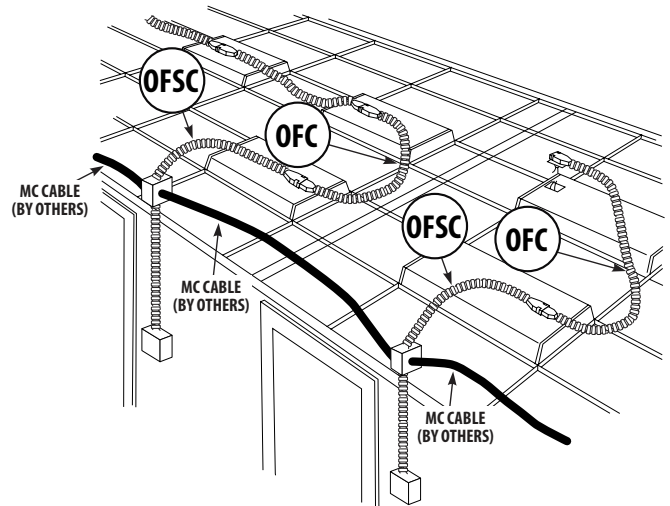
SYSTEM VIEW

System View designs are for illustrative purposes only.

Connection inside the wall



Connection above the wall



ONEPASS® CONVERTER/STARTER CABLES WIRE COLOR CHART

120V, 277V, 347V Standard Wire Colors					
Position	1	2	3	4	5
Conductor	Ground	Hot# 1	Hot# 2	Hot# 3	Neutral #1
120V & 347V	Bare or Green	Black	Red	Blue	White
277V	Bare or Green	Brown	Orange	Yellow	Gray
208V, 240V, 480V Standard Wire Colors					
Position	1	2	3	4	5
Conductor	Ground	Hot# 1	Hot# 2	Hot# 3	Hot #4
208V & 240V	Bare or Green	Black	Red	Blue	Violet
480V	Bare or Green	Brown	Orange	Yellow	Violet
120V, 277V, 347V Two Circuit, Two Neutral (2N option)					
Position	1	2	3	4	5
Conductor	Ground	Hot# 1	Hot# 2	Neutral #2	Neutral #1
120V & 347V	Bare or Green	Black	Red	Gray	White
277V	Bare or Green	Brown	Orange	White	Gray
120V, 277V, 347V Class I, Class II (C125 option)					
Position	1	2	3	4	5
Conductor	Hot #1	Neutral #1	Ground	Data #1	Data #2
120V & 347V	Black	White	Bare or Green	Violet	Pink (or Gray)
277V	Brown	Gray	Bare or Green	Violet	Pink (or Gray)
208V & 240V	Brown	Orange	Bare or Green	Violet	Pink (or Gray)
480V	Brown	Orange	Bare or Green	Violet	Pink (or Gray)
120V Isolated Ground Wire (IGW option)					
Position	1	2	3	4	5
Conductor	Ground	Hot# 1	Hot# 2	IGW	Neutral #1
120V	Bare or Green	Black	Red	Green w/Yellow stripe	White