

## Assembly Instructions

Dinning Table Top and Base

Model # : 385-272/273  
: 285-272/273

Thank you for purchasing Bernhardt furniture . Please check all packing material to ensure proper assembly. Please read all instructions carefully before starting the assembly process . Some parts are large and heavy and require AT LEAST TWO PEOPLE to assemble , in order to prevent possible injury and / or damage to the piece

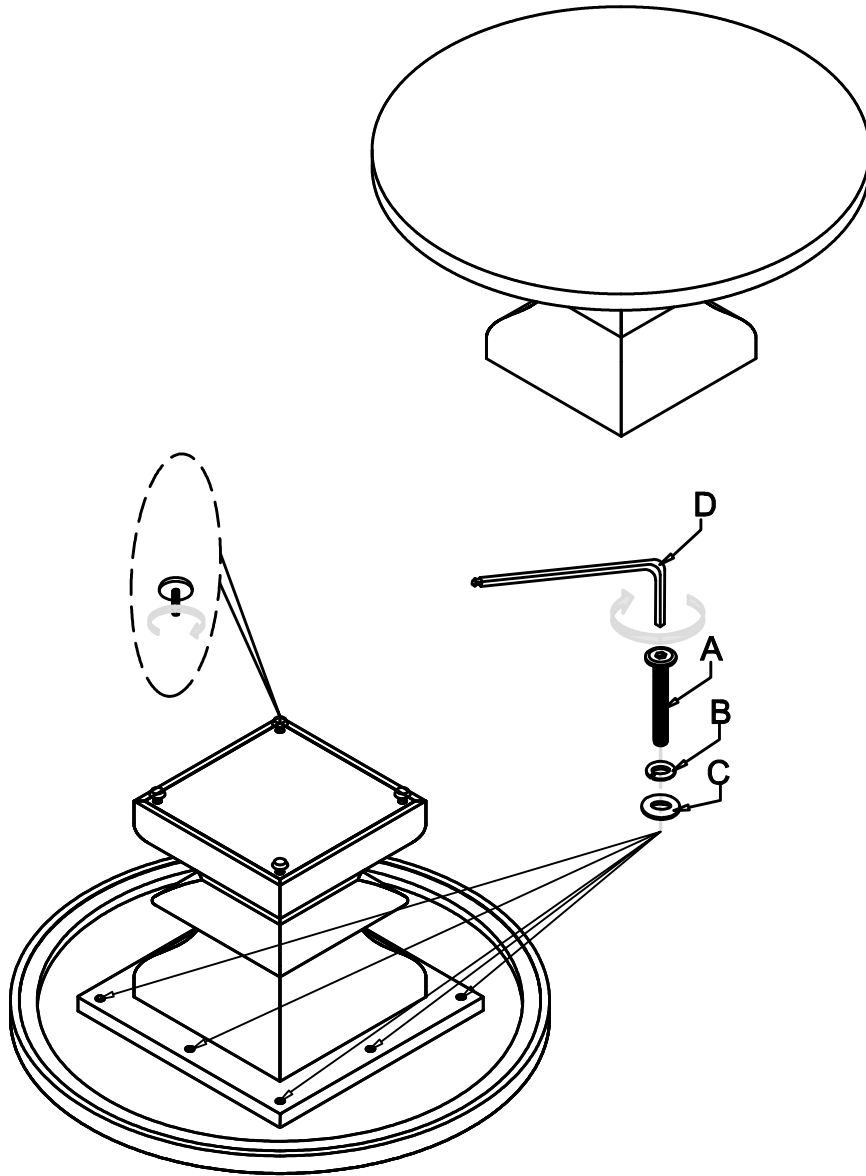






Figure 1

No.	Hardware List	Q'ty
A	 Bolts Ø5/16xL1-1/2"(Ø14)	8
B	 Lock Washer Ø5/16xØ14x1	8
C	 Flat Washer Ø5/16xØ18x1	8
D	 Allen Wrench 5mm	1

**Cleaning instruction:** Wipe surface to be cleaned with damp cotton cloth ; dry immediately with soft dry cotton cloth to remove all moisture .