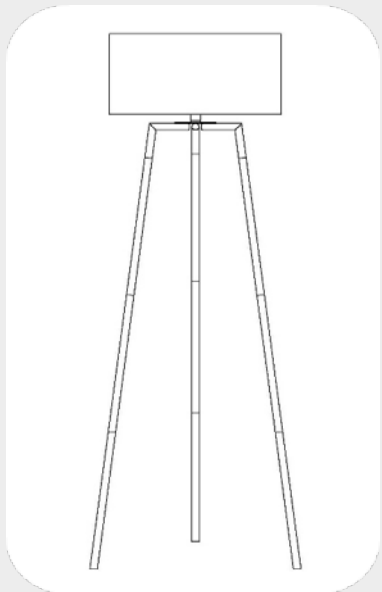




VERSANORA

Baker

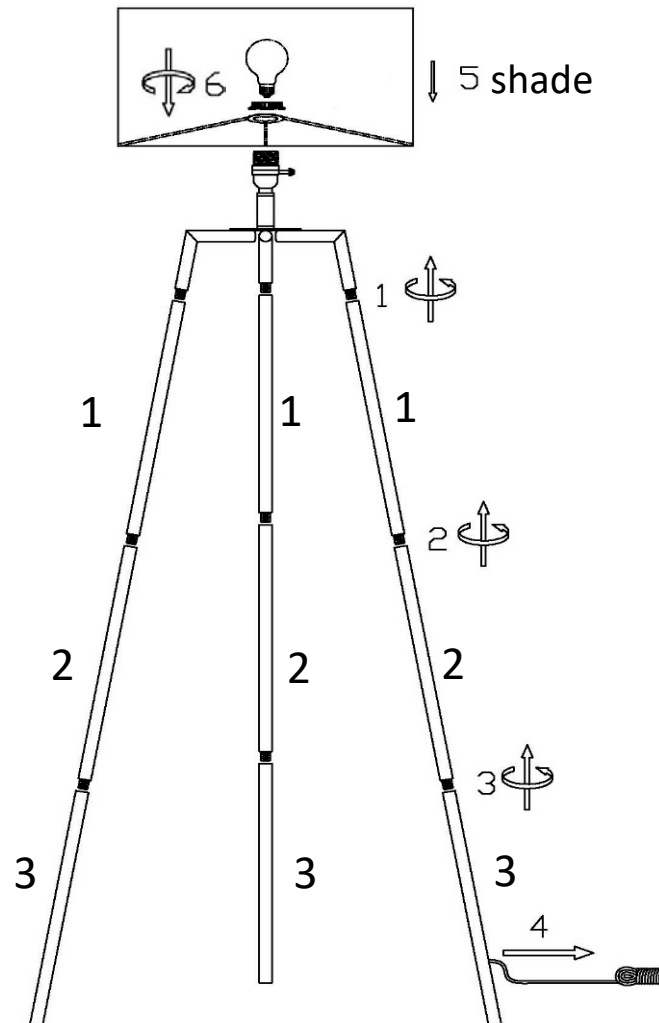
Modern floor lamp



VN-L00050



(Bulb not included)



Warning:

Small parts & sharp edges may be present prior to assembly.

Care Instructions:

To clean your product, use a mild soap & water on a damp cloth. Do not use window cleaners or cleaning abrasives as they will scratch the surface and could damage the protective coating.

Customer Service:

For questions regarding this product, or to receive replacement or missing parts, please contact customer service based on your location. Please have ready the model number when you contact us.

USA : partsandreplacements@teamson.com or 1-800-935-3959

T:631-274-3353

E:support@teamson.com

WWW.versanora.com