

INSTRUCTIONS FOR MODELS

B-1100

Oval Undermount Sink with Round Bottom

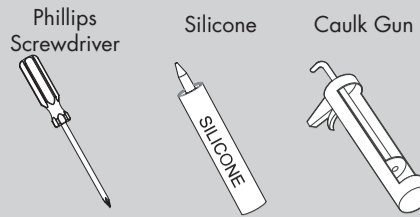
B-1101

Oval Undermount Sink with Flat Bottom

B-1200

Rectangular Undermount Sink

TOOLS AND SUPPLIES



IMPORTANT

- Do not over-tighten any connections or damage may occur.
- Be sure to read instructions thoroughly before beginning installation.
- This installation manual covers several models. While your models may look different, it will install in the same manner.
- **IMPORTANT:** Provide your countertop manufacturer with your bathroom sink model number. Countertop manufacturer should preinstall the anchors into the underside of the countertop.
- Use the anchors and fasteners provided by the countertop manufacturer and the clamps provided with your sink.
- **DO NOT** use adhesives or adhesive sealants to install this sink. Observe all local plumbing and building codes.

SAFETY TIPS

- ⚠ **CAUTION: Risk of personal injury.** Product can break, chip or cause injury if handled carelessly. Handle with care.

MAINTENANCE

Your new Speakman Product is designed for years of trouble-free performance. Keep it looking new by cleaning it periodically with a soft cloth. The use of harsh chemicals and abrasives on any of the Speakman custom finish products may damage the finish and void the product warranty. Please be sure to only use approved cleaners. Please contact Speakman for any clarification of acceptable cleaners.

WARRANTY

Warranty information can be found at: www.speakman.com

NEED HELP?

For additional assistance or service please contact:

SPEAKMAN®

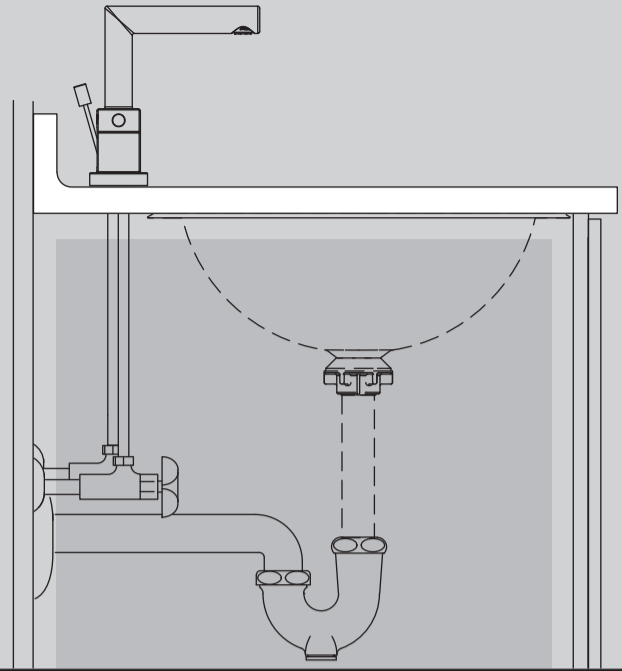
800-537-2107

customerservice@speakman.com

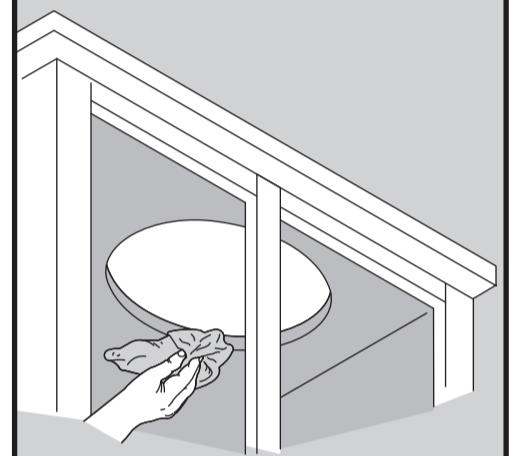
www.speakman.com

92-B-1100-1200-01

1 Verify cabinet clearance.



2 Clean the underside of the countertop and the rim of the sink.



For Cutout Templates please refer to your specific model.

B-1100 / B-1101
96-B-1100-AW-01

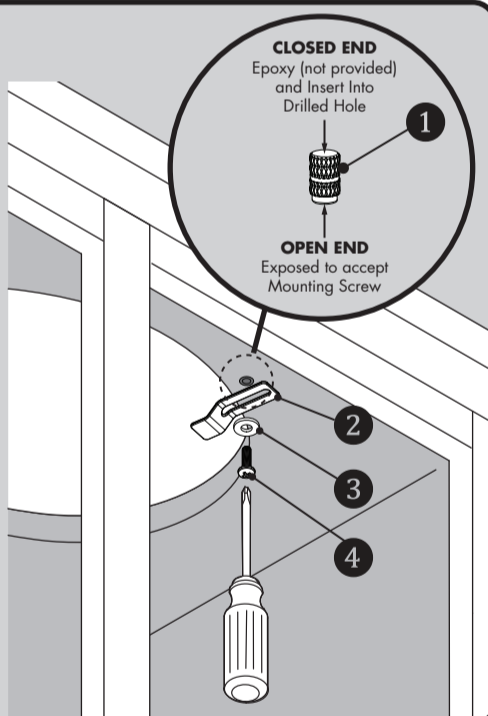
B-1200
96-B-1200-AW-01

- 3** • Installation for **Solid Surface** countertops with a minimum thickness of 1" (25mm). *Installer must supply anchors for thinner countertops.*

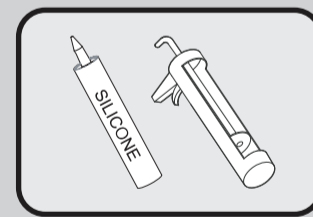
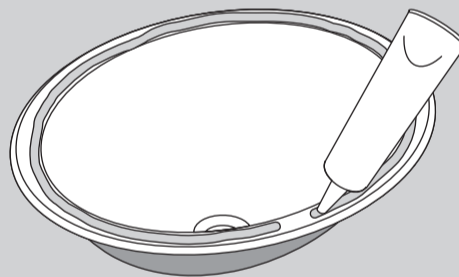
• **For Solid Surface:** Drill anchor holes 3/8" Dia. x 1/2" deep. Apply small amount of Epoxy (not provided) to closed end of Threaded Knurl (1). Insert Threaded Knurl (threaded open end exposed).

• Then loosely install the provided Mounting Clip (2), Washer (3) and Screw (4) as shown.

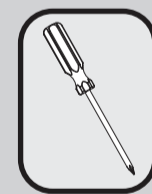
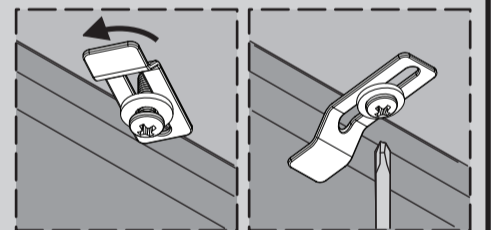
NOTE: For Wood Countertops use Wood Screws (not provided) and Anchors.



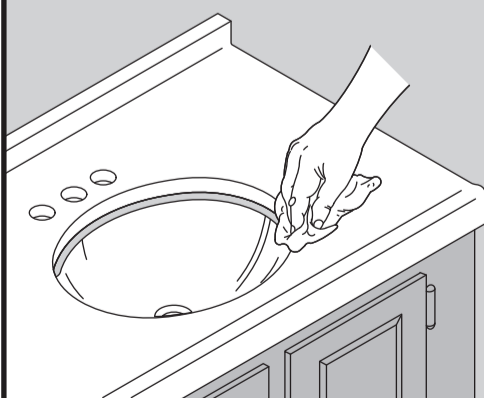
- 4** Generously apply 100% silicone sealant around the rim.



- 5** Position the sink under the opening. Hold the sink in place and rotate each clip over the rim. Evenly tighten the clips to secure.

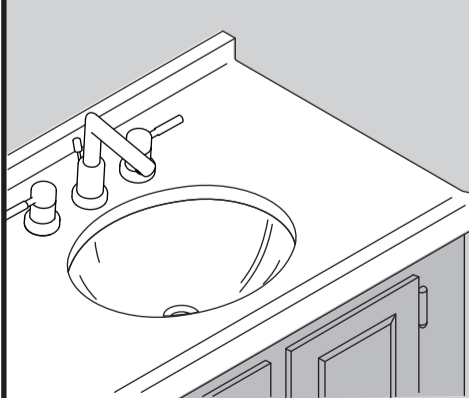


- 6** Immediately wipe away any excess sealant.

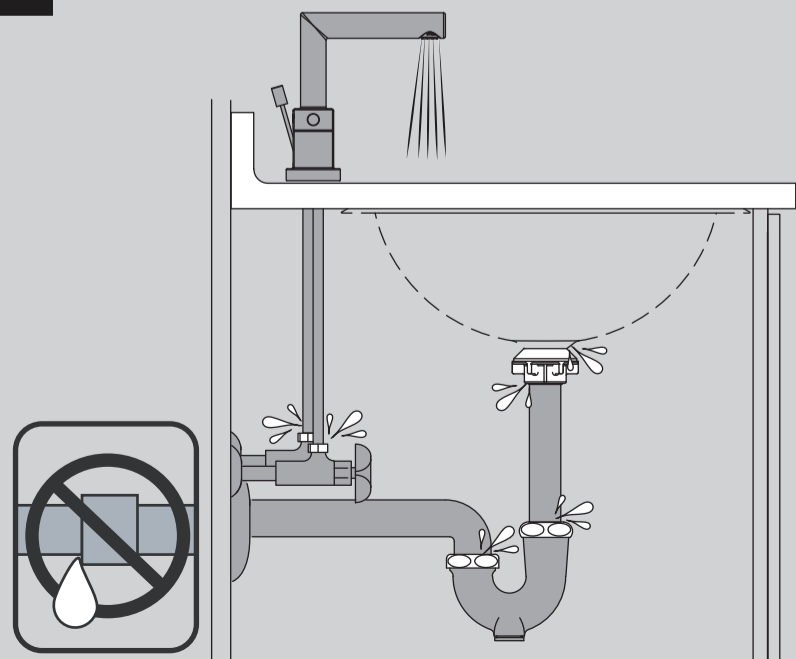


NOTE: Allow Sealant to set before proceeding!

- 7** Complete the faucet and drain installations.

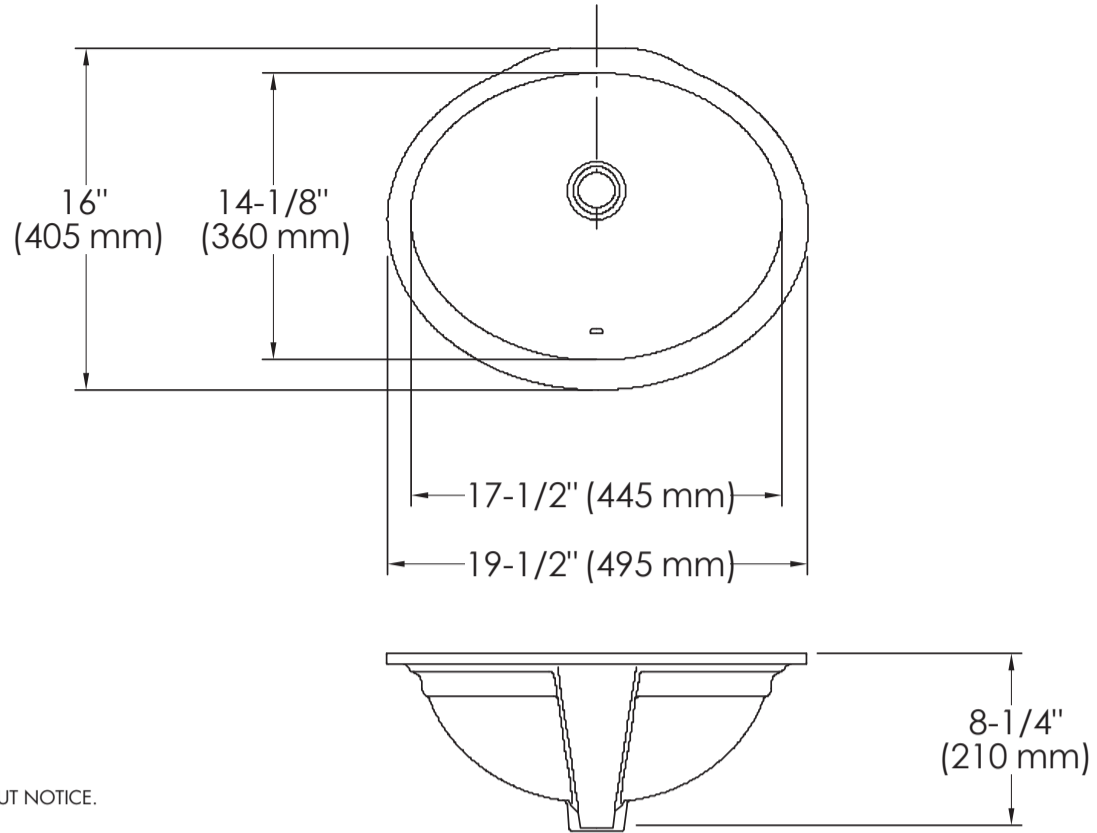


- 8** Run water into the sink and check all connections for leaks.



B-1100 ROUGH-IN DIAGRAM

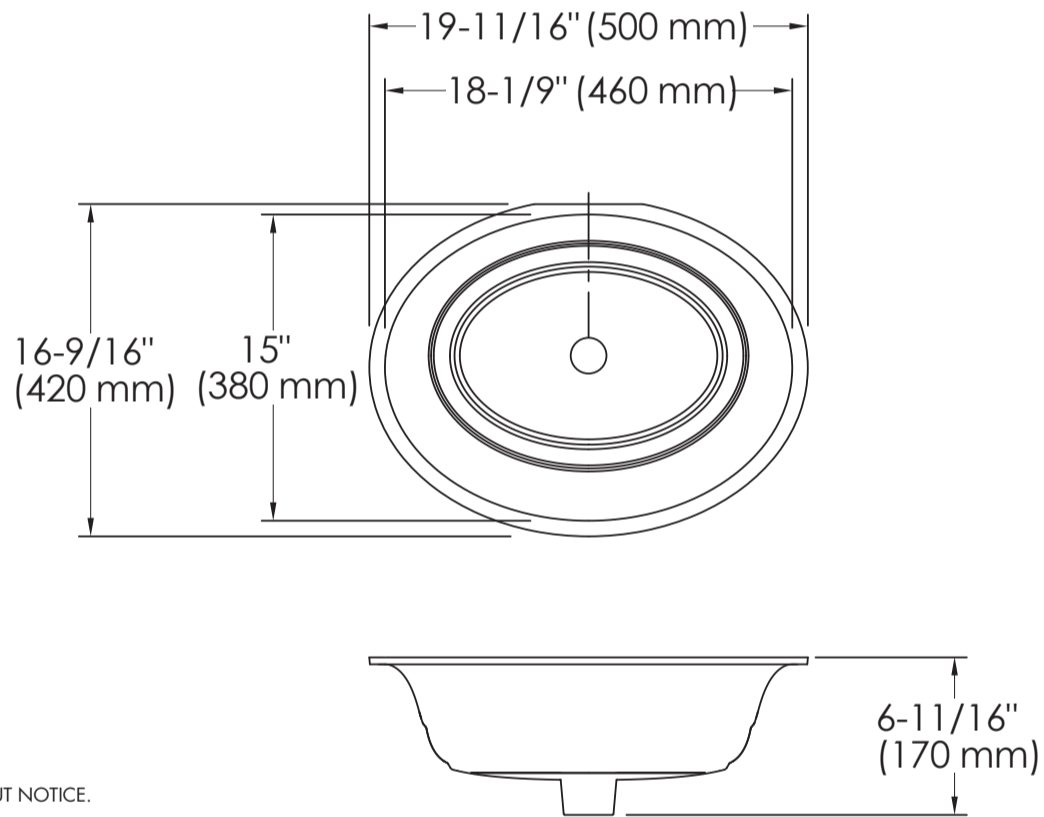
SPEAKMAN®



DIMENSIONS SUBJECT TO CHANGE WITHOUT NOTICE.

B-1101 ROUGH-IN DIAGRAM

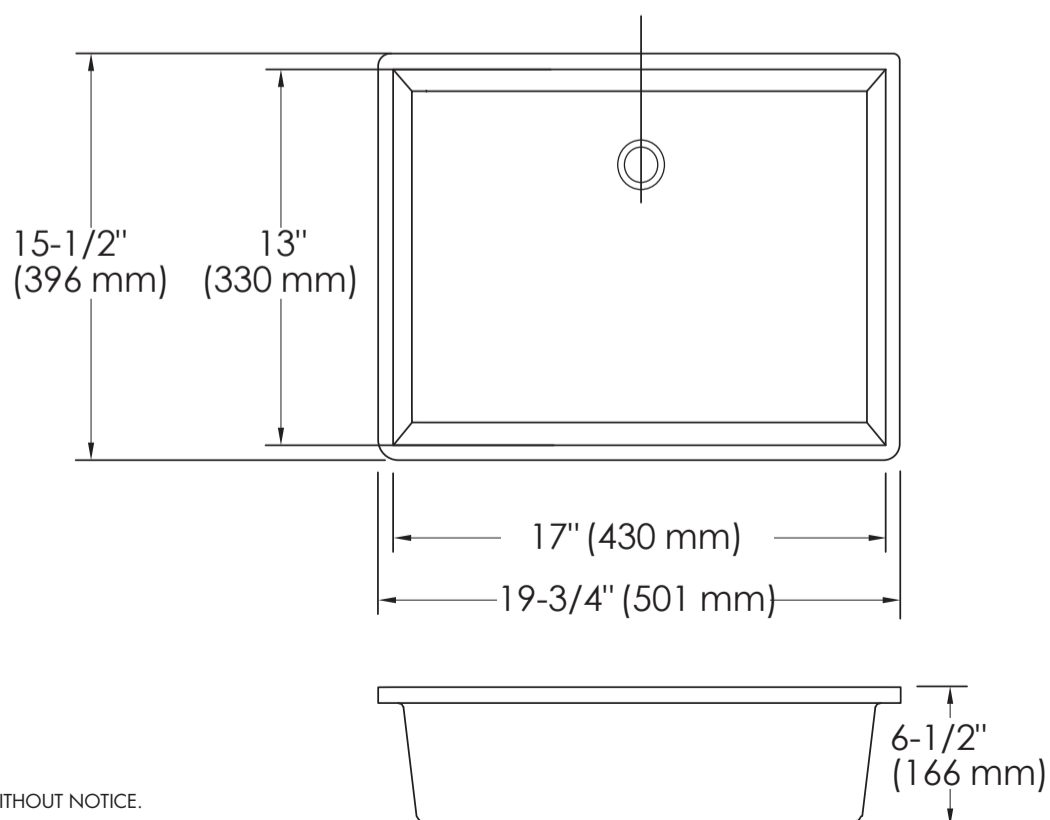
SPEAKMAN®



DIMENSIONS SUBJECT TO CHANGE WITHOUT NOTICE.

B-1200 ROUGH-IN DIAGRAM

SPEAKMAN®



DIMENSIONS SUBJECT TO CHANGE WITHOUT NOTICE.