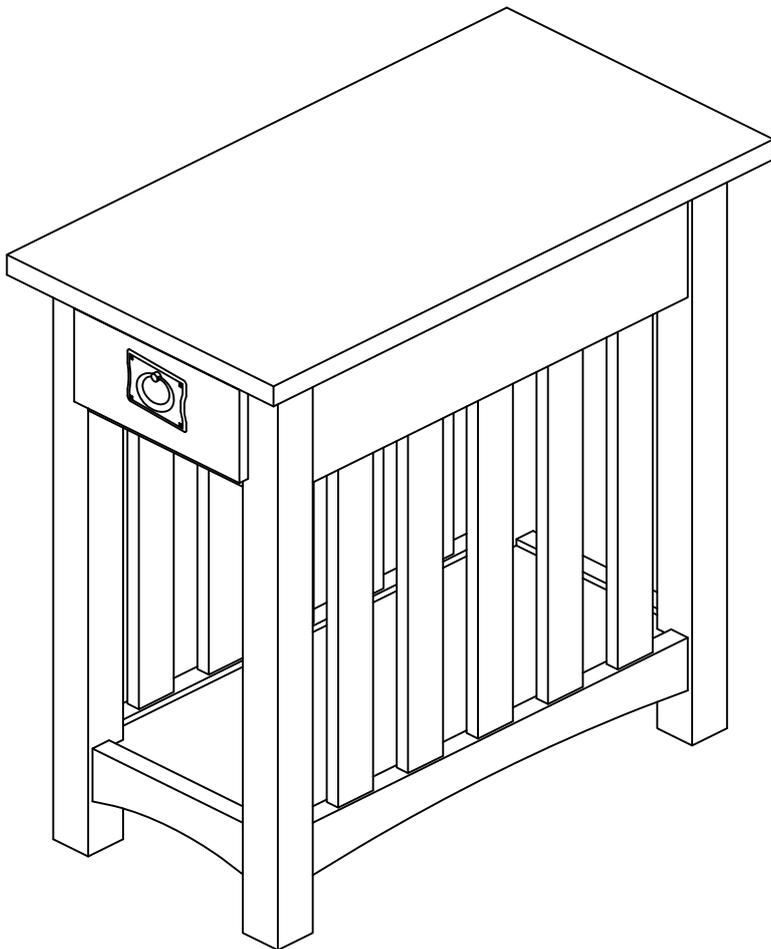


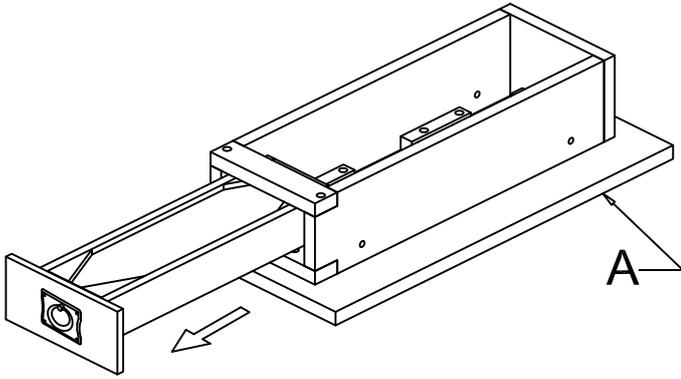
Assembly Instructions, #8202 Side Table



A: Top Assembly	
B: (2) Side Frames	
C: Shelf	
D: (4) Long Bolts	
E: (8) Lock Washers	
F: (8) Flat Washers	
G: Allen Wrench	
H: (4) Short Bolts	

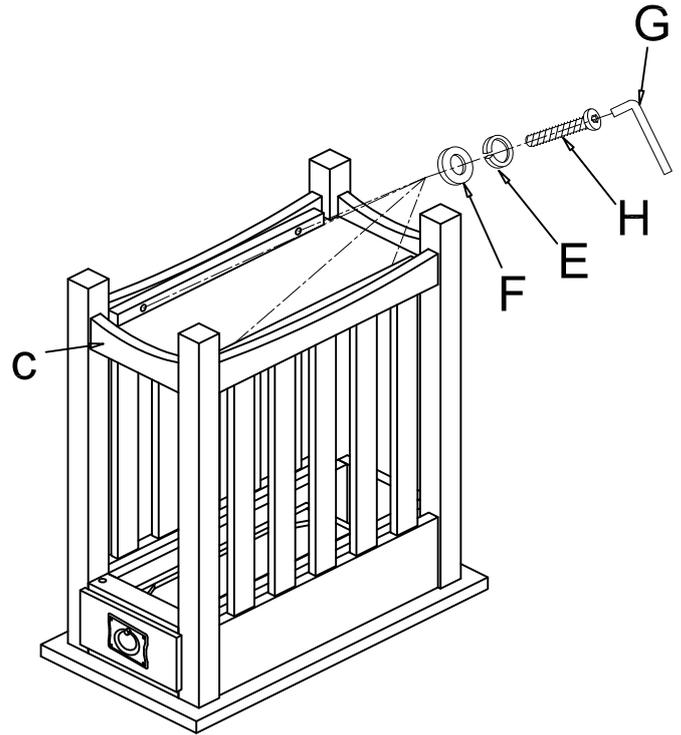
Step 1

Place the top assembly (A) upside down on a soft surface and then open the drawer.



Step 3

Attach the shelf to the side panel by the short bolts (H), flat washers (F) and lock washers (E) using the Allen wrench (G).



Step 2

Align the threaded holes in the legs with the holes on the aprons and secure in place with the long bolts (D), flat washers (F) and lock washers (E) using the Allen wrench (G).

