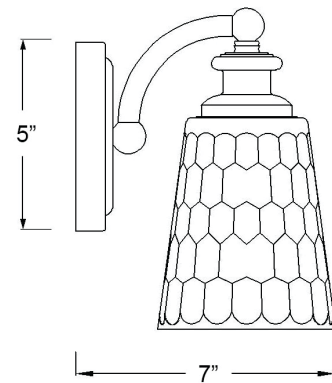
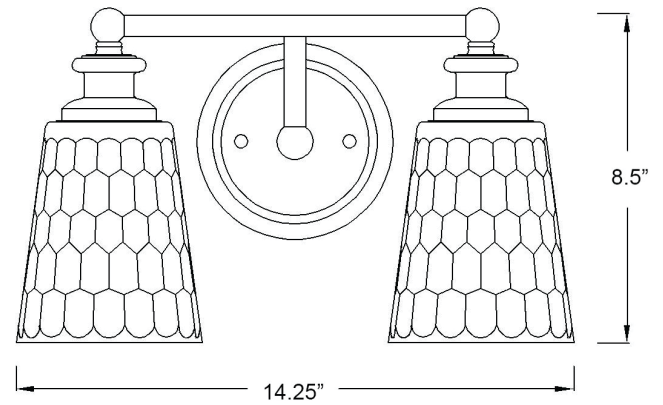


# IN40021ORB

## MAE 2-LIGHT WALL SCONCE



<b>Description:</b>	Mae 2-Light Wall Sconce
<b>Finish:</b>	Oil-Rubbed Bronze
<b>Dimensions:</b>	14-1/4" W x 8-1/2" H x 7" ext. Height on Center: 5"
<b>Bulbs:</b>	2-100W Med.
<b>Installed Weight:</b>	3.75 lbs.
<b>Certification:</b>	cUL / damp location

<b>Material:</b>	Steel and glass
<b>Shades:</b>	Glass
<b>Glass:</b>	Clear Optic
<b>Back Plate Dimensions:</b>	5" Dia.
<b>Chain/Wire:</b>	NA
<b>Additional Finishes:</b>	Chrome and matte black