

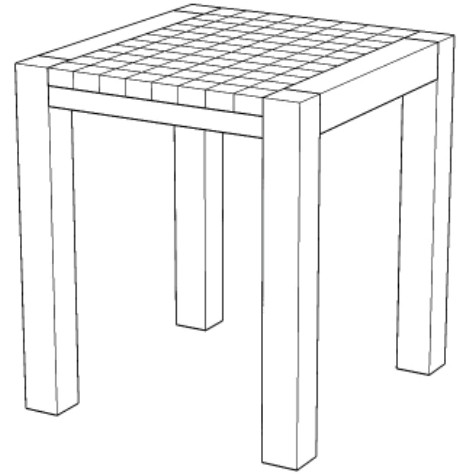
88 5601 20 End Table

IMPORTANT NOTE

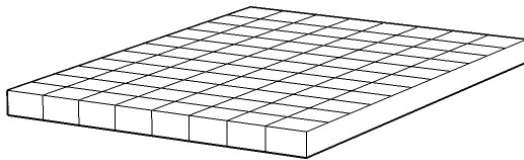
Carefully remove all the parts from the carton and put them individually on a soft cloth to prevent scratches or other damage occurring to the parts.

We have taken great care in the design of this product and request that you carefully and strictly follow our assembly instructions to ensure a completed product as it was designed.

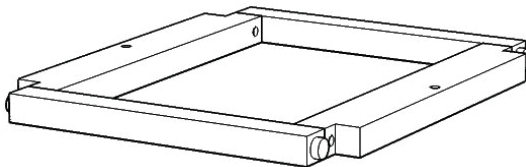
Home
Styles



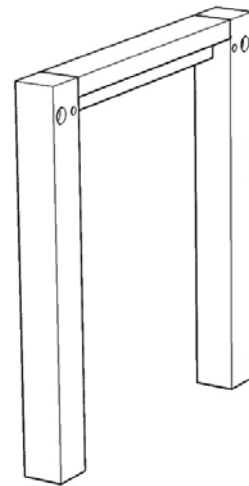
Part List



A.
Top
1 Pc.



C.
Frame
1 Pc.



B.
Leg
2 Pcs.

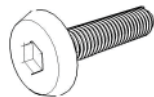
Hardware List



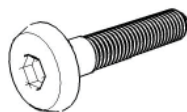
Hex Wrench
1 Pc.



Small Hex Wrench
1 Pc.



M8x50
Head Cap Bolt (short)
2 Pcs. (+1 extra)



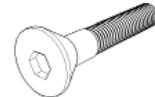
M8x60
Head Cap Bolt (long)
4 Pcs. (+1 extra)



Flat Washer
4 Pcs. (+1 extra)



Spring Washer
4 Pcs. (+1 extra)



M6x15
Tapered Head Cap Bolt
4 Pcs. (+1 extra)



Connector
4 Pcs.

Tools required for assembly : Phillips screwdriver

Tools recommended for assembly : Level

Home Styles Consumer Assistance: www.homestyles-furniture.com,
servicedesk@homestyles-furniture.com, 888-680-7460, 877-831-0319

Assembly Instructions 2/2

IMPORTANT

- * Please keep Hex Wrench in a safe place as you may need to tighten up the Head Cap Bolts in the future.
- * Do not tighten up all the Head Cap Bolts until each part is properly assembled.
- * Use a soft cloth between these parts and the floor.
- * After assembly item must be level to work properly. Use the included adjustable levelers to level.

STEP 1

Attach Legs (B) to Frame (C) with Connectors, Flat Washers, Spring Washers, Head Cap Bolts (long) and Head Cap Bolts (short). (See Figure 1)

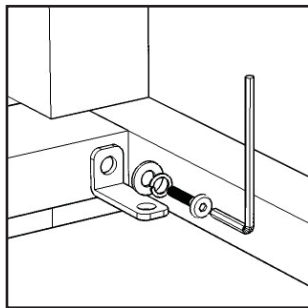
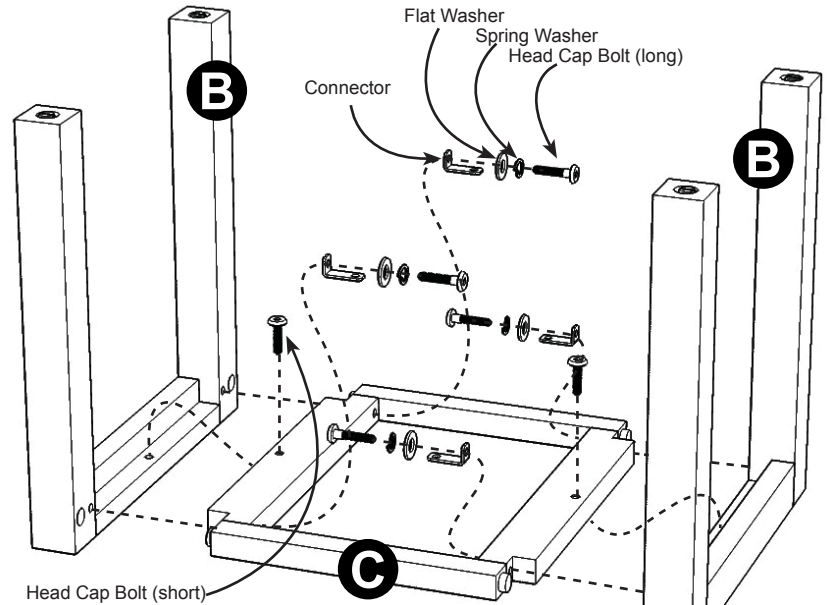


Figure 1



STEP 2

Place Top (A) upside down on a soft cloth.

Attach Top (A) to unit with Tapered Head Cap Bolts.

Turn the unit over to its' upright position.

To level the unit, adjust the adjustable levelers on the bottom of the legs. (See Figure 2)

Note : Unit must be level to work properly.

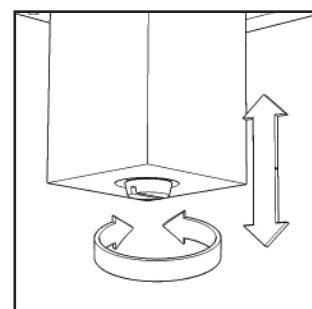
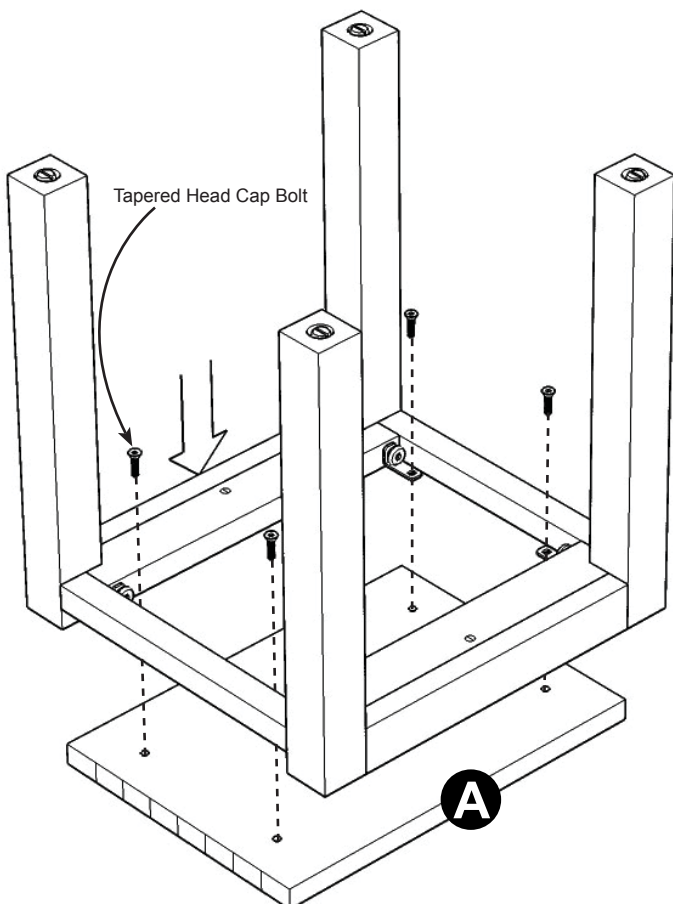


Figure 2