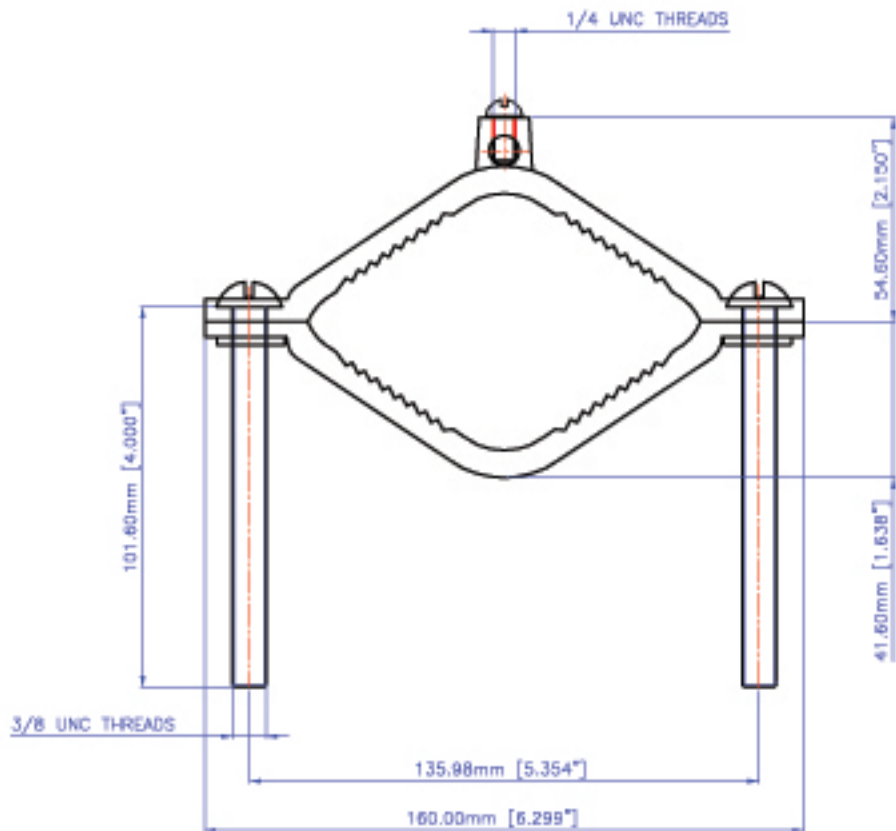
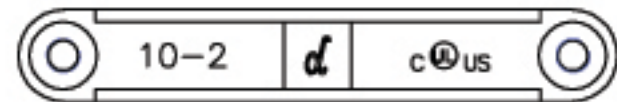


WATER PIPE SIZE	2½"–4"
CONDUCTOR RANGE	10 sol – 2 str



① UPPER PART



② LOWER PART

Dimension shown in mm & (inches). DO NOT SCALE		Item No	GCB250400	GARVIN
		Name	GROUND CLAMP 2½"–4" (Bare Wire)	
		Material	COPPER BASE ALLOY	
		Screw	MS , WHITE ZINC PLATED	
Tolerances +-2.5%		Drawn by	V.T.	