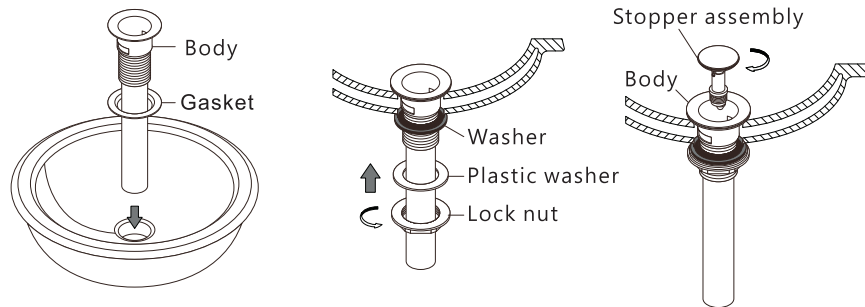


## Maintenance

Regularly clean your faucet to maintain a flawless finish.

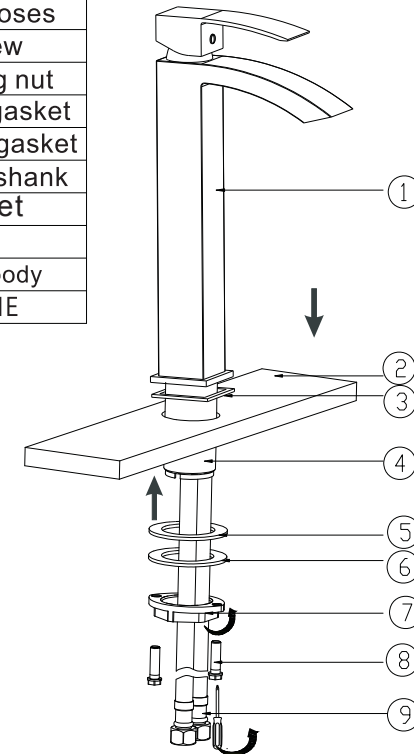
1. Clean the faucet with clear water, then dry the faucet with soft cotton cloths.
2. Do not use any acid or abrasive detergent or even abrasive cloth to clean the faucet.
3. Remove the aerator to clean away any dirt and debris to keep the water running smoothly.



### Push Operated pop-Up Drain Installation

1. Install pop-up body and gasket into the hole.
2. Install washer, plastic washer and lock nut onto pop-up body from underneath the basin. And then tighten lock nut.
3. Put stopper assembly into drain. And then tighten stopper assembly to connect with pop-up body.

9	inlet hoses
8	screw
7	locking nut
6	metal gasket
5	rubber gasket
4	thread shank
3	gasket
2	sink
1	faucet body
S/N	NAME



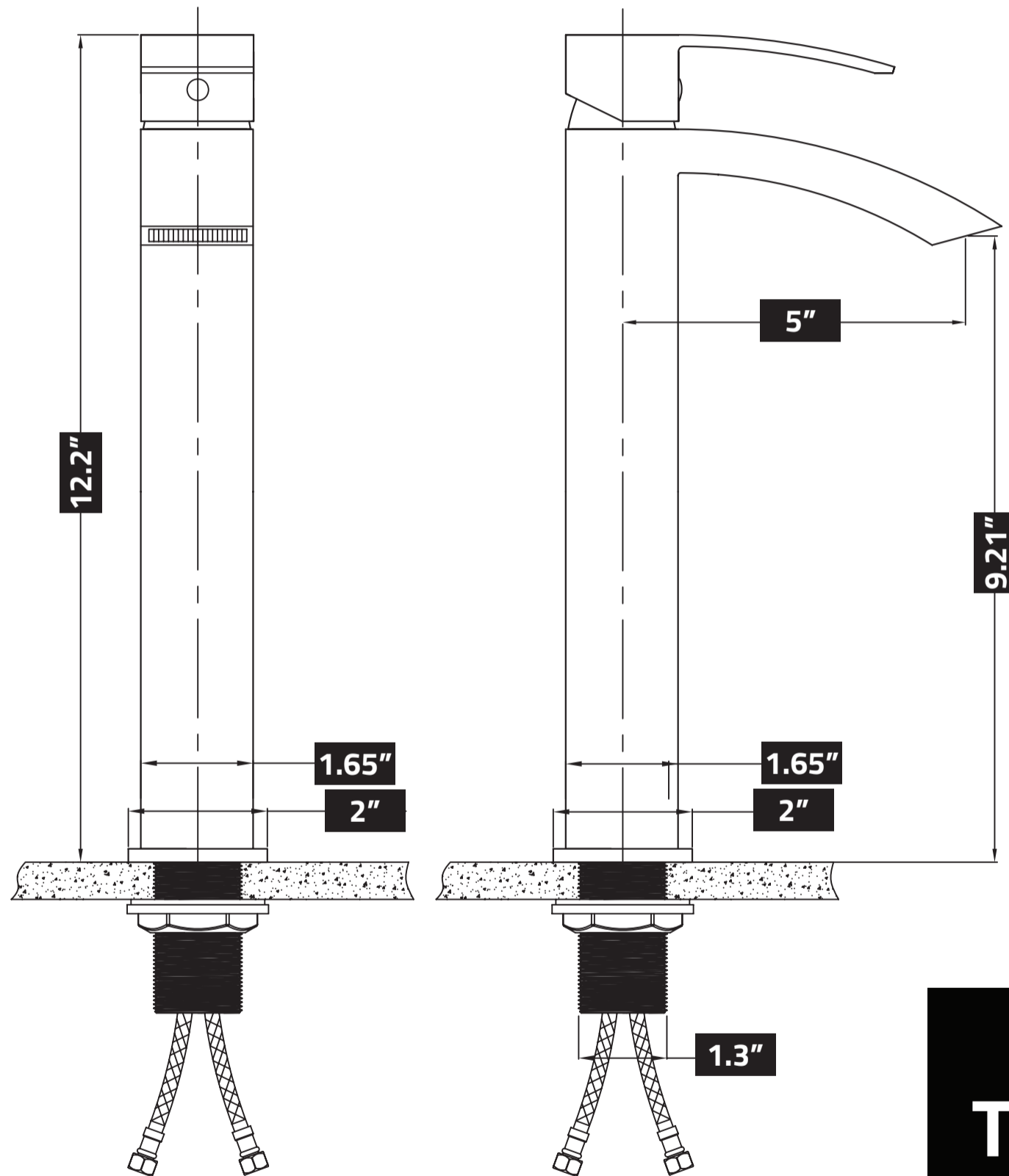
### Bathroom Sink Faucet (Single Hole) Installation

1. Drill a  $\varnothing 1.3'' - \varnothing 1.38''$  hole into the sink, put the gasket(3) into the groove under the faucet body(1).
2. Insert the faucet body(1) on the sink through the hole, put on the rubber gasket (5) and metal gasket (6) in order, then lock the locking nut (7) and tighten it with the screws (8).
3. Connect the flexible hose with the supply tube, left(red) for hot water, right (blue) for cold.



# ANZZI VESSEL SINK FAUCET

## VESSEL SINK FILLER



**L-AZ075  
TUTTI SERIES**