






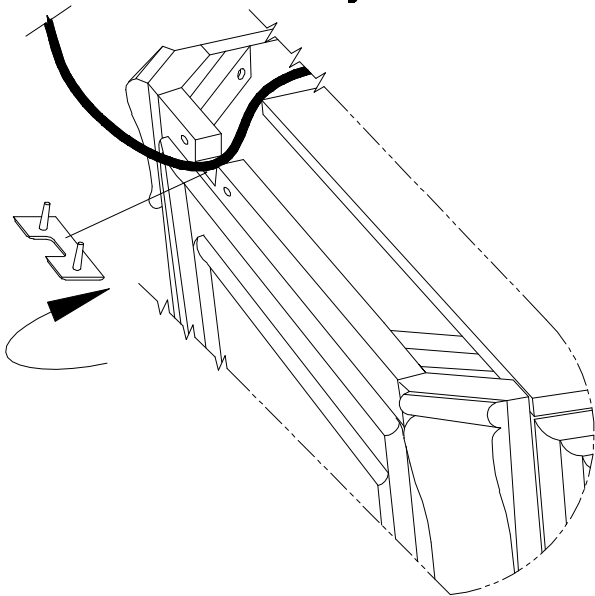
HOOKER

INSTRUCTION FOR 281 Exec "L" Right return (#281-10-468&473)

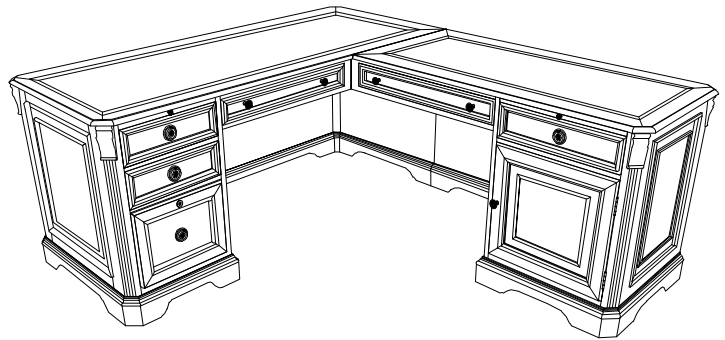
*** please read all instructions carefully before starting the assembly process.***

NO.	HARDWARE LIST			QTY
A	Bolt		Ø 5/16"x1-1/2"	2pcs
B	Spring		Ø 5/16"	2pcs
C	washer flat		Ø 5/16"x23mm	2pcs
D	washer wrench		Ø 5/16"	1pc
E	Screw		Ø 6x5/8"	3pcs

NOTE: extra key located on bottom side of knee hole.



281 Exec "L" Right return



281-10-468 LEFT PEDESTAL DESK

281-10-473 RIGHT PEDESTAL RETURN

