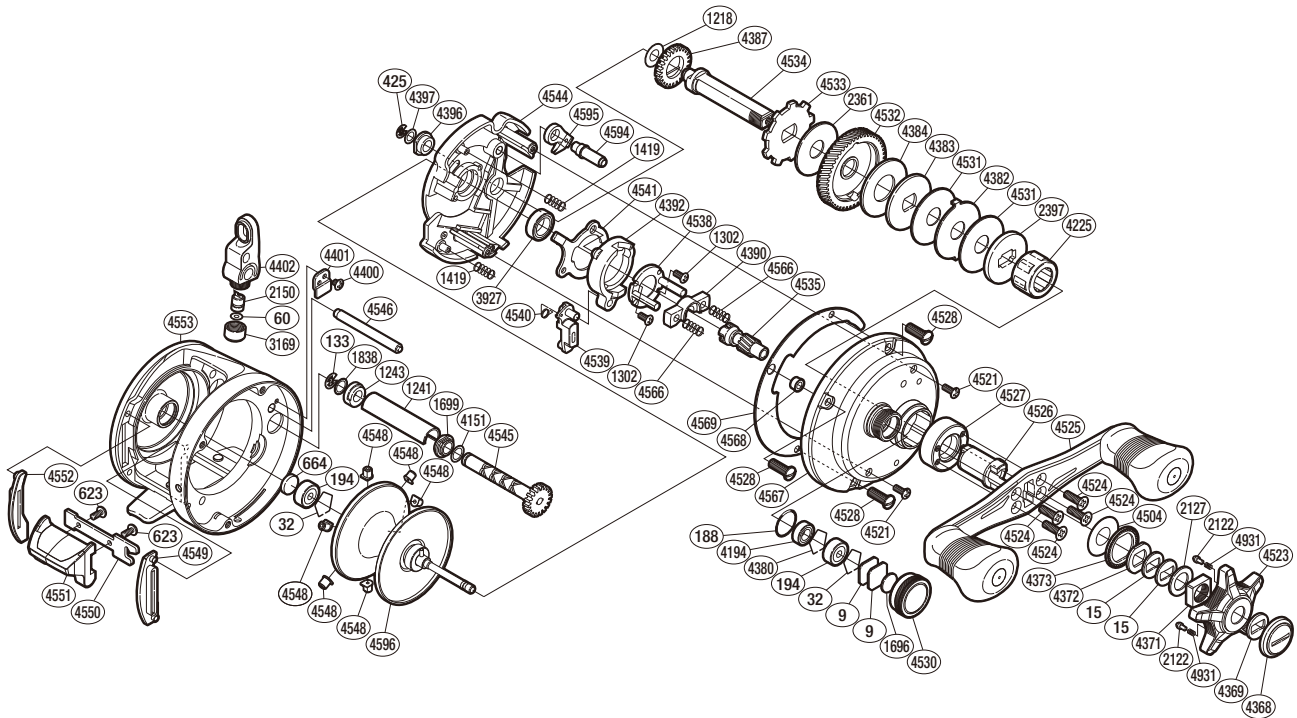


# SHIMANO

## CALCUTTA

### CT-300D



(51RH318300U)

#	Part No.	Description	#	Part No.	Description	#	Part No.	Description
9	105N0	Spacer	4225	10F3C	Roller Clutch Bearing	4531	109SQ	Drag Washer
15	10D60	Drag Spring Washer	4368	10A6Y	Handle Bolt	4532	10CRE	Drive Gear
32	10GEW	Bearing Retainer	4369	10C6E	Handle Lock Spring	4533	10D76	Anti-Reverse Ratchet
60	10CFW	Spacer	4371	10A0A	Star Drag Nut	4534	105CR	Drive Shaft
133	105NJ	E Lock	4372	107QE	Drive Shaft Shield	4535	10CTX	Pinion Gear
188	109EB	O Ring	4373	10J20	Star Drag Click Plate	4538	10F42	Clutch Cam Retainer
194	105BX	Ball Bearing	4380	1057X	Retainer	4539	105ZS	Clutch Pawl
425	105NE	E Lock	4382	10LB8	Eared Washer	4540	104CS	Clutch Pawl Spring
623	103C0	Screw	4383	10KZV	Key Washer	4541	10QLM	Clutch Plate
664	1057S	Spacer B	4384	10CKQ	Drag Washer	4544	10Q33	Set Plate
1218	105MY	Spacer	4387	10J70	Idle Gear	4545	10KKL	Worm Shaft
1241	10NJM	Level Wind Guard	4390	1046S	Yoke	4546	10GUM	Level Wind Guide
1243	104SX	Worm Bushing B	4392	10KSB	Clutch Cam	4548	10CMP	Brake Collar
1302	103N8	Screw	4396	10BPD	Drive Shaft Bushing	4549	1097C	Clutch Bar Guide B
1419	104BM	Spring	4397	10GCZ	Washer	4550	10AYG	Clutch Plate B
1696	10896	Cast Control Spacer	4400	10MP8	Screw	4551	10CGH	Quick-Fire II Clutch Bar
1699	10NDN	Worm Bushing A	4401	10FTC	Worm Bushing Retainer	4552	10ASS	Clutch Bar Guide A
1838	10D66	Spacer	4402	10NYP	Line Guide	4553	10JNG	One-Piece Frame
2122	10BT0	Click Pin	4504	10GF8	Washer	4566	104BE	Yoke Spring
2127	10J1N	Star Drag Spacer	4521	10MQ1	Screw	4567	10J30	Right Side Plate
2150	10FFX	Line Guide Pawl	4523	10AX7	Star Drag	4568	10C41	Screw Collar
2361	10CJC	Drag Washer	4524	10MLB	Screw	4569	108D1	Side Plate Support
2397	10D3V	Key Washer	4525	10CF4	Handle Assembly	4594	10PCY	Anti-Reverse Pawl Pin
3169	10FJG	Pawl Cap	4526	10BN0	Roller Clutch Inner Tube	4595	10MW1	Anti-Reverse Pawl
3927	10EX8	Ball Bearing	4527	10J52	Handle Plate	4596	10L41	Spool Assembly
4151	10G8D	Washer	4528	10A6X	Screw	4931	10988	Click Spring
4194	105BP	Ball Bearing	4530	10KDW	Cast Control Cap			

Please note that the number of adjusting washers may not be the same as shown in the exploded views.  
(Adjustment will vary with each individual product.)

(241120)\_002