

Assembly Guide



Bush
FURNITURE

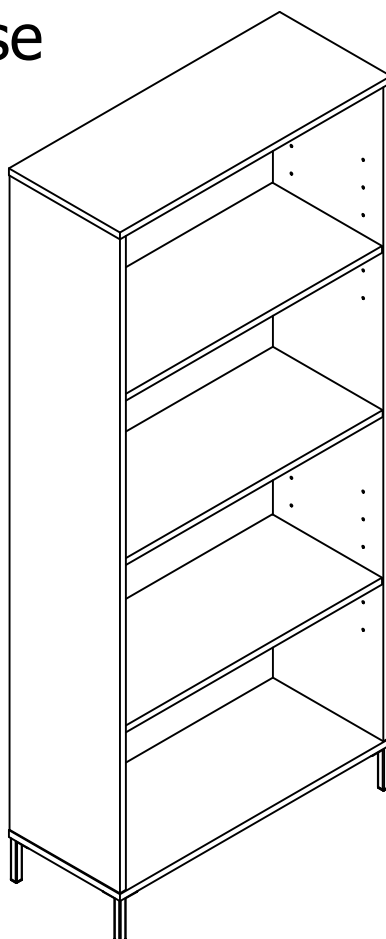


If you're having any difficulty during assembly of this product, don't hesitate to call us at **1-800-950-4782.**

Our customer service experts are trained to provide step-by-step instruction and can easily replace any missing or damaged parts.

Representatives are available Monday-Friday from 8:30 a.m. to 7:30 p.m. (ET)

4 Shelf Bookcase



Lot Code #

Instruction Sheet Number A219245

Keep manual for future reference.

For best results, keep these tips in mind:

- ① We know you want to finish this assembly as quickly as possible, but trust us: you'll have a better experience if you take it one step at a time.
- ② Give yourself some room to work near where you want the fully assembled product.
- ③ If your floor isn't carpeted, assemble this product on the empty carton to avoid scratching.
- ④ Do you have a friend who owes you a favor? Some steps may go a little easier with a second set of hands.

DOs

- ✔ Use a #2 Phillips head screwdriver (or other handheld tools as indicated)
- ✔ Wear safety glasses at all times during assembly
- ✔ Carefully follow the instructions in this guide and complete all steps in order
- ✔ Give us a call if you're having trouble with a particularly tricky step

DON'Ts

- ✘ We know power tools are quick and easy, but you shouldn't use them when assembling this product (unless otherwise specified)
- ✘ Never move your furniture with items inside or resting on the surface
- ✘ Do not attempt to use this product before all steps have been completed

Watch assembly videos right on your phone or computer!



Some steps include QR codes that link to helpful videos. Watch out for the icon below! Simply open up your smartphone camera to scan the code.

(Users of older smartphones may need to install a QR Reader.)

SCAN HERE



FOR VIDEOS

Or visit <https://bushfurniture.com/help-faq/#assembling>



IMPORTANT SAFETY INFORMATION



PLEASE READ WARNINGS

Improper use can cause safety hazards, or damage to your furniture and household items.

Warning	Do	Don't	Why it's important
Serious injury may occur.	<ul style="list-style-type: none">Assemble following all instructions using all indicated parts and hardware provided.Install tip-over restraint provided.Install every indicated nail and/or screw.Verify furniture is stable on it's own.Place heaviest items in the lower drawers.Remove items that might tempt kids to climb, such as toys and remote controls from the top and upper shelves of furniture.	<ul style="list-style-type: none">Do not move unit when loaded.Do not load with a television or other heavy equipment.Do not exceed the maximum load limits stated in the instructions.Do not allow children to stand, climb, or hang on furniture.	Improper assembly, use or loading can lead to product instability, tipover, or collapse.

Advertencia	Hacer	No	Por qué es importante
Pueden producirse lesiones graves.	<ul style="list-style-type: none">Realice el montaje siguiendo todas las instrucciones y utilizando todas las piezas indicadas y los herrajes suministrados.Instale el sistema de retención antivuelco suministrado.Instale todos los clavos y/o tornillos indicados.Compruebe que el mueble sea estable por sí mismo.Coloque los objetos más pesados en los cajones inferiores.Retire los objetos que puedan tentar a los niños a trepar, como juguetes y mandos a distancia, de los estantes superiores y superiores del mueble.	<ul style="list-style-type: none">No mueva la unidad cuando esté cargada.No cargue el mueble con un televisor u otro equipo pesado.No supere los límites máximos de carga indicados en las instrucciones.No permita que los niños se pongan de pie, trepen o se cuelguen de los muebles.	El montaje, uso o carga inadecuados pueden provocar inestabilidad, vuelco o colapso del producto.

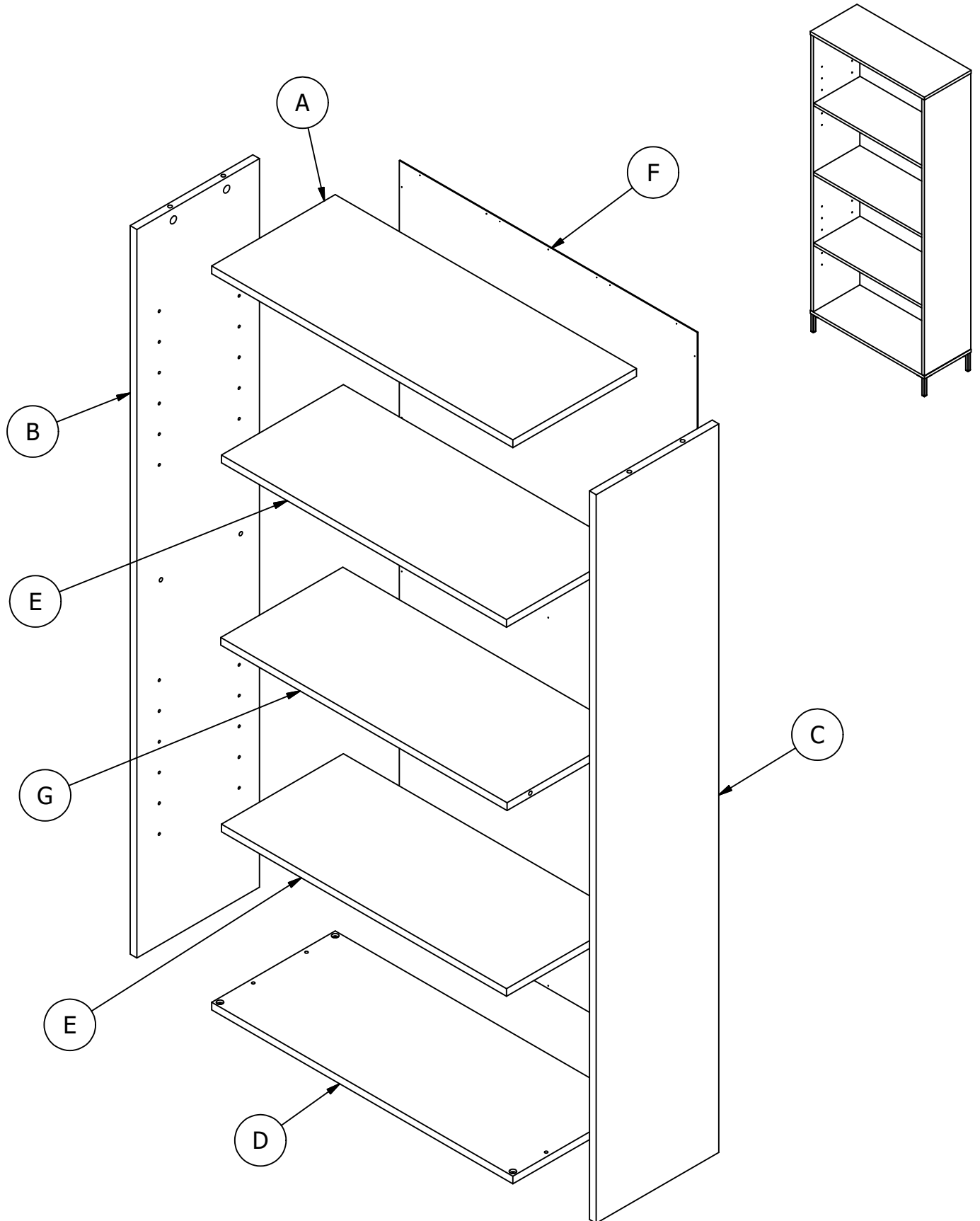
IMPORTANT SAFETY INFORMATION



PLEASE READ WARNINGS

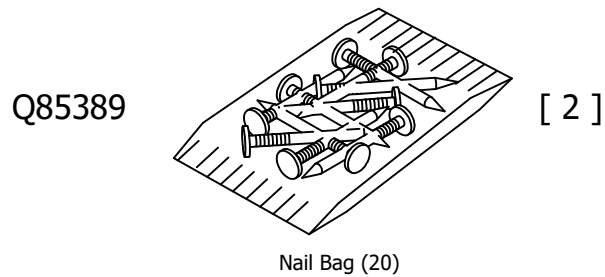
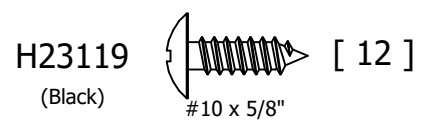
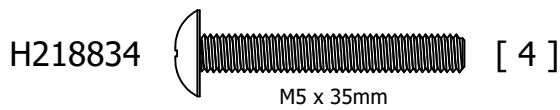
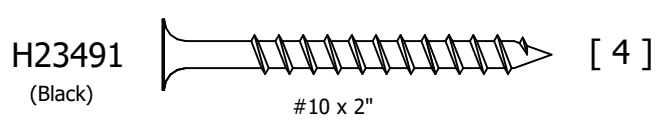
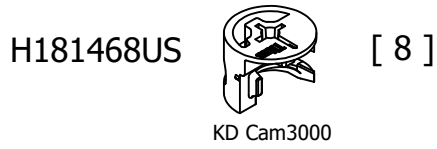
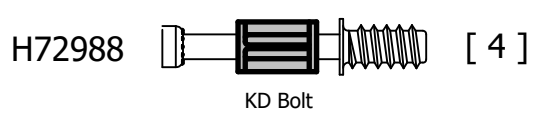
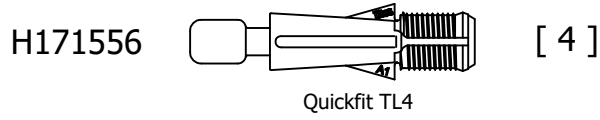
Improper use can cause safety hazards, or damage to your furniture and household items.

Avertissement	À faire	À ne pas faire	Pourquoi c'est important
Peut entraîner des blessures graves.	<ul style="list-style-type: none">• Assembler en suivant toutes les instructions et en utilisant toutes les pièces et la quincaillerie incluses.• Installer le matériel de fixation mural inclus.• Installer tous les clous et/ou toutes les vis.• Assurez-vous que le meuble soit stable par lui-même.• Placer les objets les plus lourds dans les tiroirs du bas.• Retirer les objets qui pourraient inciter les enfants à grimper comme les jouets et les télécommandes des tablettes supérieures et du dessus du meuble.	<ul style="list-style-type: none">• Ne pas déplacer le meuble lorsqu'il est chargé.• Ne pas charger le meuble avec un téléviseur ou tout autre équipement lourd.• Ne pas dépasser les limites de poids maximales indiquées dans les instructions.• Ne pas laisser les enfants se tenir sur les meubles, y grimper ou s'y suspendre.	Un assemblage, une utilisation ou un chargement incorrects peuvent entraîner l'instabilité, le basculement ou l'effondrement du produit.



Have an assembly question or need a replacement part? Just call
1-800-950-4782, we are here to help.

Fasteners are shown actual size.



Have an assembly question or need a replacement part? Just call **1-800-950-4782**, we are here to help.

Hardware not to scale.

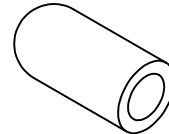
H23604



Shelf Pin

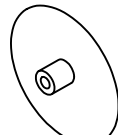
[8]

H126396



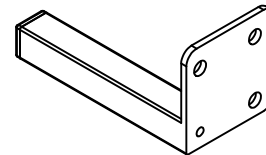
Shelf Pin Sleeve

[8]



Cover Cap

[4]



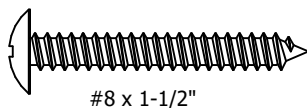
Foot

[4]

TIPOVER RESTRAINT HARDWARE

SUGERENCIA SOBRE HARDWARE DE RETENCIÓN
MATÉRIEL DE RETENUE SUR LE SUPPORT

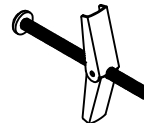
H107572



#8 x 1-1/2"

[1]

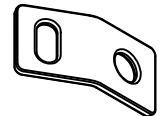
H181419



Toggle Bolt

[1]

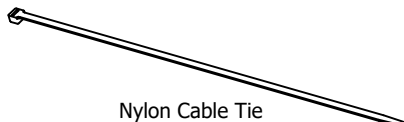
H181412



Connecting Plate

[2]

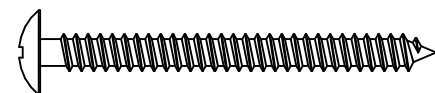
H181411



Nylon Cable Tie

[1]

H181434



#10 x 2"

[1]

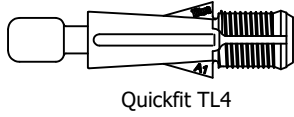
Have an assembly question or need a replacement part? Just call
1-800-950-4782, we are here to help.

STEP 1

Prepare Panels

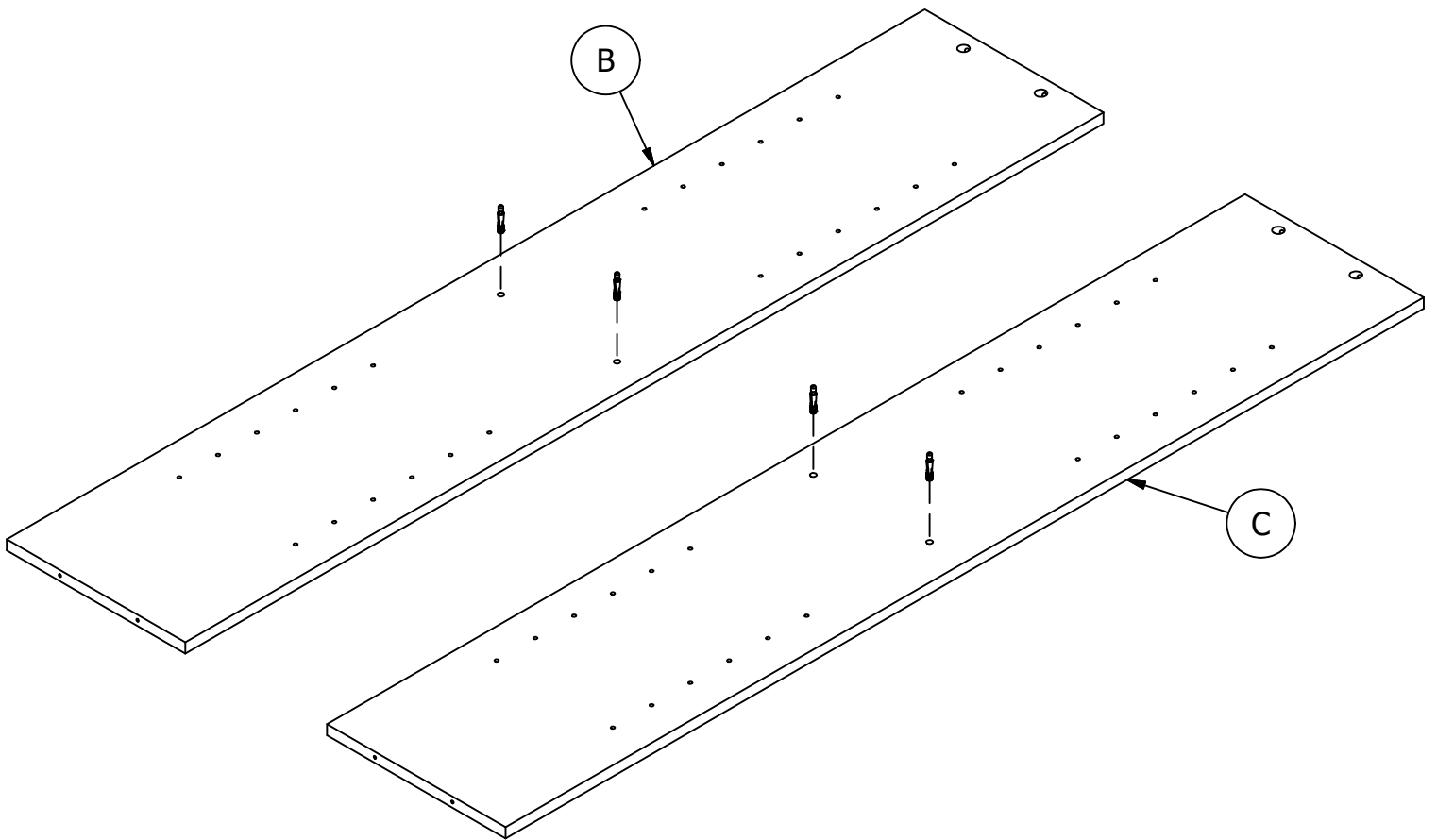
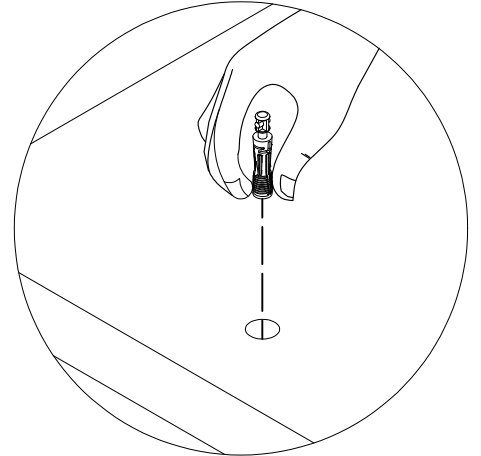
A219245

H171556



[4]

Quickfit TL4



Have an assembly question or need a replacement part? Just call
1-800-950-4782, we are here to help.

STEP 2

Assemble Panels

A219245

Scan QR Code to
Watch Video on:

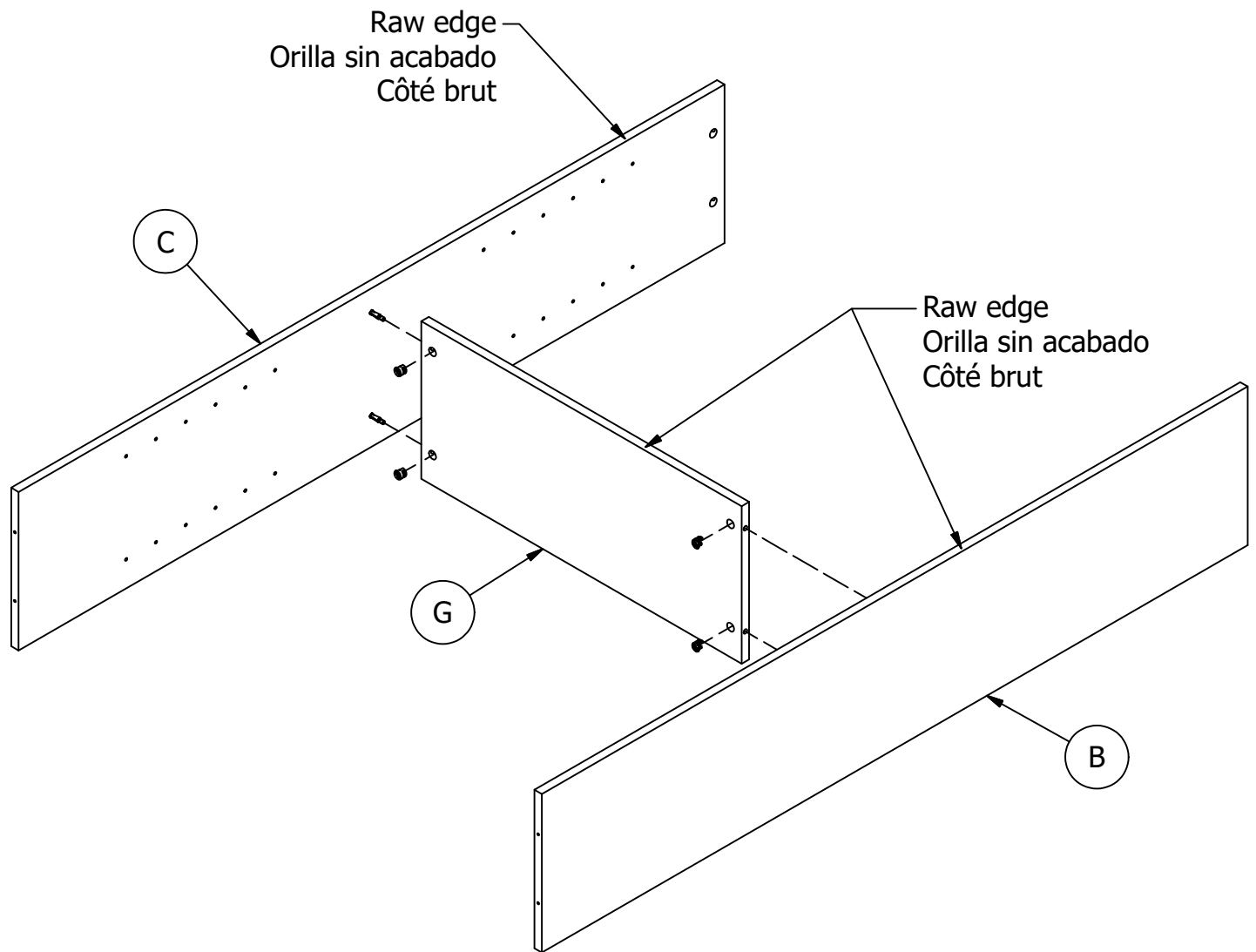
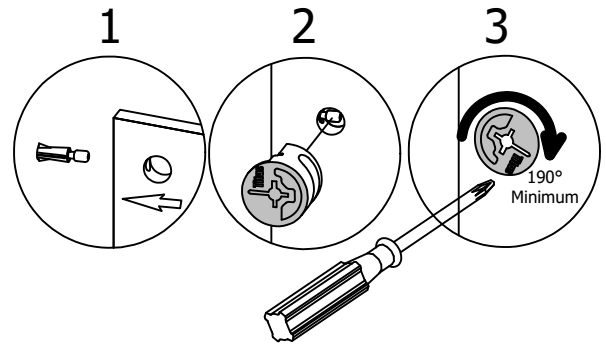


How to Tighten
KD Cams

H181468US



[4]



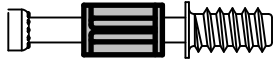
Have an assembly question or need a replacement part? Just call
1-800-950-4782, we are here to help.

STEP 3

Prepare Panel

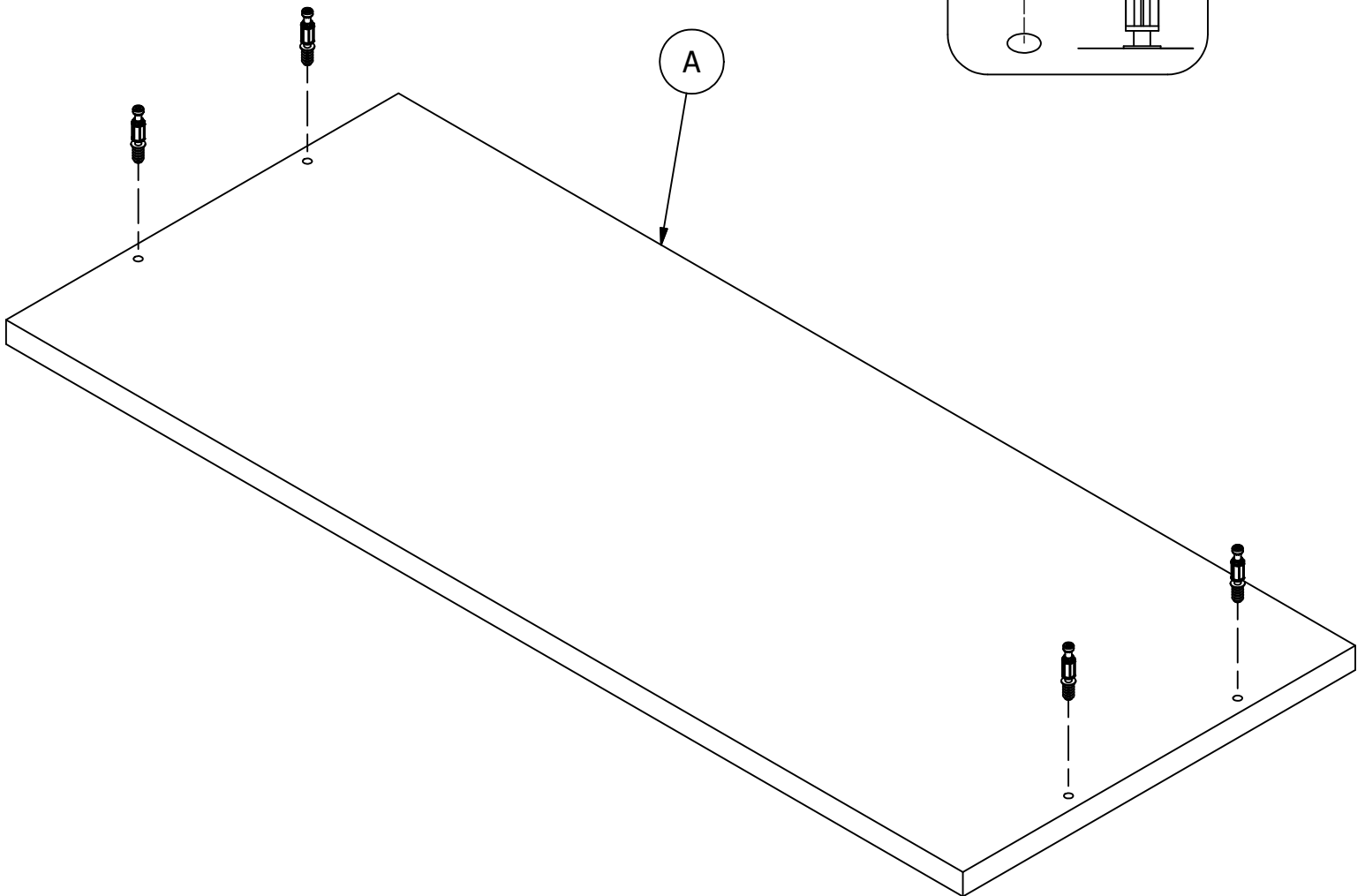
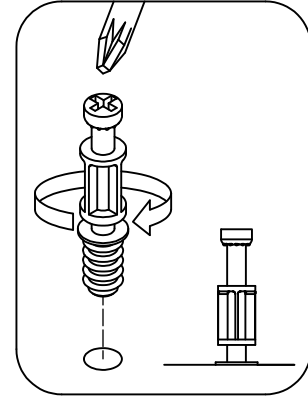
A219245

H72988



[4]

KD Bolt



Have an assembly question or need a replacement part? Just call
1-800-950-4782, we are here to help.

STEP 4

Assemble Panels

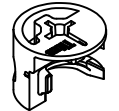
A219245

Scan QR Code to Watch Video on:



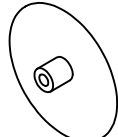
How to Tighten KD Cams

H181468US



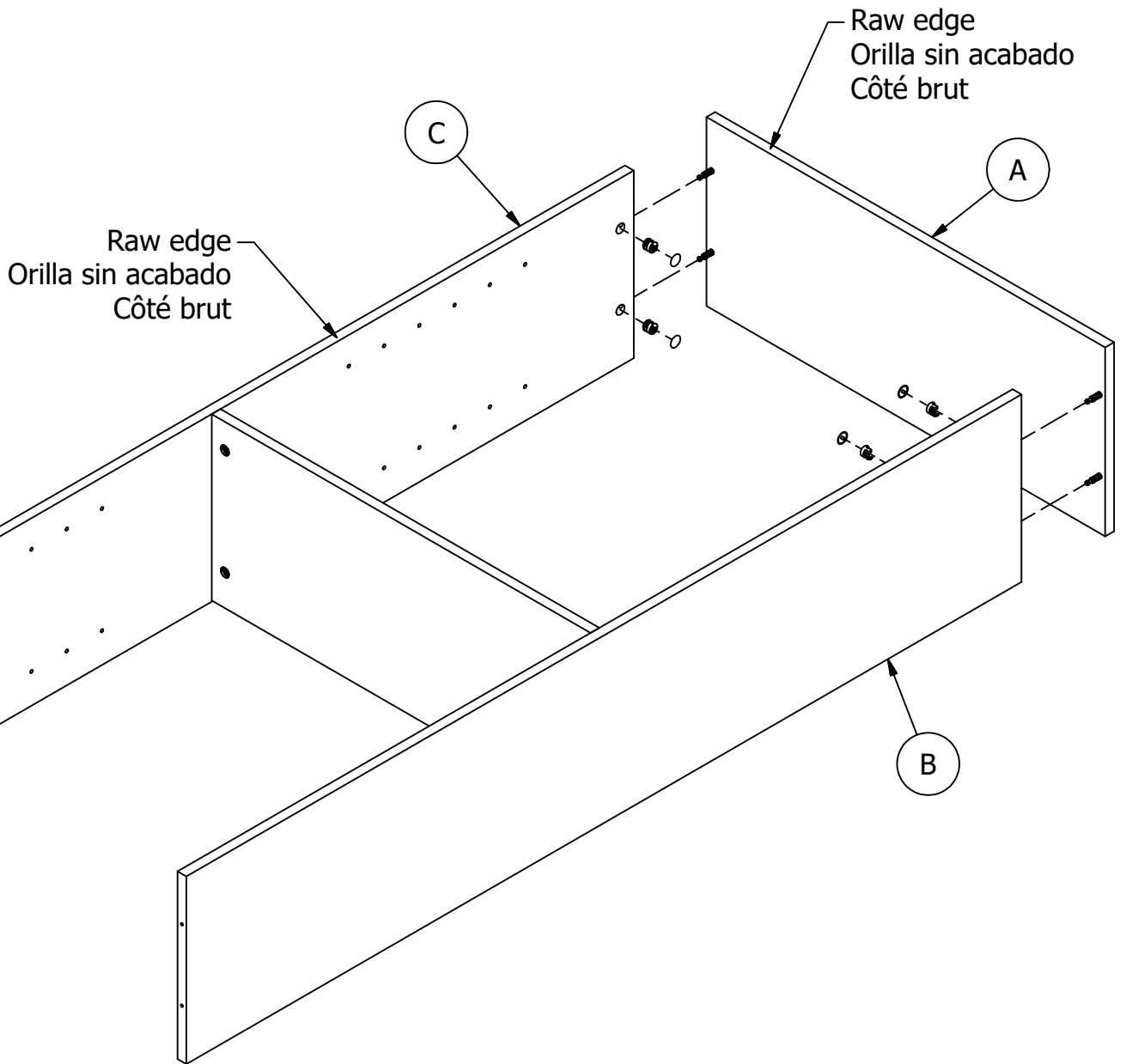
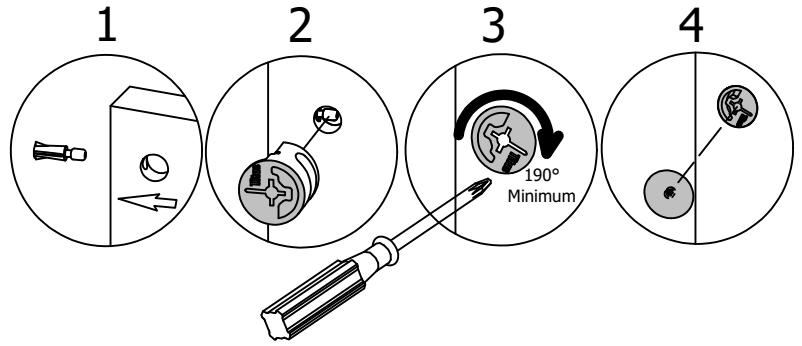
KD Cam3000

[4]



Cover Cap

[4]



Have an assembly question or need a replacement part? Just call **1-800-950-4782**, we are here to help.

STEP 5

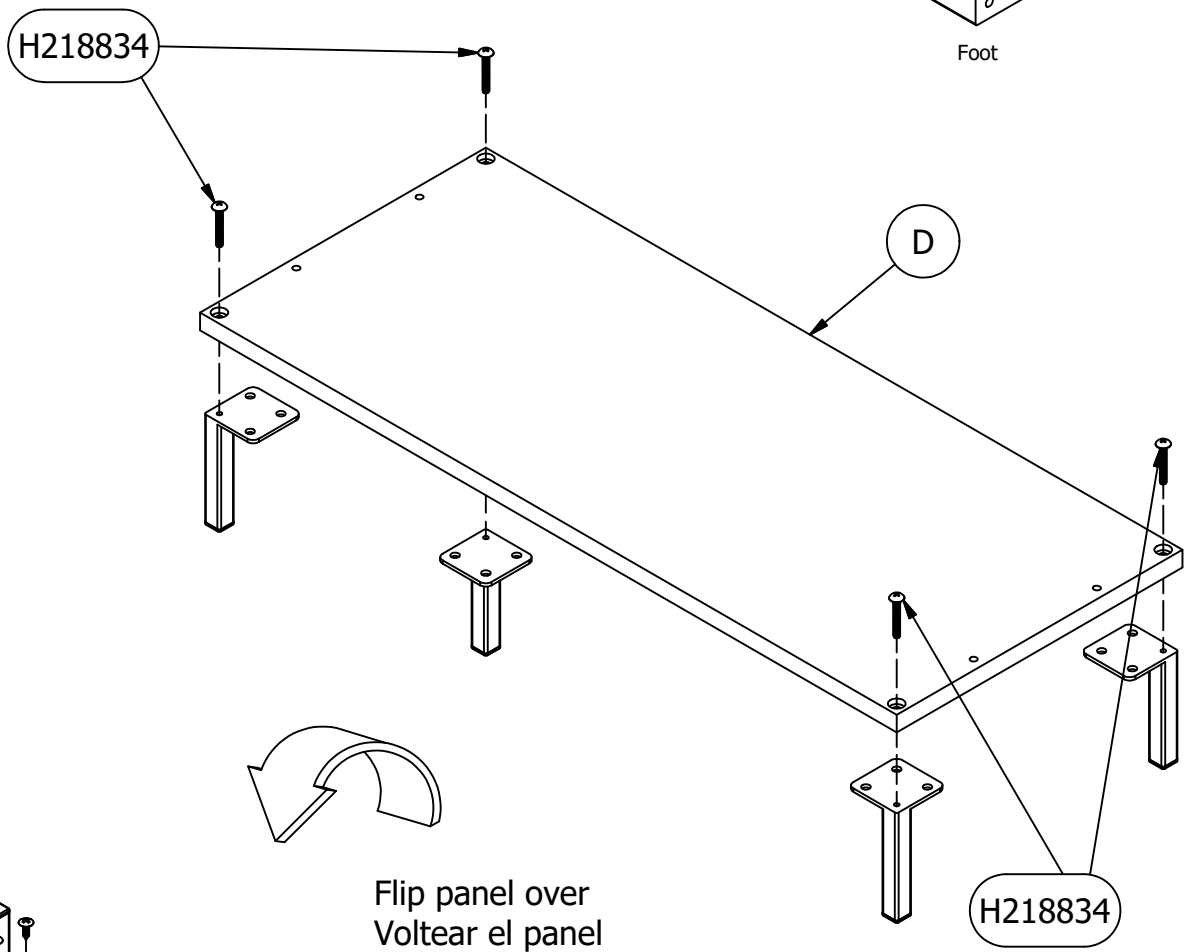
Prepare Panel

A219245

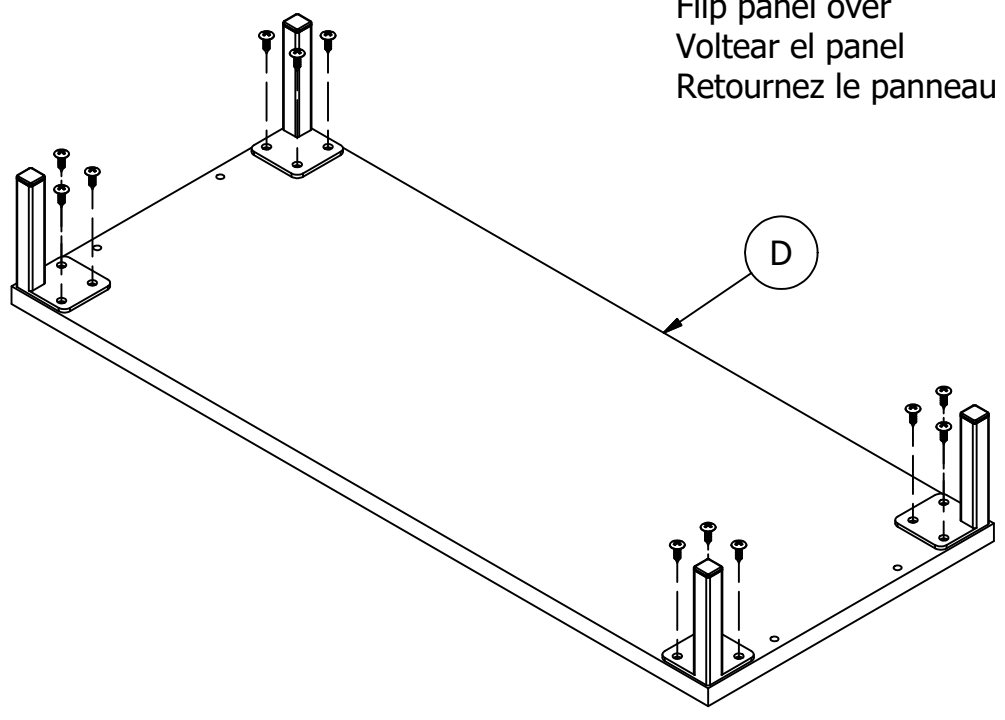
H218834 [4]
M5 x 35mm

H23119 [12]
(Black)
#10 x 5/8"

[4]
Foot



Flip panel over
Voltear el panel
Retournez le panneau



Have an assembly question or need a replacement part? Just call
1-800-950-4782, we are here to help.

STEP 6

Assemble Panels

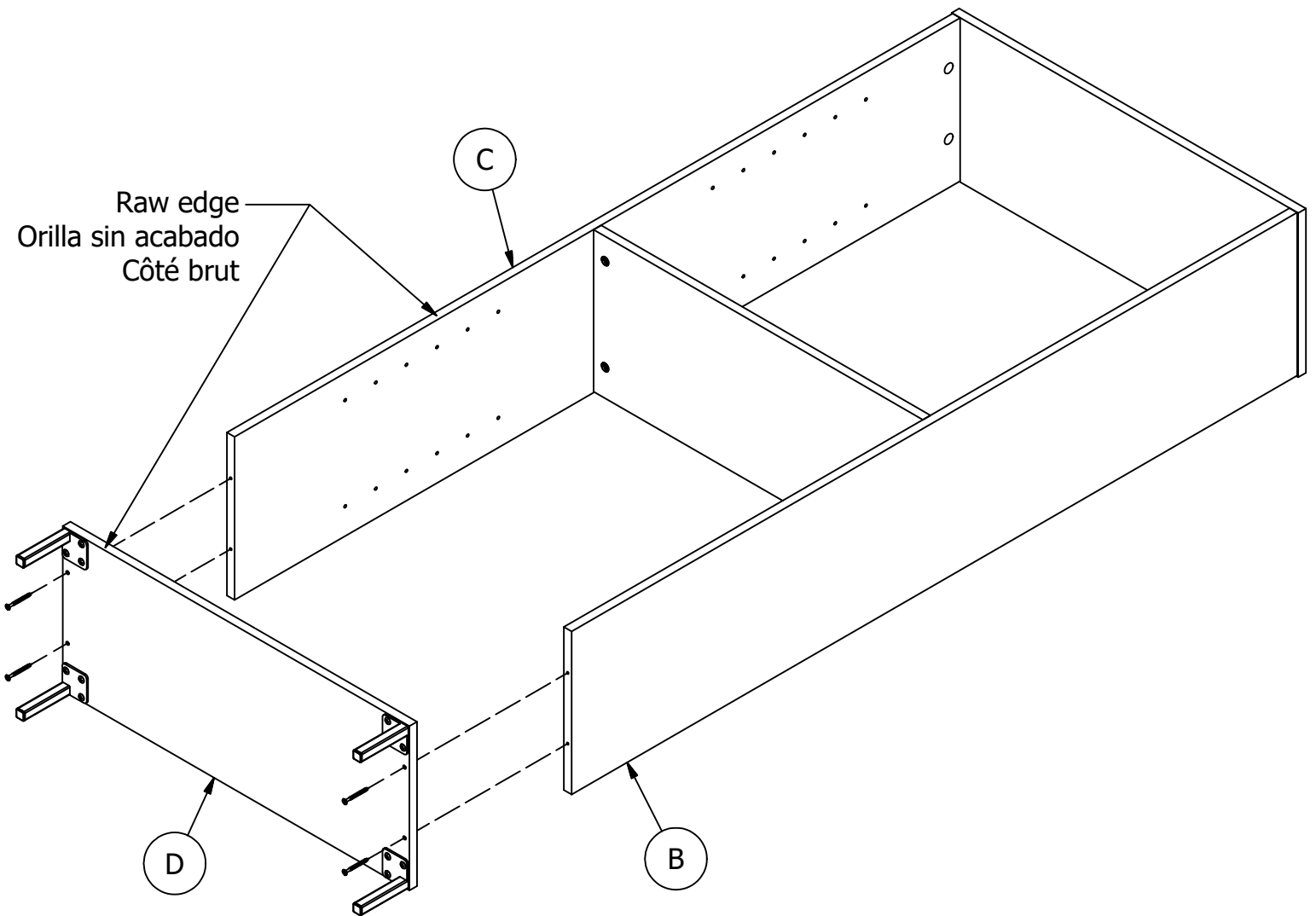
A219245

H23491
(Black)



[4]

#10 x 2"

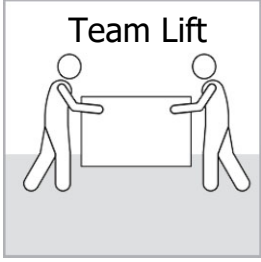


Have an assembly question or need a replacement part? Just call
1-800-950-4782, we are here to help.

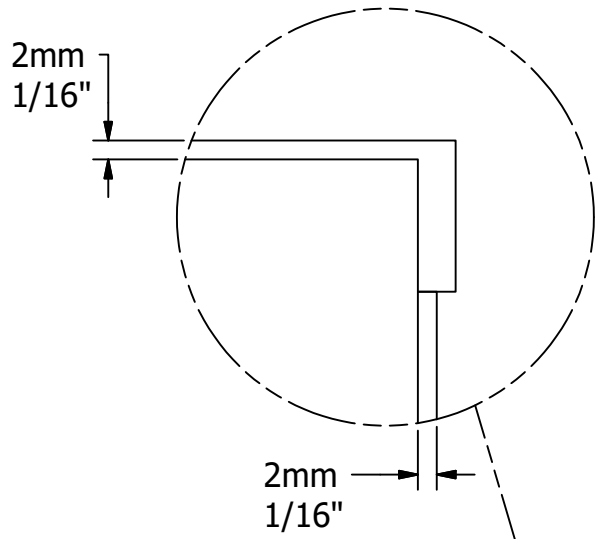
STEP 7

Attach Panel

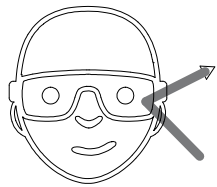
A219245



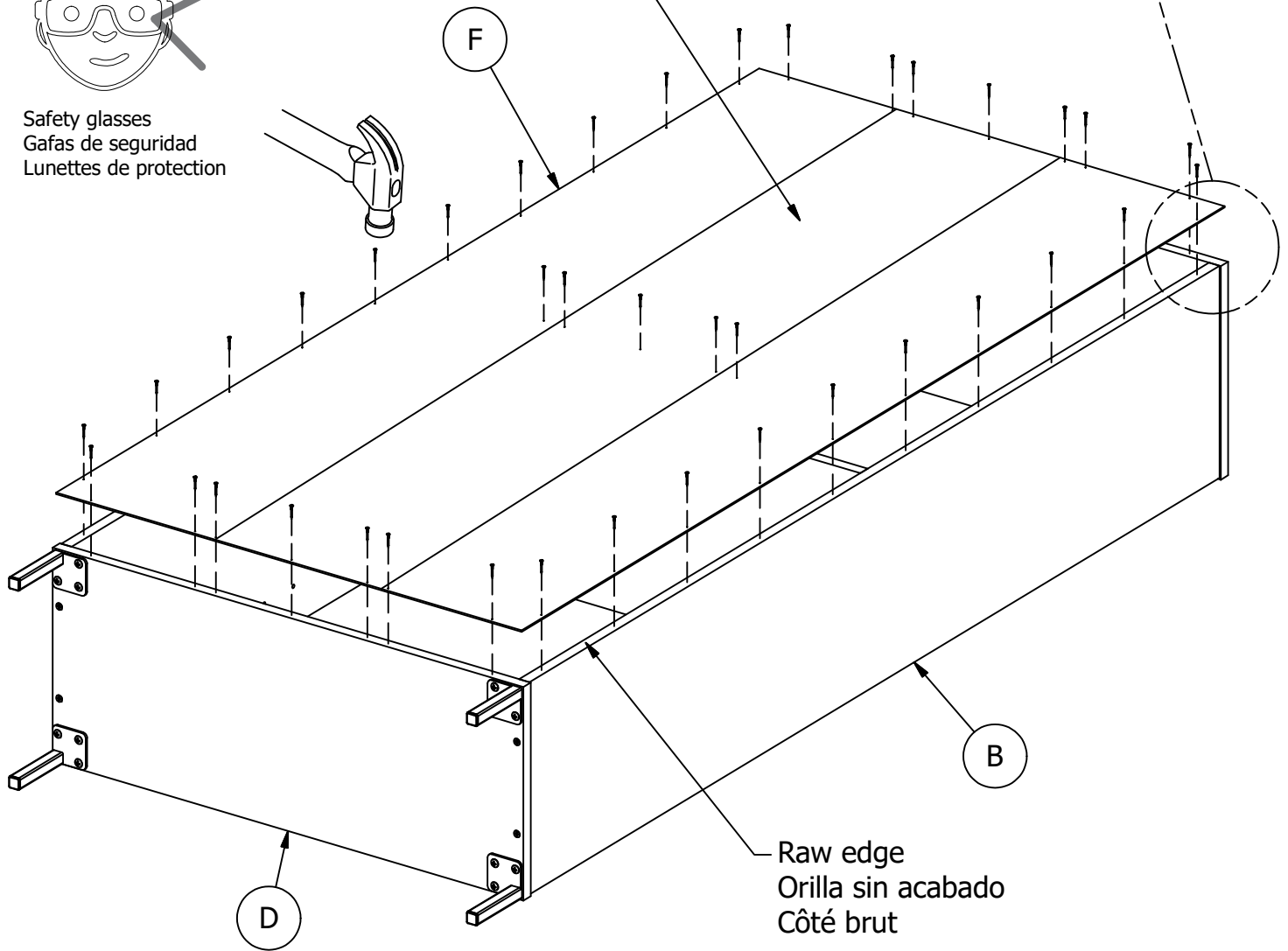
H34174 [39]
Nail 19mm



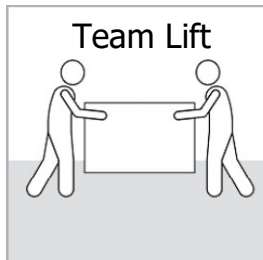
Grain to inside
Grano para el interior
Grain de l'intérieur



Safety glasses
Gafas de seguridad
Lunettes de protection



Have an assembly question or need a replacement part? Just call
1-800-950-4782, we are here to help.



Secure unit to the wall with a tip-over restraint.

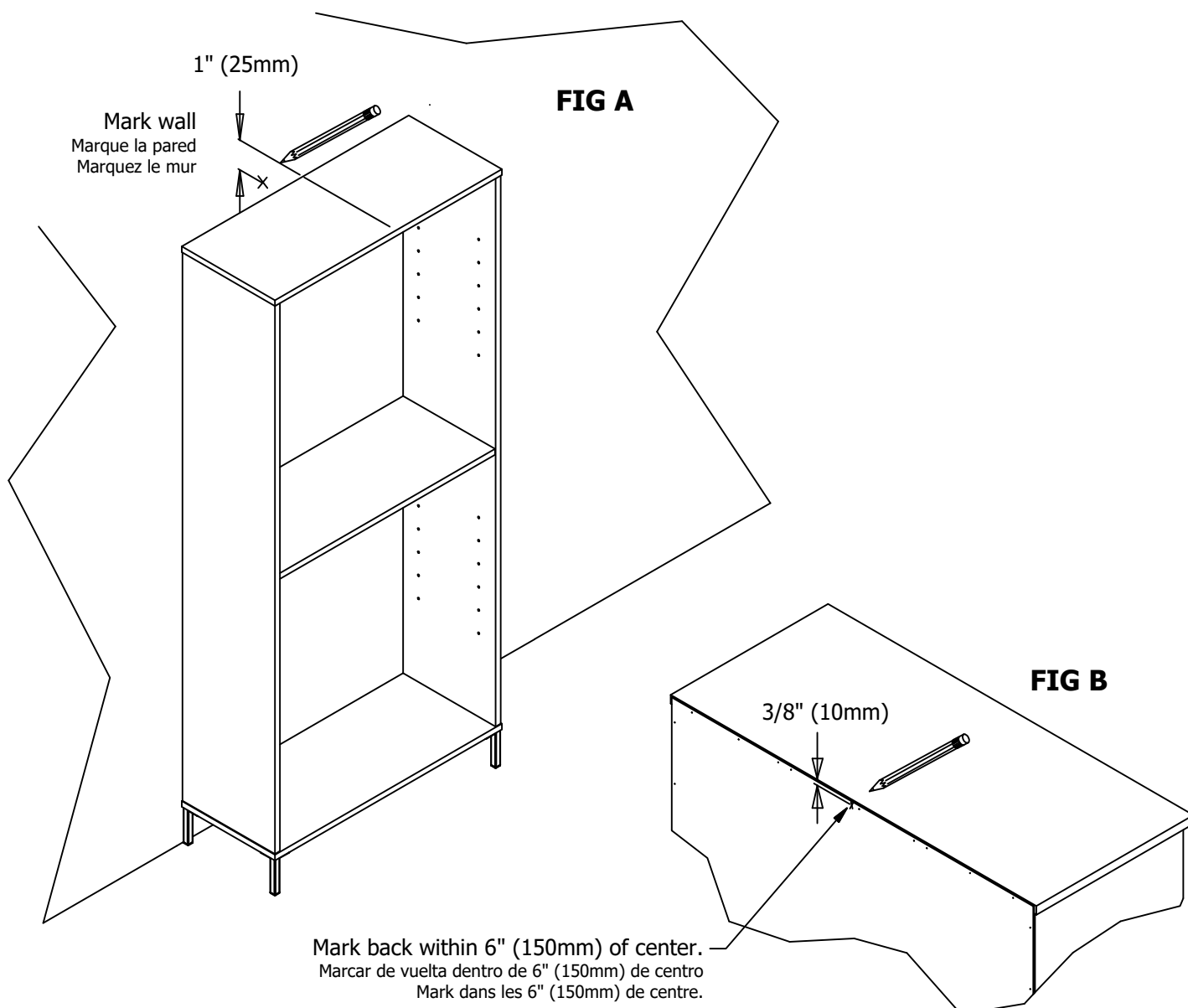
Unidad de seguro a la pared con un sistema de retención de un vuelco.

Fixer l'unité au mur avec un dispositif de retenue renversement.

1. Place unit in desired location.
2. Locate wall stud nearest unit center. **FIG A**
3. On wall, mark center of stud location 1" below top of unit. **FIG A**
4. If a wall stud cannot be located mark hollow wall at unit center. **FIG A**
5. On back of unit, mark corresponding location 3/8" below top of unit. **FIG B**

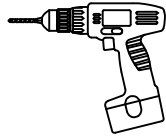
1. Coloque la unidad en el lugar deseado.
2. Localice pie derecho de pared centro de unidad más próxima.
3. En la pared del, marque el centro de la ubicación del montante 1 "abajo la parte superior de la unidad.
4. Si un poste de la pared no se puede localizar marcar pared hueca en el centro de la unidad.
5. En el dorso de la unidad, marque la ubicación 3/8 correspondiente abajo la parte superior de la unidad.

1. Placez l'unité à l'endroit désiré.
2. Localiser centre d'unité la plus proche de la paroi Stud.
3. Sur le mur, centre de emplacement du montant 1 "ci-dessous dessus de l'appareil de la marque.
4. Si un montant de mur ne peut pas être situé marquer mur creux au centre de l'unité.
5. Le dos de l'appareil, marquer l'emplacement 3/8 correspondant ci-dessous dessus de l'appareil.

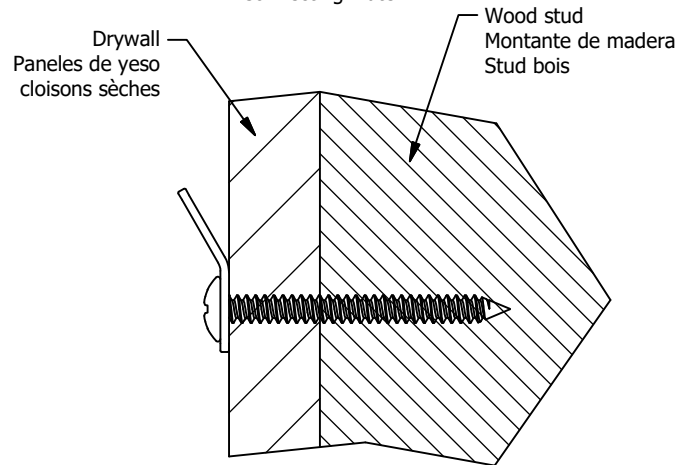
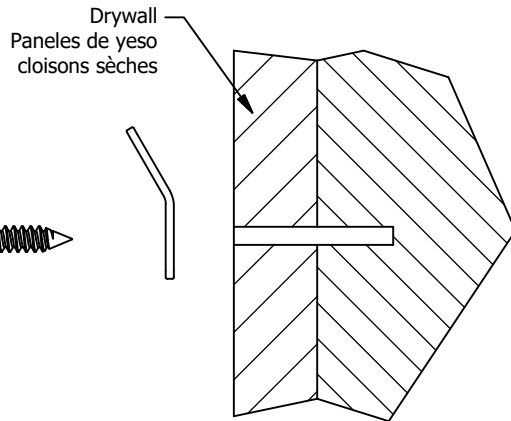
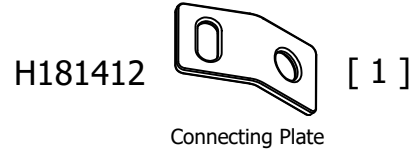
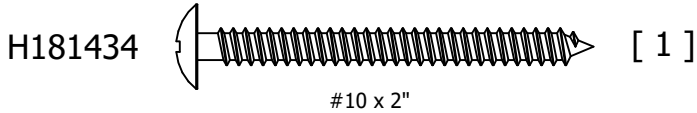


Have an assembly question or need a replacement part? Just call
1-800-950-4782, we are here to help.

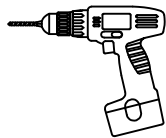
WALL STUD ATTACHMENT



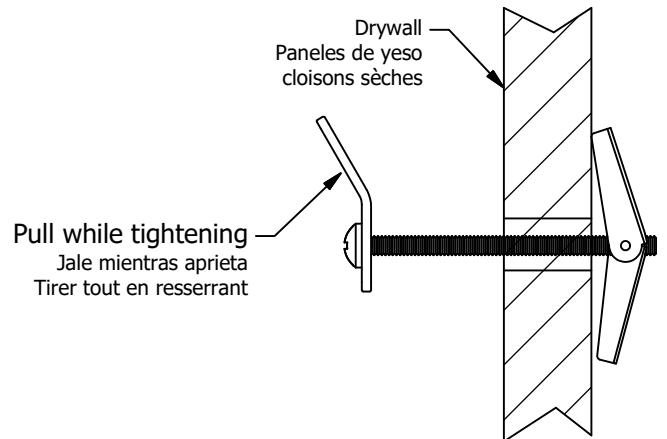
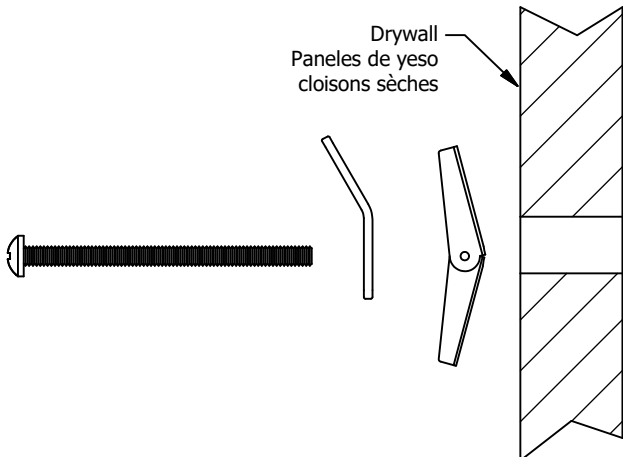
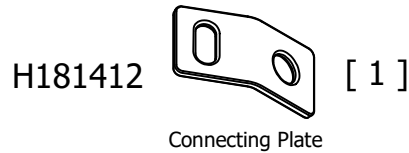
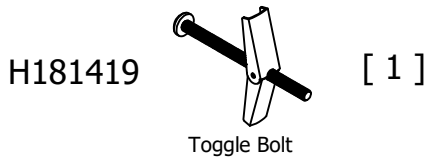
Drill 1/8" hole 2" deep at mark on wall.
 Taladro 1/8 "agujero 2" de profundidad en la marca en la pared.
 Percer 1/8 "trou de 2" de profondeur à la marque sur le mur.



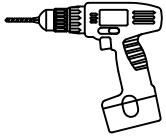
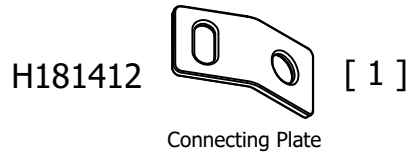
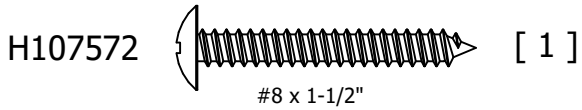
HOLLOW WALL ATTACHMENT



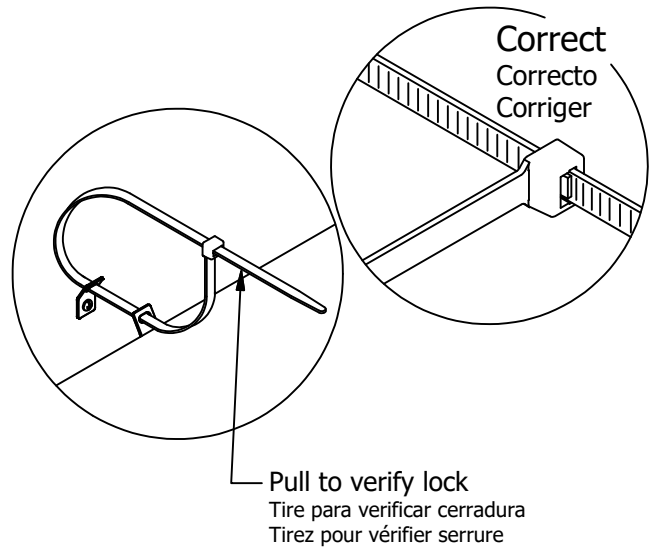
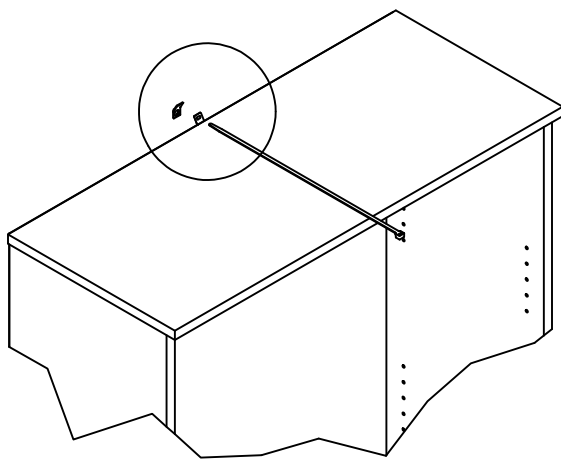
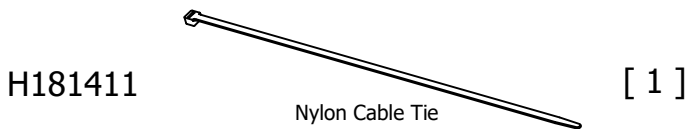
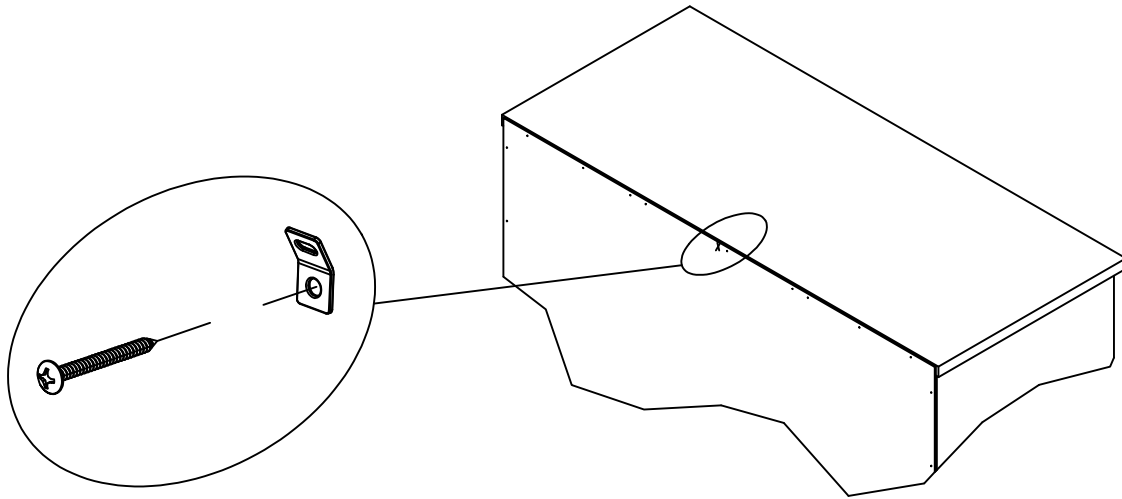
Drill 1/2" hole 1" deep at mark on wall.
 Taladro 1/2 "agujero 1" de profundidad en la marca en la pared.
 Percer 1/2 "trou de 1" de profondeur à la marque sur le mur.



Have an assembly question or need a replacement part? Just call
1-800-950-4782, we are here to help.



Drill 1/8" hole 1" deep at mark on unit.
Taladro 1/8 "agujero de 1" de profundidad en la marca de la unidad.
Perçer 1/8 "trou 1" de profondeur à la marque sur l'unité.



Use replacement cable tie with minimum breaking strength of 120lbs.
Utilice reemplazo emparte Cable con resistencia a la rotura mínima de 120 libras.
Utilisez remplacement Attache de câble avec une force de rupture minimale de 120 lbs.

Have an assembly question or need a replacement part? Just call
1-800-950-4782, we are here to help.

STEP 11

Insert Shelves

A219245

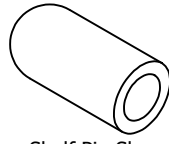
H23604



Shelf Pin

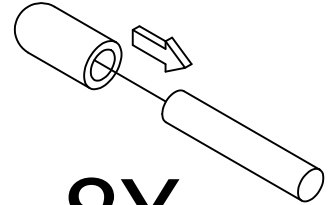
[8]

H126396

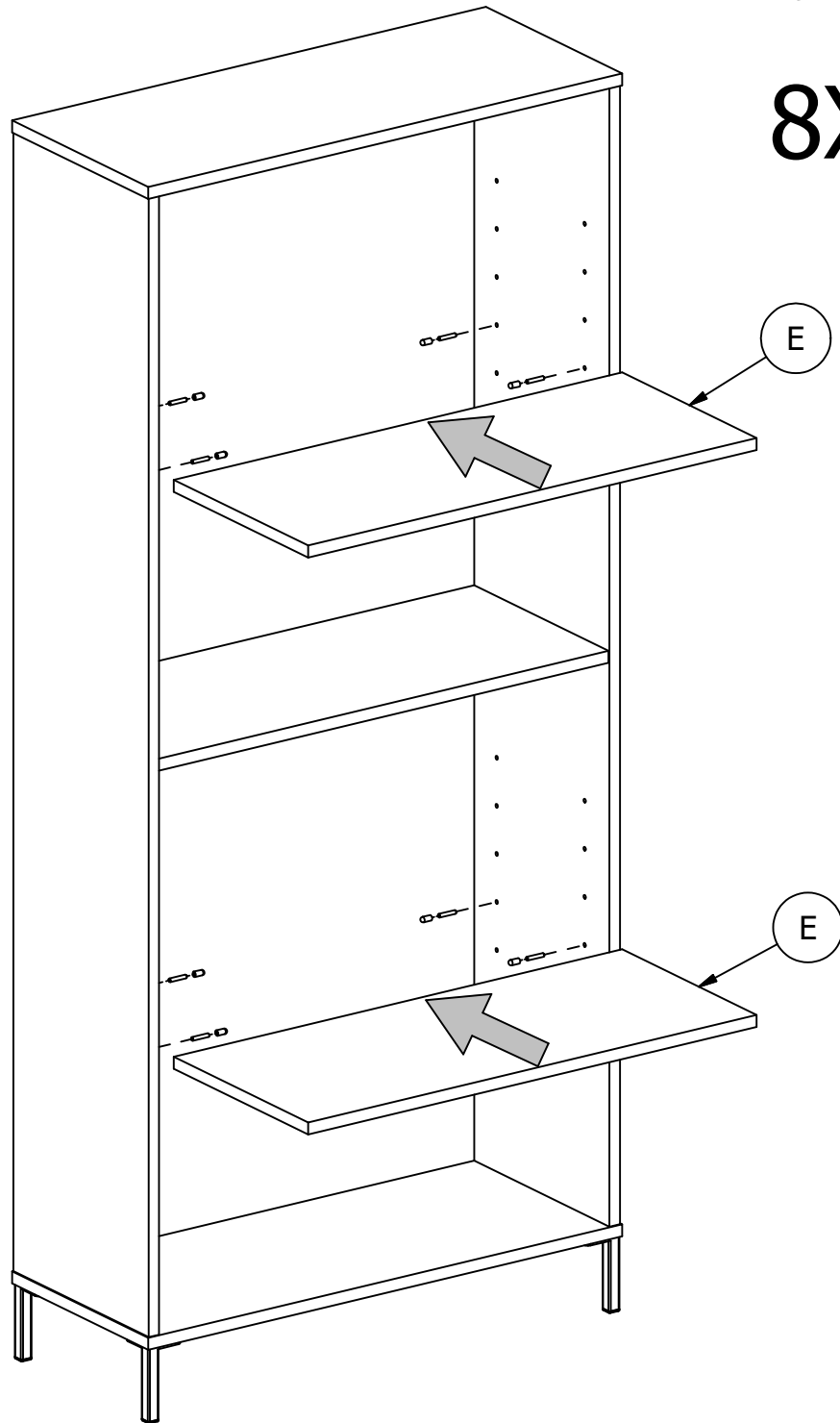


Shelf Pin Sleeve

[8]



8X



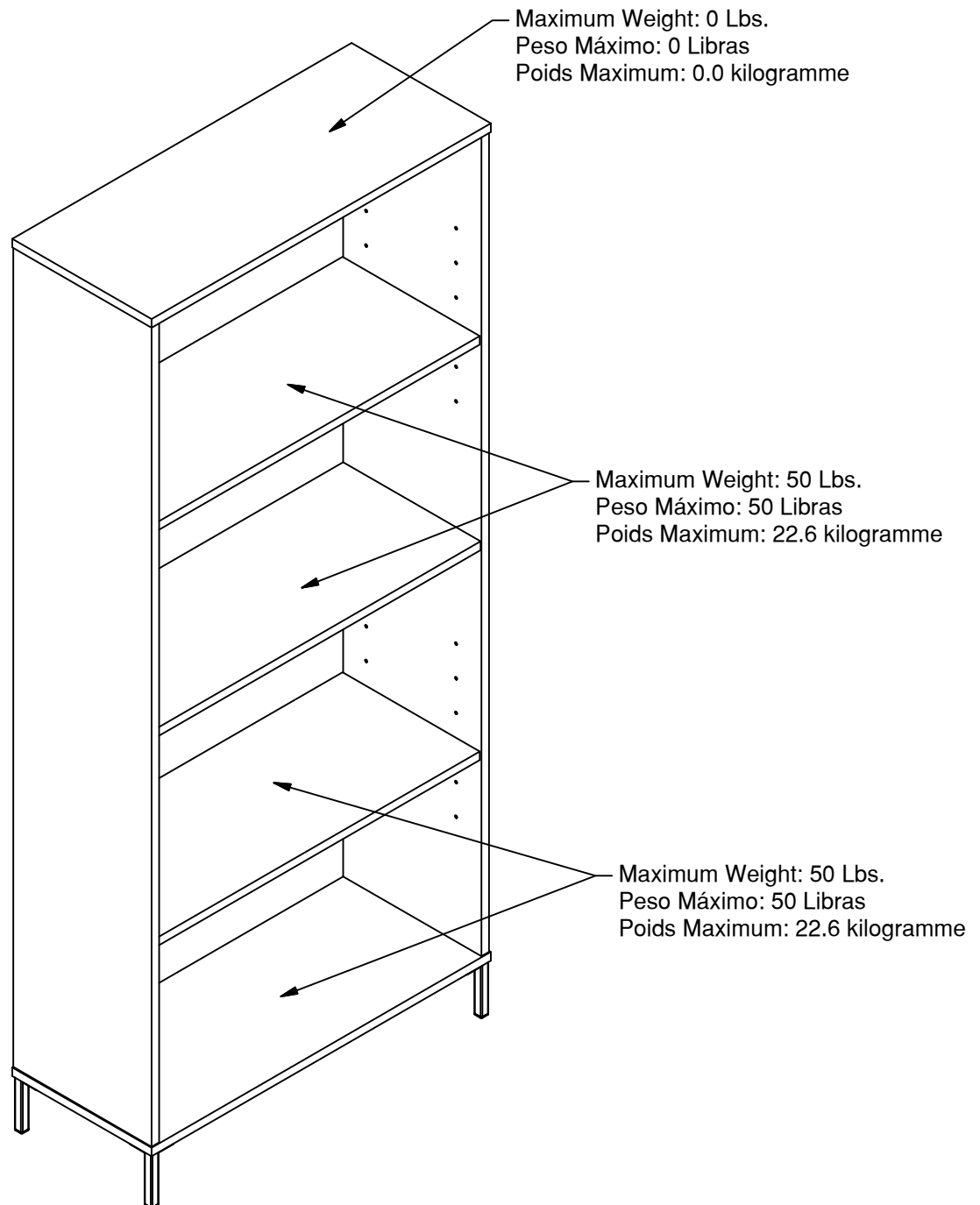
Have an assembly question or need a replacement part? Just call **1-800-950-4782**, we are here to help.

Scan QR Code to Watch Video on:



How to Clean the Surface

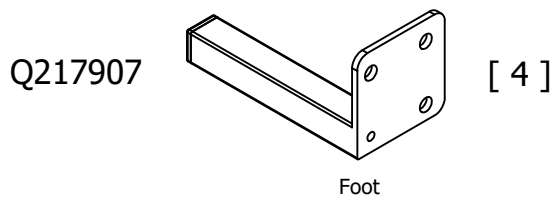
Gently clean surfaces with a damp sponge eraser.



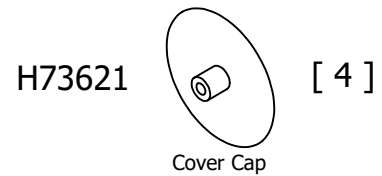
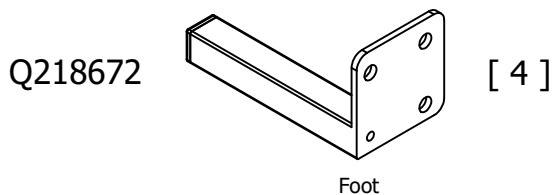
Congratulations! You are all done. If you have any questions or concerns, please call.

Have an assembly question or need a replacement part? Just call **1-800-950-4782**, we are here to help.

ESB129WH		
LABEL CODE	QTY	PART NUMBER
A	1	W219240
B	1	W219241
C	1	W219242
D	1	W219110
E	2	W219121
F	1	W219220
G	1	W219243



ESB129BL		
LABEL CODE	QTY	PART NUMBER
A	1	W219244
B	1	W219267
C	1	W219268
D	1	W219118
E	2	W219270
F	1	W219228
G	1	W219269



Have an assembly question or need a replacement part? Just call
1-800-950-4782, we are here to help.