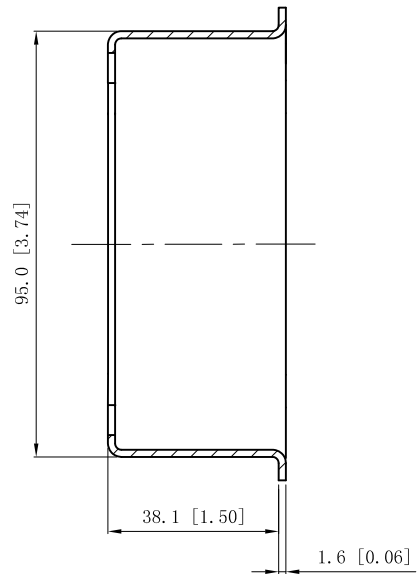
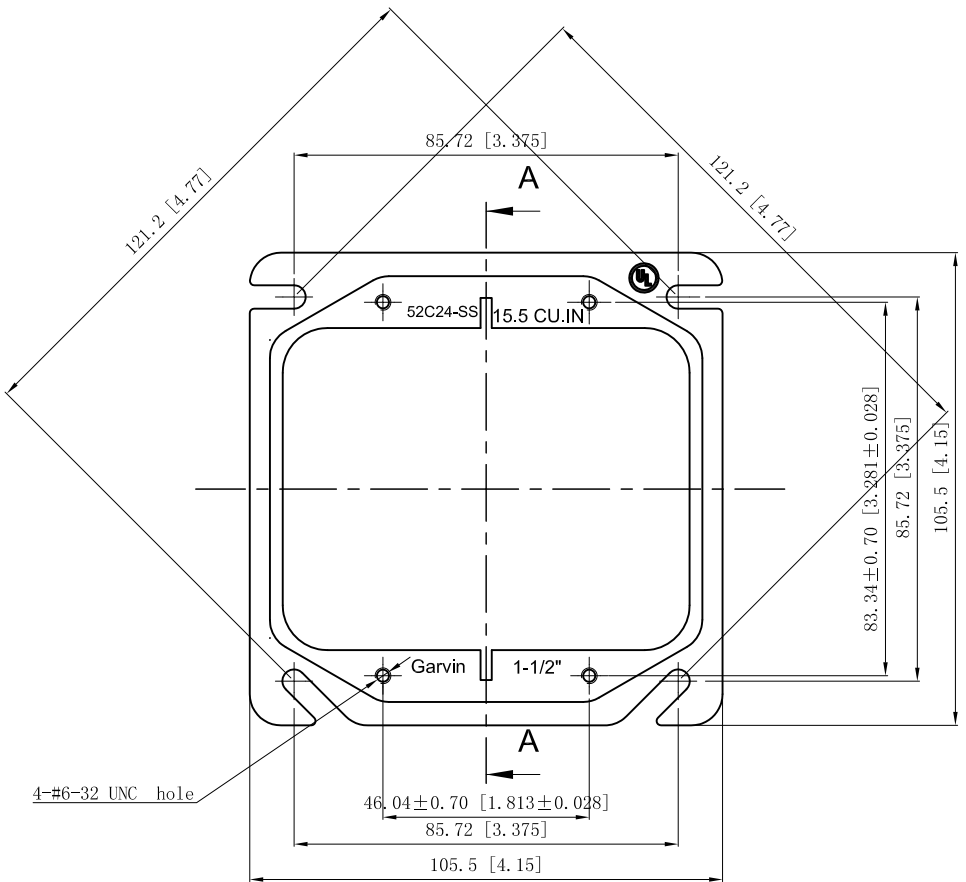


SIDES	BOTTOM

Material: 0.051"~0.059 - Stainless steel 316



CUTAWAY VIEW A-A



This data sheet is for reference only .GARVIN INDUSTRIES reserves the right to make changes to the design without prior notice.

DESCRIPTION
TRADE REFERENCE TERMS

STANDARD PACKING
25 PCS

<b>GARVIN INDUSTRIES</b>	
TITLE 4" SQUARE TWO-DEVICE TILE COVERS	
SIZE A4	DWG NO. 52C24-SS
DATA SHEET	
www.garvinindustries.com	

REV  
A