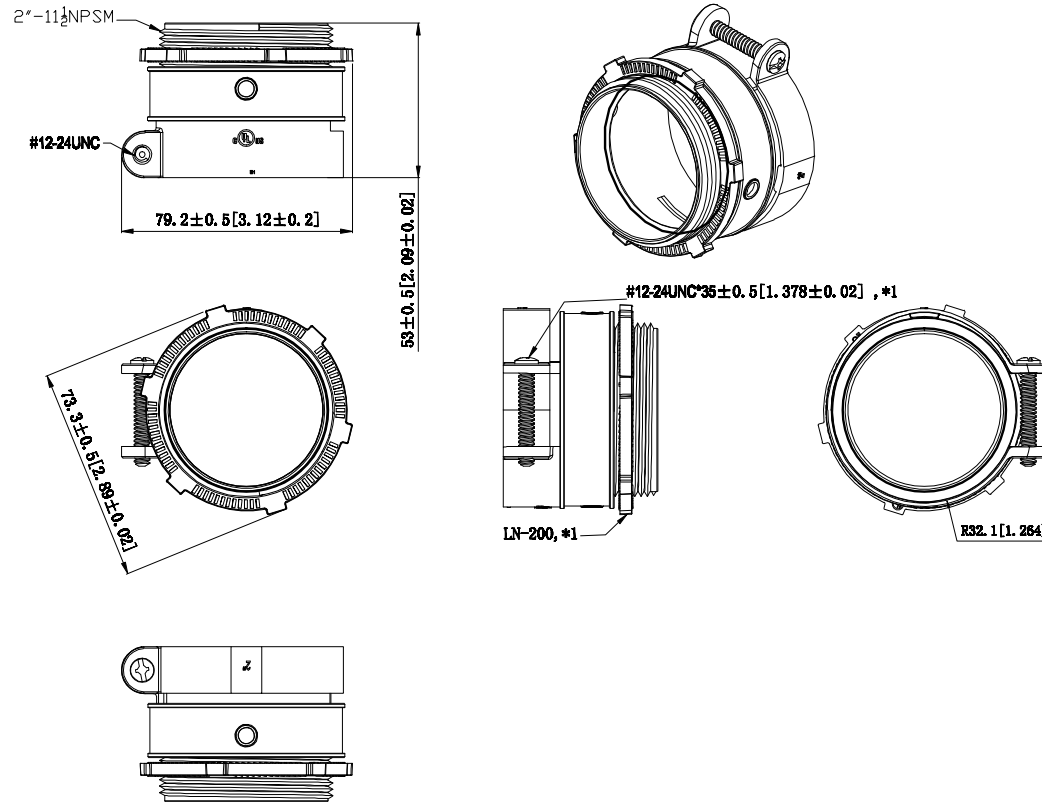
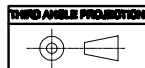


NO	P/N	Tooling	Working process Description
1	SQZ-200		

REVISIONS			
SYM.	BY.	REVISIONS	DATE
A.			



**NOTES:**  
 1.All dimensions in millimeters and [Inches];  
 2.Free of sharp edge and burrs.max burr 0.5[0.0196].  
 3.Material: #3 ZAMAK



DIMENSIONS SPECIFIED UNLESS NOTED OTHERWISE MILLIMETERS ARE TO BE USED DIMENSIONS ARE: X.X ± 0.25[±0.01] X.XX ± 0.13[±0.005] X.XXX ± 0.08[±0.003]	DATE	2014.01.08	<b>GARVIN INDUSTRIES</b> TITLE <b>ELECTRICAL TRADE WASHERS</b>
	DRAWN CHECKED APPROVED (A) APPROVED (Customer)	NAME DATE	
MATERIAL <b>#3 ZAMAK</b>	FINISH	SCALE 1:1	SHEET 1 OF 1