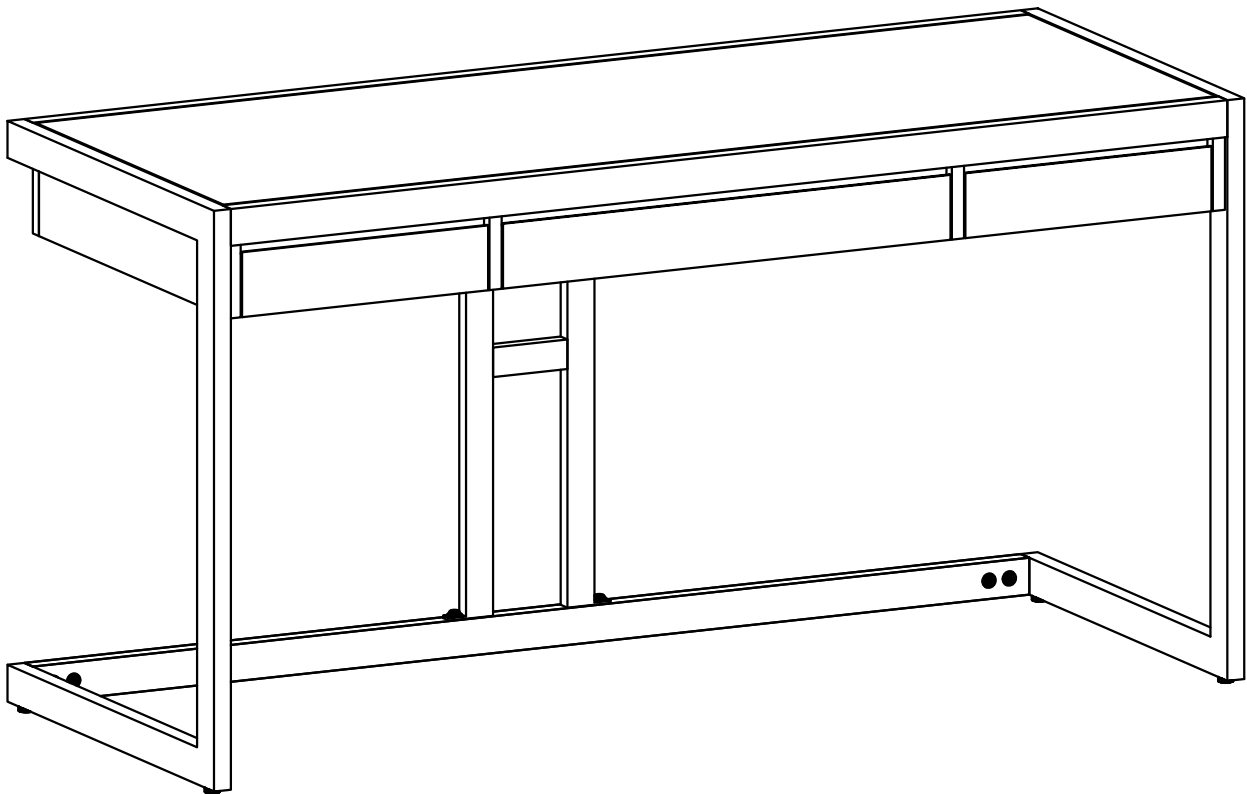


SIMPLIHOME®

Erina / Cecilia / Larny

Desk

Model # AXCERN-14DCB



SIMPLIHOME

Great quality is a right.

Thank you for shopping with Simpli Home,
America's top brand for high-value furniture.



It's time to register your product warranty.

It's quick and easy. And you'll be happy you did.



- ✓ Activate your **1-year** warranty
- ✓ Automatic entry to win a **\$500** gift certificate
- ✓ Earn instant rewards and **save**



simpli-home.com/product-registration

SIMPLIHOME

Review your product and collect rewards!

Thank you for your purchase! We hope you enjoy it. We'd love your feedback. Please share a review and get instant rewards!



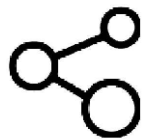
simpli-home.com/product-review



Share photos and get your cash back!



Send us images or share them on social and qualify for instant rewards. You may even receive store credit on your entire purchase!



simpli-home.com/share-images

SIMPLIHOME®

For Fastest Customer Service:



1. Open your phone's camera.
2. Point your phone's camera at the QR code to scan.
3. Click on the pop up.
4. You'll be taken to our customer service page.
5. Fill the form with your order information and issue.
6. Submit form.
7. A customer service associate will contact you.

Other ways to contact us...



Email Us

customerservice@simpli-home.com



Visit Us

Visit our site directly at
www.simpli-home.com



Call Us

1-866-518-0120
Monday to Friday
9am to 5pm EST

***If you've purchased from a retailer and you wish to return the product, please contact the retailer directly.**

IMPORTANT : Please read this manual carefully before beginning assembly of this product. Keep this manual for future reference.

Safety Information

Identify all the parts and hardware. Do not discard of the packaging until you have checked that you have all of the parts and hardware required. Hardware package may have spare parts.

WARNING: This item contains small parts which can be swallowed by children and pets. Keep children and pets away during assembly. To avoid danger of suffocation, always keep plastic bags away from children and pets. We recommend that you assemble this unit on a carpeted floor to avoid scratches. If using power tools, set the tool to low torque to avoid damage.

May require 2 people for ease of assembly.

Care & Maintenance

This furniture is designed for indoor use.

Damage to furniture can come from temperature changes in relative humidity (RH) in our homes. Humid air oxidizes metal which results in rusting, corrosion, tarnishing and roughness. Wood absorbs water as relative humidity rises and falls, and in doing so it swells and shrinks.

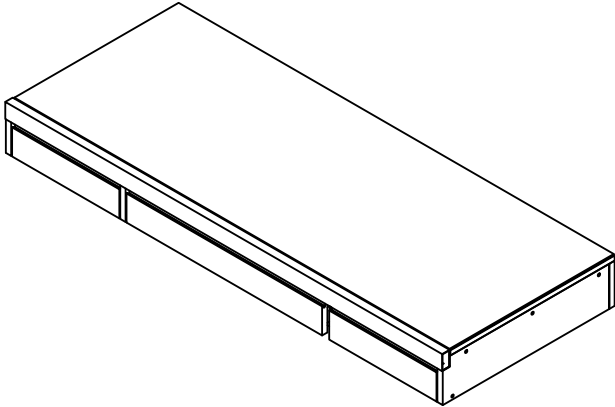
To protect against the humidity effect, the metal is powder coated. The powder coat layer protects the metal from oxidizing, corrosion, tarnishing and scratching and keeps it looking good for years to come. The wood is sealed and lacquered to protect against humidity.

To help protect your furniture, follow these steps:

- Use a humidifier, preferably one with an automatic control system that can sense the humidity level and adjust itself accordingly
- Dust with soft dry cloth
- Wipe up spills promptly
- Clean with a dry cloth
- Do not use abrasive cleaners, chemical solvents, strong detergents, cleaners with bleach, and furniture polish
- Use soft felt base coasters, placemats to help prevent scratches
- Keep furniture out of direct sunlight, which can cause cracking or roughness on the protective layer
- If it can be avoided, do not put furniture near heating vents
- Keep the furniture 3 to 4 inches away from the wall, giving heat and air space to circulate.

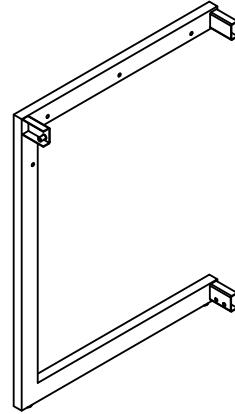
Part Description

A



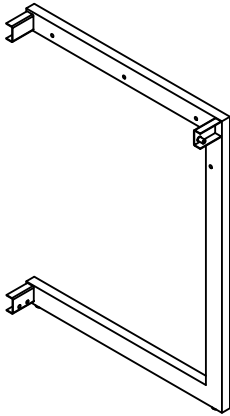
TOP
QTY 1

BL



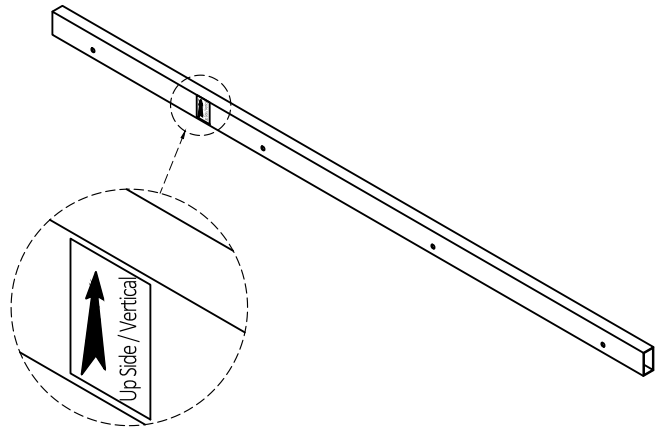
LEFT SIDE
QTY 1

BR



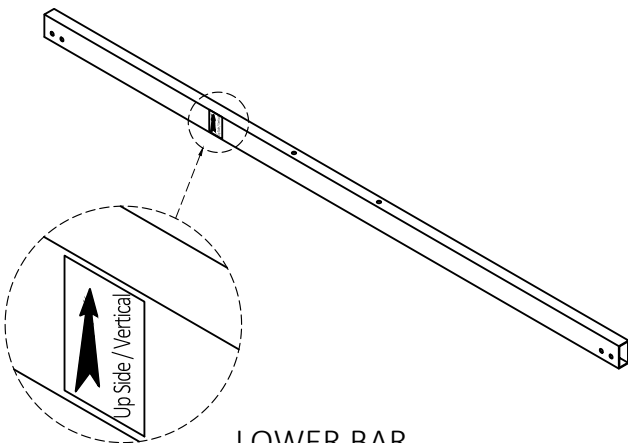
RIGHT SIDE
QTY 1

C



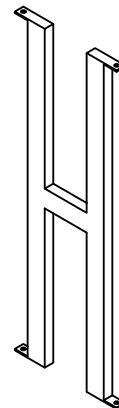
UPPER BAR
QTY 1

D



LOWER BAR
QTY 1

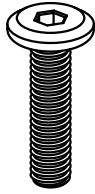
E



BACK FRAME SUPPORT
QTY 1

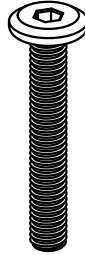
Hardware Description

1



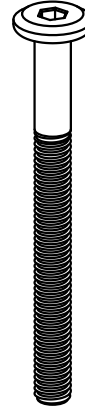
ALLEN KEY BOLT
M6 X 20mm
QTY 14

2



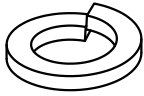
ALLEN KEY BOLT
M6 X 35mm
QTY 6

3



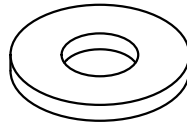
ALLEN KEY BOLT
M6 X 60mm
QTY 6

4



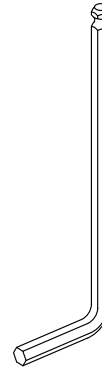
LOCK WASHER
Ø10 / Ø6 x 1.5 mm
QTY 26

5

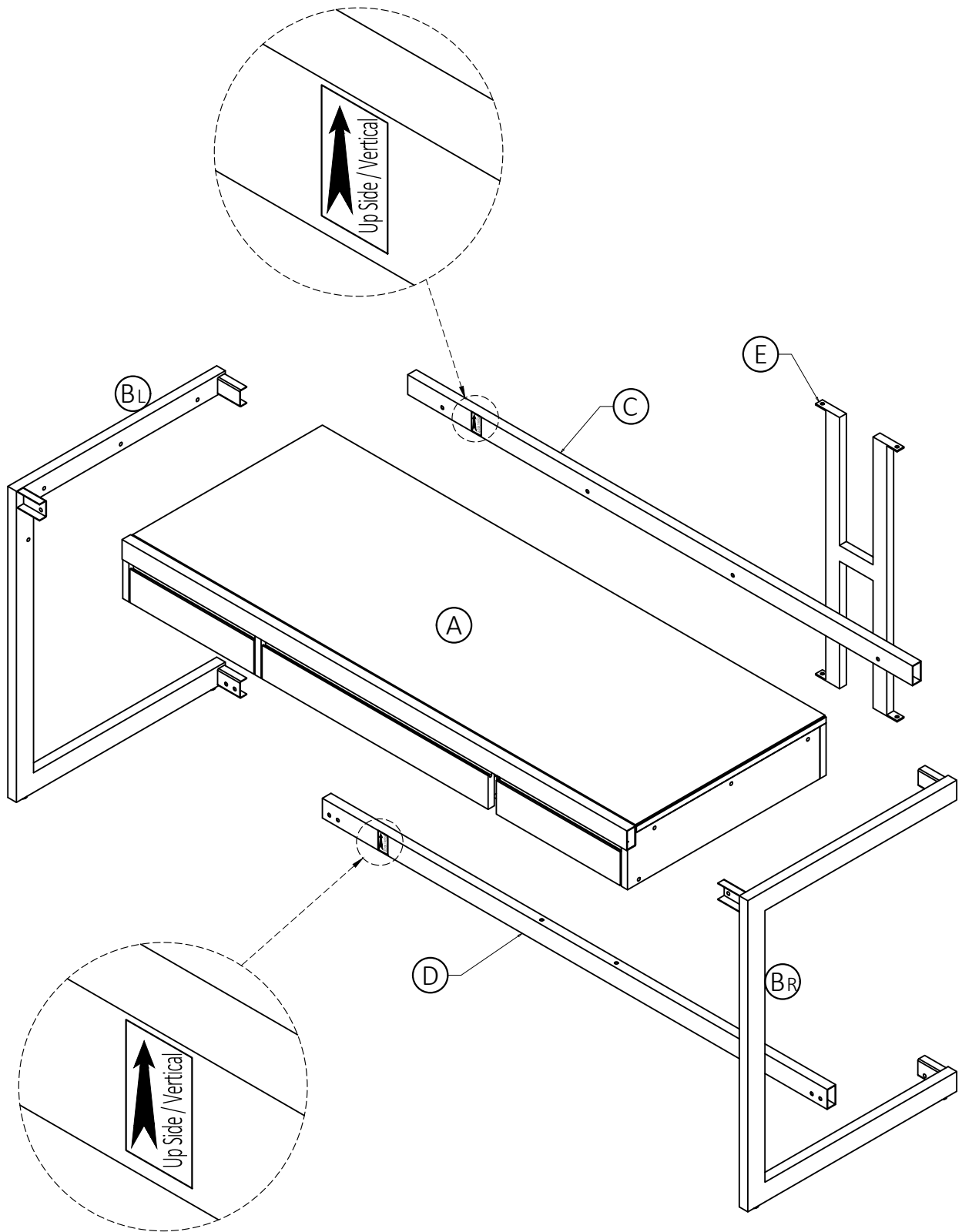


WASHER
Ø16 / Ø6 x 1 mm
QTY 26

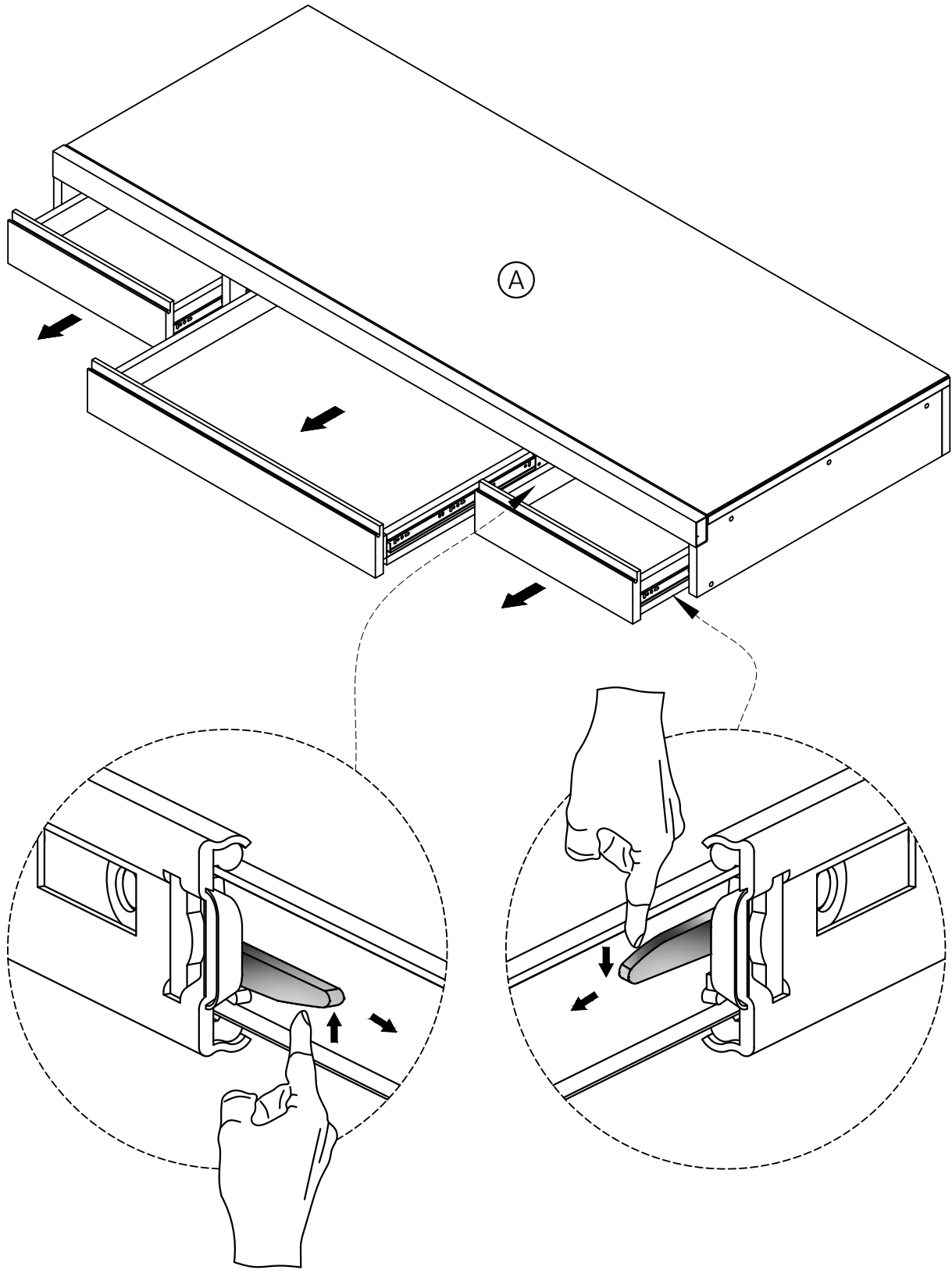
6



ALLEN KEY
QTY 1

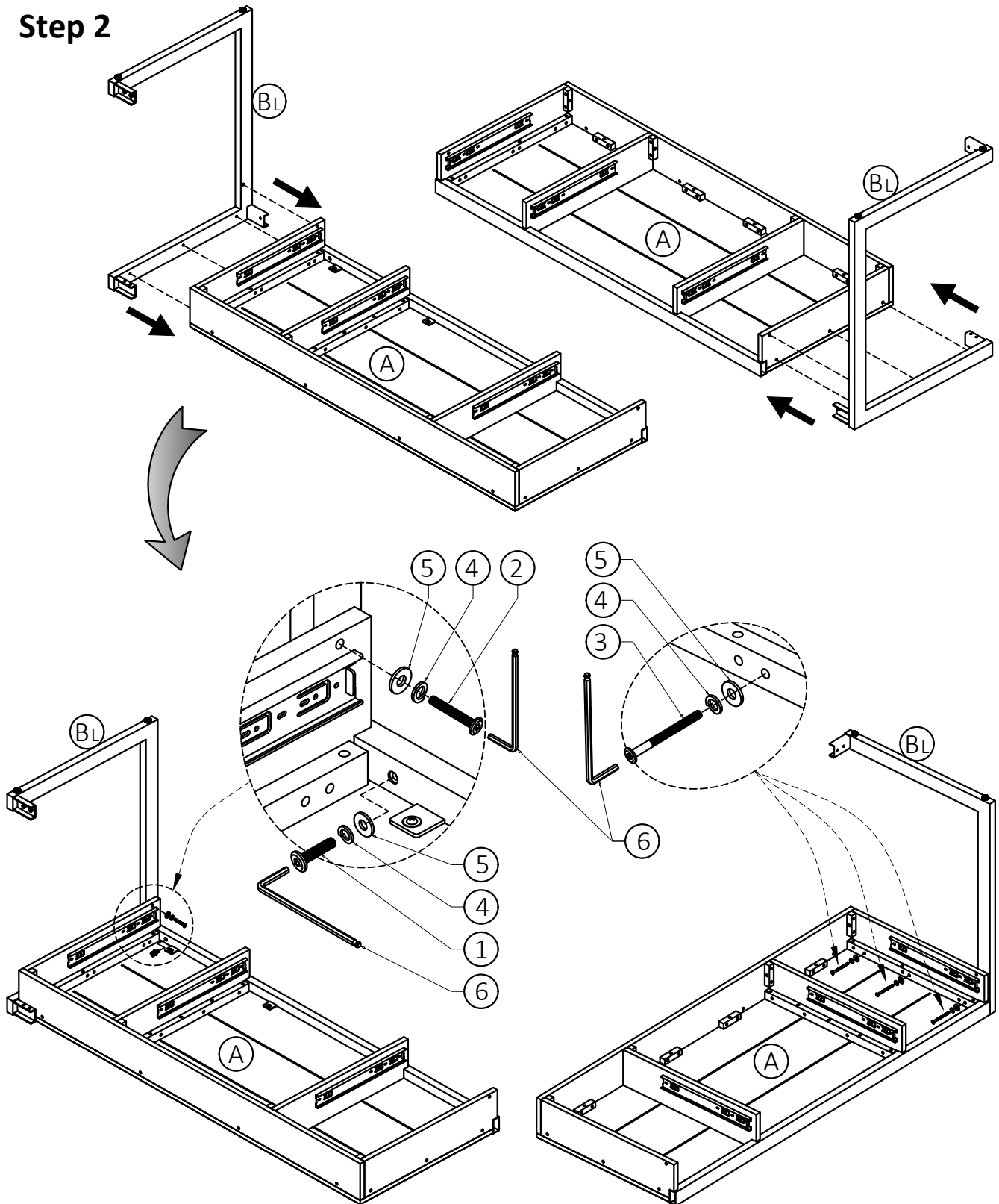


Step 1



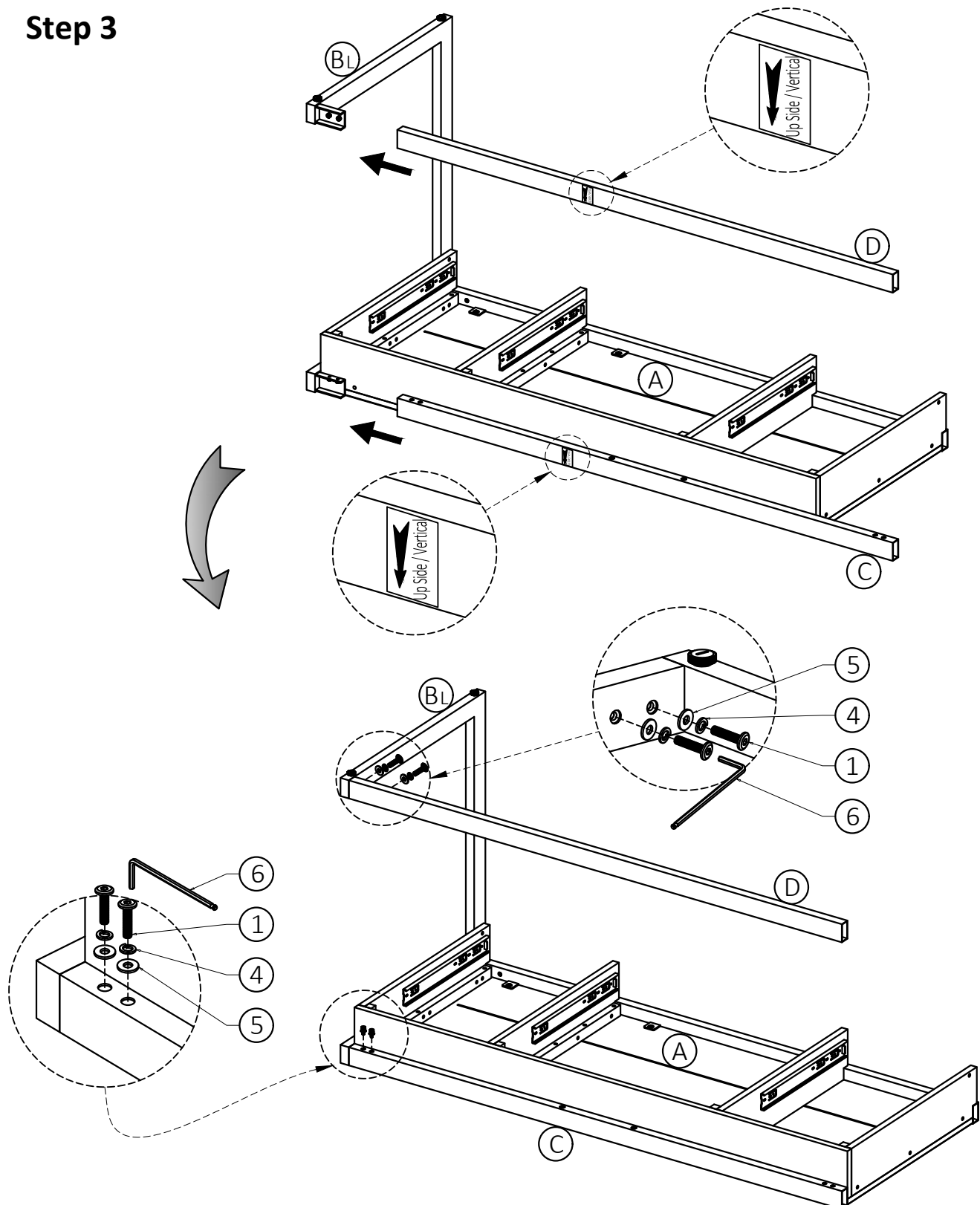
1. Remove the drawers from Top (A) by pressing the locks on the glides.

Step 2



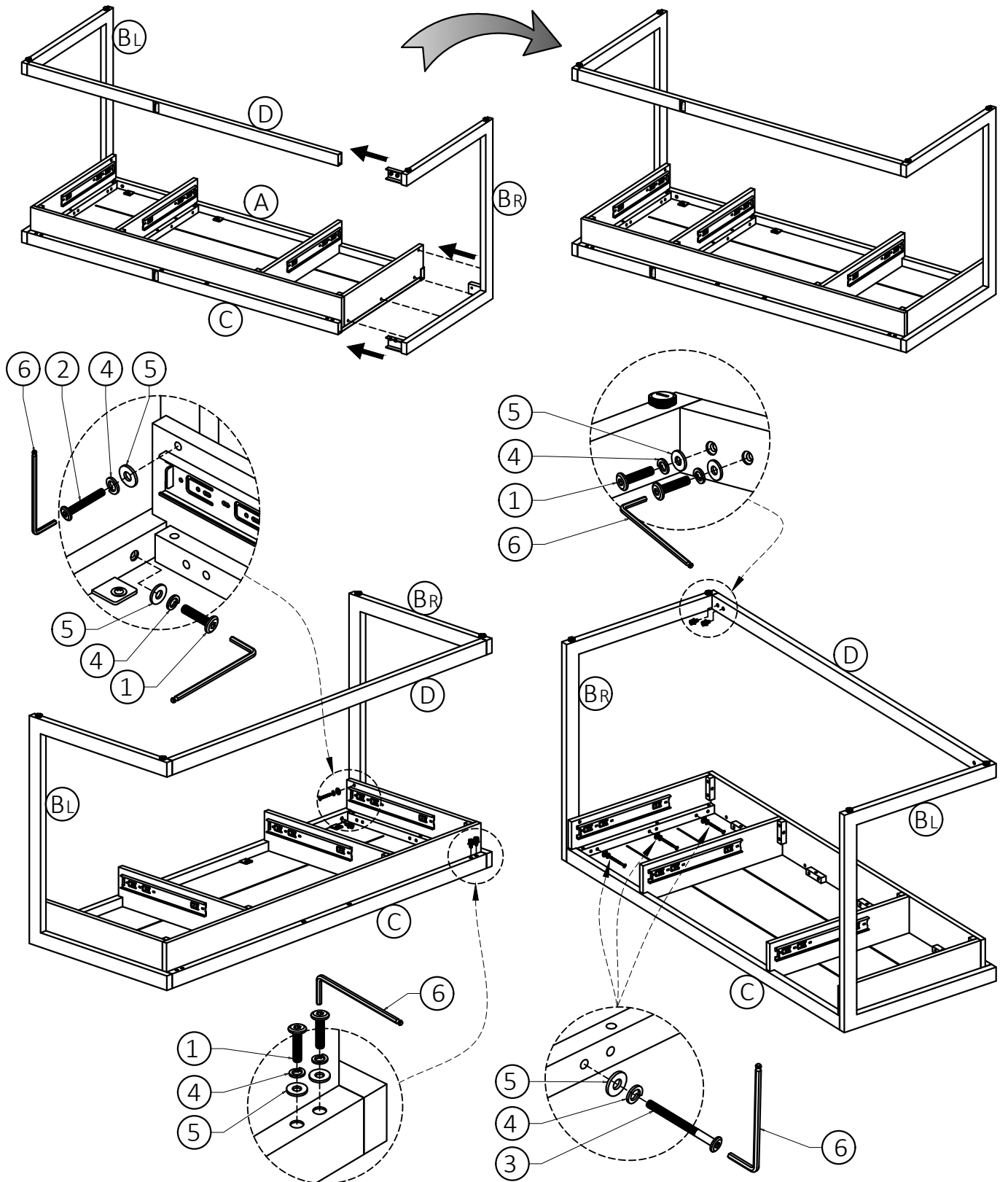
1. Align Left Side (BL) to Top (A).
2. Use three Allen Key Bolts (3), three Lock Washers (4) and three Washers (5) to secure part (A) and (BL).
3. Use one Allen Key Bolt (2), one Lock Washer (4) and one Washer (5) to secure part (A) and (BL).
4. Use one Allen Key Bolt (1), one Lock Washer (4) and one Washer (5) to secure part (A) and (BL).
5. Use Allen Key (6) to tighten Bolts. Do not over-tighten.

Step 3



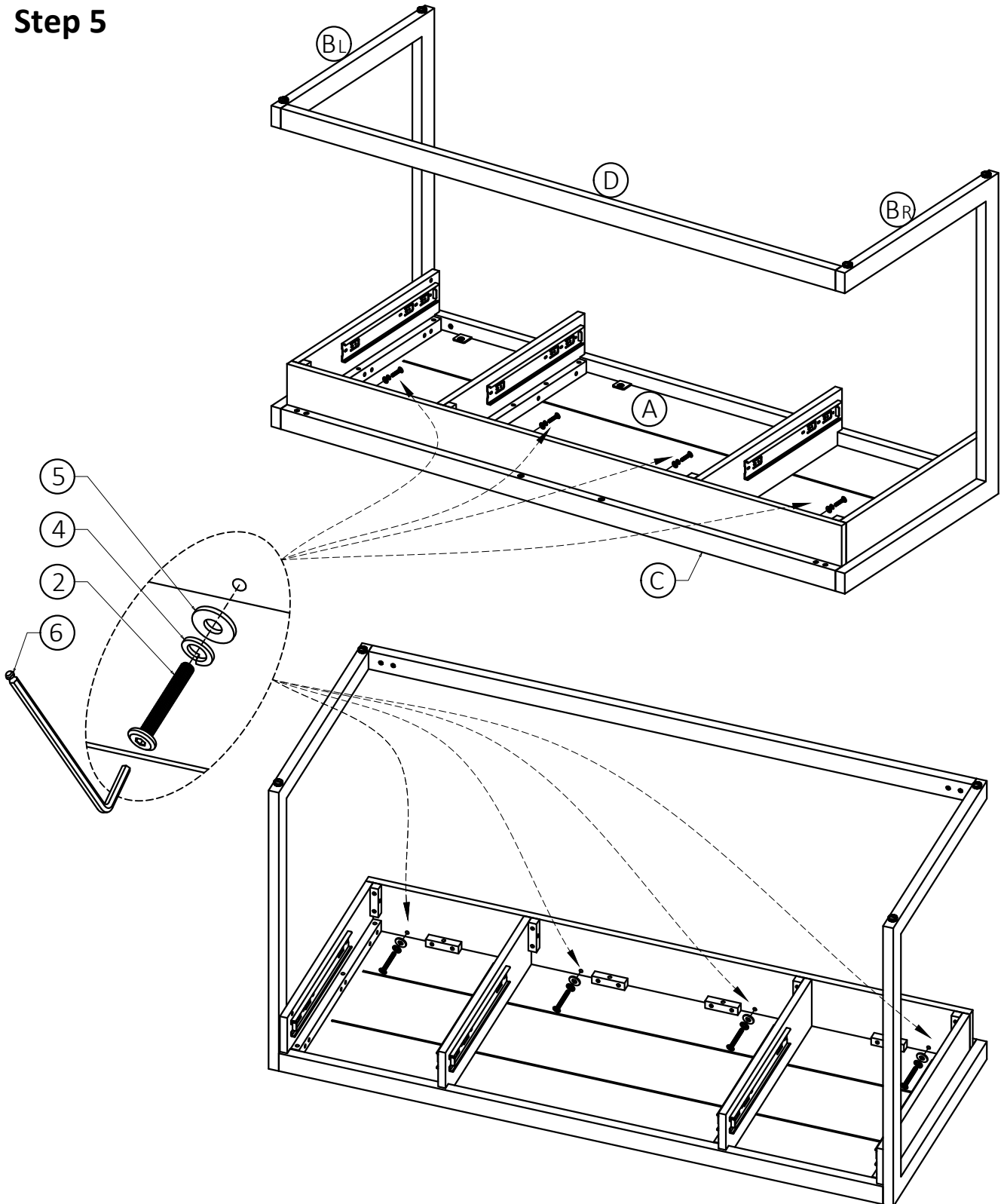
1. Align Upper Bar (C) and Lower Bar (D) to Left Side (BL).
2. Use two Allen Key Bolts (1), two Lock Washers (4) and two Washers (5) to secure part (C) and (BL).
3. Use two Allen key Bolts (1), two Lock Washers (4) and two Washers (5) to secure part (D) and (BL).
4. Use Allen Key (6) to tighten Bolts. Do not over-tighten.

Step 4



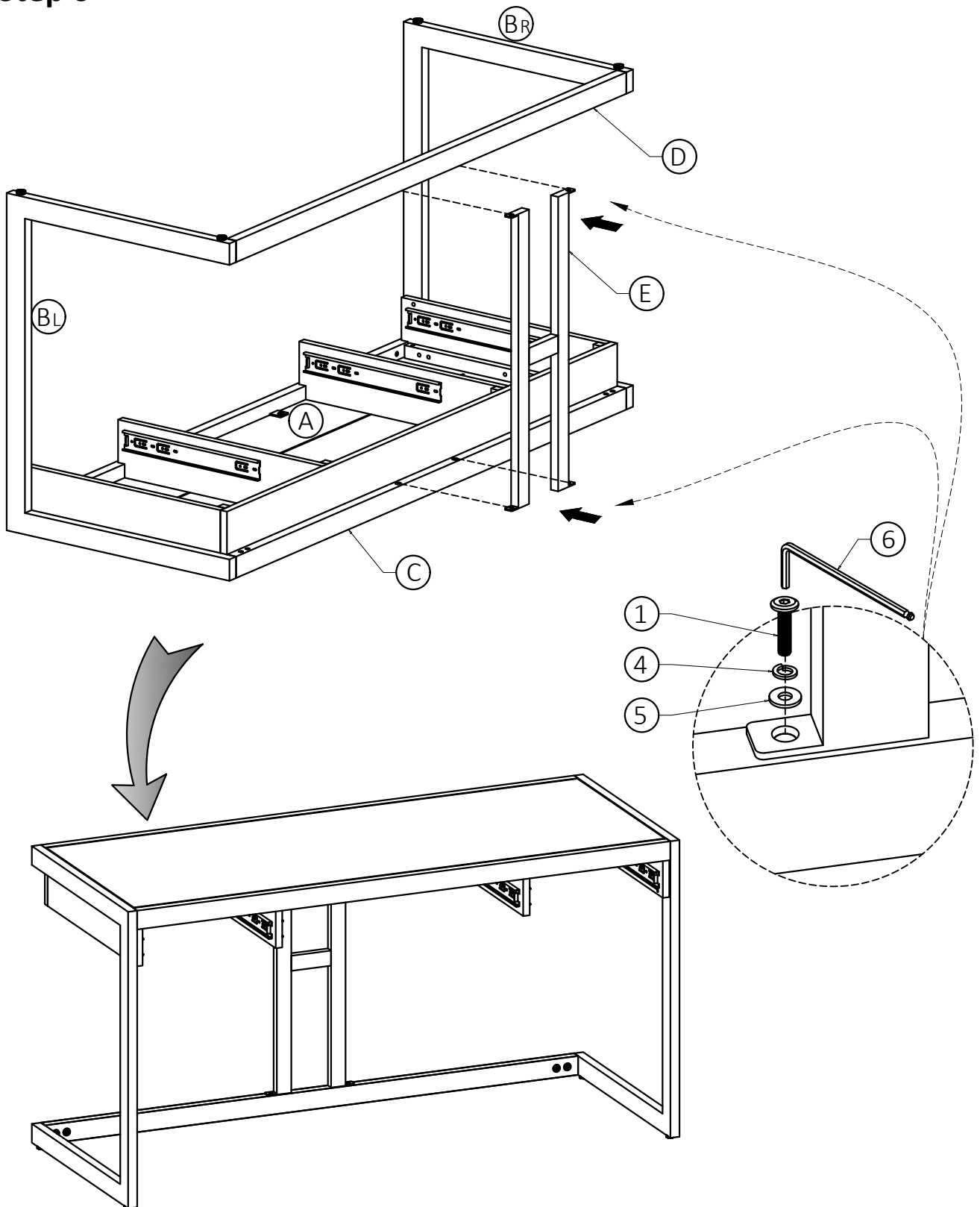
1. Align Right Side (BR) to Top (A), Lower Bar (D) and Upper Bar (C).
2. Repeat Step 3 and Step 4 for Right Side (BR).

Step 5



1. Use four Allen Key Bolts (2), four Lock Washers (4) and four Washers (5) to secure part (C) and (A).
2. Use Allen Key (6) to tighten Bolts. Do not over-tighten.

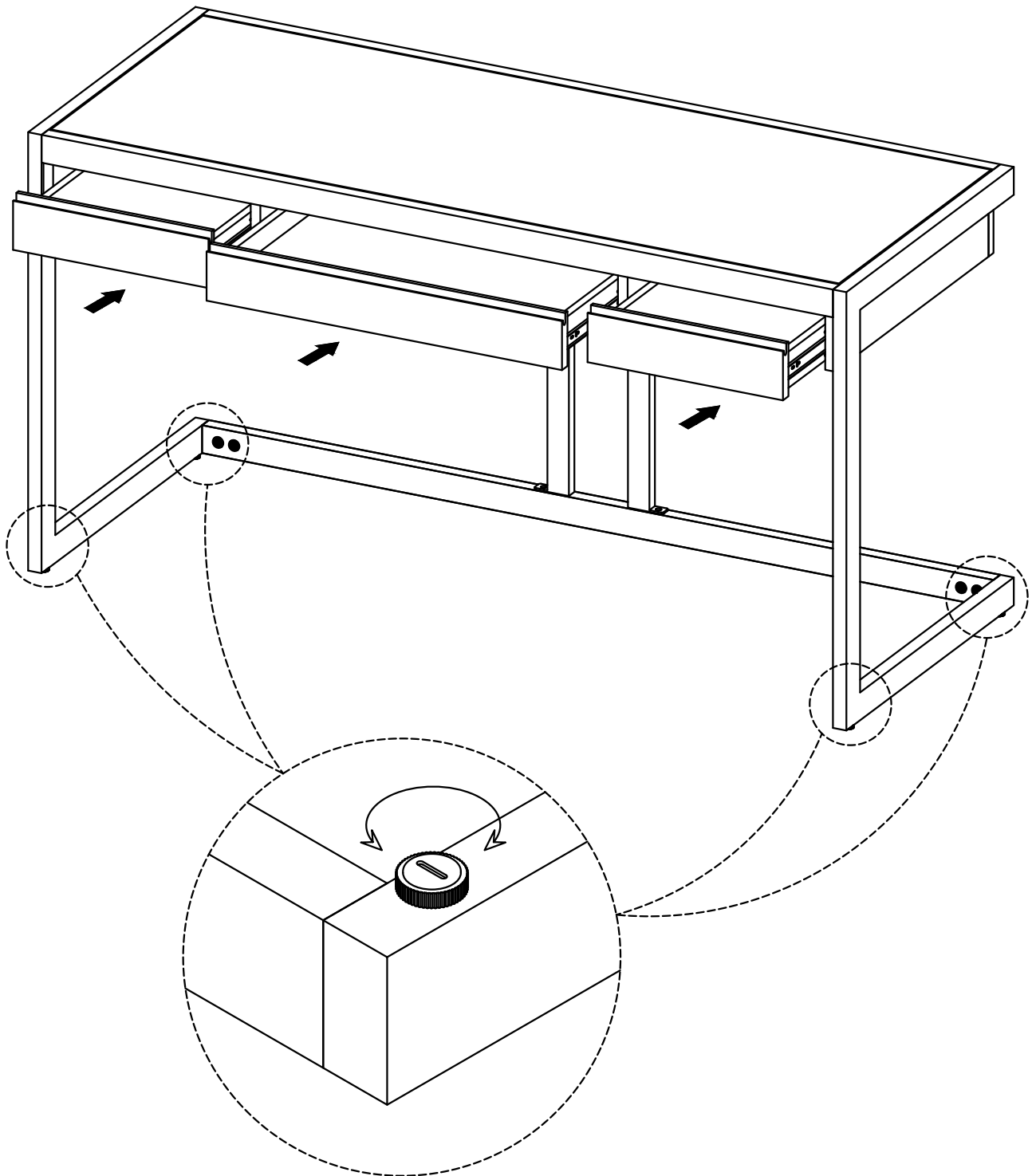
Step 6



1. Attach Back Frame Support (E) to Upper Bar (C) and Lower Bar (D).
2. Use four Allen Key Bolts (1), four Lock Washers (4) and four Washers (5) to secure part (E), (C) with (D).
3. Use Allen Key (6) to tighten Bolts. Do not over-tighten.

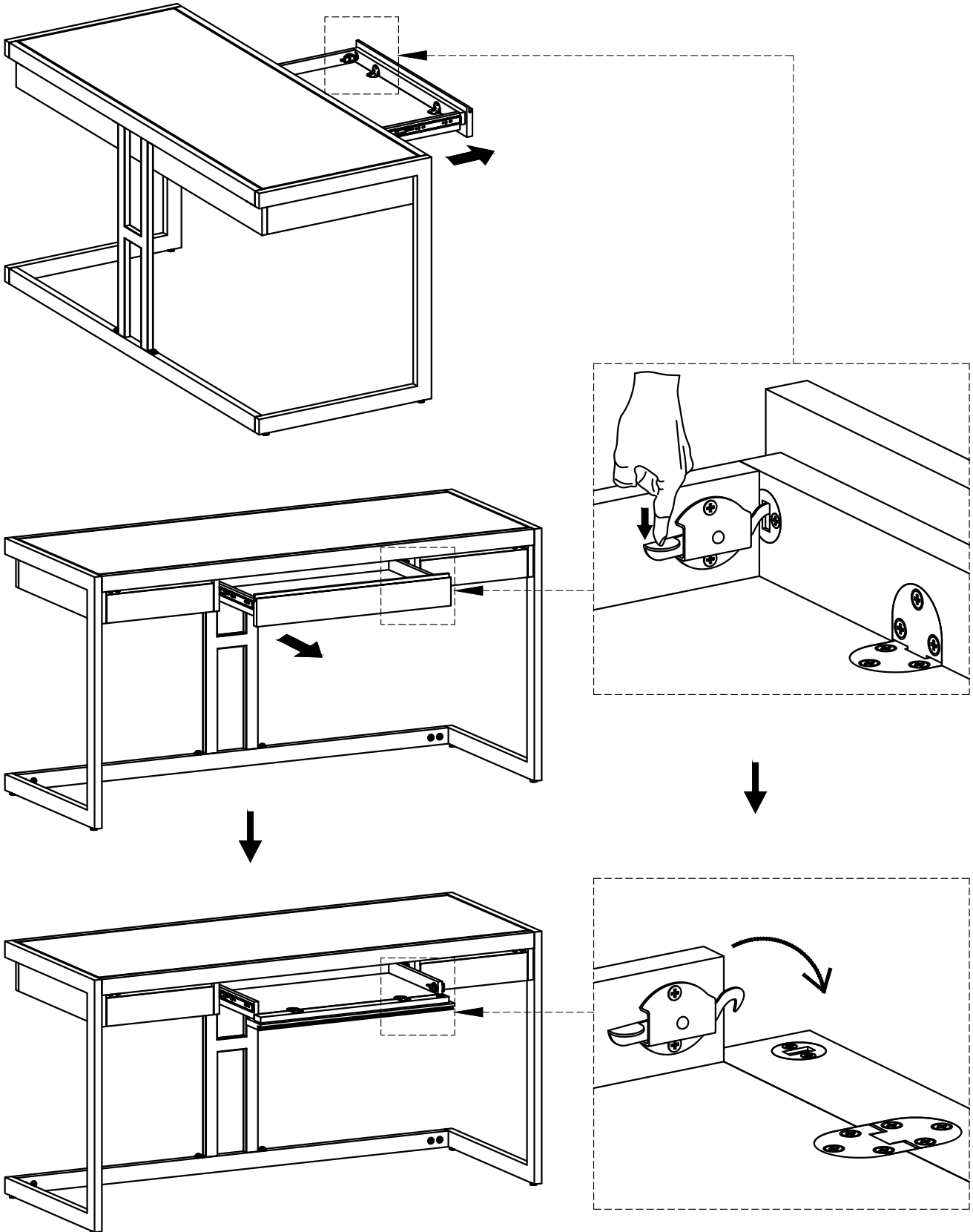
Step 7

1. Insert assembled drawers into glides on assembled desk.
2. Drawers will lock into place with plastic locks on the drawer glides.



Note: Levelers on bottom of legs can be adjusted if floor is uneven.

Step 8



1. **YOU MUST** press the lock on the right of the flip down keyboard tray before opening.