

Pool Breakdown
Martinique 15' Round 52"
NB2610

<p><u>FEATURES:</u> Round Size: 15q Depth: 52+ 25 Year Warranty</p>	<p><u>STRUCTURE COMPOSITION:</u> Rugged Steel Frame Polymer Seat Caps Protective Wall Coatings</p>
--	--

	Qty	Carton #	Carton Content Description
<input type="checkbox"/>	1	1552-7HN-EX-2	MARTINIQUE . 7 INCH TOP SEAT, 7 INCH VERTICAL, INSTRUCTIONS, PAPERWORK
<input type="checkbox"/>	1	15-7P-EX-3	MARTINIQUE . 7 INCH JOINT, 7 INCH SEAT COVER, 7 INCH SEAT COVER BRACKET, SEAT COVER ASSEMBLY BOLT PACKAGE
<input type="checkbox"/>	1	15-5/8 RAIL-2	MARTINIQUE . 5/8 INCH RAIL
<input type="checkbox"/>	1	1552-TRG-W	MARTINIQUE . WALL (TOURING GRAY), PLASTIC EDGING, 52+WALL JOINT PACKAGE

Carton Breakdown

Martinique 15' Round 52"

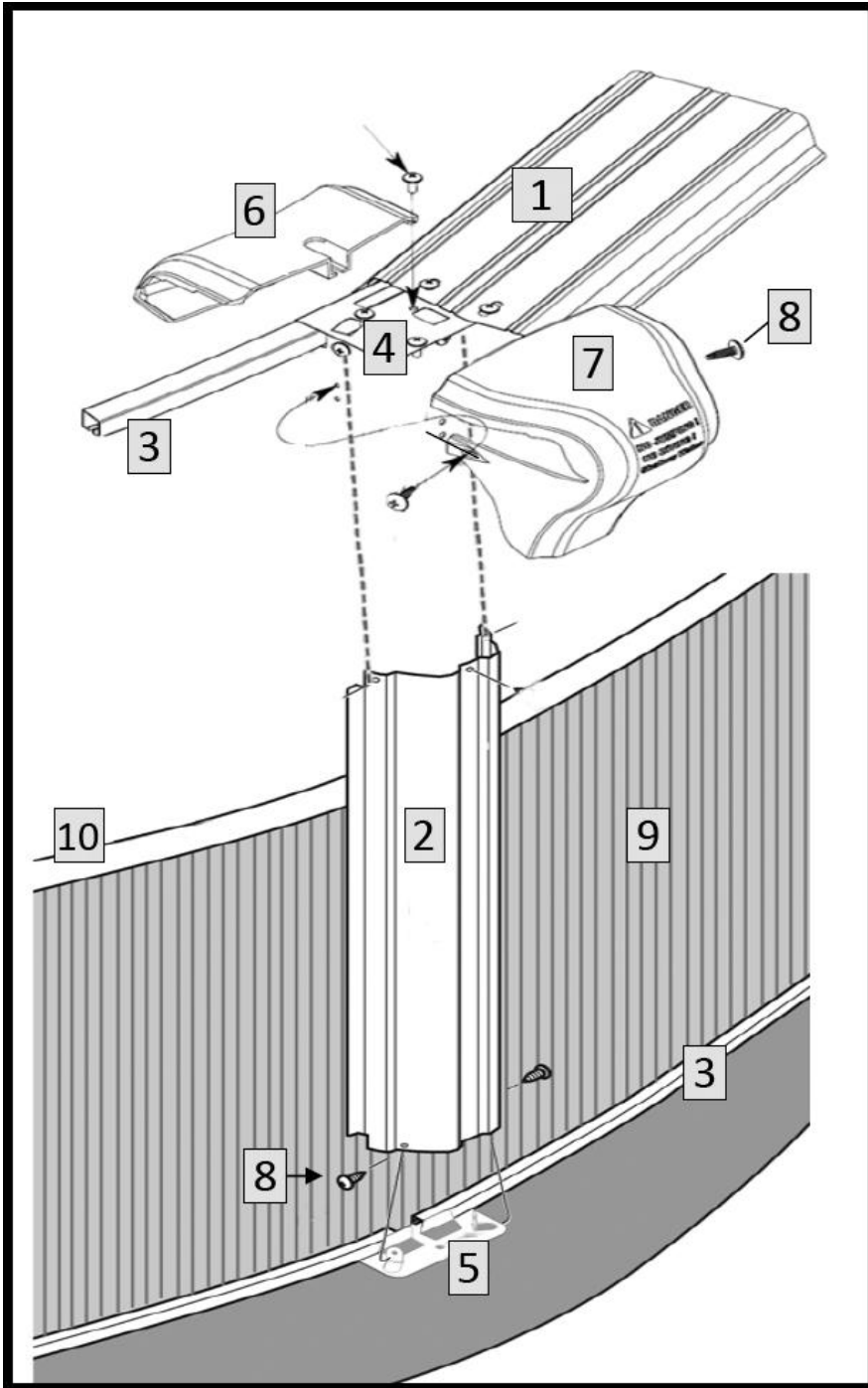
NB2610

Key #	Qty	Item #	Mfg Part #	Part Description	
FRAME CARTON # 1552-7HN-EX-2					
<input type="checkbox"/>	1	10	NBP1050	1174EX	7in Top Seat L=1444 (56-7/8+) 15ft
<input type="checkbox"/>	2	10	NBP1053	2374EX	7in Vertical (52+High)
<input type="checkbox"/>	---	1	-----	0022	Warranty
<input type="checkbox"/>	---	1	-----	0023	Safety Decals
<input type="checkbox"/>	---	1	-----	0024	Parts List + Frame Instruction
<input type="checkbox"/>	---	1	-----	0025	Safety Booklet
<input type="checkbox"/>	---	1	-----	0001	Round Instruction Manual
FRAME CARTON # 15-5/8 RAIL-2					
<input type="checkbox"/>	3	20	NBP1025	1615	5/8in Rail L=1431mm (56-3/8+)
FRAME CARTON # 15-7P-EX-3					
<input type="checkbox"/>	4	10	NBP1061	2176	7in Resin Joint - Upper
<input type="checkbox"/>	5	10	NBP1062	2276	7in Resin Joint - Lower
<input type="checkbox"/>	6	10	NBP1064	2475EX	7in Seat Cover - Inside
<input type="checkbox"/>	7	10	NBP1065	2476EX	7in Seat Cover - Outside
<input type="checkbox"/>	8	1	NBP1111	0341	SEAT COVER ASSEMBLY BOLT PACKAGE #12 Sheet Metal Screw (120)
WALL CARTON # 1552-TRG-W					
<input type="checkbox"/>	9	1	PC5215	52+Wall	Touring Gray Wall
<input type="checkbox"/>	10	11	NL107	8100	Plastic Edging
52" Wall Joint Bolt Package (Part # 0113, Order # NBP1021)					
<input type="checkbox"/>	3	26	NBP1021	0513*	¼+x ½+Truss Head Screw
<input type="checkbox"/>	3	51	NBP1021	0411*	¼+Reinforcing Washer
<input type="checkbox"/>	3	26	NBP1021	0611*	¼+Nut

*These part #s are not available to purchase separately. They must be purchased as the Wall Joint Bolt Package, Order # NBP1021

Martinique 15' Round 52"

NB2610



Key #	Part Description	Item #
1	Top Seat	NBP1050
2	7in Vertical	NBP1053
3	5/8in Rail	NBP1025
4	7in Resin Joint - Upper	NBP1061
5	7in Resin Joint - Lower	NBP1062
6	7in Seat Cover - Inside	NBP1064
7	7in Seat Cover - Outside	NBP1065
8	Assembly Hrdwr.	NBP1111
9	Wall	PC5215
---	Wall Joint Hrdwr.	NBP1021
10	Plastic Edging	NL107