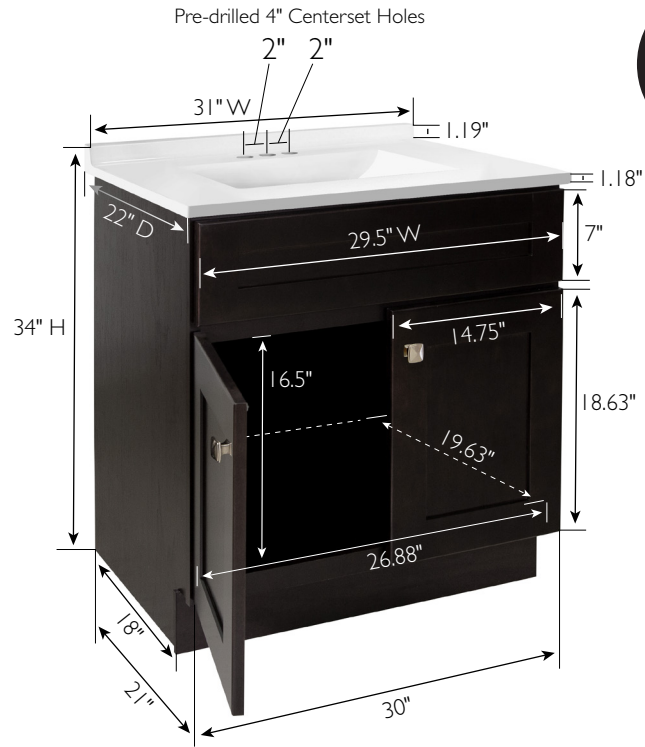


Brookings Shaker 2-Door Vanity with Cultured Marble 4 in. Centerset  
Solid White Top, Assembled, 31x22, Espresso Base



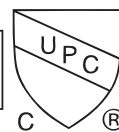
**FULLY  
ASSEMBLED  
VANITY**

## SPECIFICATIONS

|                                |                       |
|--------------------------------|-----------------------|
| MATERIAL CONSTRUCTION:         | Wood/Cultured Marble  |
| ASSEMBLY REQUIRED:             | No                    |
| ASSEMBLED DIMENSIONS:          | 34" H x 31" L x 22" D |
| ASSEMBLED WEIGHT:              | 100 lbs.              |
| TOOLS NEEDED FOR INSTALLATION: | 100% Silicone         |
| CONSTRUCTION TYPE:             | Face Frame            |
| HINGE STYLE:                   | Soft Close            |
| DOOR STYLE:                    | 2 Shaker Doors        |
| FACE FRAME MATERIAL:           | Solid Wood            |
| SIDES MATERIAL:                | Plywood               |
| BOTTOM MATERIAL:               | Plywood               |

|                           |                          |
|---------------------------|--------------------------|
| TOE KICK INSET WIDTH:     | 3"                       |
| BACK PANEL MATERIAL:      | Plywood                  |
| BACK BRACE MATERIAL:      | Solid Wood               |
| FAUCET TYPE:              | Lav Centerset            |
| NUMBER OF MOUNTING HOLES: | 3                        |
| BOWL MATERIAL:            | Cultured Marble          |
| BACK SPLASH INCLUDED:     | Yes                      |
| COLOR:                    | Solid White              |
| NUMBER OF BOWLS:          | 1                        |
| BOWL DIMENSIONS:          | 5.4" x 11.8" W x 17.7" D |
| BOWL SHAPE:               | Rectangle                |
| SINK THICKNESS:           | 1.18"                    |
| MOUNTING TYPE:            | Centerset                |
| OVERFLOW HOLE:            | Yes                      |

|                               |                         |
|-------------------------------|-------------------------|
| WARRANTY:                     | 1-Year limited warranty |
| TSCA TITLE IV COMPLIANT:      | Yes                     |
| LEGAL FOR SALE IN CALIFORNIA: | Yes                     |
| PROP 65 HARMFUL MATERIAL:     | Formaldehyde            |



TYPE:  
JOB:  
ORDER CODE:  
APPROVALS: