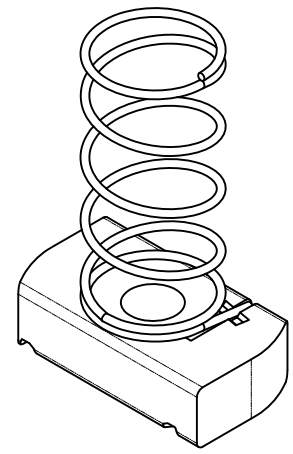
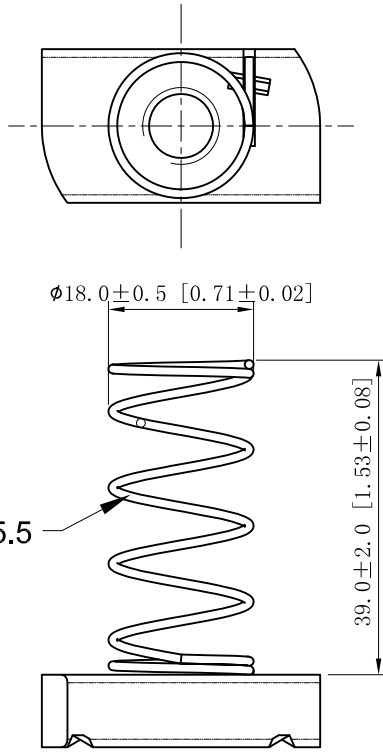
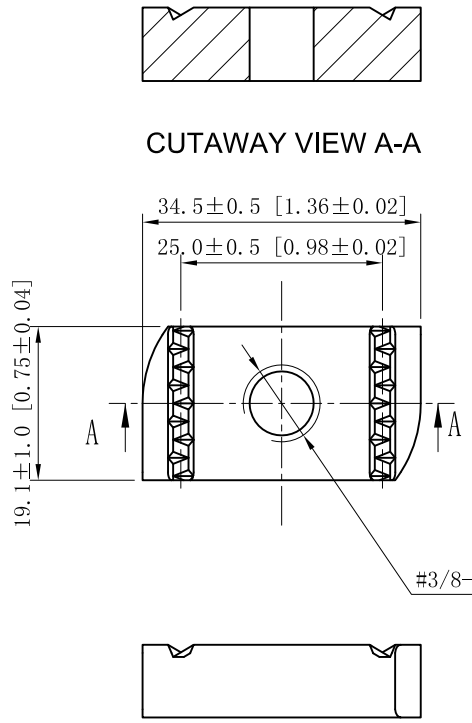


SIDES	BOTTOM
Material: Steel-0.385"- Q235, Zinc plated	



spring coil number: 5.5

#3/8-16 UNC HOLE

This data sheet is for reference only .GARVIN INDUSTRIES reserves the right to make changes to the design without prior notice.

DESCRIPTION
TRADE REFERENCE TERMS

STANDARD PACKING
50 PCS

<h1>GARVIN INDUSTRIES</h1>		
TITLE		
SIZE	DWG NO.	REV
A4	SNRS3816	
DATA SHEET		