

BOSS[®]
AUDIO SYSTEMS

FULLY
MARINIZED

MPWT60RGBW

USER MANUAL

6.5" (165 MM) 2-WAY MARINE/
POWERSPORTS ROLL CAGE/WAKETOWER SPEAKER PODS
FEATURING MULTICOLOR ILLUMINATION OPTIONS & EFFECTS
PLUS WIRELESS RF REMOTE CONTROL



INCLUDES WIRELESS RF
REMOTE CONTROL
WITH KEYCHAIN TAG



MPWT60RGBW

6.5" (165 mm) 2-Way Marine/
Powersports Roll Cage/
Waketower Speaker Pods

Congratulations on your purchase of a BOSS product.

It has been engineered to bring you the highest level of performance. Its quality will afford you years of listening pleasure.

Thank you for making BOSS your choice for audio entertainment!

Specifications

Mid Bass Driver:

6.5" (165 mm)
Poly injection cone
Rubber surround

Tweeter:

1" (25 mm) PEI dome tweeter

Crossover network:

Built-in

Impedance:

4 Ohms

Power Handling:

Max 600 Watts

Frequency Response:

140Hz - 20kHz

Sensitivity:

93dB (1 watt/1 meter)

Dimensions (W x H x D):

7.17" x 11.22" x 7.24"
(182 x 285 x 184 mm)

Gross Weight (excl. gift box):

10.6 lbs (4.8 kg)

All specifications are subject to change without notice.

USER MANUAL

Introduction

Your new MPWT60RGBW waketower speakers are high-power, fully-waterproof 2-way systems featuring 6.5" drivers and a 1" PEI dome tweeter. Both speakers have LED lights which can be controlled by the supplied remote control.

BOSS understands that wake tower speakers are used in many different types of installations. Our versatile mounting solutions give you the ability to attach our wake tower speakers to mounting tubes with diameters of 2.25" - 3" (57 - 76mm).

What is included?

Before you begin installation, please check that your product contains the following contents:

- (2) Speaker pod with male LED connector
- (4) 175x14x1mm rubber mounting strip
- (2) 175x14x2mm rubber mounting strip
- (2) 175x14x4mm rubber mounting strip
- (2) 49x40x2mm rubber mounting pad
- (2) 49x40x4mm rubber mounting pad
- (4) 3" mounting aluminum band for 3" and 2.75" installation.
- (4) 2.5" mounting aluminum band for 2.5" and 2.25" installation.
- (4) M6 locknut
- (4) M6 flat washer
- (4) M6x75mm screw
- (1) LED power wire
- (1) LED connection wire with female connector
- (1) Remote control
- (1) Keychain tag

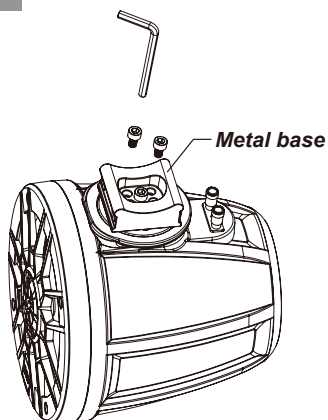
Safety considerations when installing

Please remember that these are heavy products that will be installed in a boating environment. These vehicles can travel at high speeds and be unstable. So please consider this and use extreme caution.

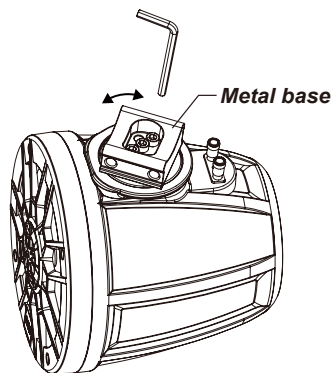
Some safety considerations include:

- 1- Do not mount the speakers in a location where someone may either walk into or strike their head. During a turbulent ride, please make sure that you do not loosen footing and fall or hit the unit, or it may cause injury.
- 2- Secure the wires to the speakers in multiple locations along their route to your audio source, so that there are no hanging loops of wire. Having unsecured wires in any hanging conditions can cause entanglement and injury.
- 3- Tighten the aluminum bands with rubber inserts using care. Do not over compress the rubber inserts. After installation is complete, please recheck all bolts and tighten them further if needed before taking your boat or vessel out for an audio adventure.
- 4- Do not install these speakers where they may block the view of the pilot and prevent safe operation of the vessel or vehicle.

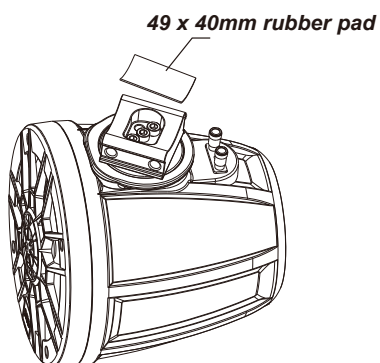
It is strongly recommended that you work with an assistant to install these speakers.

Installation instructions**STEP1**

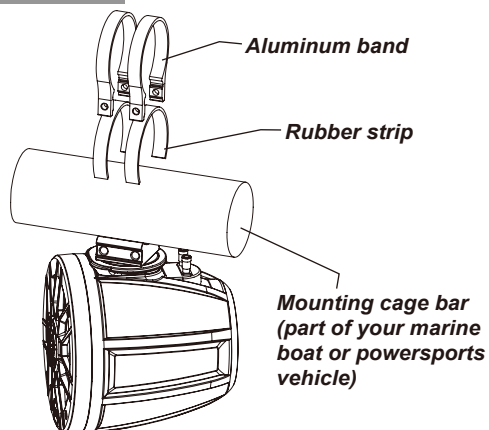
To adjust the mounting angle, loosen the metal base of the mounting band by unbolting the two screws. Make sure to put all components of the mounting hardware in a safe location.

STEP2

Twist the metal base to determine the optimal mounting angle for the speaker on the cage bar. Then secure the metal base by tightening the two screws.

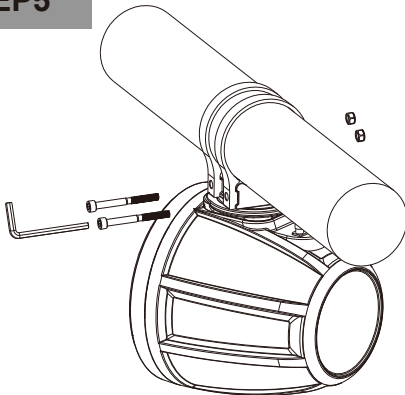
STEP3

Place a supplied rubber (49 x 40 mm) pad on the metal base of the mounting band to prevent abrasion and secure clamping.

STEP4

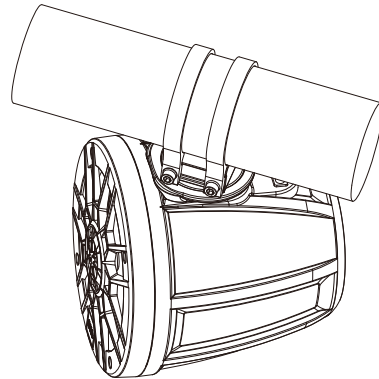
Place a supplied rubber strip around the cage bar to prevent abrasion and secure clamping. Then push two supplied aluminum bands over the cage bar, and align the aluminum bands with the metal base on the speakers.

STEP5



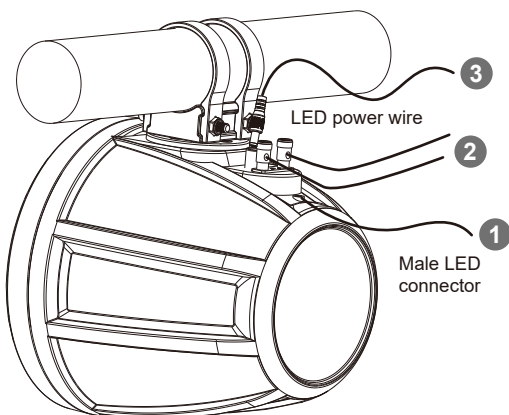
As illustrated, secure the aluminum bands to the metal base using a pair of M6 x 75mm screws, M6 flat washers, and M6 locknuts. The locknuts must be installed into the hex shaped recess on one end of each aluminum band. Hand-tighten the screws to the degree which allows just enough freedom to rotate the speaker around the cage bar.

STEP6



Speaker installation now completes.

Wiring



Warning:

- For safety, disconnect the negative terminal from the source battery prior to wiring.
- Note your amplifier impedance stability prior to wiring.
- Use only high quality marine-grade speaker wires. Make sure wires are not squeezed or damaged by sharp edges.

1 LED wire connection

Using the supplied LED connection wire with female connector, connect the two speakers through the male LED connectors.

2 Speaker wire connection

Using speaker wires (not included), connect the two speakers to the audio outputs on your 12V amplifier. Make sure to observe polarity.

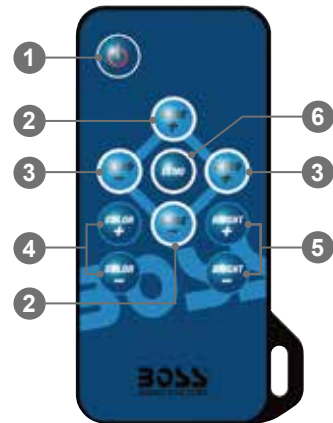
3 LED power connection

Connect one end of the supplied LED power wire to the power input on the speaker, and the other end to the 12V source battery (red color to the positive terminal, black to the negative terminal).

LED light control

The product comes with a remote control for you to control the RGB LED lights on both speakers. Keep the remote control safely using the supplied keychain tag.

- 1 Power on/off**
Turn on or off illumination. Make sure the LED power wire is connected to the source battery.
- 2 MODE +/-**
Switch from static to dynamic illumination and select a dynamic illumination pattern.
- 3 SPEED +/-**
Switch from static to dynamic illumination and select a dynamic illumination speed.
- 4 COLOR +/-**
Switch from dynamic to static illumination and select an illumination color.
- 5 BRIGHT +/-**
Switch from dynamic to static illumination and change the illumination intensity.
- 6 DEMO**
Cycle through red, green and blue illumination.



Battery replacement

The remote control is powered by a CR2025 coin battery. If the battery is depleted, replace it with a new CR2025 coin battery.

1. Find the battery compartment at the back of the remote control. Pull the battery tray out.
2. Load a new battery with correct polarity as shown on the tray.
3. Replace the battery tray. Make sure the tray is securely inserted.

Important notes on battery

- Danger of explosion if the battery is incorrectly replaced. Replace only with the same type or equivalent type. Observe correct polarity while inserting the battery.
- Do not leave the battery near fire or under direct sunlight. Do not place the remote control in hot places (e.g. on the dashboard). This may cause fire, explosion or excessive heat.
- Remove the battery from the remote control if it is not used for a long time to avoid battery leakage.
- Do not recharge, dismantle or short-circuit the battery or throw it into fire. This may cause a risk of explosion or battery leakage. If spilled fluid comes in contact with your skin or clothing, immediately rinse with water and consult a doctor.
- The remote control contains a coin/button type battery, which can be swallowed. Keep the battery out of reach of children at all times! If swallowed, the battery can cause serious injury or death. If you suspect that a battery has been swallowed or placed inside any part of the body, seek immediate medical attention.

BOSS[®]
AUDIO SYSTEMS



BOSS Audio Systems
3451 Lunar Court • Oxnard, CA 93030
www.bossaudio.com
805-751-4853 Customer Service
Tech Support: www.bossaudio.com/support



0122